

MR and MR D Series Installation Guide

This guide provides procedures for installing and modifying the Extron MR (standard) and MR D (Decora®) series plastic mounting brackets (mud rings).

Mud Ring Components

Each mud ring kit includes an expansion kit consisting of two small top/bottom segments that allow the bracket to be enlarged or reduced to the next larger or smaller gang size. (See "Modifying a Mud Ring," on the next page.)

Figure 1 shows the parts of the MR/MR D mud rings.

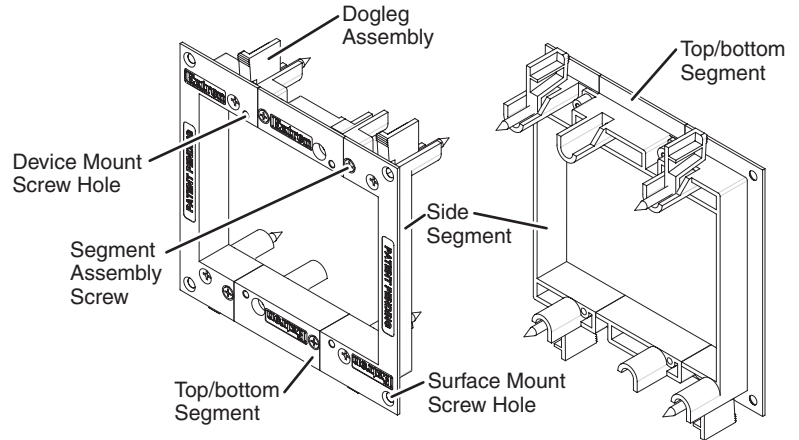


Figure 1 — MR mud ring elements

Installation

Determining the installation location

The UL-listed MR series mud rings do not need to be fastened to wall studs, so they can be placed almost anywhere on a wall or other mounting surface. When you are deciding where to install the device and mud ring, consider the placement of the cable(s) and access. You may need to install the cables before you install the bracket.

NOTE The mud rings fit properly in hollow wall thicknesses ranging from 1/4" (0.63 cm) to 1" (2.5 cm).

WARNING The MR series mud rings are UL-listed for low-voltage applications only.

Preparing the site and installing the mud ring using the doglegs

1. See the to-scale cutout template included with the mud ring to determine the cutout dimensions for your mud ring. Tear the cutout template along the perforations for the appropriate mud ring size.
2. Place the template against the surface to be cut, using a level, if necessary, to keep the template even. Trace around the template.
3. Carefully cut away the mounting surface material inside the traced template lines.
4. Test the fit of the mud ring. The doglegs should fit easily into the hole and the flat portion should rest flush against the wall. See the note in figure 2, at right.
5. Rotate all doglegs **inward**.
6. Insert the mud ring into the hole.
7. Tighten all of the dogleg screws until the doglegs clamp the mud ring to the mounting surface. Do not overtighten.

Standard mud rings only: If you are going to screw the mud ring to the surface, rather than using the detachable doglegs, mark the four surface mounting screw holes at the corners of the mud ring. See figure 2, at right.

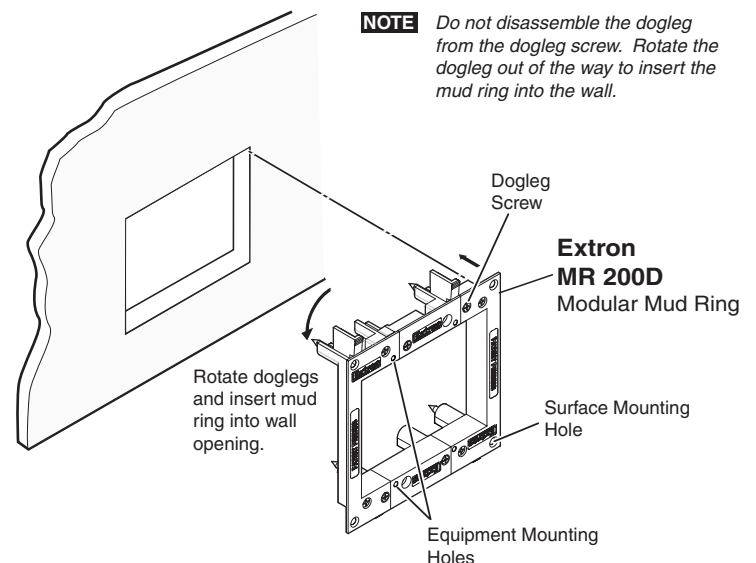


Figure 2 — Installing an MR mud ring

MR and MR D Series Installation Guide

Modifying a Mud Ring

Each mud ring size can be modified to make the mud ring one gang-size larger or smaller (figure 3). You can resize the mud ring by either adding a top and bottom segment, removing a top and bottom segment (2- through 7-gang size only), or replacing one size top and bottom segment with another.

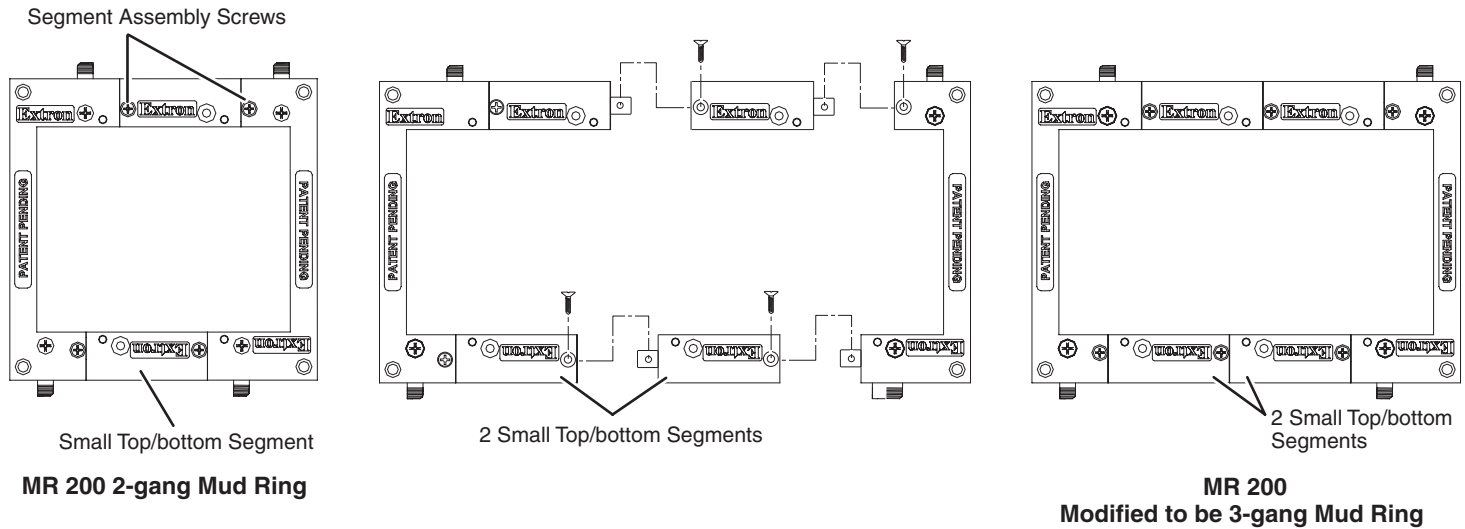


Figure 3 — Modifying an MR mud ring

NOTE The 1-gang mud ring cannot be made smaller.

Modify the mud ring as follows:

1. As necessary, remove the segment assembly screws that hold the segments together, and add, remove, or replace a top segment and a bottom segment.

NOTE For example, to modify an MR 300 to be a 4-gang mud ring, add one small segment on the top and bottom. To modify the same MR 300/MR 300D to be a 2-gang mud ring, replace the large segments on the top and bottom with small segments.

2. Replace and install new segment assembly screws as necessary.

Part Numbers

The MR/MR D Series mounting brackets (mud rings) are available in the following configurations:

Name	Description	Part number
MR 100	1-gang mud ring, black or white	70-519-12 or -13
MR 100D	1-gang Decora® style mud ring, black	70-581-12
MR 200	2-gang mud ring, black or white	70-519-22 or -23
MR 200D	2-gang Decora style mud ring, black	70-581-22
MR 300	3-gang mud ring, black or white	70-519-32 or -33
MR 300D	3-gang Decora style mud ring, black	70-581-32
MR 400	4-gang mud ring, black or white	70-519-42 or -43
MR 500	5-gang mud ring, black or white	70-519-52 or -53
MR 600	6-gang mud ring, black or white	70-519-62 or -63
MR 700	7-gang mud ring, black or white	70-519-72 or -73



Extron Electronics, USA
1230 South Lewis Street
Anaheim, CA 92805
800.633.9876 714.491.1500
FAX 714.491.1517

Extron Electronics, Europe
Beeldschermweg 6C
3821 AH Amersfoort, The Netherlands
+800.3987.6673 +31.33.453.4040
FAX +31.33.453.4050

Extron Electronics, Asia
135 Joo Seng Rd. #04-01
PM Industrial Bldg., Singapore 368363
+800.7339.8766 +65.6383.4400
FAX +65.6383.4664

Extron Electronics, Japan
Kyodo Building, 16 Ichibancho
Chiyoda-ku, Tokyo 102-0082
Japan
+81.3.3511.7655 FAX +81.3.3511.7656

Free Manuals Download Website

<http://myh66.com>

<http://usermanuals.us>

<http://www.somanuals.com>

<http://www.4manuals.cc>

<http://www.manual-lib.com>

<http://www.404manual.com>

<http://www.luxmanual.com>

<http://aubethermostatmanual.com>

Golf course search by state

<http://golfingnear.com>

Email search by domain

<http://emailbydomain.com>

Auto manuals search

<http://auto.somanuals.com>

TV manuals search

<http://tv.somanuals.com>