

# SCS 300

## Sync Converter & Stabilizer



### FEATURES

- Stabilizes and converts sync for all common high resolution formats
- Input: RGBHV, RGBS, RGSB, and RsGsBs on BNCs
- Outputs: RGBHV, RGBS, RGSB, and RsGsBs on BNCs and 15-pin HD
- Universal sync conversion — Converts any RGB sync format to any other desired output format for compatibility with three, four, or five-wire RGB system designs.
- Selectable sync-on-all output — Provides the capability to output RGB with sync on all video signals – RsGsBs – from any RGB sync input format.
- Horizontal shift control — Shifts the displayed image left or right on the display screen, so that images can be properly centered.
- Dual RGB video outputs — Simultaneously outputs RGB video on five-BNC and 15-pin HD connectors for ease of installation in rack-mount applications or at the display.
- ADSP™ - Advanced Digital Sync Processing technology
- Rack-mountable 1U, quarter rack width metal enclosure
- External universal power supply included, part # 70-055-01

### DESCRIPTION

The Extron **SCS 300** combines sync conversion and sync stabilization in a single, compact enclosure. It provides sync conversion between all common high resolution sync formats – RGBHV, RGBS, RGSB, and RsGsBs. Horizontal shift control enables precise centering of images on-screen. For ease of installation, the SCS 300 features front and rear panel video outputs to support both rack-mount and at-the-display applications.

The SCS 300 also features Extron ADSP™ - Advanced Digital Sync Processing to compensate for poor quality or weak sync signals from PC graphics cards, or signal losses due to long cable runs. ADSP re-establishes the timing relationship between sync and video signals, and restores the sync voltage level and waveform to ensure robust, stable image reproduction.

### SPECIFICATIONS

#### VIDEO

Gain .....	Unity
Bandwidth .....	300 MHz (-3 dB)

#### VIDEO INPUT

Number/signal type .....	1 analog RGBHV, RGBS, RGSB, RsGsBs
Connectors .....	5 female BNC
Nominal level .....	0.7 Vp-p for RGB
Minimum/maximum levels .....	Analog: 0.3 V to 1.5 Vp-p with no offset
Impedance .....	75 ohms
Horizontal frequency .....	24 kHz to 130 kHz
Vertical frequency .....	40 Hz to 120 Hz
Return loss .....	<-30 dB @ 5 MHz
DC offset (max. allowable) .....	4.0 V
Input coupling .....	AC

#### VIDEO OUTPUT

Number/signal type .....	2 analog RGBHV, RGBS, RGSB, RsGsBs
Connectors .....	5 BNC female, (1) 15-pin HD female
Nominal level .....	0.7 Vp-p for RGB
Minimum/maximum levels .....	0.3 V to 1.5 Vp-p with no offset (follows input)

Impedance .....	75 ohms
Return loss .....	-30 dB @ 5 MHz
DC offset .....	±30 mV with no input and at 0 offset

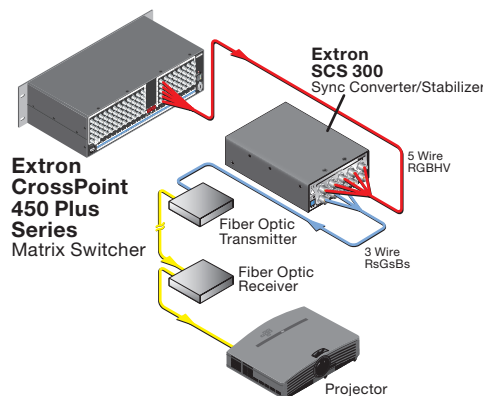
#### SYNC

Input type .....	RGBHV, RGBS, RGSB, RsGsBs
Output type .....	RGBHV, RGBS, RGSB, RsGsBs (switch-selectable)
Input level .....	Sync on R/G/B (RGSB, RsGsBs): 0.15 to 0.6 Vp-p TTL: 1.5 V to 5.5 Vp-p with ±0.2 VDC max. offset
Output level .....	Sync on R/G/B (RGSB, RsGsBs): 0.3 Vp-p TTL: 2.0 Vp-p, unterminated
Input impedance .....	510 ohms or 10k ohms, selectable
Output impedance .....	75 ohms
Max. propagation delay .....	48 ns
Max. rise/fall time .....	3.5 ns
Polarity	
RGBHV .....	For RGVHV input, output is positive or negative (follows input) or is forced negative (switch-selectable)
RGSB, RGSB, RsGsBs .....	Negative

#### GENERAL

External power supply .....	100 VAC to 240 VAC, 50/60 Hz, external, universal; to 12 VDC, 1 A, regulated
Power input requirements .....	12 VDC, 0.4 A
Temperature/humidity .....	Storage: -40 to +158 °F (-40 to +70 °C) / 10% to 90%, noncondensing Operating: +32 to +122 °F (0 to +50 °C) / 10% to 90%, noncondensing
Rack mount .....	Yes, with optional 1U rack shelf, part #60-190-01 or 60-604-01; or 1U, 6" deep rack shelf, part #60-190-10 or 60-604-10. Also furniture mountable with optional kit #70-077-01 or 70-077-02; projector mountable with kits #70-563-02/-03, #70-526-02/-03, or #70-077-04.
Enclosure type .....	Metal
Enclosure dimensions .....	1.7" H x 4.3" W x 6.0" D (1U high, quarter rack wide) 4.3 cm H x 10.9 cm W x 15.2 cm D (Depth excludes connectors.)
Product weight .....	0.8 lbs (0.4 kg)
Shipping weight .....	2 lbs (1 kg)
Vibration .....	ISTA 1A in carton (International Safe Transit Association)
Listings .....	UL, CUL
Compliances .....	CE, FCC Class A, VCCI, AS/NZS, ICES
MTBF .....	30,000 hours
Warranty .....	3 years parts and labor

NOTE: All nominal levels are at ±10%. Specifications are subject to change without notice.



### MODEL

<b>SCS 300</b>	<b>Sync Converter &amp; Stabilizer</b>	<b>60-811-01</b>
----------------	--	------------------

### OPTIONAL ACCESSORIES

MODEL DESCRIPTION	PAGE	PART #
Multi-Product Projector Mount Kit .....	page 813	70-374-01
Low Profile Multi-Product Projector Mounting Kit .....	page 814	70-563-02
1U 6" Deep Basic Rack Shelf .....	page 819	60-604-10
1U 9.5" Deep Basic Rack Shelf .....	page 820	60-604-01

## Free Manuals Download Website

<http://myh66.com>

<http://usermanuals.us>

<http://www.somanuals.com>

<http://www.4manuals.cc>

<http://www.manual-lib.com>

<http://www.404manual.com>

<http://www.luxmanual.com>

<http://aubethermostatmanual.com>

Golf course search by state

<http://golfingnear.com>

Email search by domain

<http://emailbydomain.com>

Auto manuals search

<http://auto.somanuals.com>

TV manuals search

<http://tv.somanuals.com>