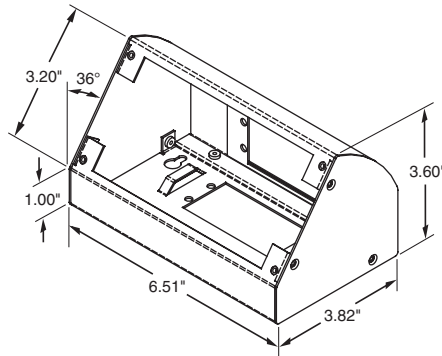


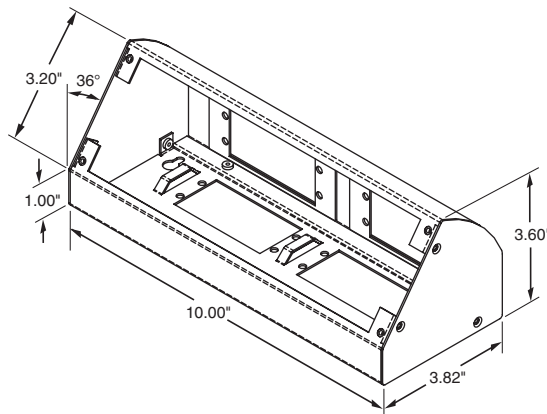
Specifications — SMB 200 Series

General

Mounting	Surface mountable or mountable to furniture including lecterns and tabletops
Enclosure type	Metal
Enclosure dimensions	
SMB 203 L	3.6" H x 6.5" W x 3.8" D 9.2 cm H x 16.5 cm W x 9.7 cm D



SMB 205 L	3.6" H x 10.0" W x 3.8" D 9.2 cm H x 25.4 cm W x 9.7 cm D
-----------------	--



Faceplate compatibility

SMB 203 L	Mounts a low-profile, 3.2" high, 6.5" wide, L-type faceplate
SMB 205 L	Mounts a low-profile, 3.2" high, 10.0" wide, L-type faceplate

NOTE *The SMB 200 Series does not accommodate products with US gang-sized faceplates; they mount only low-profile, L-type faceplates, including those of the MLC 226 IP L and MLM 104 LAAP.*

Number of accessible AAP openings

SMB 203 L	1 double-space (back), 1 double-space (bottom)
SMB 205 L	2 double-space (back), 2 double-space (bottom)

Included blank AAP plates

SMB 203 L	1 double-space
SMB 205 L	2 double-space

Furniture mounting holes 4 (2 are slotted)

Cable management lance punches

SMB 203 L	2
SMB 205 L	3

Front angle 36° from vertical, 54° from horizontal

Product weight

SMB 203 L	1.1 lbs (0.5 kg)
SMB 205 L	1.6 lbs (0.7 kg)

Shipping weight 2 lbs (1 kg)
Vibration ISTA 1A in carton (International Safe Transit Association)
Warranty 3 years parts and labor

NOTE *Specifications are subject to change without notice.*

(7.53-102607-D2)

Free Manuals Download Website

<http://myh66.com>

<http://usermanuals.us>

<http://www.somanuals.com>

<http://www.4manuals.cc>

<http://www.manual-lib.com>

<http://www.404manual.com>

<http://www.luxmanual.com>

<http://aubethermostatmanual.com>

Golf course search by state

<http://golfingnear.com>

Email search by domain

<http://emailbydomain.com>

Auto manuals search

<http://auto.somanuals.com>

TV manuals search

<http://tv.somanuals.com>