

WP CTL D Installation Guide

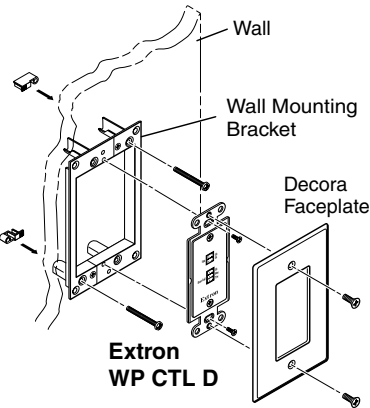
The Extron WP CTL D is a Decora style 1-gang wall plate which passes RS-232 control signals from a computer or control system, and IR signals from an IR source. Install it directly into the wall using a mud ring, or in a 1-gang junction box (not supplied), following the steps below.

- Using a mud ring or a junction box as a guide, mark the holes and cut out the material within the marked area.

NOTE If installing a junction box, allow enough depth for the wall plate and cables. The box should be at least 2.0" (5.1 cm) deep to accommodate the connectors, plate, and cables.

- Either
 - Insert the mud ring into the opening, rotate the dog legs, and secure with the screws provided, or
 - Insert the wall box and secure with 10-penny nails or screws.
- Run the RS-232 and IR signal cables behind the wall and thread them through the mud ring or wall box.

NOTE Extron recommends using a good quality, low capacitance, shielded cable such as an Extron CTL or SPL Control cable.



WP CTL D Installation Guide, cont'd

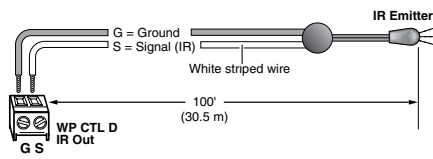
- Connect the IR cable to the rear panel IR connector by inserting the signal wire into the hole marked "S", and the ground wire into the hole marked "G" (see inset, step 4).

NOTE The recommended driving distance from an MLC controller is 100 feet.

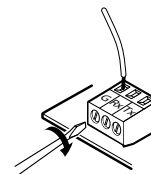
- Connect the RS-232 cable to the rear panel RS-232 connector by inserting the ground wire into the hole marked "G", the transmit wire into the hole marked "Tx", and the receive wire into the hole marked "Rx" (see inset, step 5).
- Mount the device into the mud ring or wall box.
- Attach the supplied Decora faceplate.

NOTE If applicable, repeat steps 1-7 to install additional wall plates.

- Connect the RS-232 control device and/or IR input device to the front of the WP CTL D.



Step 4



Step 5

Extron USA - West
Headquarters
+800.633.9876
Inside USA / Canada Only
+1.714.491.1500
+1.714.491.1517 FAX

Extron USA - East
+800.633.9876
Inside USA / Canada Only
+1.919.863.1794
+1.919.863.1797 FAX

Extron Europe
+800.3987.6673
Inside Europe Only
+31.33.453.4040
+31.33.453.4050 FAX

Extron Asia
+800.7339.8766
Inside Asia Only
+65.6383.4400
+65.6383.4664 FAX

Extron Japan
+81.3.3511.7655
+81.3.3511.7656 FAX

Extron China
+400.883.1568
Inside China Only
+86.21.3760.1568
+86.21.3760.1566 FAX

Extron Dubai
+971.4.2991800
+971.4.2991880 FAX

68-1618-01
Rev B 08 08

Free Manuals Download Website

<http://myh66.com>

<http://usermanuals.us>

<http://www.somanuals.com>

<http://www.4manuals.cc>

<http://www.manual-lib.com>

<http://www.404manual.com>

<http://www.luxmanual.com>

<http://aubethermostatmanual.com>

Golf course search by state

<http://golfingnear.com>

Email search by domain

<http://emailbydomain.com>

Auto manuals search

<http://auto.somanuals.com>

TV manuals search

<http://tv.somanuals.com>