

Installation Manual



PS 124

12 VDC, 4 Amp Power Supply

68-1714-01 Rev. A
05 09

Precautions

Safety Instructions • English



This symbol is intended to alert the user of important operating and maintenance (servicing) instructions in the literature provided with the equipment.



This symbol is intended to alert the user of the presence of uninsulated dangerous voltage within the product's enclosure that may present a risk of electric shock.

Caution

Read Instructions • Read and understand all safety and operating instructions before using the equipment.

Retain Instructions • The safety instructions should be kept for future reference.

Follow Warnings • Follow all warnings and instructions marked on the equipment or in the user information.

Avoid Attachments • Do not use tools or attachments that are not recommended by the equipment manufacturer because they may be hazardous.

Consignes de Sécurité • Français



Ce symbole sert à avertir l'utilisateur que la documentation fournie avec le matériel contient des instructions importantes concernant l'exploitation et la maintenance (réparation).



Ce symbole sert à avertir l'utilisateur de la présence dans le boîtier de l'appareil de tensions dangereuses non isolées posant des risques d'électrocution.

Attention

Lire les instructions • Prendre connaissance de toutes les consignes de sécurité et d'exploitation avant d'utiliser le matériel.

Conservier les instructions • Ranger les consignes de sécurité afin de pouvoir les consulter à l'avenir.

Respecter les avertissements • Observer tous les avertissements et consignes marqués sur le matériel ou présents dans la documentation utilisateur.

Éviter les pièces de fixation • Ne pas utiliser de pièces de fixation ni d'outils non recommandés par le fabricant du matériel car cela risquerait de poser certains dangers.

Sicherheitsanleitungen • Deutsch



Dieses Symbol soll dem Benutzer in der im Lieferumfang enthaltenen Dokumentation besonders wichtige Hinweise zur Bedienung und Wartung (Instandhaltung) geben.



Dieses Symbol soll den Benutzer darauf aufmerksam machen, daß im Inneren des Gehäuses dieses Produktes gefährliche Spannungen, die nicht isoliert sind und die einen elektrischen Schock verursachen können, herrschen.

Achtung

Lesen der Anleitungen • Bevor Sie das Gerät zum ersten Mal verwenden, sollten Sie alle Sicherheits- und Bedienungsanleitungen genau durchlesen und verstehen.

Aufbewahren der Anleitungen • Die Hinweise zur elektrischen Sicherheit des Produktes sollten Sie aufbewahren, damit Sie im Bedarfsfall darauf zurückgreifen können.

Befolgen der Warnhinweise • Befolgen Sie alle Warnhinweise und Anleitungen auf dem Gerät oder in der Benutzerdokumentation.

Keine Zusatzgeräte • Verwenden Sie keine Werkzeuge oder Zusatzgeräte, die nicht ausdrücklich vom Hersteller empfohlen wurden, da diese eine Gefahrenquelle darstellen können.

Instrucciones de seguridad • Español



Este símbolo se utiliza para advertir al usuario sobre instrucciones importantes de operación y mantenimiento (o cambio de partes) que se desean destacar en el contenido de la documentación suministrada con los equipos.



Este símbolo se utiliza para advertir al usuario sobre la presencia de elementos con voltaje peligroso sin protección aislante, que puedan encontrarse dentro de la caja o alojamiento del producto, y que puedan representar riesgo de electrocución.

Precaución

Leer las instrucciones • Leer y analizar todas las instrucciones de operación y seguridad, antes de usar el equipo.

Conservar las instrucciones • Conservar las instrucciones de seguridad para futura consulta.

Obedecer las advertencias • Todas las advertencias e instrucciones marcadas en el equipo o en la documentación del usuario, deben ser obedecidas.

Evitar el uso de accesorios • No usar herramientas o accesorios que no sean específicamente recomendados por el fabricante, ya que podrían implicar riesgos.

Warning

Power sources • This equipment should be operated only from the power source indicated on the product. This equipment is intended to be used with a main power system with a grounded (neutral) conductor. The third (grounding) pin is a safety feature, do not attempt to bypass or disable it.

Power disconnection • To remove power from the equipment safely, remove all power cords from the rear of the equipment, or the desktop power module (if detachable), or from the power source receptacle (wall plug).

Power cord protection • Power cords should be routed so that they are not likely to be stepped on or pinched by items placed upon or against them.

Servicing • Refer all servicing to qualified service personnel. There are no user-serviceable parts inside. To prevent the risk of shock, do not attempt to service this equipment yourself because opening or removing covers may expose you to dangerous voltage or other hazards.

Slots and openings • If the equipment has slots or holes in the enclosure, these are provided to prevent overheating of sensitive components inside. These openings must never be blocked by other objects.

Lithium battery • There is a danger of explosion if battery is incorrectly replaced. Replace it only with the same or equivalent type recommended by the manufacturer. Dispose of used batteries according to the manufacturer's instructions.

Avvertimento

Alimentazione • Non fare funzionare ce matériel qu'avec la source d'alimentation indiquée sur l'appareil. Ce matériel doit être utilisé avec une alimentation principale comportant un fil de terre (neutre). Le troisième contact (de mise à la terre) constitue un dispositif de sécurité: n'essayez pas de la contourner ni de la désactiver.

Déconnexion de l'alimentation • Pour mettre le matériel hors tension sans danger, déconnectez tous les cordons d'alimentation de l'arrière de l'appareil ou du module d'alimentation de bureau (s'il est amovible) ou encore de la prise secteur.

Protection du cordon d'alimentation • Achémener les cordons d'alimentation de manière à ce que personne ne risque de marcher dessus et à ce qu'ils ne soient pas écrasés ou pincés par des objets.

Réparation-maintenance • Faire exécuter toutes les interventions de réparation-maintenance par un technicien qualifié. Aucun des éléments internes ne peut être réparé par l'utilisateur. Afin d'éviter tout danger d'électrocution, l'utilisateur ne doit pas essayer de procéder lui-même à ces opérations car l'ouverture ou le retrait des couvercles risquent de l'exposer à de hautes tensions et autres dangers.

Fentes et orifices • Si le boîtier de l'appareil comporte des fentes ou des orifices, ceux-ci servent à empêcher les composants internes sensibles de surchauffer. Ces ouvertures ne doivent jamais être bloquées par des objets.

Lithium Batterie • Il a danger d'explosion s'il y a remplacement incorrect de la batterie. Remplacer uniquement avec une batterie du même type ou d'un équivalent recommandé par le constructeur. Mettre au rebut les batteries usagées conformément aux instructions du fabricant.

Vorsicht

Stromquellen • Dieses Gerät sollte nur über die auf dem Produkt angegebene Stromquelle betrieben werden. Dieses Gerät wurde für eine Verwendung mit einer Hauptstromleitung mit einem geerdeten (neutralen) Leiter konzipiert. Der dritte Kontakt ist für einen Erdschluß, und stellt eine Sicherheitsfunktion dar. Diese sollte nicht umgangen oder außer Betrieb gesetzt werden.

Stromunterbrechung • Um das Gerät auf sichere Weise vom Netz zu trennen, sollten Sie alle Netzkabel aus der Rückseite des Gerätes, aus der externen Stromversorgung (falls dies möglich ist) oder aus der Wandsteckdose ziehen.

Schutz des Netzkabels • Netzkabel sollten stets so verlegt werden, daß sie nicht im Weg liegen und niemand darauf treten kann oder unmittelbar dagegen gestellt werden können.

Wartung • Alle Wartungsmaßnahmen sollten nur von qualifiziertem Servicepersonal durchgeführt werden. Die internen Komponenten des Gerätes sind wartungsfrei. Zur Vermeidung eines elektrischen Schocks versuchen Sie in keinem Fall, dieses Gerät selbst öffnen, da beim Entfernen der Abdeckungen die Gefahr eines elektrischen Schlags und/oder anderer Gefahren bestehen.

Schlitze und Öffnungen • Wenn das Gerät Schlitze oder Löcher im Gehäuse aufweist, dienen diese zur Vermeidung einer Überhitzung der empfindlichen Teile im Inneren. Diese Öffnungen dürfen niemals von anderen Objekten blockiert werden.

Lithium-Batterie • Explosionsgefahr, falls die Batterie nicht richtig ersetzt wird. Ersetzen Sie verbrauchte Batterien nur durch den gleichen oder einen vergleichbaren Batterietyp, der auch vom Hersteller empfohlen wird. Entsorgen Sie verbrauchte Batterien bitte gemäß den Herstelleranweisungen.

Advertencia

Alimentación eléctrica • Este equipo debe conectarse únicamente a la fuente/tipo de alimentación eléctrica indicada en el mismo. La alimentación eléctrica de este equipo debe provenir de un sistema de distribución general con conductor neutro a tierra. La tercera pata (puesta a tierra) es una medida de seguridad, no puentearla ni eliminarla.

Desconexión de alimentación eléctrica • Para desconectar con seguridad la conectada de alimentación eléctrica al equipo, desenchufar todos los cables de alimentación en el panel trasero del equipo, o desenchufar el módulo de alimentación (si fuera independiente), o desenchufar el cable del receptáculo de la pared.

Protección del cables de alimentación • Los cables de alimentación eléctrica se deben instalar en lugares donde no sean pisados ni apretados por objetos que se puedan apoyar sobre ellos.

Reparaciones/mantenimiento • Solicitar siempre los servicios técnicos de personal calificado. En el interior no hay partes a las que el usuario debe acceder. Para evitar riesgo de electrocución, no intentar personalmente la reparación/mantenimiento de este equipo, ya que al abrir o extraer las tapas puede quedar expuesto a voltajes peligrosos u otros riesgos.

Ranuras y aberturas • Si el equipo posee ranuras o orificios en su caja/alojamiento, es para evitar el sobrecalentamiento de componentes internos sensibles. Estas aberturas nunca se deben obstruir con otros objetos.

Batería de litio • Existe riesgo de explosión si esta batería se coloca en la posición incorrecta. Cambiar esta batería únicamente con el mismo tipo (o su equivalente) recomendado por el fabricante. Desachar las baterías usadas siguiendo las instrucciones del fabricante.

安全须知 • 中文



这个符号提示用户该设备用户手册中有重要的操作和维护说明。



这个符号警告用户该设备机壳内有暴露的危险电压，有触电危险。

注意

阅读说明书 • 用户使用该设备前必须阅读并理解所有安全和使用说明。

保存说明书 • 用户应保存安全说明书以备将来使用。

遵守警告 • 用户应遵守产品和用户指南上的所有安全和操作说明。

避免追加 • 不要使用该产品厂商没有推荐的工具或追加设备，以避免危险。

警告

电源 • 该设备只能使用产品上标明的电源。设备必须使用有地线的供电系统供电。第三条线（地线）是安全设施，不能不用或跳过。

拔掉电源 • 为安全地从设备拔掉电源，请拔掉所有设备后或桌面电源的电源线，或任何接到市电系统的电源线。

电源线保护 • 妥善布线，避免被踩踏，或重物挤压。

维护 • 所有维修必须由认证的维修人员进行。设备内部没有用户可以更换的零件。为避免出现触电危险不要自己试图打开设备盖子维修该设备。

通风孔 • 有些设备机壳上有通风槽或孔，它们是用来防止机内敏感元件过热。不要用任何东西挡住通风孔。

锂电池 • 不正确的更换电池会有爆炸的危险。必须使用与厂家推荐的相同或相近型号的电池。按照生产厂的建议处理废弃电池。

FCC Class B Notice

This equipment has been tested and found to comply with the limits for a Class B digital device, pursuant to part 15 of the FCC Rules. These limits are designed to provide reasonable protection against harmful interference in a residential installation. This equipment generates, uses, and can radiate radio frequency energy and, if not installed and used in accordance with the instructions, may cause harmful interference to radio communications. However, there is no guarantee that the interference will not occur in a particular installation. If this equipment does cause harmful interference to radio or television reception, which can be determined by turning the equipment off and on, the user is encouraged to try to correct the interference by one or more of the following measures:

- Reorient or relocate the receiving antenna.
- Increase the separation between the equipment and receiver.
- Connect the equipment into an outlet on a circuit different from that to which the receiver is connected.
- Consult the dealer or an experienced radio/TV technician for help.

NOTE

This unit was tested with shielded cables on the peripheral devices. Shielded cables must be used with the unit to ensure compliance.

VCCI Class B notice for ITE products (See the product's specifications to determine whether this class applies.)

この装置は、情報処理装置等電波障害自主規制協議会 (VCCI) の基準に基づくクラス B 情報技術装置です。この装置は、家庭環境で使用することを目的としていますが、この装置がラジオやテレビジョン受信機に近接して使用されると、受信障害を引き起こすことがあります。

取扱説明書に従って正しい取り扱いをして下さい。

English translation: "This is a Class B product based on the standard of Voluntary Control Council for Interference from Information Technology Equipment (VCCI). If this is used near a radio or television receiver in a domestic environment, it may cause radio interference. Install and use the equipment according to the instruction manual."



Table of Contents

Introduction	1
Front and Rear Panel Features	1
LED indicators.....	1
Input Power.....	2
DC Outputs.....	3
Connections	4
Input power — using the IEC power cord.....	4
Input power — using the Flexible Conduit Adapter Kit	4
UL guidelines	5
Installing the flexible conduit cable.....	5
Output power — wiring the DC output connectors	8
Installing the PS 124	9
UL rack mounting guidelines	9
Rack mounting	10
Under-desk mounting.....	11
Above-projector mounting	12
Specifications	15
Included Parts	16
Accessories.....	16

All trademarks mentioned in this manual are the properties of their respective owners.

68-1714-01 Rev. A
05 09

Table of Contents, cont'd

Introduction

The Extron PS 124 is a high performance, plenum rated (with optional Flexible Conduit kit), 12 VDC power supply. The autoswitchable 100 VAC to 240 VAC input can supply a maximum current of 4 amps for up to eight outputs. Each DC output is on a two-pole captive screw connector, with no per-output current limitation. Two-tone LEDs on the front and rear panels indicate normal operation (green) and overload condition (red).

The rack mountable PS 124 has a 1U high, quarter rack wide, 9" deep metal enclosure, allowing the PS 124 to take advantage of a variety of mounting options.

Front and Rear Panel Features

All power and output connections are on the rear panel.

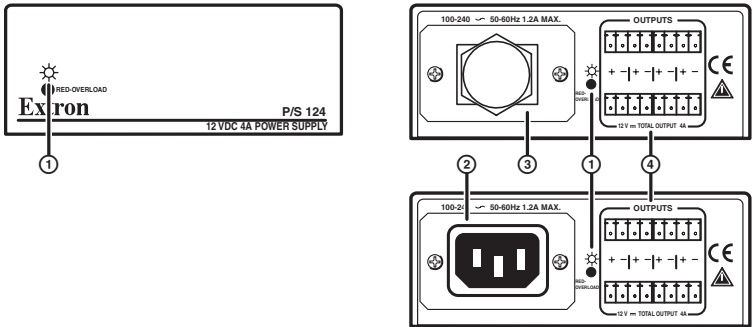


Figure 1 — PS 124 front and rear panels

LED indicators

- ① **Power status LEDs** — These front and rear panel LEDs indicate the PS 124 status by lighting as follows:

- **Green** when power is applied and current draw is normal
- **Red** indicates a current overload condition

CAUTION

Continued operation in an overload condition may cause premature power supply failure.

- **Unlit** when an output is shorted

NOTE

To identify the shorted output, unplug the outputs one at a time until the LEDs light green.

Input Power

Apply power to the PS 124 using the supplied IEC power cord (②) or by installing the optional Flexible Conduit Adapter Kit (Extron part #70-228-02) (③).

- ② IEC connector/power supply — Plug the IEC cord into this connector and a 100–240 VAC source.
- OR- ③ Optional conduit adapter plate — The IEC connector and adapter plate can be replaced by this half-inch conduit EMT (Electrical Metallic Tubing) adapter plate, as shown in figure 2. See “Input power — using the Flexible Conduit Adapter Kit,” on page 4.

NOTE With the installation of the Flexible Conduit Adapter kit, the PS 124 is suitable for use in air handling spaces and meets all applicable requirements of UL 2043.

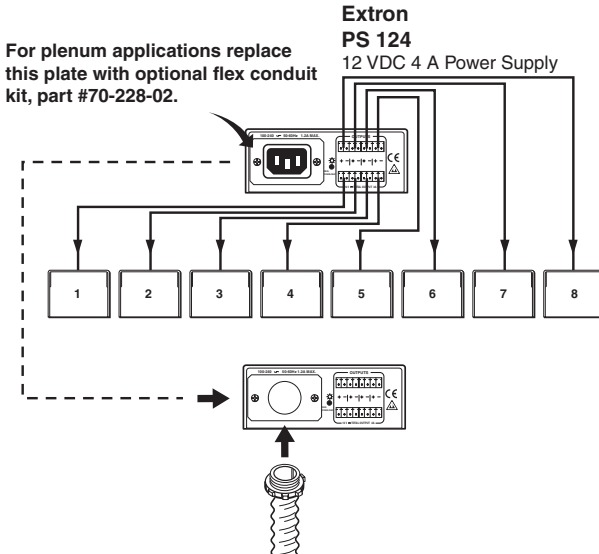


Figure 2 — Using the conduit option

DC Outputs

- ④ **DC Output connectors** — Connect the power cables from the PS 124 to these 3.5 mm captive screw connectors.

The PS 124 supports up to eight power supply outputs. For details on limitations and how to wire these captive screw connectors, see “Output power — wiring the DC output connectors,” on page 8.

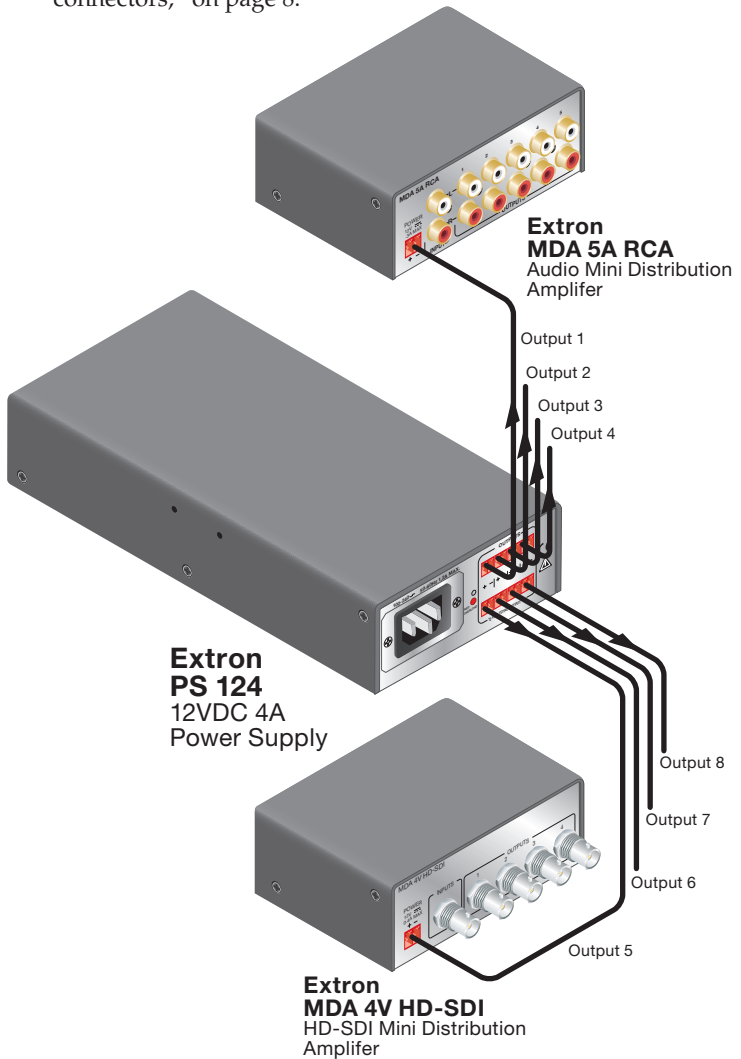


Figure 3 Application Diagram

Connections

Input power — using the IEC power cord

Use the included IEC power cord to connect the PS 124 to a 100 VAC to 240 VAC, 50-60 Hz power source.

WARNING *The circuit breaker used for this connection should be rated 20 amps maximum.*

Input power — using the Flexible Conduit Adapter Kit

The optional Flexible Conduit Adapter Kit, part # 70-228-02, provides a convenient means to replace the IEC power cord with conduit when required by local codes.

The kit consists of:

- One EMT adaptor plate
- One 6-foot long electrical conduit
- Three 7.5 feet, 18-gauge spade connector power wires
- One UL Listed zip tie wrap
- Three auxiliary crimp style spade connectors designed for 14- to 16-gauge wires

NOTE *Extron recommends using a crimp tool such as Molex part #19285-0008 to terminate the spade connectors.*

Make certain the PS 124 and all connected devices are turned off and disconnected from the power source before beginning.

WARNING *The circuit breaker used for this connection should be rated 20 amps maximum.*

WARNING *For permanently connected equipment there must be a readily accessible disconnect device incorporated in the building installation wiring.*

WARNING *Installation and service must be performed by a qualified electrician only.*

UL guidelines

The Underwriters Laboratories (UL) guidelines listed below pertain to the installation of the flexible conduit option.

- This unit is not to be used beyond its rated voltage range.
- This unit must be wired to a UL listed distribution box.

NOTE

The electrical distribution box is not included with either the PS 124 power supply or the Flexible Conduit Adapter Kit; the installer is responsible for obtaining and installing a UL Listed box.

- This unit must be installed in accordance with the National Electrical Code and all local codes.

Installing the flexible conduit cable

Install the flexible conduit cable assembly to the PS 124 as follows:

1. Remove the IEC power cord.
2. Remove and retain the two Phillips head screws that secure the **IEC plate** (figure 4, below) to the PS 124 rear panel.

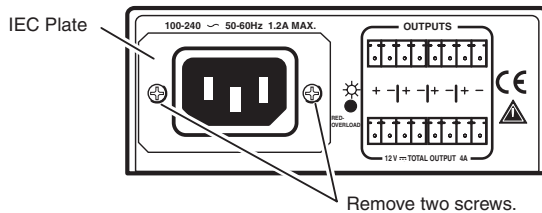


Figure 4 — Removing the IEC plate

3. Remove and retain the six screws that attach the top cover of the PS 124 to the chassis (figure 5).

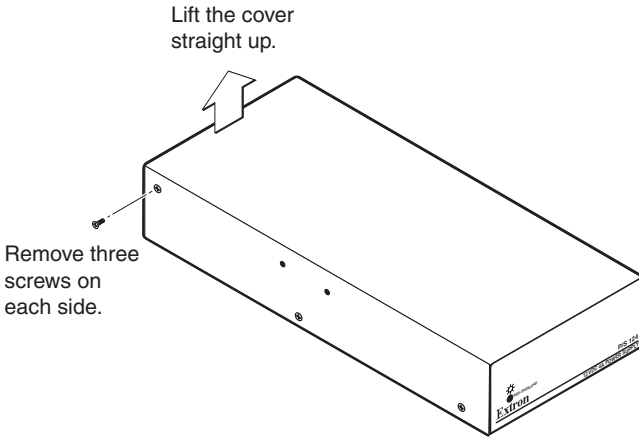


Figure 5 — Removing the top cover

4. Carefully lift the top cover up, taking care not to remove it completely.

CAUTION

Rough handling of the top cover can tear wiring that connects the front panel LED.

5. Use a standard screwdriver to loosen the screws holding the **hot** and **neutral** wires on the side of the terminal block nearest the IEC plate opening (figure 6).

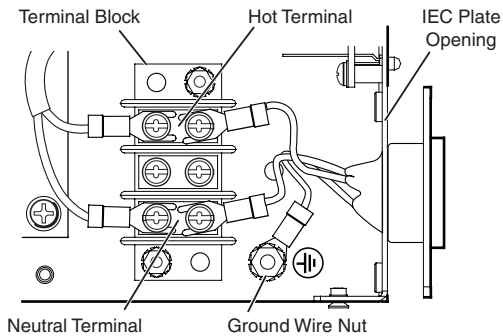


Figure 6 — Terminal block and IEC connector wiring

6. Unscrew the **ground wire nut** on the bottom of the PS 124 enclosure and remove the ground wire.

7. From the rear panel end, pull the IEC connector (see figure 4) out of the enclosure.
8. From the conduit kit, thread the 18-gauge power wires through the length of the electrical conduit tube.
9. Install the **EMT adapter plate** (figure 2) into the opening. Use the Phillips head screws removed in step 2 (figure 4) to attach the adapter plate.

NOTE *If the conduit is attached to the EMT plate, skip step 10.*

10. Slide the **conduit nut** (figure 7, below) over the bundle of wires exiting the conduit and onto the conduit itself *inside* the PS 124. Hand-tighten the nut.

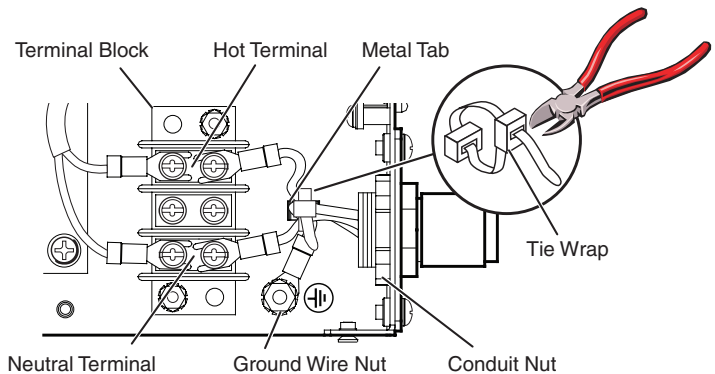


Figure 7 — Terminal block and conduit wiring

11. Attach and fasten the **hot** and **neutral** wires from the conduit to their corresponding screws on the terminal block.

WARNING *Ensure wire polarity is observed. Figure 7 shows the location of the neutral and hot terminals on the terminal block. The conduit wiring harness neutral wire is identified with a tag marked "N" (neutral).*

12. Attach the ground wire from the conduit to the chassis ground, securing it by reattaching the ground wire nut.
13. Thread a tie wrap through the metal tab on the bottom of the PS 124, place all the wires within its cradle, and zip the tie wrap over the bundle of wires.
14. Tighten the conduit nut (figure 7 above) to ensure it firmly secures the conduit to the EMT adapter plate.
15. Use the screws removed in step 3 to fasten the top cover of the PS 124 back onto the chassis (figure 5).

Output power — wiring the DC output connectors

The PS 124 can supply 12 VDC to multiple devices using 3.5 mm, 2-pole captive screw connectors. The combined current draw of the connected devices must not exceed 4 amps.

NOTE To verify proper polarity before connection to a device, plug in the power supply with no load and check the output polarity with a voltmeter. Remove power before continuing.

WARNING When verifying power supply polarity, the two power cord wires must be kept separate while the power supply is plugged in.

To connect products to the outputs of the PS 124:

1. Cut the DC output cord to the length required.
2. Strip the jacket of the conductor wire (figure 8).

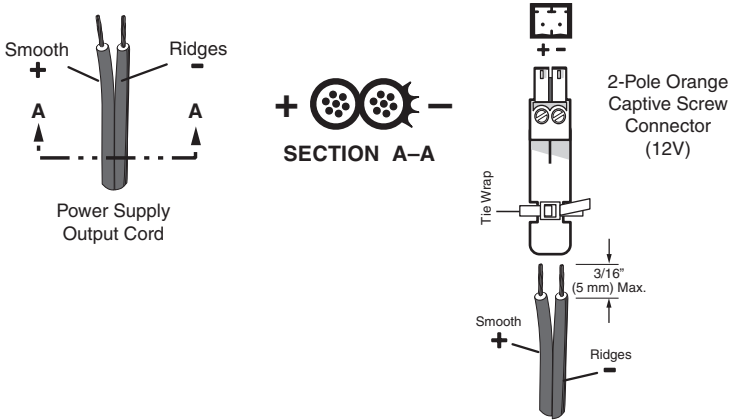


Figure 8 — Power connector wiring

NOTE The length of the exposed (stripped) copper wires is important. The ideal length is 3/16" (5 mm). Longer bare wires can short together. Shorter wires are not as secure in the captive screw connectors and could be pulled out.

Do not tin the stripped power supply leads. Tinned wires are not as secure in the captive screw connectors and could be pulled out.

3. Slide the leads into the supplied 2-pole captive screw plug and secure using an Extron Tweezer or small screwdriver.
4. Use the supplied tie wrap to strap the power cord to the extended tail of the connector.

Installing the PS 124

There are several optional accessories for mounting the PS 124. They include the following Extron part numbers:

- RSU 129 1U 9.5" Deep Universal Rack Shelf (part #60-190-01)
- RSB 129 1U 9.5" Deep Basic Rack Shelf (part #60-604-01)
- MBU 125 1U Under-Desk Mounting (part #70-077-01)
- PMK 350 Low Profile Pole Mount Kit for Multiple Products (part #70-563-03)

Additional mounting options may be found on the Extron website at www.extron.com

UL rack mounting guidelines

The following Underwriters Laboratories (UL) guidelines pertain to the installation of the PS 124 into a rack.

- **Elevated operating ambient temperature** — If the equipment is installed in a closed or multiunit rack assembly, the operating ambient temperature of the rack environment may be greater than room ambient temperature.
Therefore, consider installing the equipment in an environment compatible with the maximum ambient temperature (T_{ma}) specified by the manufacturer. For the PS 124, the T_{ma} is 122 °F (50 °C).
- **Reduced air flow** — Installation of the equipment in a rack should be such that the amount of air flow required for safe operation of the equipment is not compromised.
- **Mechanical loading** — Mounting of the equipment in the rack should be such that a hazardous condition is not created due to uneven mechanical loading.
- **Circuit overloading** — Consideration should be given to the connection of the equipment to the supply circuit and the effect that overloading of the circuits might have on overcurrent protection and supply wiring. Appropriate consideration of equipment nameplate ratings should be used when addressing this concern.
- **Reliable earthing (grounding)** — Reliable earthing of rack-mounted equipment should be maintained. Particular attention should be given to supply connections other than direct connections to the branch circuit (e.g. use of power strips).

Rack mounting

For optional rack mounting, mount up to four PS 124 power supplies on an RSU 129 9.5" 1U Universal Rack Shelf (part #60-190-01) (figure 8) or an RSB 129 9.5" 1U Basic Rack Shelf (part #60-604-01).

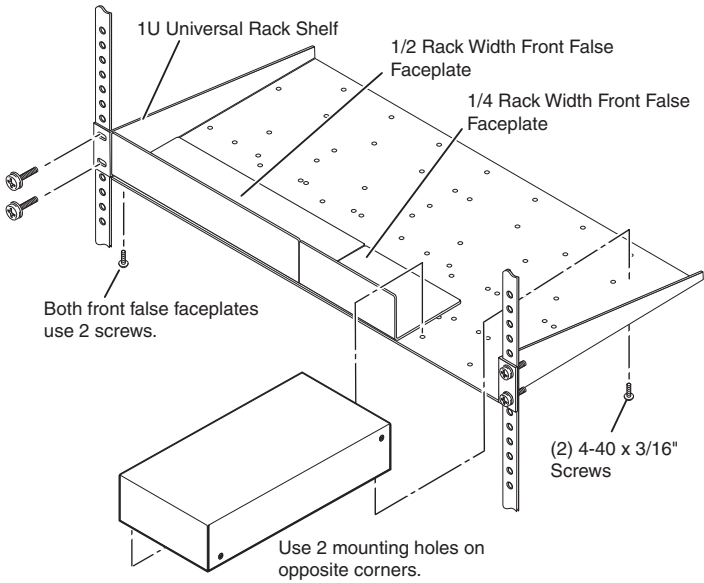


Figure 9 — Rack mounting the PS 124

1. If feet were previously installed on the bottom of the PS 124 unit, remove them.
2. Mount the PS 124 on the rack shelf, using two 4-40 x 3/16" screws in opposite (diagonal) corners.
3. If necessary, mount the half rack width false front panel (included with the Universal Rack Shelf only) and/or the quarter rack width false front panel (included with the PS 124) to the shelf, using two 4-40 x 3/16" screws in the front holes for each panel.

Under-desk mounting

In addition to using the PS 124 power supply on a rack or projector, it can also be mounted under furniture (such as a desk) using the MBU 125 Under-Desk Mounting Kit (part #70-077-01). To mount the PS 124 under a desk or other furniture, follow these steps:

1. Attach the mounting brackets to the power supply with the provided machine screws (figure 10).
2. Hold the power supply with the attached brackets against the underside of the furniture. Mark the location of the screw holes of the bracket on the mounting surface.
3. Drill $3/32$ " (2 mm) diameter pilot holes, $1/4$ " (6.3 mm) deep in the mounting surface at the marked screw locations.
4. Insert #8 wood screws into the four pilot holes. Tighten each screw into the mounting surface until just less than $1/4$ " of the screw head protrudes.

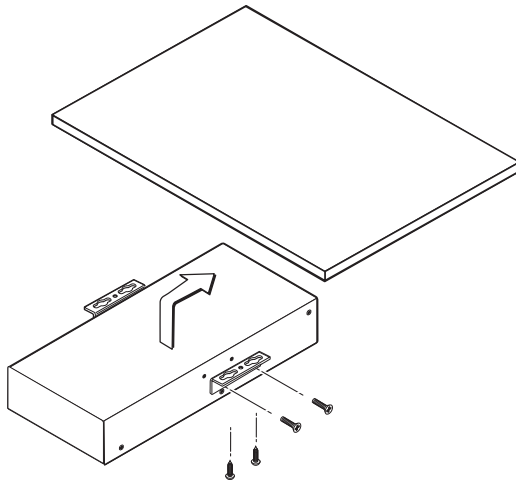


Figure 10 — Under-desk mounting the PS 124

5. Align the mounting screws with the slots in the brackets and place the power supply against the surface, with the screws through the bracket slots.
6. Slide the unit slightly forward or back, then tighten all four screws to secure it in place.

Above-projector mounting

PMK 350

The PMK 350, (part #70-563-03), is an above-projector mounting kit that attaches to a 1" to 2" diameter projector mounting pole (figure 11). It can hold multiple devices in a variety of sizes.

NOTE *These instructions are for the PMK 350. If another above-projector mounting is used, follow the installation instructions for that kit.*

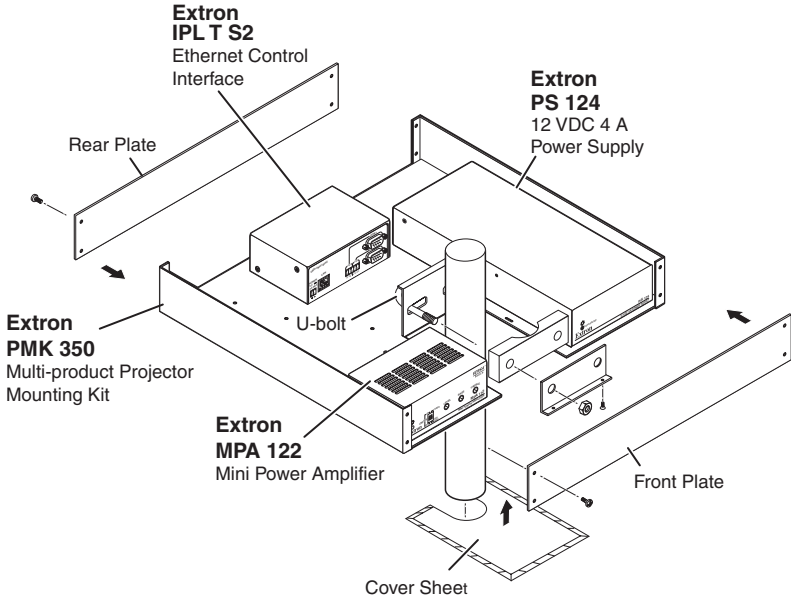


Figure 11 — Projector mounting the PS 124

To mount the PS 124 onto the PMK 350 bracket:

1. Remove the front and rear plates from the PMK 350 (figure 11). Retain the screws to reattach the plates.
2. If necessary, remove the feet from the bottom of the PS 124.
3. Secure the unit to one side of the mounting tray, using two of the 4-40 x 3/16" screws in opposite (diagonal) corners.
4. Place the PMK 350 around the projector ceiling mounting pole (figure 11, above).

5. Assemble the U-bolt and the following parts in order:
 - a. Pass the legs of the U-bolt through the slotted holes on the mount plate flange.
 - b. Place the legs around the ceiling pole.
 - c. Pass the legs through the holes in the contoured base.

NOTE *The pole fits snugly into the depression in the center of the contoured base.*

- d. Pass the legs through the holes in the L-shaped bracket.

NOTE *The bracket slots can accommodate 1.0" to 2.0" diameter poles. The supplied square U-bolt fits 1.5" to 2.0" diameter poles. If a smaller diameter pole is used, obtain the proper size square U-bolt locally.*

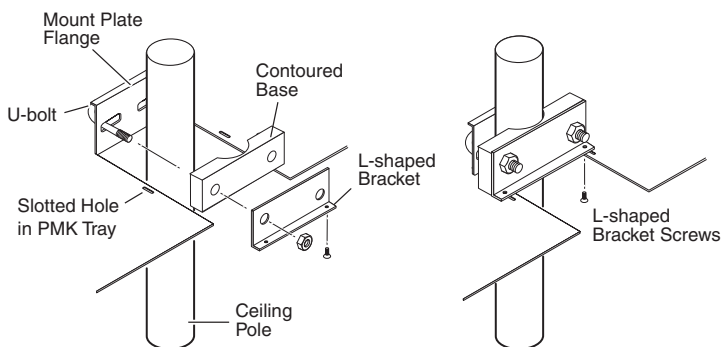


Figure 12 — Projector mounting the PS 124

6. Align the two slotted holes in the bottom of the L-shaped bracket with the two slotted holes in the base of the tray. Secure the L-bracket to the base by inserting two 6-32 x 5/16" screws (provided) through the aligned slots.
7. Move the PMK 350 to the desired location on the ceiling pole, as close to the ceiling as desired.
8. Secure the L-shaped bracket to the U-bolt using the included hex nuts, washers, and lock washers. Tighten the hex nuts securely.

CAUTION *A socket wrench is recommended to tighten the hex nuts so the PMK 350 does not slide down the ceiling pole.*

9. Secure the front panel to the mounting tray with four of the included #6 screws.
10. If desired, apply one of the cover sheets to the underside of the mounting tray (figure 11).

Specifications

General

Power input.....	100 VAC to 240 VAC, 50-60 Hz, internal, 1.2 A No load: 3.6 watts Full load on all outputs: 48 watts
Power output.....	12 VDC, 4 A maximum total current of the 8 outputs

NOTE *Maximum output current is rated at an ambient temperature of 40 °C.*

Temperature/humidity.....	Storage: -40 to +158 °F (-40 to +70 °C) / 10% to 90%, noncondensing Operating: +32 to +122 °F (0 to +50 °C) / 10% to 90%, noncondensing
---------------------------	--

Cooling Convection, no vents

Mounting

Rack mount Yes, with optional 1U rack shelf

Furniture mount..... Yes, with optional under-desk mounting
kit

Pole mount Yes, with optional mounting kit

Enclosure type Metal

Enclosure dimensions..... 1.75" H x 4.3" W x 8.5" D (1U high,
quarter rack wide)
(4.4 cm H x 11.0 cm W x 21.6 cm D)
(Depth excludes connectors.)

Product weight 1.2 lbs (0.5 kg)

Shipping weight 3 lbs (2 kg)

Vibration..... ISTA 1A in carton (International Safe
Transit Association)

Regulatory compliance

Safety..... CE, c-UL, NEC section 300.22 (C), UL
Meets UL 60950-1 and IEC 60950-1.
With the installation of the Extron
Flexible Conduit kit, meets all applicable
requirements of UL 2043 for use in air
handling spaces.

EMI/EMC CE, CISPR 22 Class B, C-tick, EN55022
Class B, FCC Class B, ICES Class B,
VCCI Class B

Environmental..... Complies with the appropriate
requirements of RoHS, WEEE

PS 124, cont'd

MTBF..... 30,000 hours minimum

Warranty..... 3 years parts and labor

NOTE All nominal levels are at $\pm 10\%$.

NOTE Specifications are subject to change without notice.

Included Parts

These items are included in each order for a PS 124 power supply:

Included parts	Part number
PS 124 Power Supply	60-1022-01
(8) 3.5 mm, 2-pole captive screw connectors	100-454-01
(4) Rubber feet (not attached)	
IEC power cord	
Tweezer (small screwdriver)	
<i>PS 124 Installation Manual</i>	

Accessories

Accessories	Part number
Flexible Conduit Adapter Kit	70-228-02
PMK 350 Low Profile Multi-product Projector Mount Kit, white	70-563-03
RSU 129 1U 9.5" Deep Universal rack shelf	60-190-01
RSB 129 1U 9.5" Deep Basic Rack Shelf	60-604-01
MBU 125 1U, 1/2 Rack Width, Under-Desk Mount Kit	70-077-01

Extron's Warranty

Extron Electronics warrants this product against defects in materials and workmanship for a period of three years from the date of purchase. In the event of malfunction during the warranty period attributable directly to faulty workmanship and/or materials, Extron Electronics will, at its option, repair or replace said products or components, to whatever extent it shall deem necessary to restore said product to proper operating condition, provided that it is returned within the warranty period, with proof of purchase and description of malfunction to:

USA, Canada, South America, and Central America:

Extron Electronics
1001 East Ball Road
Anaheim, CA 92805
U.S.A.

Japan: Extron Electronics, Japan
Kyodo Building, 16 Ichibancho
Chiyoda-ku, Tokyo 102-0082
Japan

Europe, Africa, and the Middle East:

Extron Europe
Hanzeboulevard 10
3825 PH Amersfoort
The Netherlands

China:
Extron China
686 Ronghua Road, Songjiang
District
Shanghai 201611
China

Asia:

Extron Asia
135 Joo Seng Road, #04-01
PM Industrial Bldg.
Singapore 368363
Singapore

Middle East:

Extron Middle East
Dubai Airport Free Zone
F12, PO Box 293666
United Arab Emirates, Dubai

This Limited Warranty does not apply if the fault has been caused by misuse, improper handling care, electrical or mechanical abuse, abnormal operating conditions or non-Extron authorized modification to the product.

If it has been determined that the product is defective, please call Extron and ask for an Applications Engineer at (714) 491-1500 (USA), 31.33.453.4040 (Europe), 65.383.4400 (Asia), or 81.3.3511.7655 (Japan) to receive an RA# (Return Authorization number). This will begin the repair process as quickly as possible.

Units must be returned insured, with shipping charges prepaid. If not insured, you assume the risk of loss or damage during shipment. Returned units must include the serial number and a description of the problem, as well as the name of the person to contact in case there are any questions.

Extron Electronics makes no further warranties either expressed or implied with respect to the product and its quality, performance, merchantability, or fitness for any particular use. In no event will Extron Electronics be liable for direct, indirect, or consequential damages resulting from any defect in this product even if Extron Electronics has been advised of such damage.

Please note that laws vary from state to state and country to country, and that some provisions of this warranty may not apply to you.

Extron USA - West Headquarters +800.633.9876 <small>Inside USA / Canada Only</small> +1.714.491.1500 +1.714.491.1517 FAX	Extron USA - East +800.633.9876 <small>Inside USA / Canada Only</small> +1.919.863.1794 +1.919.863.1797 FAX	Extron Europe +800.3987.6673 <small>Inside Europe Only</small> +31.33.453.4040 +31.33.453.4050 FAX	Extron Asia +800.7339.8766 <small>Inside Asia Only</small> +65.6383.4400 +65.6383.4664 FAX	Extron Japan +81.3.3511.7655 +81.3.3511.7656 FAX	Extron China +400.883.1568 <small>Inside China Only</small> +86.21.3760.1568 +86.21.3760.1566 FAX	Extron Middle East +971.4.2991800 +971.4.2991880 FAX
---	---	--	--	---	---	---

© 2009 Extron Electronics. All rights reserved.

Download from Www.Somanuals.com. All Manuals Search And Download.

Free Manuals Download Website

<http://myh66.com>

<http://usermanuals.us>

<http://www.somanuals.com>

<http://www.4manuals.cc>

<http://www.manual-lib.com>

<http://www.404manual.com>

<http://www.luxmanual.com>

<http://aubethermostatmanual.com>

Golf course search by state

<http://golfingnear.com>

Email search by domain

<http://emailbydomain.com>

Auto manuals search

<http://auto.somanuals.com>

TV manuals search

<http://tv.somanuals.com>