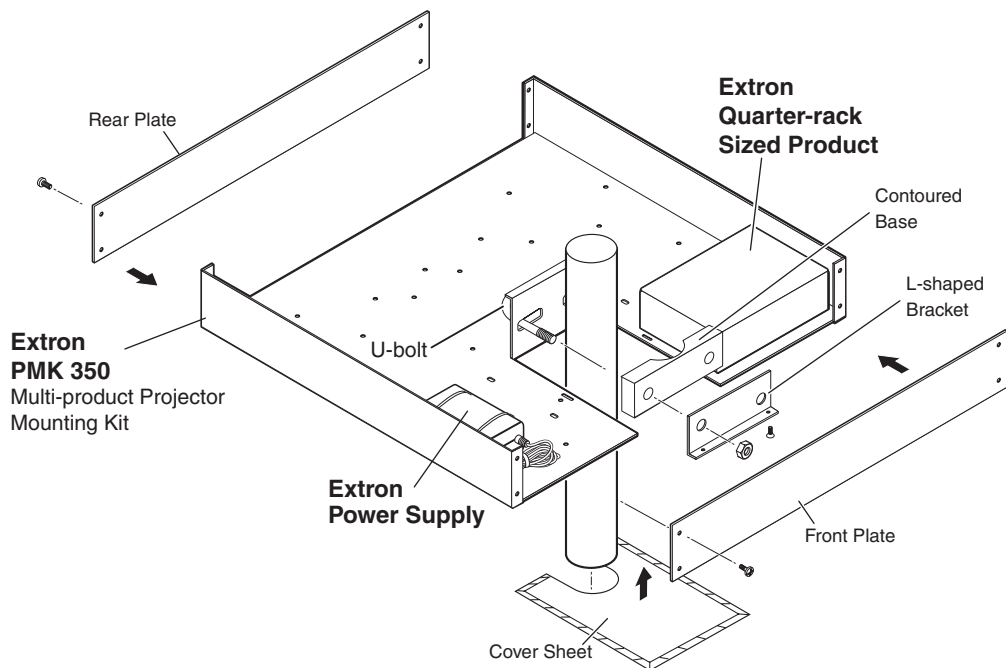


Extron PMK 350 Installation Guide

The PMK 350 Low Profile Multi-product Projector Mounting Kit is an above-projector mounting kit that can hold multiple products of 1/8, 1/4, and 1/2 rack sizes, and their power supplies. Each kit consists of a steel mounting tray that is available in black (part #70-563-02) or white (part #70-563-03); a U-bolt with a contoured brace bracket and an L bracket to secure the PMK to the projector pole; and a plastic, adhesive-backed overlay sheet (either black or white), containing four sizes of covers that can be torn out from the perforated sheet and applied over the opening on the bottom of the mounting tray.

The PMK 350 attaches to a 1.5" to 2" diameter projector mounting pole. Its low 2" height allows it to be mounted in tight spaces between the projector and the ceiling, while its width of 13.6" and depth of 11.5" enable it to accommodate a variety of device sizes.



Mounting a quarter-rack sized product and its power supply

Mounting the PMK 350 to the Projector Pole

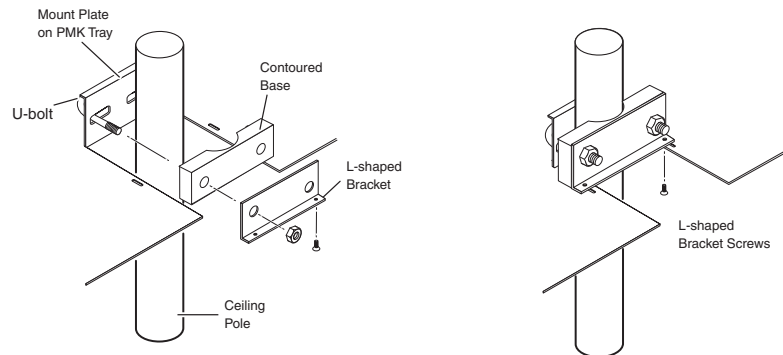
Mount products on the PMK 350 as follows:

1. Remove the front and back panels from the PMK 350, using a #2 Philips screwdriver. Retain the four screws to reattach the plates when you are finished.
2. Remove any rubber feet from the bottom of the device(s) to be mounted.
3. Secure a device to one side of the mounting tray, using two of the supplied 4-40 x 3/16" screws in opposite (diagonal) corners. Use an Extron Tweezer (provided) or a Philips #1 screwdriver to tighten the screws.
4. If a power supply is connected to the device, use the two included cable tie wraps to strap the power supply to the bracket; or attach additional device(s), as described in step 3.
5. Place the PMK 350 around the projector ceiling mounting pole. (See the illustration, above.)

68-1242-01, Rev A
07 06

PMK 350 Installation Guide, cont'd

6. Pass the two legs of the U-bolt through the following parts in the order they are listed below:
 - a. The slotted holes on the back side of the PMK 350 mount plate (then around the ceiling pole)
 - b. The round holes in the rubberized contoured base
 - c. The round holes in the L bracket
7. Place the rubberized contoured base against the pole and opposite the back plate. The pole should fit snugly into the depression in the center of the contoured base.
8. Align the two holes in the bottom of the L bracket with the two slotted holes in the base of the PMK 350, on either side of the opening for the pole; and attach the L bracket to the base by inserting the two provided 6-32 x 5/16" screws through the aligned slots. Tighten the screws slightly; you should still be able to slide the L bracket to adjust it as needed. (See the illustration below.)



Attaching the U-bolt, contoured base, and L bracket to the ceiling pole

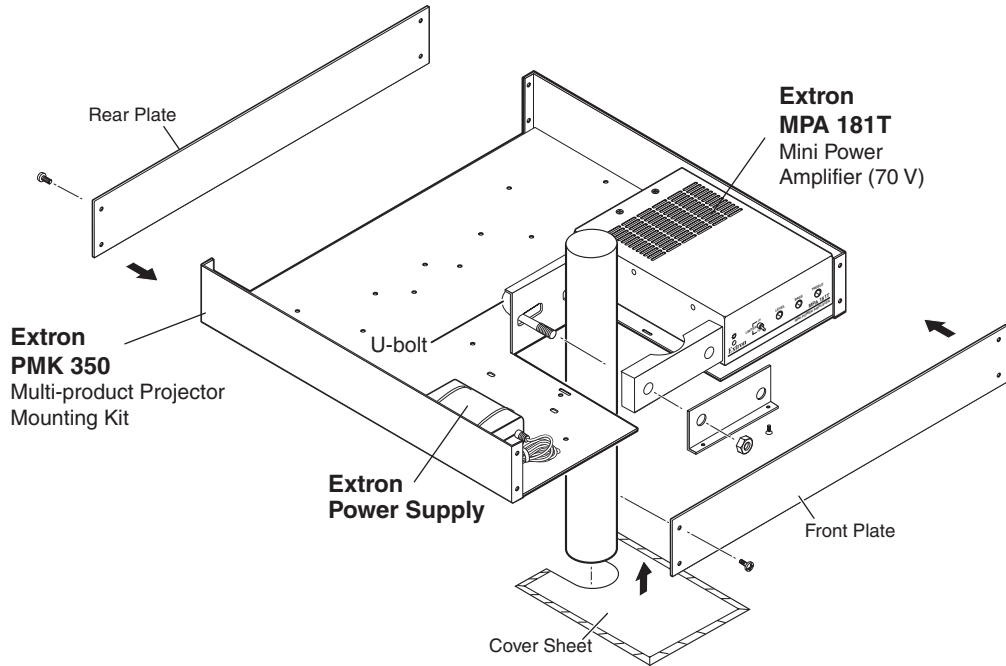
9. Move the PMK 350 up to the desired location on the ceiling pole, as close to the ceiling as desired.
10. Secure the L bracket to the U-bolt, using the included hex nuts. Hand-tighten the hex nuts, make any final adjustments to the PMK's position, then tighten the hex nuts securely, using an 11/16" deep socket or box-end ratchet wrench.

NOTE *Be sure to tighten the hex nuts securely enough that the PMK 350 does not slide down the ceiling pole. It is recommended that you use a socket wrench to tighten them.*

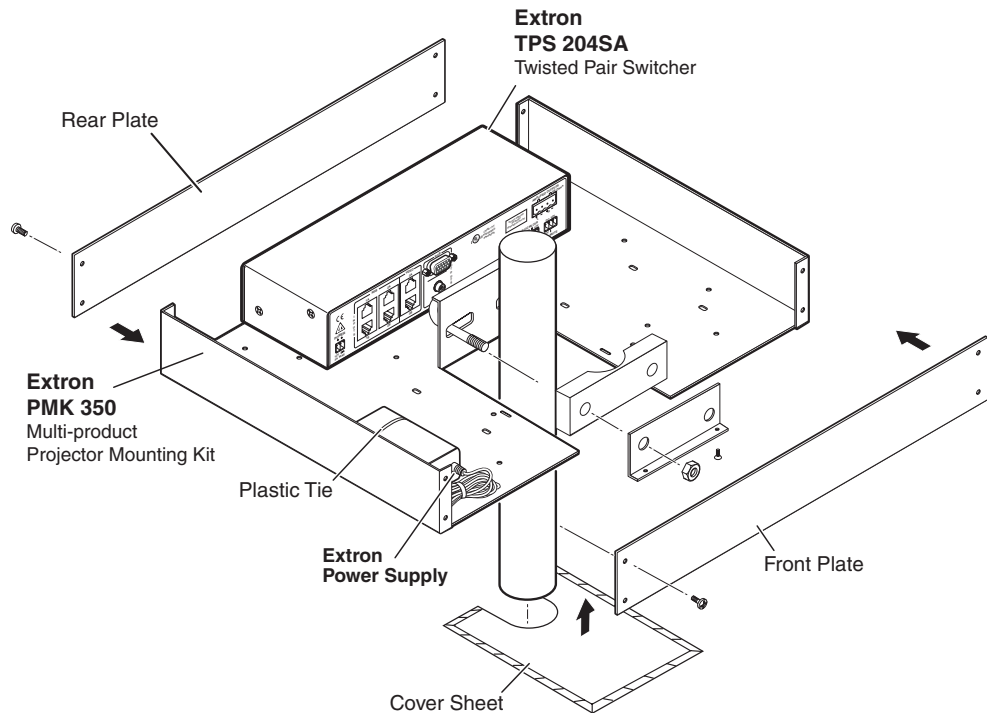
11. Tighten the L bracket screws securely, using a Philips #2 screwdriver.
12. Secure the front panel to the mounting tray with four of the included #6 screws.
13. If desired, tear out one of the four perforated self-adhesive overlay sheets and apply it to the underside of the mounting tray.

Application Diagrams

The following four diagrams show Extron products in a variety of sizes mounted on the PMK 350.

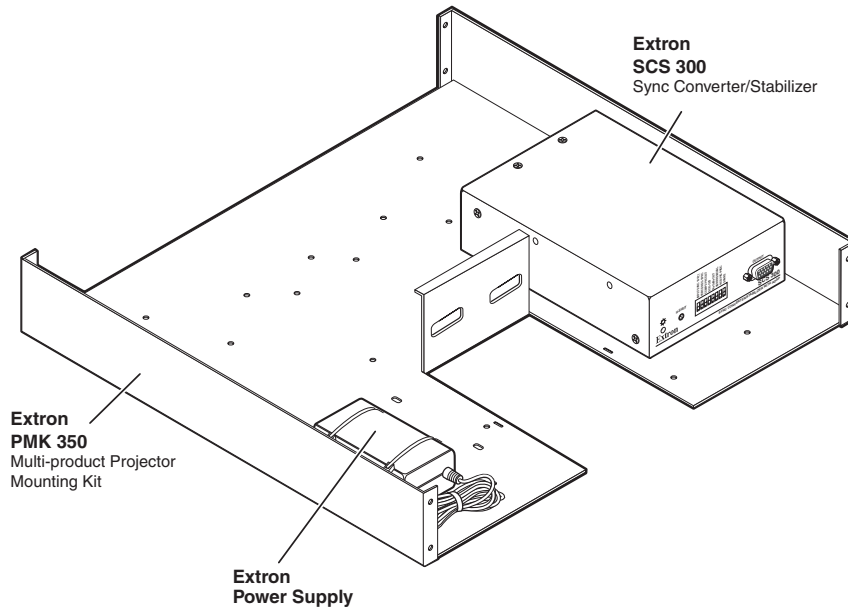


Mounting the MPA 181T and its power supply on the PMK 350

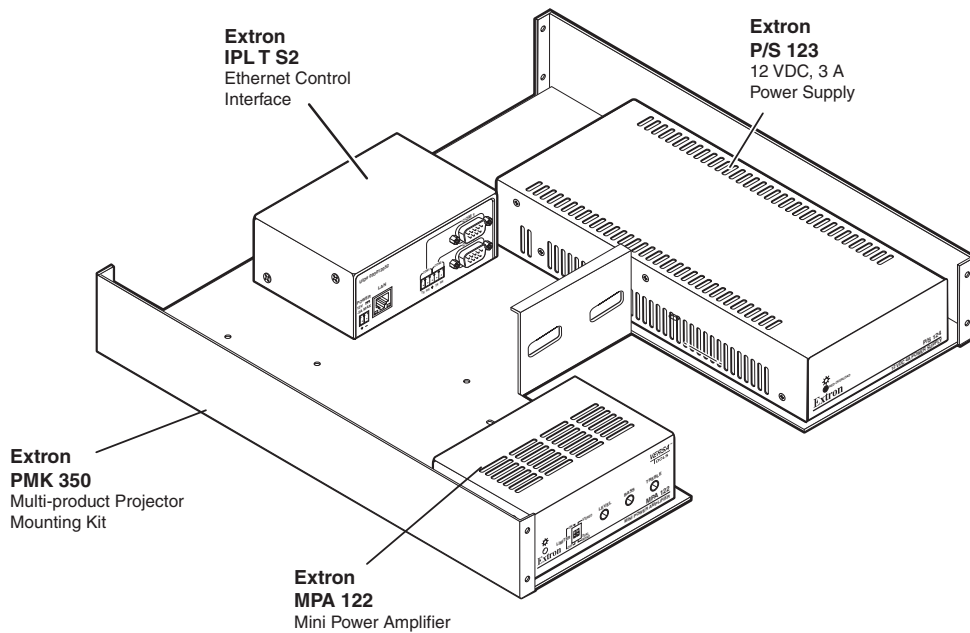


Mounting the TPS 204SA and its power supply on the PMK 350

PMK 350 Installation Guide, cont'd



Mounting the SCS 300 and its power supply on the PMK 350



Mounting multiple products on the PMK 350



Extron Electronics, USA
 1230 South Lewis Street
 Anaheim, CA 92805
 USA
 714.491.1500
 Fax 714.491.1517

Extron Electronics, Europe
 Beeldschermweg 6C
 3821 AH Amersfoort
 The Netherlands
 +31.33.453.4040
 Fax +31.33.453.4050

Extron Electronics, Asia
 135 Joo Seng Road, #04-01
 PM Industrial Building
 Singapore 368363
 +65.6383.4400
 Fax +65.6383.4664

Extron Electronics, Japan
 Kyodo Building
 16 Ichibancho
 Chiyoda-ku, Tokyo 102-0082 Japan
 +81.3.3511.7655
 Fax +81.3.3511.7656

© 2006 Extron Electronics. All rights reserved.

Free Manuals Download Website

<http://myh66.com>

<http://usermanuals.us>

<http://www.somanuals.com>

<http://www.4manuals.cc>

<http://www.manual-lib.com>

<http://www.404manual.com>

<http://www.luxmanual.com>

<http://aubethermostatmanual.com>

Golf course search by state

<http://golfingnear.com>

Email search by domain

<http://emailbydomain.com>

Auto manuals search

<http://auto.somanuals.com>

TV manuals search

<http://tv.somanuals.com>