

SYSTEM 8/10 Plus PROJECTOR COMMUNICATIONS KIT

ATTENTION!

PLEASE READ THIS DOCUMENT FOR IMPORTANT INSTALLATION INSTRUCTIONS

THIS KIT HAS BEEN SHIPPED WITH THE FOLLOWING COMPONENTS:

Kit Type: HUGHES

Included Communications Adapter(s):

<u>Quantity</u>	<u>Part Number</u>	<u>Description</u>
1	26-467-01	ADP, UNV, "A"

THE TABLE BELOW LISTS THE POSSIBLE CONFIGURATION(S) AND CORRESPONDING COMMUNICATIONS ADAPTER(S) FOR YOUR PROJECTOR MANUFACTURER'S VARIOUS MODELS. **PLEASE NOTE THAT YOUR SWITCHER HAS BEEN CONFIGURED AS INDICATED BY THE "✓" IN THE "Config as" COLUMN.** IF YOUR PROJECTOR MODEL **DIFFERS** FROM THIS CONFIGURATION, YOU **MUST** RECONFIGURE YOUR SWITCHER WITH THE CORRECT SETTINGS.

PLEASE REFER TO THE FOLLOWING PAGES FOR COMPLETE CONFIGURATION AND SIGNAL CONNECTION INSTRUCTIONS.

THIS SWITCHER HAS BEEN CONFIGURED FOR: HUGHES/JVC

Config as	Model	Rotary Switches				Cable J2/J3	SW15 Settings										Comm Adapter
		RS1	RS2	RS3	RS4		1	2	3	4	5	6	7	8	9	10	
✓	Hughes-JVC	0	0	6	5	J2	↓	↓	↑	↓	↑	↓	↓	↓	↑	↓	26-467-01
	Hughes DILA	0	0	F	8	J2	↓	↓	↑	↓	↑	↓	↓	↓	↑	↓	26-467-01

Hughes-JVC DILA Projector Configuration (RS-232)

Verify that the System 8/10 Plus is already configured for the Hughes-JVC DILA G1000/G10 projector by following the procedure and switch settings below. The general setup is explained on page 3-4 of your System 8/10 Plus User's Manual.

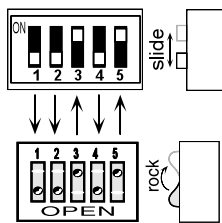
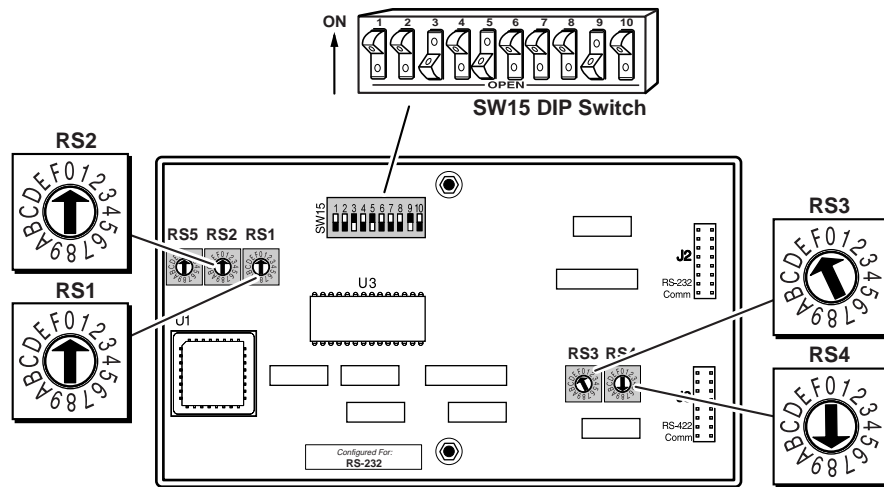
1. Use a small screwdriver to remove the access cover from the System 8/10 Plus front panel. Refer to page 3-3 of the User's Manual.



Before changing anything, remove the AC power cord to the System 8/10 Plus and also turn the projector's power OFF.

2. Set the System 8/10 Plus switches as follows:

Config as	Model	Rotary Switches				Cable J2/J3	SW15 Settings										Comm Adapter
		RS1	RS2	RS3	RS4		1	2	3	4	5	6	7	8	9	10	
	Hughes-JVC DILA	0	0	F	8	J2	↓	↓	↑	↓	↑	↓	↓	↓	↑	↓	26-467-01

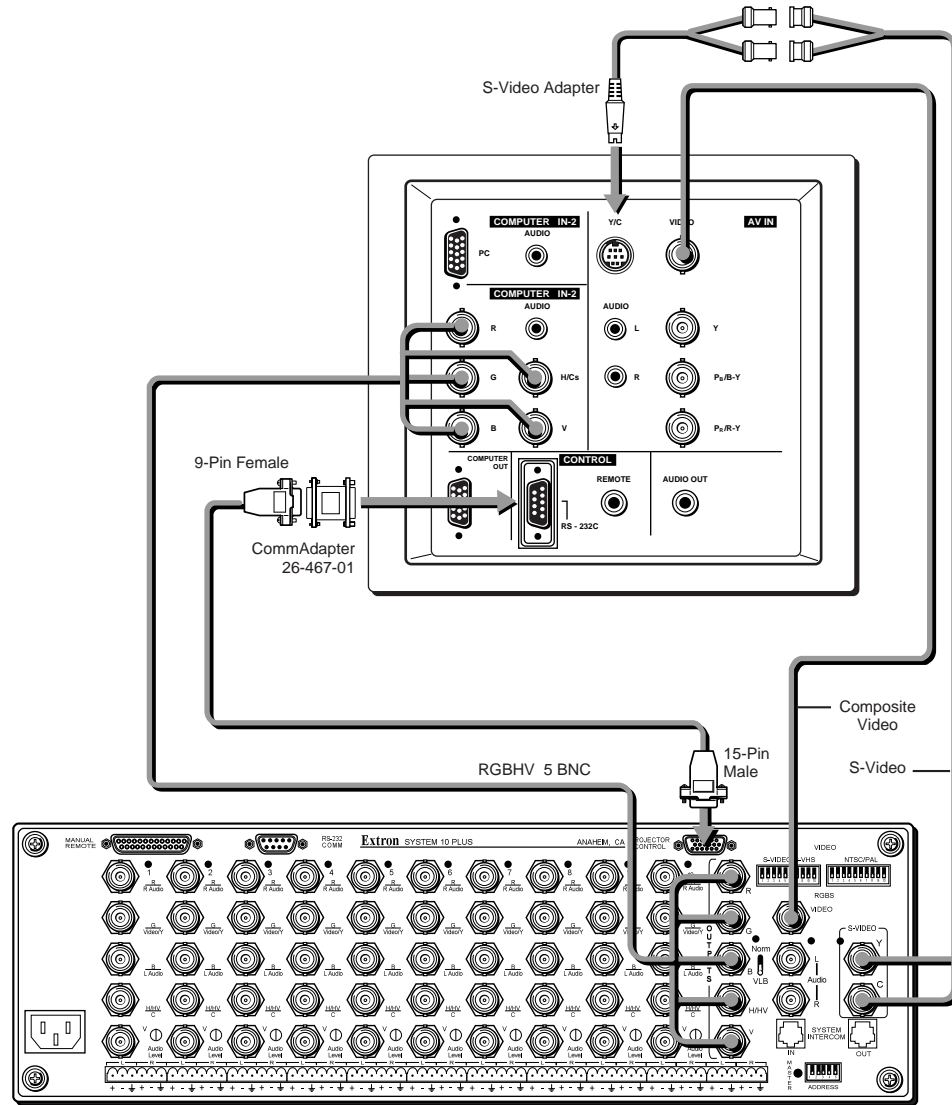


3. Locate the switcher's Address DIP switches on the rear panel, lower right. Unless this is part of a master/slave system, set #3 and #5 to the up position and the others in the down position. See illustration on the left.
4. Use the illustration on the following page and continue with the steps below.
5. Connect the BNC cables from the System 8/10 Plus outputs to the projector inputs according to the application requirements (RGBS, S-Video or Composite Video).
6. Apply Main Power to the System 8/10 Plus by connecting the power cord. The Main Power LED should light. Apply power to the projector.
7. Installation is now completed.



System 8/10 Plus to Hughes-JVC DILA Projector Connections (RS-232)

Use the illustration below as a guide when connecting the System 8/10 Plus to the Hughes-JVC DILA projector. Refer to projector documentation to continue the installation.



When RS-232 control of the projector is used, the projector's IR remote can be used. However, because the projector's IR remote does not communicate with the System 8/10 Plus switcher, the projector and switcher can become out-of-sync if the projector's IR remote is used to change the projector's input, picture mute or power settings. Should this occur, press the power, mute or channel buttons on the switcher to allow the projector and switcher to resynchronize.



If the installation includes looping (master/slave) switchers, see Chapter 5 of the System 8/10 Plus User's Manual.



If Video Loop Back is part of the installation, refer to pages 2-10 and 2-11.

Hughes/JVC Projector Configuration

Check to see if the System 8/10 PLUS is already configured for the Hughes/JVC projector. The general setup is explained on page 3-4 and the switch settings for the Hughes/JVC projector are repeated below.



1. Use a small screwdriver to remove the access cover from the System 8/10 PLUS front panel. See bottom of page 3-3. The label on the back of the access cover also has the configuration information.



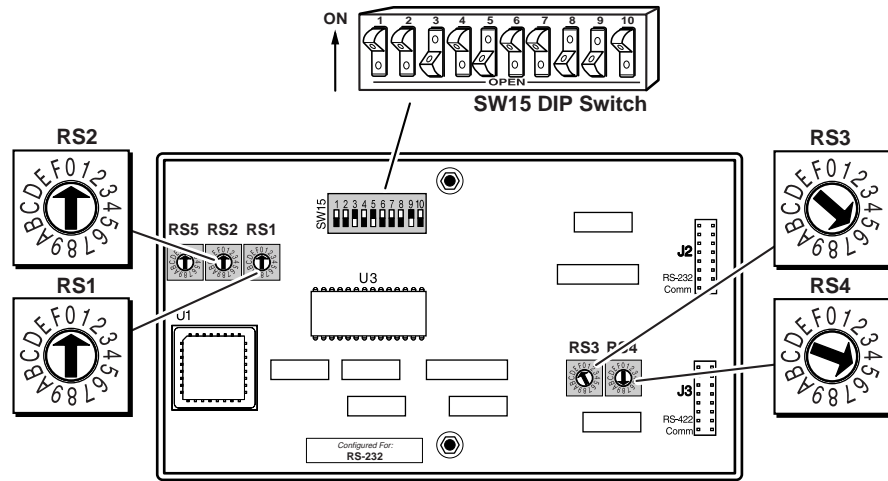
Before changing anything, remove the AC power cord to the System 8/10 PLUS to verify that the main power is OFF; also turn the projector power OFF.

2. Set the switches as follows:

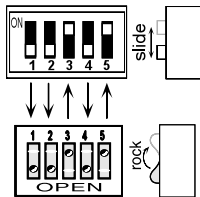
Config as	Model	Rotary Switches				Cable J2/J3	SW15 Settings										Comm Adapter
		RS1	RS2	RS3	RS4		1	2	3	4	5	6	7	8	9	10	
	Hughes-JVC	0	0	6	5	J2	↓	↓	↑	↓	↑	↓	↓	↓	↑	↓	26-467-01



RS5 is for RGB switching delay. See page 3-4 for more information on switch functions.



3. Use a grease pencil (or other rub-off marker) to mark the space on the label next to "Hughes/JVC".
4. Locate the switcher's Address DIP switches on the rear panel, lower right. Unless this is part of a master/slave system, set #3 and #5 to the up position and the others down. See picture to the left.



Use the illustration on the facing page to do the following steps.

5. Connect the Comm Adapter's 9-pin female connector to the 9-pin male "Control Out" connector on the rear panel of the projector.
6. Connect the CC-50' (or CC-100') cable from the 9-pin male connector of the Comm Adapter to the 15-pin HD "Projector Control" port located on the rear panel of the System 8/10 PLUS.



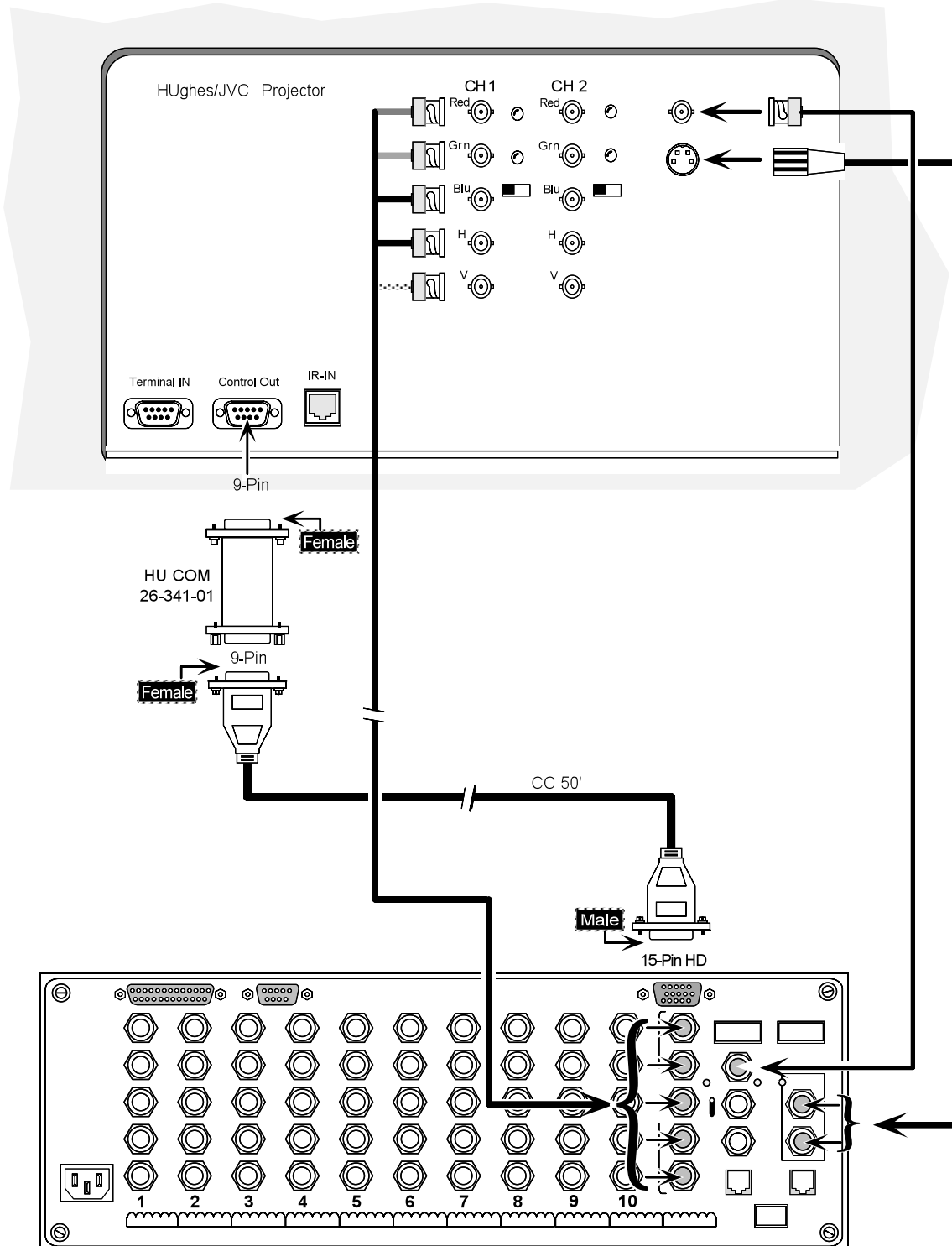
Secure the screws on all D connectors.



7. Connect the BNC (RGBS) cables from the System 8/10 PLUS outputs to the Hughes/JVC projector inputs according to the application requirements. (RGBS, S-Video and/or Composite Video)
8. Apply Main Power to the System 8/10 PLUS by connecting the power cord. The Main Power LED should light. Apply power to the projector.
9. Return System 8/10 PLUS and projector to normal operation.

Hughes/JVC 300/400 Series Projector Connections

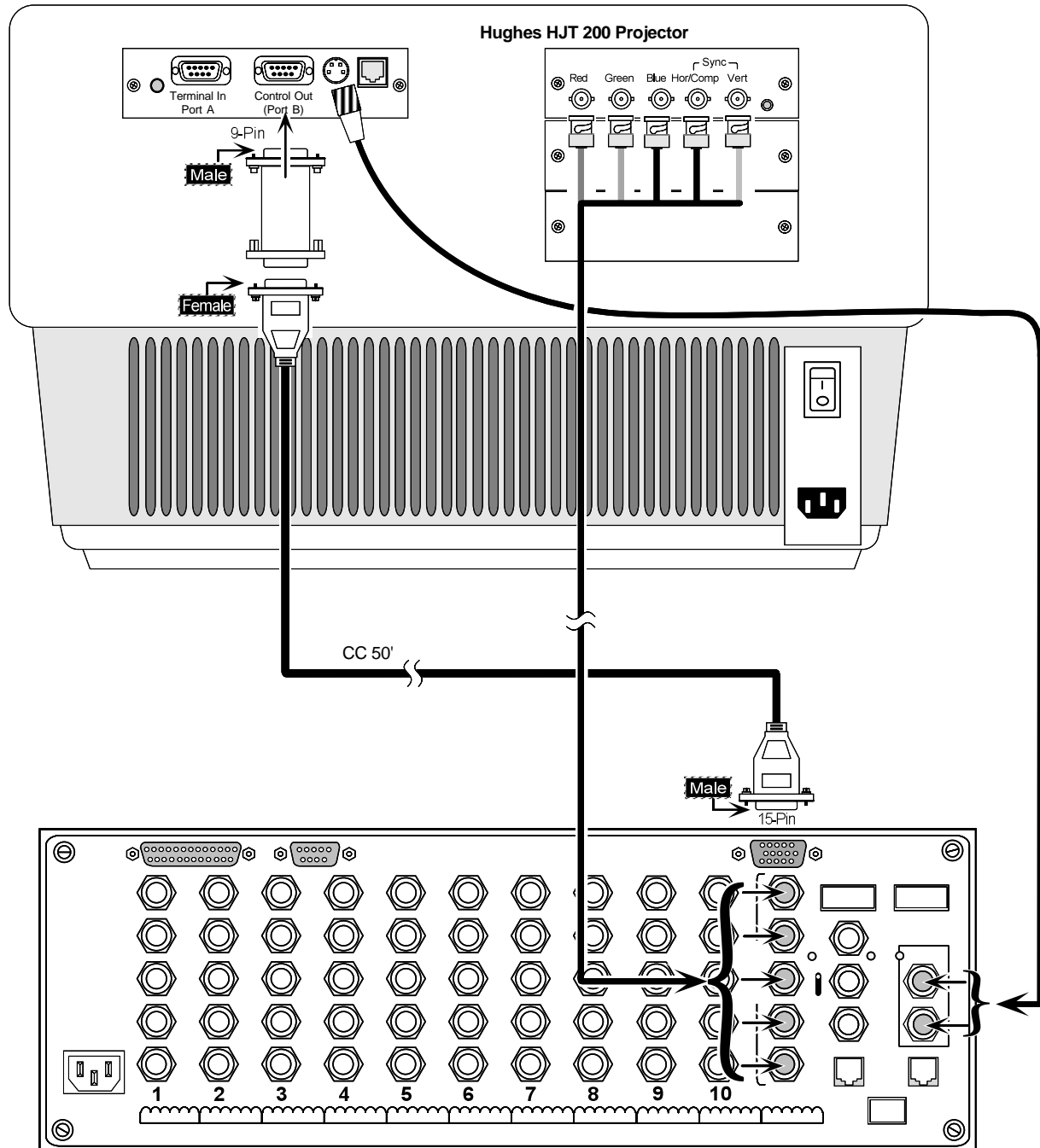
Use the illustration below when connecting the System 8/10 Plus to a Hughes/JVC 300/400 Series projector. Refer to Hughes/JVC documentation to continue the installation.



If the installation includes looping (master/slave) switchers, see Chapter 5. If Video Loop Back is part of the installation, see pages 2-10 and 2-11.

Hughes / JVC Model HJT 100/200 Series Connection Diagram

Use the illustration below as a guide when connecting the System 8/10 PLUS to a Hughes/JVC HJT 100/200 projector. Refer to Hughes documentation to continue the installation.



If the installation includes looping (master/slave) switchers, see Chapter 5.
If Video Loop Back is part of the installation, see pages 2-10 and 2-11.

Special Instructions for the HJT Model 100/200 Series

The projector documentation provides instructions on how to set up and configure the Model 100/200 Series Projector for proper operation with the System 8/10 PLUS.

The baud rate for the Extron switchers is 19200. Since Port A is locked to a baud rate of 9600, Port B should be used for Extron Switchers. The projector port assignment must be selected and the VIC channel assignment must be edited for a switcher. Following is a description of the HJT 100/200 Series Menu.

To select the Baud Rate from the Projector:

1. Go to Main Menu, select #7, **System**, then #4, **Comm. Setup**.
2. From the Comm. Setup menu, select Port B Speed.
3. From the Speed selection list, select 19200.
4. Press Escape to go back to the Comm. Setup level.

To set the projector port assignment from the Projector:

1. From the Comm. Setup menu, select Port B Device.
2. From the Device type list, select #3, **Video Switcher**.
3. Turn power off at the remote control.
4. Wait until the Arc Lamp fans have stopped running and provide a system cold boot by toggling the circuit breaker on the projector rear panel to Off, then back to On.

To edit the VIC channel assignment from the Projector:

(see the Model 100/200 User's Guide, Section 5.3.1 for more information on editing):

1. From the Channels list, select the channel that the switcher will be assigned to.
2. Press Mode. This is a toggle key that brings up a submenu for editing. (Press Mode again to remove the submenu.)
3. Select Edit from the submenu and press Enter.
4. Use the right arrow key to toggle over to the third VIC column.
5. Press Enter and use the up/down arrow keys to select the current switcher channel number. Press Enter when the current switcher channel number is shown.
6. Press Escape to exit the Edit mode.

Free Manuals Download Website

<http://myh66.com>

<http://usermanuals.us>

<http://www.somanuals.com>

<http://www.4manuals.cc>

<http://www.manual-lib.com>

<http://www.404manual.com>

<http://www.luxmanual.com>

<http://aubethermostatmanual.com>

Golf course search by state

<http://golfingnear.com>

Email search by domain

<http://emailbydomain.com>

Auto manuals search

<http://auto.somanuals.com>

TV manuals search

<http://tv.somanuals.com>