

P/2 DA4xi

Four Output VGA Distribution Amplifier



FEATURES

- Input: One female 15-pin HD connector
- Output: Four female 15-pin HD connectors
- 300 MHz (-3 dB) RGB video bandwidth, fully loaded
- Compatible with VGA–QXGA resolutions
- Drives outputs up to 250 feet (75 meters)
- Video gain switch
- Internal international power supply
- Rack and under-desk mountable
- 1U, half rack width 6" deep metal enclosure

DESCRIPTION

The Extron **P/2 DA4xi** is a one input VGA distribution amplifier that splits a signal and distributes it to four separate outputs. With 300 MHz (-3dB) RGB video bandwidth, fully loaded, the P/2 DA4xi is compatible with VGA-QXGA graphic cards, projectors and flat panel displays. Each output is individually buffered and amplified to help maintain the original signal integrity and eliminate noise interference. The P/2 DA4xi also includes a video gain switch which boosts the signal for long cable runs.

| | |
|-----------------------------|-----------------------------------|
| Minimum / Maximum levels... | 0.3 V to 1.5 Vp-p (follows input) |
| Impedance | 75 ohms |
| Return loss | <-40 dB @ 5 MHz |
| DC offset | ±5 mV with input at 0 offset |

SYNC

| | |
|------------------------------|--|
| Input type | RGBHV, RGBS, RGsB, RsGsBs; bi-level and tri-level sync |
| Output type | RGBHV, RGBS, RGsB, RsGsBs; bi-level and tri-level sync (follows input) |
| Input level | 1.8 V to 5.0 Vp-p |
| Output level | TTL: 5.0 Vp-p, unterminated |
| Input impedance | 510 ohms |
| Output impedance | 50 ohms |
| Max. propagation delay | 60 ns |
| Max. Rise / Fall time | 2 ns |
| Polarity | Positive or negative (follows input) |

GENERAL

| | |
|------------------------------|--|
| Power | 100 VAC to 240 VAC, 50/60 Hz, 12 watts, internal, universal |
| Temperature / Humidity | Storage: -40 to +158 °F (-40 to +70 °C) / 10% to 90%, noncondensing Operating: +32 to +122 °F (0 to +50 °C) / 10% to 90%, noncondensing |
| Rack mount | Yes, with optional 1U, 9.5" deep rack shelf, part #60-190-01 (RSU 129) or 60-604-01 (RSB 129); or 1U, 6" deep rack shelf, part #60-190-10 (RSU 126) or 60-604-10 (RSB 126) Also furniture mountable with optional under-desk mounting kit, part #70-077-01 (MBU 125); or through-desk mounting kit, part #70-077-02 (MBD 129) |

| | |
|----------------------------|---|
| Enclosure type | Metal |
| Enclosure dimensions | 1.6" H x 8.7" W x 6.0" D (1U high, half rack wide) 4.1 cm H x 22.1 cm W x 15.2 cm D (Depth excludes connectors.) |
| Product weight | 2.0 lbs (0.9 kg) |
| Shipping weight | 4 lbs (2 kg) |
| Vibration | ISTA 1A in carton (International Safe Transit Association) |
| Listings | UL, CUL |
| Compliances | CE, FCC Class A, VCCI, AS/NZS, ICES |
| MTBF | 30,000 hours |
| Warranty | 3 years parts and labor |

NOTE: All nominal levels are at ±10%. Specifications are subject to change without notice.

SPECIFICATIONS

VIDEO

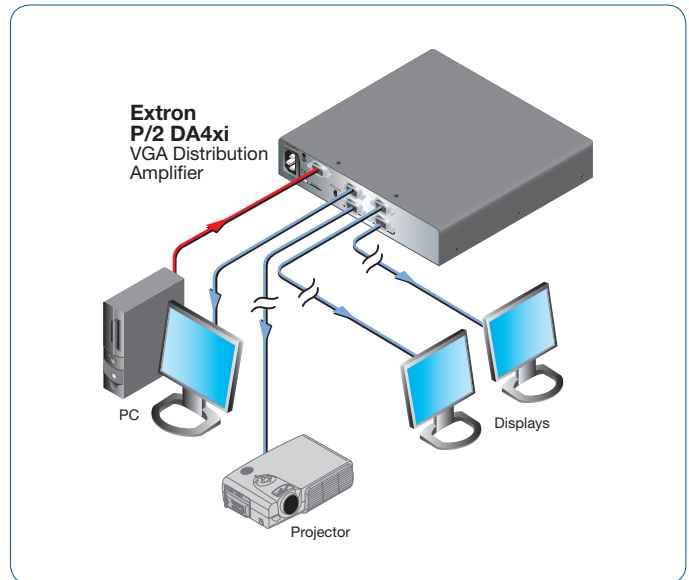
| | |
|-----------------|--|
| Gain | 0 dB or +3 dB (when input is 0.7 Vp-p, output is 0.7 V or 1.0 V), switchable |
| Bandwidth | 300 MHz (-3 dB), fully loaded |

VIDEO INPUT

| | |
|-----------------------------|--|
| Number / Signal type | 1 VGA-UXGA RGBHV, RGBS, RGsB, RsGsBs, HDTV component video, S-video, composite video |
| Connectors | (1) 15-pin HD female (optional Mac/VGA adapters are available) |
| Nominal level | 1.0 Vp-p for Y of component video and S-video, and for composite video 0.7 Vp-p for RGB and for R-Y and B-Y of component video 0.3 Vp-p for C of S-video |
| Minimum / Maximum levels... | Analog: 0.3 V to 1.5 Vp-p with no offset at unity gain |
| Impedance | 75 ohms |
| Horizontal frequency | 15 kHz to 135 kHz |
| Vertical frequency | 30 Hz to 150 Hz |
| Return loss | <-40 dB @ 5 MHz |
| Input coupling | DC |

VIDEO OUTPUT

| | |
|----------------------------|--|
| Number / Signal type | 4 VGA-QXGA RGBHV, RGBS, RGsB, RsGsBs, HDTV component video, S-video, composite video (follows input type) |
| Connectors | (4) 15-pin HD female |
| Nominal level | 1.0 Vp-p for Y of component video and S-video, and for composite video 0.7 Vp-p for RGB and for R-Y and B-Y of component video 0.3 Vp-p for C of S-video |



MODEL

| | | |
|-----------|--------------------|-----------|
| P/2 DA4xi | 1x4 VGA-QXGA | 60-246-03 |
|-----------|--------------------|-----------|

OPTIONAL ACCESSORIES

| MODEL DESCRIPTION | PAGE | PART # |
|---|----------|-----------|
| 1U 9.5" Deep Universal Rack Shelf | page 819 | 60-190-01 |
| 1U 9.5" Deep Basic Rack Shelf | page 819 | 60-604-01 |
| 1U, 1/2 & 1/4 Rack Width, Under-Desk Mount Kit for Two-Piece Enclosure..... | page 815 | 70-077-01 |

Free Manuals Download Website

<http://myh66.com>

<http://usermanuals.us>

<http://www.somanuals.com>

<http://www.4manuals.cc>

<http://www.manual-lib.com>

<http://www.404manual.com>

<http://www.luxmanual.com>

<http://aubethermostatmanual.com>

Golf course search by state

<http://golfingnear.com>

Email search by domain

<http://emailbydomain.com>

Auto manuals search

<http://auto.somanuals.com>

TV manuals search

<http://tv.somanuals.com>