

# DA RGBHV Series

Two, Four, or Six Output Wideband RGBHV Distribution Amplifiers



## COMMON FEATURES

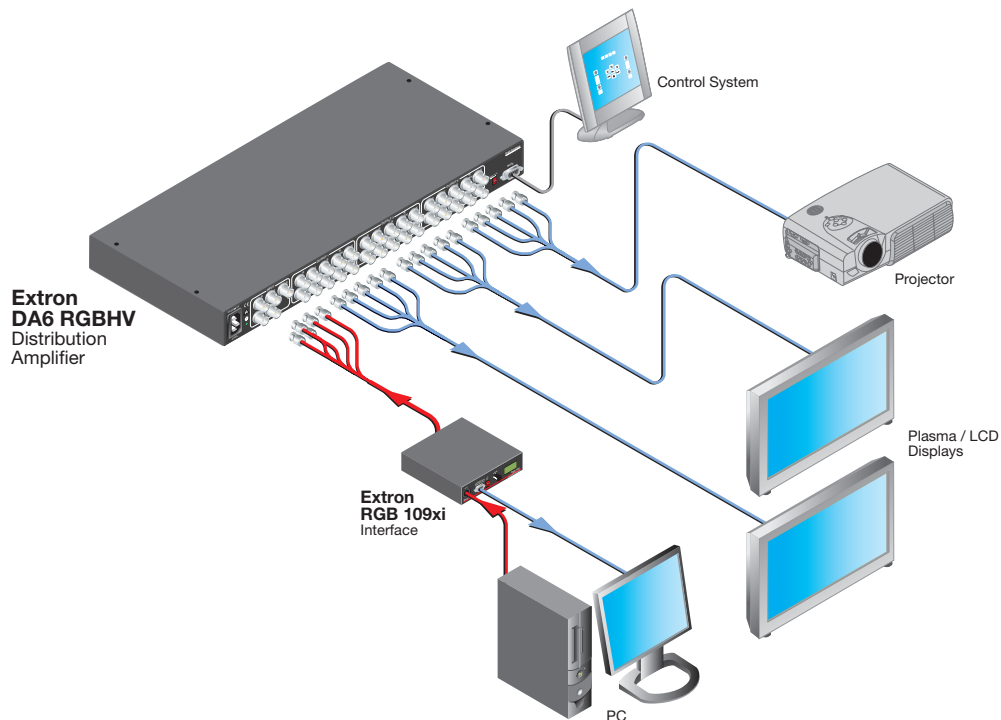
- 350 MHz (-3 dB) RGB bandwidth, fully loaded
- Compatible with RGBHV, RGBS, RGSB, RsGsBs, component video, S-video, and composite video
- Selectable gain and peaking
- Selectable input AC or DC coupling
- Individual output muting control via contact closure
- Internal international power supply

## DESCRIPTION

The Extron **DA RGBHV Series** of distribution amplifiers split a signal from a high resolution source and distribute it to multiple outputs, providing amplification and enhancement of the signal to maintain signal quality.

Models in this series include the DA2 RGBHV, DA4 RGBHV, and DA6 RGBHV. Each of these models is rack-mountable and accepts and distributes RGBHV, RGBS, RGSB, RsGsBs, HDTV/component video, S-video, composite video on female BNC connectors.

In addition, the DA RGBHV Series provides DIP switches for adjusting RGB gain and peaking, as well as for selecting input AC or DC coupling. An output muting control offers muting of any one or all outputs when used with a third-party control system. With 350 MHz (-3dB) RGB video bandwidth, fully loaded, the DA RGBHV Series maintains signal integrity over long cable runs from high-resolution PCs and CAD workstations to multiple graphics projectors or display monitors.



Continued →

DA RGBHV Series

# DA2 RGBHV

Two Output Wideband RGBHV Distribution Amplifier

**UNIQUE FEATURES**

- Input: One set of female BNC connectors
- Outputs: Two sets of female BNC connectors
- 1U, half rack width metal enclosure



MODEL	VERSION DESCRIPTION	PART #
DA2 RGBHV	1x2 RGBHV .....	60-488-01

# DA4 RGBHV

Four Output Wideband RGBHV Distribution Amplifier

**UNIQUE FEATURES**

- Input: One set of female BNC connectors
- Outputs: Four sets of female BNC connectors
- 1U, full rack width metal enclosure
- Includes rack ears, part # 70-077-03



MODEL	VERSION DESCRIPTION	PART #
DA4 RGBHV	1x4 RGBHV .....	60-489-01

# DA6 RGBHV

Six Output Wideband RGBHV Distribution Amplifier

**UNIQUE FEATURES**

- Input: One set of female BNC connectors
- Outputs: Six sets of female BNC connectors
- Includes rack ears, part # 70-077-03



MODEL	VERSION DESCRIPTION	PART #
DA6 RGBHV	1x6 RGBHV .....	60-490-01

## DA RGBHV Series Accessories

INCLUDED ACCESSORIES	MODEL DESCRIPTION	PAGE	PART #
<b>For DA4 RGBHV &amp; DA6 RGBHV</b>			
MBD 149	1U, Full Rack Width, Rack Mount and Through-Desk Kit for Four-Piece Enclosure ...	page 817	70-077-03
OPTIONAL ACCESSORIES	MODEL DESCRIPTION	PAGE	PART #
<b>For DA2 RGBHV only</b>			
RSU 129	1U 9.5" Deep Universal Rack Shelf Kit .....	page 819	60-190-01
MBU 129	1U, 1/2 Rack Width Under-Desk Mount Kit for Four-Piece Enclosure .....	page 816	70-219-01

Continued →

## DA RGBHV Series

## SPECIFICATIONS

## VIDEO

Gain	Unity (0 dB), or (1.1 dB) 110%, switch-selectable (When input = 0.7 V, output = 0.7 V or 0.8 V, respectively.)
Peaking	0 dB or +6 dB at 100 MHz, switch-selectable
Bandwidth	350 MHz (-3 dB), fully loaded
Differential phase error	<1.0° at 5 MHz
Differential gain error	<1.0% at 5 MHz

## VIDEO INPUT

Number / Signal type	1 RGBHV, RGBS, RGSB, RsGsBs, component video, S-video, composite video
Connectors	5 female BNC
Nominal level (at unity gain)	1 Vp-p for Y of component video and S-video, and for composite video 0.7 Vp-p for RGB 0.3 Vp-p for R-Y and B-Y of component video, and for C of S-video
Minimum / Maximum levels	Analog: 0.3 V to 1.5 Vp-p with no offset at unity gain
Impedance	75 ohms
Horizontal frequency	15 kHz to 180 kHz
Vertical frequency	15 Hz to 170 Hz
Return loss	<-38 dB @ 5 MHz
DC offset (max. allowable)	5.0 V (in AC coupling mode)
Input coupling	AC/DC, switch-selectable

## VIDEO OUTPUT

Number / Signal type	2, 4, or 6 RGBHV, RGBS, RGSB, RsGsBs, component video, S-video, composite video (follows input type)
Connectors	(2, 4, or 6) x 5 BNC female
Nominal level	1 Vp-p for Y of component video and S-video, and for composite video 0.7 Vp-p for RGB 0.3 Vp-p for R-Y and B-Y of component video, and for C of S-video
Minimum / Maximum levels	0.3 Vp-p to 1.5 Vp-p (follows input)
Impedance	75 ohms
Return loss	<-44 dB @ 5 MHz
DC offset	±5 mV with input at 0 offset

## SYNC

Input / Output type	RGBHV, RGBS, RGSB, RsGsBs
Input level	Analog or TTL: 0.5 V to 5 Vp-p
Output level	TTL: 5 Vp-p, unterminated
Input impedance	510 ohms
Output impedance	75 ohms
Max. input voltage	5.0 Vp-p
Max. propagation delay	35 ns
Max. Rise / Fall time	4 ns
Polarity	Positive or negative (follows input)

## CONTROL / REMOTE – DISTRIBUTION AMPLIFIER

Contact closure	(1) 9-pin female D connector
Contact closure pin configurations	Pin 1 = mute output #1, pin 2 = mute all outputs, pin 3 = reserved, pin 4 = mute output #2, pin 5 = GND, pin 6 = mute output #3, pin 7 = mute output #4, pin 8 = mute output #5, pin 9 = mute output #6

## GENERAL

Power	100 VAC to 240 VAC, 50/60 Hz, 10 watts, internal, universal
Temperature / Humidity	Storage: -40 to +158 °F (-40 to +70 °C) / 10% to 90%, noncondensing Operating: +32 to +122 °F (0 to +50 °C) / 10% to 90%, noncondensing
Rack mount	
DA2 RGBHV	Yes, with optional 1U rack shelf, part #60-190-01
DA4 RGBHV and DA6 RGBHV	Yes, with included brackets
Enclosure type	Metal
Enclosure dimensions	
DA2 RGBHV	1.7" H x 8.7" W x 9.4" D (1U high, half rack wide) 4.3 cm H x 22.1 cm W x 23.9 cm D
DA4 RGBHV and DA6 RGBHV	1.75" H x 17.5" W x 8.5" D (1U high, full rack wide) 4.4 cm H x 44.4 cm W x 21.6 cm D (Depth excludes connectors.)
Product weight	
DA2 RGBHV	2.0 lbs (0.9 kg)
DA4 RGBHV	3.7 lbs (1.7 kg)
DA6 RGBHV	3.9 lbs (1.8 kg)
Shipping weight	
DA2 RGBHV	4 lbs (2 kg)
DA4 RGBHV and DA6 RGBHV	7 lbs (4 kg)
Vibration	ISTA 1A in carton (International Safe Transit Association)
Listings	UL, CUL
Compliances	CE, FCC Class A, VCCI, AS/NZS, ICES
MTBF	30,000 hours
Warranty	3 years parts and labor

NOTE: All nominal levels are at ±10%. Specifications are subject to change without notice.

## Free Manuals Download Website

<http://myh66.com>

<http://usermanuals.us>

<http://www.somanuals.com>

<http://www.4manuals.cc>

<http://www.manual-lib.com>

<http://www.404manual.com>

<http://www.luxmanual.com>

<http://aubethermostatmanual.com>

Golf course search by state

<http://golfingnear.com>

Email search by domain

<http://emailbydomain.com>

Auto manuals search

<http://auto.somanuals.com>

TV manuals search

<http://tv.somanuals.com>