

DA RGBHV Series

ANALOG RGBHV DISTRIBUTION AMPLIFIERS

- 350 MHz (-3dB) RGB video bandwidth, fully loaded
- Compatible with RGBHV, RGBS, RGSB, RsGsBs, component video, S-video, and composite video
- Gain/peaking adjustments
- AC or DC coupling
- Individually buffered outputs
- Output muting control
- Internal international power supply
- Rack mountable metal enclosure



DA6 RGBHV

The Extron DA RGBHV Series of distribution amplifiers split a signal from a high-resolution source and distribute it to multiple outputs, providing amplification and enhancement of the signal to maintain signal quality. Models in this series include the DA2 RGBHV, DA4 RGBHV, and DA6 RGBHV.



Extron® Electronics

www.extron.com

DESCRIPTION

The Extron DA RGBHV Series includes three models of rack-mountable, analog distribution amplifiers: two output (**DA2 RGBHV**), a four output (**DA4 RGBHV**), and a six output (**DA6 RGBHV**). Each of these models accept and distribute RGBHV, RGsB, RsGsBs, HDTV/component video, S-video, composite video on female BNC connectors. In addition, the DA RGBHV Series provides DIP switches for adjusting RGB gain and peaking, as well as for selecting input AC or DC coupling. An output muting control offers muting of any one or all outputs when used with a third-party control system. With 350 MHz (-3dB) RGB video bandwidth, fully loaded, the DA RGBHV Series maintains signal integrity over long cable runs from high-resolution PCs and CAD workstations to multiple graphics projectors or display monitors.

FEATURES

- 350 MHz (-3dB) RGB video bandwidth, fully loaded
- Compatible with RGBHV, RGsB, RsGsBs, HDTV/component video, S-video, and composite video
- Gain/peaking adjustments
- AC or DC coupling
- Output muting control on 9-pin contact closure connector
- LED power indicator
- 1U high, half rack (DA2 RGBHV only) or full rack width, metal enclosure
- Internal international 100-240 VAC 50/60 Hz power supply

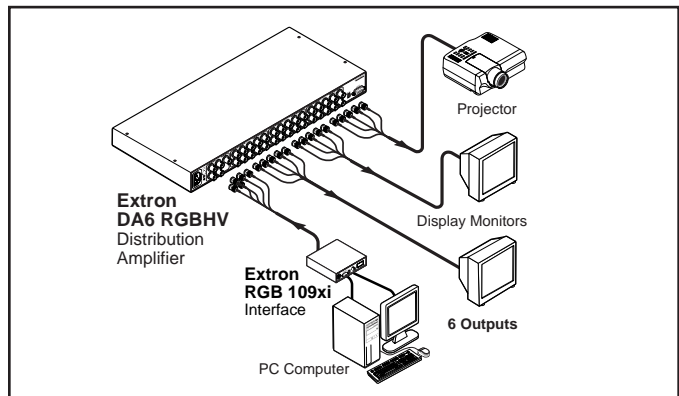
SPECIFICATIONS

VIDEO	
Gain	Unity (0.7V), or (0.8V) 100%, switch selectable
Peaking	0dB or +6dB at 100 MHz, switch-selectable
Bandwidth	350 MHz (-3dB), fully loaded
Differential phase error	<1.0°, 0 to 100 MHz
Differential gain error	<1.0%, 0 to 100 MHz
VIDEO INPUT	
Number/signal type	1 RGBHV, RGsB, RsGsBs, component video, S-video, composite video
Connectors	5 female BNC
Minimum/maximum levels	Analog, 0.3V p-p to 1.5V p-p with no offset at unity gain
Impedance	75 ohms
Horizontal frequency	15 kHz to 180 kHz
Vertical frequency	15 Hz to 170 Hz
Return loss	-38.5dB @ 5 MHz
Maximum DC offset	5.0V (in AC coupling mode)
AC/DC coupling	Yes, switch selectable
VIDEO OUTPUT	
Number/signal type	2, 4, or 6 RGBHV, RGsB, RsGsBs, component video, S-video, composite video, digital video

SPECIFICATIONS (CONT.)

Connectors	2, 4, or 6 x 5 BNC female
Minimum/maximum level(s)	0.3V p-p to 1.5V p-p
Impedance	75 ohms
Return loss	-44dB @ 5 MHz
DC offset	±5mV maximum with input at 0 offset
SYNC	
Input/output type	RGBHV, RGsB, RsGsBs
Input level	Analog or TTL, 0.5V to 5V p-p
Output level	TTL, 5V p-p (not terminated)
Input impedance	510 ohms
Output impedance	75 ohms
Max. input voltage	5.0V p-p
Max. propagation delay	35 ns
Max. rise/fall time	4 ns
Polarity	Positive or negative (follows input)
CONTROL/REMOTE — DISTRIBUTION AMPLIFIER	
Contact closure	1 9-pin female D connector
GENERAL	
Power	100VAC to 240VAC, 50/60 Hz, 10 watts, internal, auto-switchable
Rack mount	
DA2 RGBHV	Yes, with optional 1U rack shelf, part #60-190-01
All other models	Yes, with included brackets
Enclosure type	Metal
Enclosure dimensions	
DA2 RGBHV	1.75" H x 8.75" W x 9.5" D (1U high, half rack width) 4.4 cm H x 22.2 cm W x 24.1 cm D
All other models	1.75" H x 17.5" W x 8.5" D (1U high, full rack width) 4.4 cm H x 44.4 cm W x 21.6 cm D (Depth excludes connectors.)
Product weight	6 lbs (2.7 kg)
Shipping weight	12 lbs (5.4 kg)
Listings/Compliances	UL, CUL, CE, FCC Class A, VCCI, AS/NZS, ICES
Warranty	3 years parts and labor
Model	Part Number
DA2 RGBHV	60-488-01
DA4 RGBHV	60-489-01
DA6 RGBHV	60-490-01
Accessories	
1U 19" (48cm) Rack Shelf Kit (DA2 RGBHV)	60-190-01
Table Mounting Bracket Kit (DA2 RGBHV)	70-077-01

APPLICATION DIAGRAM



Extron Electronics, USA
1230 South Lewis Street
Anaheim, CA 92805
800.633.9876 714.491.1500
FAX 714.491.1517

Extron Electronics, Europe
Beeldschermweg 6C, 3821 AH Amersfoort
The Netherlands
+800.3987.6673 +31.33.453.4040
FAX +31.33.453.4050

Extron Electronics, Asia
135 Joo Seng Rd. #04-01
PM Industrial Bldg.
Singapore 368363
+65.6383.4400 FAX +65.6383.4664

Extron Electronics, Japan
Daisan DMJ Bldg. 6F, 3-9-1 Kudan Minami
Chiyoda-ku, Tokyo 102-0074
Japan
+81.3.3511.7655 FAX +81.3.3511.7656

Free Manuals Download Website

<http://myh66.com>

<http://usermanuals.us>

<http://www.somanuals.com>

<http://www.4manuals.cc>

<http://www.manual-lib.com>

<http://www.404manual.com>

<http://www.luxmanual.com>

<http://aubethermostatmanual.com>

Golf course search by state

<http://golfingnear.com>

Email search by domain

<http://emailbydomain.com>

Auto manuals search

<http://auto.somanuals.com>

TV manuals search

<http://tv.somanuals.com>