

DA SV EQ Series

S-Video Distribution Amplifiers with Gain and EQ Controls



COMMON FEATURES

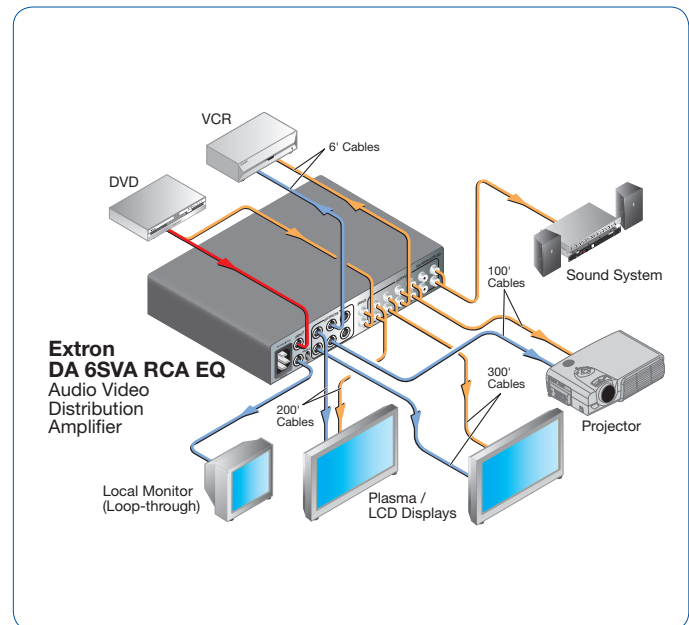
- 150 MHz (-3 dB) video bandwidth, fully loaded
- Variable gain and EQ controls for luma signal
- Variable gain control for chroma signal
- Independent variable gain and EQ control for every two outputs
- Buffered and amplified outputs
- Video inputs and outputs on 4-pin mini DIN connectors
- Input loop-through
- Balanced/unbalanced stereo audio on captive screw connectors or RCA jacks
- 1U, 6" deep, half-rack metal enclosure
- Internal international power supply

DESCRIPTION

The Extron **DA SV EQ Series** high performance distribution amplifiers are designed to split and extend S-video and audio signals over long cable runs while maintaining the quality and strength of a signal source.

The DA SV EQ Series includes three distribution amplifiers for S-video and audio signals. With 150 MHz (-3dB) video bandwidth, fully loaded, each model features gain adjustments to allow for compensation of signal level loss that occurs over long cable runs and EQ adjustments to compensate for high frequency loss. All models are compatible with NTSC, PAL, and SECAM video signals, and allow for cable runs of 600 feet (180 meters) to 1,000 feet (300 meters) or more, depending on the quality of the S-video cable. Each model also includes input loop-through capabilities, which enables users to add more amplifiers and create a larger DA system or drive a local monitor.

Housed in durable and compact half-rack metal enclosures, the DA AV EQ Series is designed for easy integration into both new and existing A/V systems including boardrooms, training facilities, home theater, command and control centers, and rental and staging environments.



Continued →

DA SV EQ Series

S-Video Models

DA 6SV EQ

Six Output S-Video Distribution Amplifier with Gain and EQ Controls



MODEL	VERSION DESCRIPTION	PART #
DA 6SV EQ	1x6 S-Video	60-692-02

S-Video and Stereo Audio Models

DA 6SVA EQ

Six Output S-Video and Stereo Audio Distribution Amplifier with Gain and EQ Controls

UNIQUE FEATURES

- Balanced/unbalanced stereo audio input and output on captive screw connectors



MODEL	VERSION DESCRIPTION	PART #
DA 6SVA EQ	1x6 S-Video w/Audio	60-692-22

DA 6SVA RCA EQ

Six Output S-Video and Stereo Audio Distribution Amplifier with Gain and EQ Controls

UNIQUE FEATURES

- Unbalanced stereo audio on RCA jacks



MODEL	VERSION DESCRIPTION	PART #
DA 6SVA RCA EQ	1x6 S-Video w/Audio on RCAs	60-692-32

DA SV EQ Series Accessories

OPTIONAL ACCESSORIES	MODEL DESCRIPTION	PAGE	PART #
RSU 126	1U 6" Deep Universal Rack Shelf Kit	page 819	60-190-10
RSB 126	1U 6" Deep Basic Rack Shelf	page 819	60-604-10
CSR 6	Captive Screw to RCA Female Audio Adapter	page 796	26-575-01

Continued →

DA SV EQ Series

SPECIFICATIONS

VIDEO

Gain
 Y -1 dB to +3 dB (x 0.9 to x 1.4), adjustable per every 2 outputs
 C (chroma) 0 dB to +10 dB (x 1 to x 3), adjustable
Equalization 0 dB to +6 dB (x 1 to x 2) at 5 MHz, adjustable per every 2 outputs
Bandwidth 150 MHz (-3 dB)
Output cable driving distance Up to 1000 feet with Mini HR cable, up to 1500 feet with RG6 or RG59 cables

VIDEO INPUT AND LOOP-THROUGH

Number / Signal type 1 S-video, 1 S-video passive loop-through
Connectors 1 female 4-pin mini DIN (input), 1 female 4-pin mini DIN (loop-through)
Nominal level 1 Vp-p for Y of S-video
 0.3 Vp-p for C of S-video
Minimum / Maximum levels Y: 0.4 V to 2.0 Vp-p with no offset at unity gain
Impedance 75 ohms or Hi-Z, selectable
Return loss -30 dB @ 5 MHz
DC offset (max. allowable) 4.0 V, AC coupled

VIDEO OUTPUT

Number / Signal type 6 S-video
Connectors 6 female 4-pin mini DIN
Nominal level 1 Vp-p for Y of S-video
 0.3 Vp-p for C of S-video
Minimum / Maximum levels 0.4 V to 2.0 Vp-p
Impedance 75 ohms
Return loss -30 dB @ 5 MHz

SYNC

Standards NTSC 3.58, NTSC 4.43, PAL, SECAM

AUDIO (DA 6SVA EQ AND DA 6SVA EQ RCA)

Gain Unity when internal jumpers are set to match output wiring.
 See table below for other conditions.

Output Wiring	Internal Jumpers	
	Balanced	Unbalanced
Balanced	0 dB	+6 dB
Unbalanced	-6 dB	0 dB

Frequency response 20 Hz to 20 kHz, ±0.05 dB (with voltage reference @ 1 kHz)
THD + Noise 0.03% @ 1 kHz at nominal level
S/N (at any output) >90 dB, unbalanced, at maximum output (unweighted)
Stereo channel separation >80 dB @ 1 kHz, >60 dB @ 20 kHz
CMRR >75 dB @ 20 Hz to 20 kHz

Output cable driving distance Up to 1000 feet with STP 22 cable

AUDIO INPUT (DA 6SVA EQ AND DA 6SVA EQ RCA)

Number / Signal type
 DA 6SVA RCA EQ 1 stereo, unbalanced
 DA 6SVA EQ 1 stereo, balanced/unbalanced
Connectors
 DA 6SVA RCA EQ 1 pair female RCA
 DA 6SVA EQ (1) 3.5 mm captive screw connector, 5 pole
Impedance
 DA 6SVA RCA EQ >18k ohms, unbalanced, DC coupled
 DA 6SVA EQ >18k ohms unbalanced, >24k ohms balanced, DC coupled
Nominal level Compatible with +4 dBu (1.23 Vrms), 0 dBu (0.775 Vrms),
 -10 dBV (316 mVrms), -20 dBV (100 mVrms)
Maximum level
 DA 6SVA RCA EQ +18 dBu, (unbalanced) at 1%THD+N
 DA 6SVA EQ +24 dBu, (balanced) at 1%THD+N

NOTE: 0 dBu = 0.775 Vrms, 0 dBV = 1 Vrms, 0 dBV = 2 dBu

AUDIO OUTPUT (DA 6SVA EQ AND DA 6SVA EQ RCA)

Number / Signal type
 DA 6SVA RCA EQ 6 stereo, unbalanced
 DA 6SVA EQ 6 stereo, balanced/unbalanced
Connectors
 DA 6SVA RCA EQ 6 pairs of female RCA jacks
 DA 6SVA EQ (6) 3.5 mm captive screw connectors, 5 pole
Impedance
 DA 6SVA RCA EQ 50 ohms unbalanced
 DA 6SVA EQ 50 ohms unbalanced, 100 ohms balanced
Maximum level (Hi-Z)
 DA 6SVA RCA EQ >+18 dBu, unbalanced at 1%THD+N
 DA 6SVA EQ >+24 dBu, balanced at 1%THD+N
Maximum level (600 ohm)
 DA 6SVA EQ >+15 dBm, balanced at 1%THD+N

GENERAL

Power 100 VAC to 240 VAC, 50/60 Hz, 8 watts, internal, universal
Temperature / Humidity Storage: -40 to +158 °F (-40 to +70 °C) / 10% to 90%, noncondensing
 Operating: +32 to +122 °F (0 to +50 °C) / 10% to 90%, noncondensing
Rack mount Yes, with optional 1U rack shelf, part #60-190-01 or 60-604-01; or
 #60-190-10 or 60-604-10; Also furniture mountable with an optional
 Under-Desk Mounting Kit, #70-077-01, or Through-Desk Mounting Kit,
 #70-077-02
Enclosure type Metal
Enclosure dimensions 1.7" H x 8.7" W x 6.0" D (1U high, half rack wide)
 4.3 cm H x 22.1 cm W x 15.2 cm D (Depth excludes connectors.)
Product weight 2 lbs (0.9 kg)
Shipping weight 4 lbs (2 kg)
Vibration ISTA 1A in carton (International Safe Transit Association)
Listings UL, CUL
Compliances CE, FCC Class A, VCCI, AS/NZS, ICES
MTBF 30,000 hours
Warranty 3 years parts and labor

NOTE: All nominal levels are at ±10%. Specifications are subject to change without notice.

Free Manuals Download Website

<http://myh66.com>

<http://usermanuals.us>

<http://www.somanuals.com>

<http://www.4manuals.cc>

<http://www.manual-lib.com>

<http://www.404manual.com>

<http://www.luxmanual.com>

<http://aubethermostatmanual.com>

Golf course search by state

<http://golfingnear.com>

Email search by domain

<http://emailbydomain.com>

Auto manuals search

<http://auto.somanuals.com>

TV manuals search

<http://tv.somanuals.com>