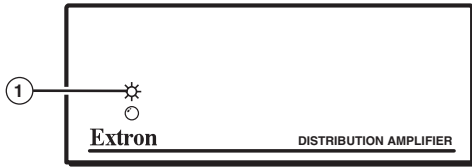


Setup Guide — MDA 5V, 5SV, 5A RCA

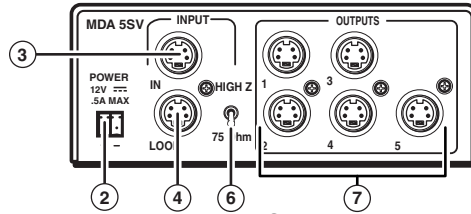
The Extron® MDA 5 series of mini distribution amplifiers distribute buffered composite video (MDA 5V), buffered S-video (MDA 5SV), and amplified stereo audio (MDA 5A RCA). Unless otherwise stated, these instructions apply to all three of the amplifiers.

WARNING These instructions provide a quick setup guide for experienced installers. Installation and service must be performed by authorized personnel only.

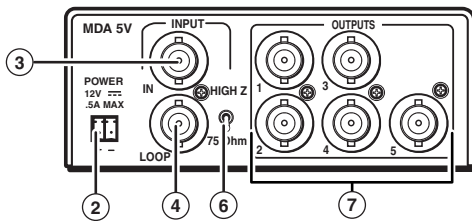
IMPORTANT:
Refer to www.extron.com for the complete user manual and installation instructions before connecting the product to the power source.



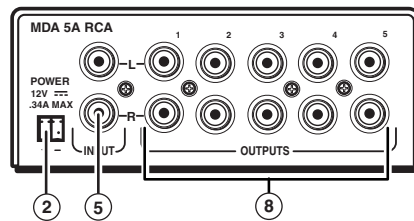
Front Panel All Models



Rear Panel MDA 5SV



Rear Panel MDA 5V



Rear Panel MDA 5A RCA

Indicators and Connectors

- ① Power LED
- ② Power supply input
- ③ Video input
- ④ Video loop to local monitor
- ⑤ Audio input (left channel top; right channel bottom)
- ⑥ High Z/75 Ohm switch
- ⑦ video outputs
- ⑧ audio outputs (left channel top; right channel bottom)

Step 1

Turn all the equipment off and disconnect all cables.

Step 2

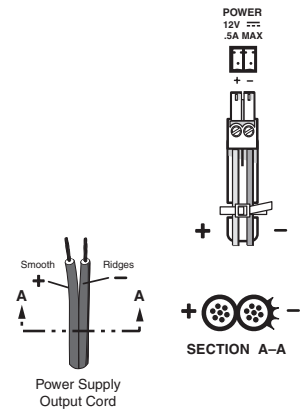
Mount the unit in a convenient location, in a rack, under a desk, or on a projector mounting system. Follow the instructions included with the appropriate mounting kit.

Step 3

Connect the external 12 VDC power supply (provided) to the 2-pole, captive screw power connector (②). When power is applied to the unit, the front panel LED (①) lights green.

CAUTION Voltage polarity is important. Identify the negative lead by the ridges on the side (see figure at right).

CAUTION Always use a power supply specified by Extron for this unit. Use of an unauthorized power supply voids all regulatory compliance certification and may cause damage to the supply and the distribution amplifier.



Step 4

For the MDA 5V:

Connect a video source to the video input (③), using composite video (BNC) connectors.

For the MDA 5SV:

Connect a video source to the video input (③), using S-video (4-pin mini DIN) connectors.

For the MDA 5A RCA:

Connect an audio source to the audio inputs (⑤), using unbalanced stereo to RCA connectors. Left channel input goes to the upper input; right channel input goes to the lower input.

Setup Guide — MDA 5V, 5SV, 5A RCA, cont'd

Step 5 (optional)

For the MDA 5V:

Connect the video loop feed (④) to a local monitor, using composite video connectors.

For the MDA 5SV:

Connect a video loop feed (④) to a local monitor, using S-video connectors.

Step 6

For the MDA 5V and MDA 5SV models:

If a terminated device was connected to the loop feed in step 5, set the High Z/75 Ohm switch (⑥) to High Z (up position, as shown in the figure at right). If no device or an unterminated device was connected to the loop feed in step 5, set the switch to 75 Ohm (down position).

HIGH Z



75 Ohm

Step 7

For the MDA 5V:

Connect up to five display composite video devices to the outputs (⑦), using composite video connectors.

For the MDA 5SV:

Connect up to five display S-video devices to the outputs (⑦), using S-video connectors.

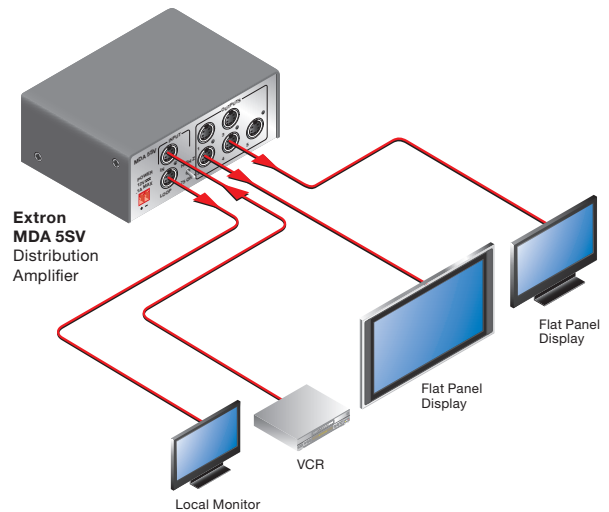
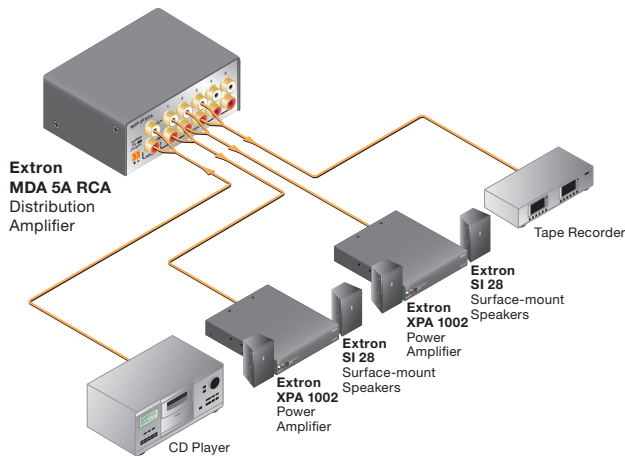
For the MDA 5A RCA:

Connect up to five stereo audio devices to the audio outputs (⑧), using the RCA connectors (left channel top; right channel bottom).

Troubleshooting

If you have problems, please consult the full manual, which is available on-line at www.extron.com.

If the problems persist, contact the [Extron service department](#).



Extron **USA - West**
Headquarters

+800.633.9876
Inside USA / Canada Only
+1.714.491.1500
+1.714.491.1517 FAX

Extron **USA - East**

+800.633.9876
Inside USA / Canada Only
+1.919.863.1794
+1.919.863.1797 FAX

Extron **Europe**

+800.3987.6673
Inside Europe Only
+31.33.453.4040
+31.33.453.4050 FAX

Extron **Asia**

+800.7339.8766
Inside Asia Only
+65.6383.4400
+65.6383.4664 FAX

Extron **Japan**

+81.3.3511.7655
+81.3.3511.7656 FAX

Extron **China**

+400.883.1568
Inside China Only
+86.21.3760.1568
+86.21.3760.1566 FAX

Extron **Middle East**

+971.4.2991800
+971.4.2991880 FAX

© 2010 Extron Electronics. All rights reserved.

68-614-50
Rev. A
01 10

Free Manuals Download Website

<http://myh66.com>

<http://usermanuals.us>

<http://www.somanuals.com>

<http://www.4manuals.cc>

<http://www.manual-lib.com>

<http://www.404manual.com>

<http://www.luxmanual.com>

<http://aubethermostatmanual.com>

Golf course search by state

<http://golfingnear.com>

Email search by domain

<http://emailbydomain.com>

Auto manuals search

<http://auto.somanuals.com>

TV manuals search

<http://tv.somanuals.com>