

MPA 152 MD • Setup Guide

THE MPA 152 MD IS AN ACCESSORY TO A MEDICAL SYSTEM.

The Extron® MPA 152 MD mini power amplifier delivers up to 15 watts (rms) per channel (stereo or dual mono) into a 4 ohm sound system or 8 watts (rms) per channel into an 8 ohm system.

For complete instructions, see the *MPA 152 MD User Guide*, which is available on the Extron website (www.extron.com).

To install and set up an MPA 152 MD, follow these steps:

1. Turn all of the equipment off and disconnect it from power sources.
2. Attach the four rubber feet (provided) and place the MPA 152 MD in a suitable location.
3. Attach the speakers to the MPA 152 MD (see the figure at right).
4. Attach inputs to the MPA 152 MD unit from the audio source, the projector, or both. There are three audio inputs (shown in the figure at right), which can be used individually or together:
 - One pair RCA connectors (unbalanced)
 - One 3.5 mm stereo tip-ring-sleeve connector (unbalanced)
 - One 3.5 mm, 5-pole captive screw (balanced/unbalanced)

NOTE: The MPA 152 MD amplifier mixes all right channel inputs to a single signal and all left channel inputs to a second signal. The user may output these signals as stereo or sum them to produce a dual mono signal.

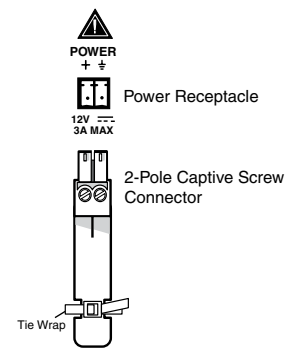
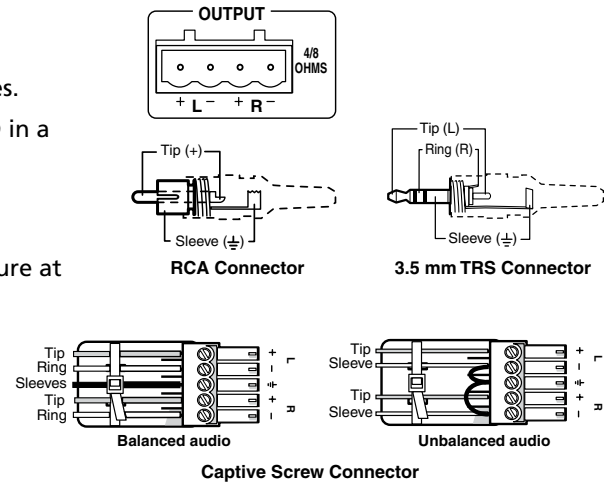
5. Connect power cords to the MPA 152 MD and other audio equipment.
6. Adjust the MPA 152 MD input level, bass, and treble (see the figure below).



- a. If connecting the amplifier to a projector, set the projector volume to its lowest point. Then adjust the MPA 152 MD level potentiometer fully counterclockwise.
 - b. Set the projector volume to its maximum volume level (no sound should come out).
 - c. Return to the MPA 152 MD and raise the level until sound distortion first occurs, then lower slightly until the distortion disappears. This setting ensures that, whatever the projector volume setting may be, no clipping occurs.
 - d. Adjust bass and treble to preference.
7. The 3-pole Remote captive screw connector on the MPA 152 MD is used for remote control of the volume when using a third party remote control option with a projector that lacks variable audio outputs. The volume can also be controlled by IR remote control of the projector volume (see the *MPA 152 MD User Guide*).

CAUTION: All accessory equipment must be UL-listed. For more information, see the "MPA 152 MD Application Notes" section, in the *MPA 152 MD User Guide*.

IMPORTANT:
Refer to www.extron.com for the complete user guide and installation instructions before connecting the product to the power source.



Extron USA - West Headquarters +800.633.9876 Inside USA/Canada Only +1.714.491.1500 +1.714.491.1517 FAX	Extron USA - East +800.633.9876 Inside USA/Canada Only +1.919.863.1794 +1.919.863.1797 FAX	Extron Europe +800.3987.6673 Inside Europe Only +31.33.453.4040 +31.33.453.4050 FAX	Extron Asia +800.7339.8766 Inside Asia Only +65.6383.4400 +65.6383.4664 FAX	Extron Japan +81.3.3511.7655 +81.3.3511.7656 FAX	Extron China +400.833.1568 Inside China Only +86.21.3760.1568 +86.21.3760.1566 FAX	Extron Middle East +971.4.2991800 +971.4.2991880 FAX
---	---	--	--	---	---	---

68-1989-50
Rev A
11 10

Free Manuals Download Website

<http://myh66.com>

<http://usermanuals.us>

<http://www.somanuals.com>

<http://www.4manuals.cc>

<http://www.manual-lib.com>

<http://www.404manual.com>

<http://www.luxmanual.com>

<http://aubethermostatmanual.com>

Golf course search by state

<http://golfingnear.com>

Email search by domain

<http://emailbydomain.com>

Auto manuals search

<http://auto.somanuals.com>

TV manuals search

<http://tv.somanuals.com>