

User's Guide



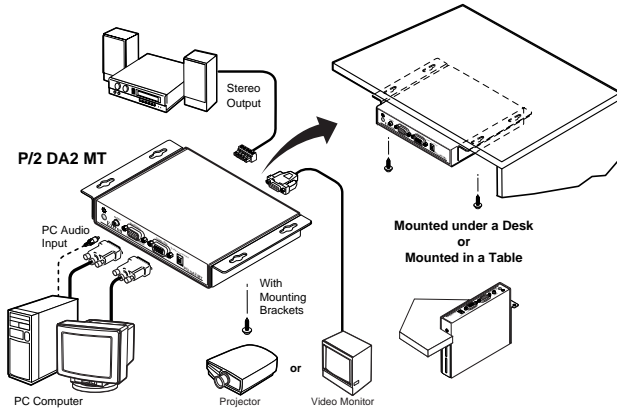
P/2 DA2 MT
Distribution Amplifier

68-435-01 B
Printed in the USA
01 02

Installation and Operation

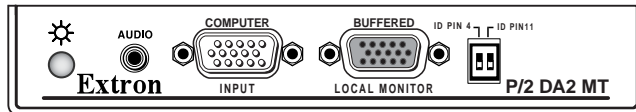
Description

The P/2 DA2 MT Distribution Amplifier can be mounted using the included mounting brackets and screws. Audio input and output connectors and an external DC power supply are also features of the P/2 DA2 MT. See example application diagram below.



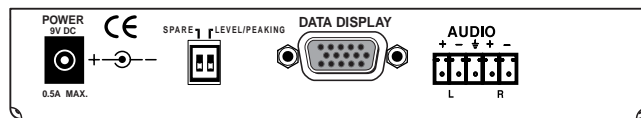
Front Panel

The front panel consists of a 2-color LED indicator (amber indicates power On only, green indicates power On with video signal present), a 3.5 mm female audio input jack, a 15-pin female VGA input, a 15-pin female VGA buffered local monitor output, and 2 DIP switches that set the input termination.



Rear Panel

The rear panel consists of a 9-volt power input jack, a Level/Peaking DIP switch to control video level and peaking (data display device only), a 15-pin VGA output connector, and a 3.5 mm captive screw audio output connector.



Mounting Bracket

The included mounting brackets are attached to the P/2 DA2 MT using the 6 bracket screws, as shown on page 5. The unit may then be mounted under a desk or some other suitable location using the 4 wood screws (see mounting template). Optional brackets are also available for vertical mounting (see mounting template).

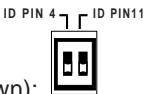
Easy Setup Procedure

These easy-to-follow steps describe the general setup of the P/2 DA2 MT. Refer to the previous application diagram.

1. If the P/2 DA2 MT is to be mounted using the mounting brackets, please refer to the previous section.
2. Power off the computer and its local monitor.
3. Connect the computer's VGA output to the 15-pin female VGA input on the front panel of the P/2 DA2 MT.
4. If a local monitor is being used, connect the monitor to the 15-pin local monitor output on the front panel.
5. Set termination pins (see *Front Panel DIP Switch Settings* below).
6. If audio is being input, connect the audio source to the 3.5 mm audio input jack on the front panel. Refer to the audio connector diagrams on the last page.
7. Connect the output display device, such as a projector, VGA-compatible monitor, etc., to the 15-pin VGA data display connector on the rear panel of the P/2 DA2 MT.
8. Connect an audio device to the 3.5 mm captive screw audio output connector on the rear panel. Refer to the audio connector diagram on the following page.
9. Connect the 9-volt power plug of the included power supply into the power input jack on the rear panel.

Front Panel DIP Switch Settings

Set the two DIP switch pin positions (on/up or off/down):



Pin 4	Pin 11	Function
off	off	computer input pins 4 & 11 passed to local monitor output connector
on	on	provide ID bit termination when no local monitor connected
on	off	provide correct MAC 13" ID bit termination

Rear Panel DIP Switch Settings

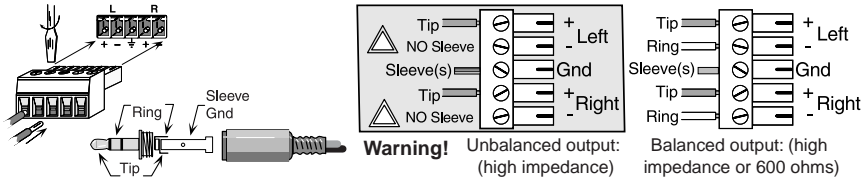
Set the Level/Peaking DIP switch On (up) to increase level and peaking of the data display, otherwise, set the switch Off (down).

Operation

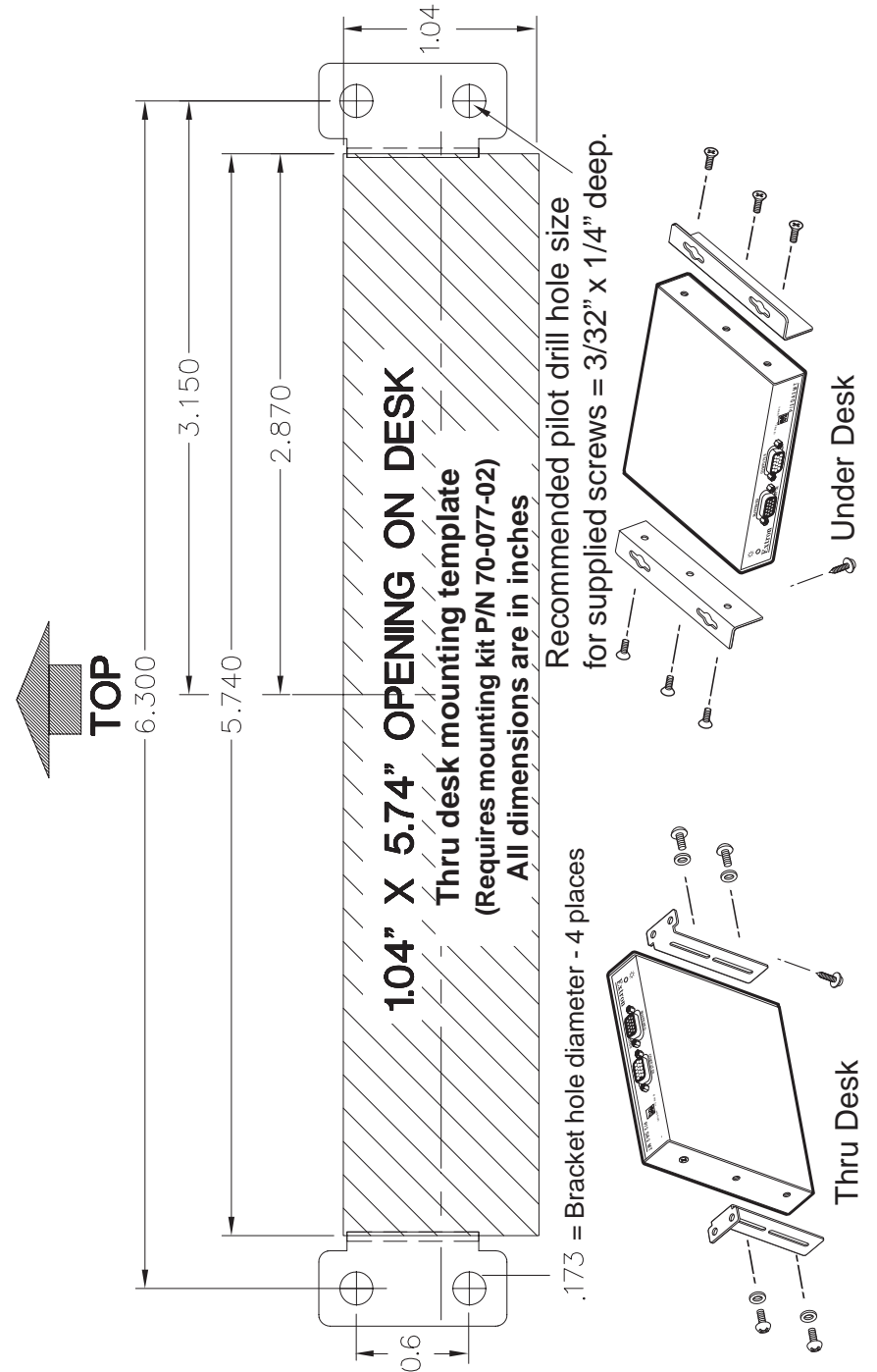
1. Power on the computer and monitor.
2. Power on the output display device.
3. Power on the P/2 DA2 MT. The LED will light amber when the power is on and will light green when the power is on and there is an input present.

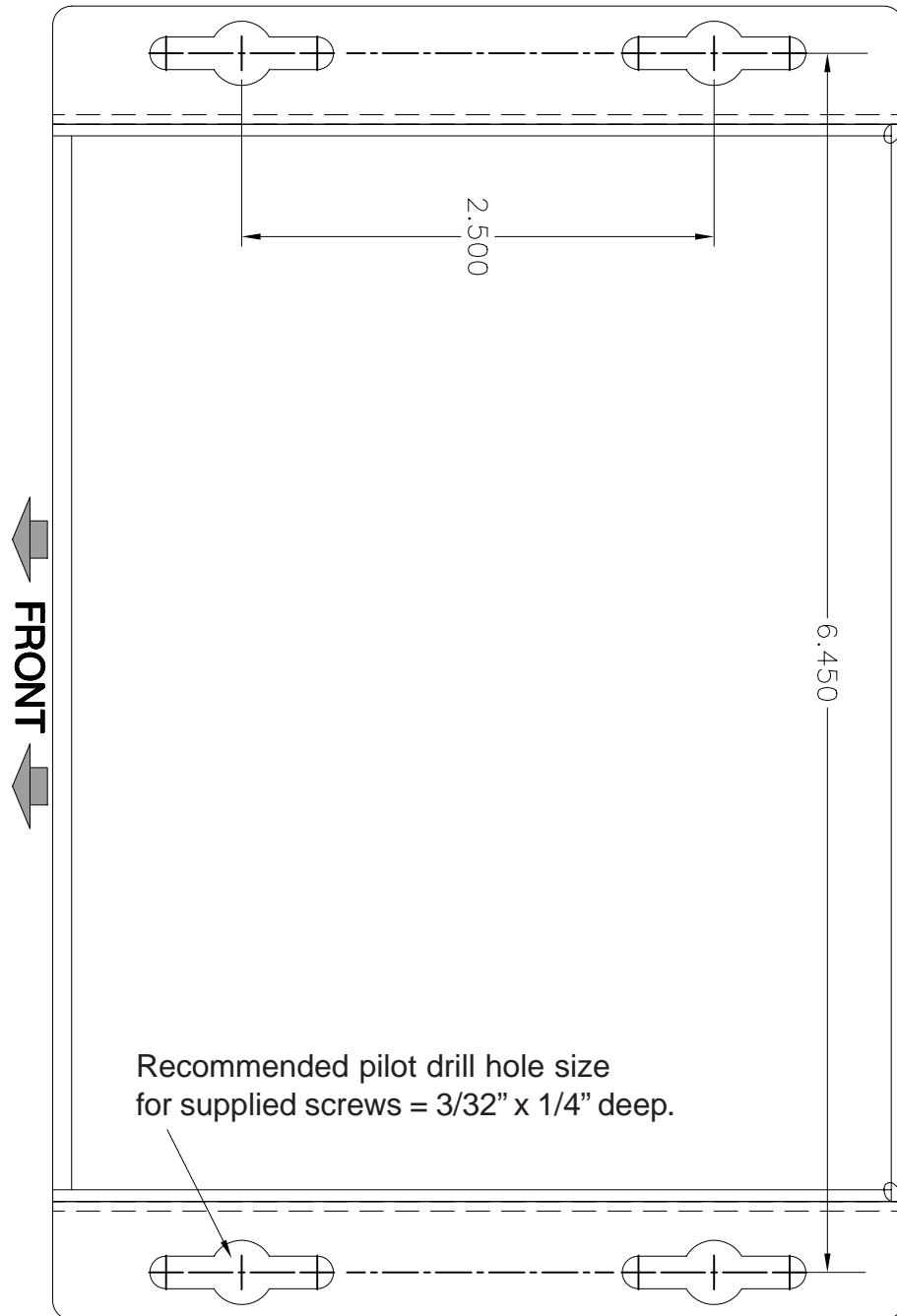
Installation and Operation, cont'd

Audio Connections



⚠ — No sleeve means **NO CONNECTION**. Wiring errors or plugging the audio connectors incorrectly may damage the audio output circuits.





Specifications

Video

Gain	(0.7V) unity, (0.8V) 15%
Bandwidth	300 MHz (-3dB)

Video input

Number/signal type	1 VGA-UXGA RGBHV, RGBS, RGsB, RsGsBs
Connectors	1 15-pin HD female
Minimum/maximum level(s) ...	Analog 0.4V to 1.4V p-p with no offset at unity gain
Impedance	75 ohms
Horizontal frequency	15 kHz to 135 kHz
Vertical frequency	30 Hz to 170 Hz
Return loss	-38.3dB @ 5 MHz
Maximum DC offset	200mV

Video output

Number/signal type	2 VGA-UXGA RGBHV, RGBS, RGsB, RsGsBs (1 for display, 1 for local monitor output)
Connectors	2 15-pin HD female
Minimum/maximum levels	0.4V to 1.4V p-p
Impedance	75 ohms
Return loss	-41dB @ 5 MHz
DC offset	±5 mV maximum with input at 0 offset

Sync

Input type	RGBHV, RGBS, RGsB, RsGsBs
Output type	RGBHV, RGBS, RGsB, RsGsBs
Input level	3V to 5V p-p
Output level	TTL 5V p-p
Input impedance	75 ohms or 510 ohms (selectable)
Output impedance	75 ohms
Max. propagation delay	18.8 nS
Max. rise/fall time	4 nS
Polarity	Positive or negative

Audio

Gain	Unbalanced 0dB, balanced +6dB
Frequency response	20 Hz to 20 kHz, ±0.05dB
THD + Noise	0.03% @ 1 kHz at rated maximum output drive
S/N	>90dB, balanced, at rated maximum output drive (21dB)
Stereo channel separation	>80dB @ 1 kHz

CMRR >75dB @ 20 Hz to 20 kHz

Audio input

Number/signal type 1 stereo, unbalanced
Connectors 1 3.5 mm female stereo jack, 2-channel; tip (L), ring (R), sleeve (GND)
Impedance >5 kohms unbalanced, DC coupled
Maximum level +8.5dBu (unbalanced)

Audio output

Number/signal type 1 stereo, balanced/unbalanced
Connectors 1 3.5 mm captive screw connector, 5 pole
Impedance 50 ohms unbalanced, 100 ohms balanced
Maximum level (Hi-Z) >+14dBu, balanced or unbalanced at stated %THD+N
Maximum level (600 ohm) >+0dBu, balanced or unbalanced at stated %THD+N

NOTE 0dBu = 0.775 volts (RMS).

General

Power 100VAC to 240VAC, 50/60 Hz, 5 watts, external, autoswitchable; to 9VDC, 1A power supply.
Temperature/humidity Storage -40° to +158°F (-40° to +70°C) / 10% to 90%, non-condensing
Operating +32° to +122°F (0° to +50°C) / 10% to 90%, non-condensing
Rack mount No
Enclosure type Metal
Enclosure dimensions 1.0" H x 5.7" W x 4.5" D
2.5 cm H x 14.5 cm W x 11.4 cm D
Product weight 0.6 lbs (0.3 kg)
Shipping weight 3 lbs (1.4 kg)
Vibration ISTA/NSTA 1A in carton (International Safe Transit Association)
Listings UL, CUL
Compliances CE
MTBF 30,000 hours
Warranty 3 years parts and labor

NOTE Specifications are subject to change without notice.



Extron Electronics, USA
1230 South Lewis Street
Anaheim, CA 92805
USA
714.491.1500
Fax 714.491.1517

Extron Electronics, Europe
Beeldschermweg 6C
3821 AH Amersfoort
The Netherlands
+31.33.453.4040
Fax +31.33.453.4050

Extron Electronics, Asia
135 Joo Seng Road, #04-01
PM Industrial Building
Singapore 368363
+65.6383.4400
Fax +65.6383.4664

Extron Electronics, Japan
Daisan DMJ Building 6F
3-9-1 Kudan Minami
Chiyoda-ku, Tokyo 102-0074 Japan
+81.3.3511.7655
Fax +81.3.3511.7656

Free Manuals Download Website

<http://myh66.com>

<http://usermanuals.us>

<http://www.somanuals.com>

<http://www.4manuals.cc>

<http://www.manual-lib.com>

<http://www.404manual.com>

<http://www.luxmanual.com>

<http://aubethermostatmanual.com>

Golf course search by state

<http://golfingnear.com>

Email search by domain

<http://emailbydomain.com>

Auto manuals search

<http://auto.somanuals.com>

TV manuals search

<http://tv.somanuals.com>