

Specifications

picture detail. It may be appropriate to change the switch position after changing the position of the Over/Under switch.

- ⑫ **Signal Lock LED** — When lit, the Signal Lock LED indicates that the input signal is within the range (800 x 600) of the VSC 50; when blinking, it indicates that the signal is out of range; when off, it indicates that no signal is present.

Specifications

Video input

Number/signal type	1 VGA, 1 Mac analog RGBHV, RGBS, RGsB
Connectors	VGA 15-pin HD female Mac 15-pin D female
Nominal level(s)	Analog 0.7V p-p
Minimum/maximum level(s)	Analog 0V to 2V p-p with no offset
Impedance	High Z or 75 ohms (DIP switch-selectable)
Horizontal frequency	Autoscan 24 kHz to 48 kHz
Vertical frequency	Autoscan 50 Hz to 120 Hz
Resolution range	Autoscan 560 x 384 to 832 x 624

Video processing

Encoder	10 bit digital
Digital sampling	24 bit, 8 bits per color; 40 MHz
Colors	16.8 million
Vertical filtering	2 levels

Video output

Number/signal type	1 S-video NTSC, 15.75 kHz, 525 lines, or PAL, 15.5 kHz, 625 lines
.....	1 composite video NTSC, 15.75 kHz, 525 lines, or PAL, 15.5 kHz, 625 lines
Connectors	S-video 1 4-pin mini-DIN female Composite video 1 BNC female
Nominal level	1.0V p-p
Impedance	75 ohms

Sync

Input type	Autodetect RGBHV, RGBS, RGsB
Standards	NTSC 3.58 and PAL
Input level	1.5V to 5.0V p-p
Input impedance	75 ohms

Specifications, cont'd

General

Power	100VAC to 240VAC, 50/60 Hz, 15 watts, internal, auto-switchable
Temperature/humidity	Storage -40° to +158°F (-40° to +70°C) / 10% to 90%, non-condensing Operating +32° to +122°F (0° to +50°C) / 10% to 90%, non-condensing
Rack mount	No
Enclosure type	Metal
Enclosure dimensions	2.25" H x 9.00" W x 6.25" D 5.72 cm H x 22.86 cm W x 15.88 cm D (Add 0.5" for front panel knobs and 0.75" for rear panel connectors.)
Shipping weight	6 lbs (2.7 kg)
Vibration	NSTA 1A in carton (National Safe Transit Association)
Approvals	UL, CUL, CE, FCC Class A
MTBF	30,000 hours
Warranty	2 years parts and labor

NOTE Specifications are subject to change without notice.

Included and Optional Cables and Adapters

• HV/VGA male-to-male adapter	Included	26-462-01
• SVHS 6' S-video cable (6 feet/1.8 meters)	Included	26-316-02
• SHR 1-6' Super High Resolution cable	Optional	26-383-12
• RCA-6' male-to-male cable	Optional	26-345-01
• BNC male to RCA female adapter	Optional	10-264-01

FCC Class A Notice

Note: This equipment has been tested and found to comply with the limits for a Class A digital device, pursuant to part 15 of the FCC Rules. These limits are designed to provide reasonable protection against harmful interference when the equipment is operated in a commercial environment. This equipment generates, uses and can radiate radio frequency energy and, if not installed and used in accordance with the instruction manual, may cause harmful interference to radio communications. Operation of this equipment in a residential area is likely to cause harmful interference, in which case the user will be required to correct the interference at his own expense.

Note: This unit was tested with shielded cables on the peripheral devices. Shielded cables must be used with the unit to ensure compliance.



Extron Electronics, USA
1230 South Lewis Street, Anaheim, CA 92805
800.633.9876 714.491.1500 FAX 714.491.1517
USA

Extron Electronics, Europe
Beeldschermweg 3C, 3821 AH Amersfoort
+31.33.453.4040 FAX +31.33.453.4050
The Netherlands

Extron Electronics, Asia
135 Joo Seng Rd. #04-01, PM Industrial Bldg.
+65.383.4400 FAX +65.383.4664
Singapore 368363

Extron Electronics Information
ExtronWEB™: www.extron.com
ExtronFAX™: 714.491.0192
24-hour access—worldwide!

© 2000 Extron Electronics. All rights reserved.

Extron® Electronics
INTERFACING, SWITCHING AND DISTRIBUTION



User's Guide



VSC 50
Computer-to-video Scan Converter

68-421-01 C
Printed in the USA
10 00

Setup

The Extron VSC 50 converts computer scan rates of up to 800 x 600 to NTSC/PAL and S-video outputs. The scan converter connects between the computer and the desired output devices (monitor, VCR, or any compatible video device).

Setting up the VSC 50

To install and set up the VSC 50, follow these steps:

- 1 Turn off all of the equipment. Ensure that the computer video source and the output devices are all turned off and disconnected from the power source.
- 2 Attach the cables. See "Rear panel cabling" below.
- 3 Set the rear panel DIP switches. See "Rear panel switch settings" on page 2.
- 4 Connect power cords and turn on the displays and the computer, in that order.
- 5 Make picture adjustments with the controls on the front panel. See "Front Panel Controls and Indicators" on page 3.

Rear panel cabling

All connectors are on the rear panel. Figure 1 and figure 2 show the cable connections on the rear panel of the VSC 50.

Input connections

- 1 **PC or Macintosh connection** — Use the 6-foot VGA/Mac adapter cable (part #26-462-01) provided for connecting the VSC 50 to either a PC type or a Macintosh computer. The connector size and gender prevent making improper connections.

PC connections — Plug the VGA end of the Mac/VGA adapter cable into the computer's video card output connector and plug the Mac end into the Mac connector on the VSC 50 rear panel (figure 1). Plug the monitor's video cable into the VGA connector on the rear panel of the VSC 50.

Mac connections — Plug the Mac end of the Mac/VGA adapter cable into the computer's video output connector and plug the VGA end into the VGA connector on the VSC 50 (figure 2). Plug the monitor's video cable into the Mac connector on the rear panel of the VSC 50.

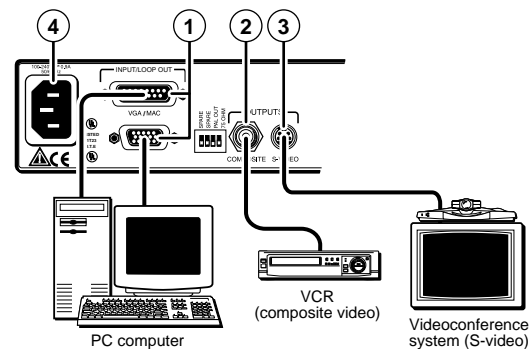


Figure 1 — Connecting a PC type computer

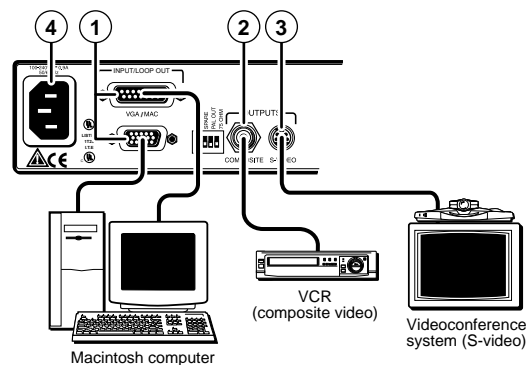


Figure 2 — Connecting a Macintosh computer

Output connections

- 2 **Composite (NTSC/PAL)** — This BNC connector provides either NTSC or PAL composite video, depending upon the position of the rear panel PAL Out DIP switch. This output is always available.
- 3 **S-video** — This 4-pin mini-DIN connector outputs S-video. This is the highest quality video output for a VCR or a CODEC.

Power

- 4 **AC power connector** — Plug a standard IEC power cord into this connector to connect the VSC 50 to a 100 to 240VAC, 50 Hz or 60 Hz power source.

Turn on the computer monitor and the computer, in that order.

Rear panel switch settings

Set the rear panel DIP switches as needed to support your application:

Controls and Indicators



PAL Out switch — Set this switch down for NTSC (525 line video) or up for PAL (625 line video) output.

75 Ohm DIP switch — Set this switch down (Hi Z) if using a local monitor, or up (75 ohm) if not using a monitor.

Front Panel Controls & Indicators

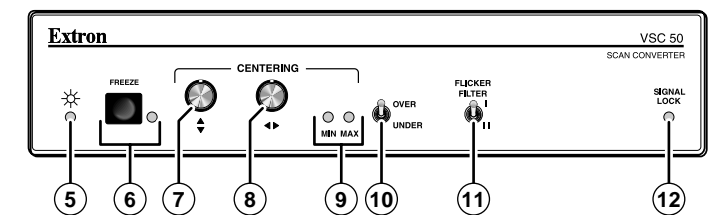


Figure 3 — Front panel controls and indicators

- 5 **Power LED** — The Power LED lights to indicate power is on. If AC voltage is available, power is on.
 - 6 **Freeze button and LED** — Pushing the Freeze button toggles between freeze frame or motion mode. Freeze provides a still image capture of a scan-converted computer screen. The Freeze LED indicates that the VSC 50 is in freeze frame mode. While this LED is lit, the video output is a single frame of video. Press the freeze button again to return to motion mode.
 - 7 **Centering (vertical)** — This knob adjusts the vertical position (vertical shift), by shifting the image up and down on the screen.
 - 8 **Centering (horizontal)** — This knob adjusts the horizontal position (horizontal shift), shifting the image left and right on the screen.
- NOTE** Nonvolatile memory saves the centering adjustments for the current scan rate.
- 9 **Min and Max LEDs** — The Min or Max LED lights to indicate the vertical or horizontal centering adjustment has reached the minimum or maximum limit of its range.
 - 10 **Over/Under switch** — The Over/Under switch provides two ways to view the displayed image: the Over position provides an overscan that is 10% larger than the standard size and the Under position displays the image at its normal size.
 - 11 **Flicker Filter switch** — The Flicker Filter switch selects from two levels of flicker filtering. Select the position that gives the best

Free Manuals Download Website

<http://myh66.com>

<http://usermanuals.us>

<http://www.somanuals.com>

<http://www.4manuals.cc>

<http://www.manual-lib.com>

<http://www.404manual.com>

<http://www.luxmanual.com>

<http://aubethermostatmanual.com>

Golf course search by state

<http://golfingnear.com>

Email search by domain

<http://emailbydomain.com>

Auto manuals search

<http://auto.somanuals.com>

TV manuals search

<http://tv.somanuals.com>