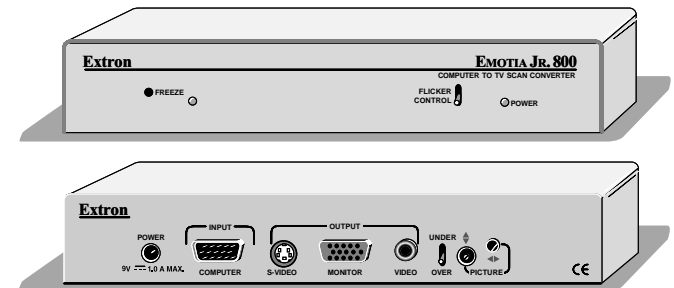


Specifications

Compatibility .....	VGA and VESA signals up to 800 x 600 resolutions (from 31-48 kHz)
Input .....	VGA male
Outputs .....	Video (RCA), S-VHS (4-pin mini-din) and VGA female
Connectors .....	RCA, 4-pin mini-din, 15-pin HD male (input), 15-pin HD female (local monitor output)
Power supply	
NTSC version .....	115 VAC, 60 Hz to 9 VDC/1A-wall mount
PAL version .....	230 VAC, 50 Hz to 9 VDC/1A-wall mount
Approvals .....	CE, UL, CUL pending
Dimensions .....	1.6" H x 8" W x 5.9" D 4.06 H x 23 W x 14.9 D cm
Weight .....	4 lbs. (1.8 kg)
Warranty .....	Two years, parts & labor

**User's Guide**





**EMOTIA Jr. 800 Scan Converter**  
(P/N 60-226-01 NTSC, 60-226-02 PAL)



Extron's **EMOTIA Jr. 800™** converts VGA sources (31.5 - 48 kHz) with resolutions up to 800 x 600 into NTSC or PAL and S-Video compatible outputs. The **EMOTIA Jr. 800** requires no software. Simply connect it from the PC to the desired display (LCD Projector, CRT Projector, consumer TV, VCR or compatible video display).

**Installation**

1. Turn the PC and its monitor **Off**.
2. Connect the input cable's (26-112-15) male end to the PC and the female end to Emotia Jr. 800's 15-pin HD, VGA Input connector.
3. Use the PC monitor's cable to connect to Emotia Jr. 800's VGA Output.
4. Connect the desired output cable (S-VHS or RCA) to the input connector of the display device.
5. Turn PC and PC monitor power **On**.
6. Plug the power supply into a service outlet and plug its cable to Emotia Jr. 800's connector marked "Power 9v, 1A".
7. Use Emotia Jr. 800's  and  controls to center the image on the screen.
8. Set the front panel "Underscan/Overscan" switch to select the desired image size.

Parts included with the Emotia Jr. 800 are:

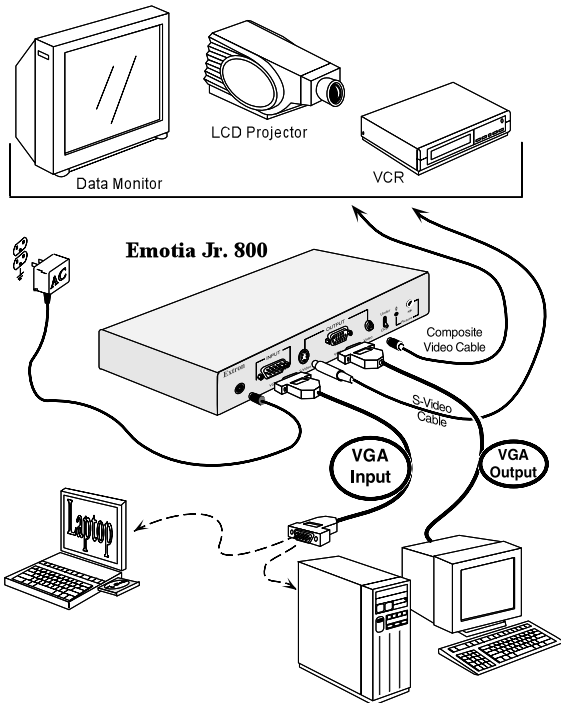
VGA (male-female) 6' Input cable –26-112-15 (PC to Emotia Jr. 800)

Composite (RCA), 6' Output cable –26-345-01 (Emotia Jr. 800 to Composite Video device)

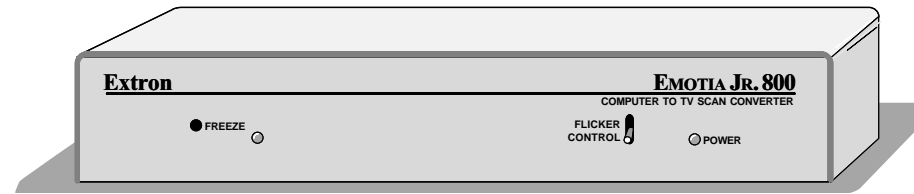
S-Video (S-VHS) , 6' Output cable –26-316-02 (Emotia Jr. 800 to S-Video device)

External Power Supply, 9 VDC –28-023-01 (Emotia Jr. 800 to AC power source)

Tweaker (small screwdriver)



**Front Panel Features**

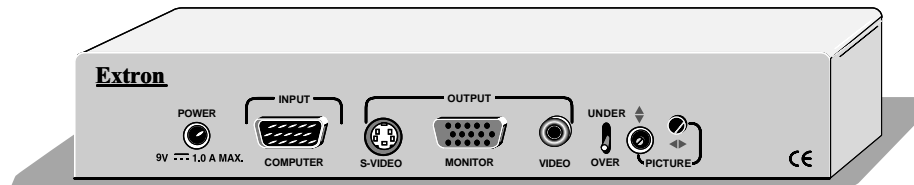


**Freeze** - Press this button to capture a still image of a scan-converted computer screen. The LED indicates when Freeze mode is active.



**Flicker Control Switch** – 3 positions:  
Up = Normal Mode  
Mid-position = Flicker Reduction Mode  
Down = Non-Interlaced Mode

**Rear Panel Features**



**S-Video** - Use this output for devices that use S-Video or S-VHS. This is the highest quality recordable video out of the EMOTIA Jr. 800.


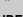


**Video = NTSC or PAL** (depending on version) - An RCA connector provides either NTSC or PAL composite video.



**Underscan/Overscan** - This switch either underscans or overscans the displayed image on the screen. (Use this switch in the underscan position when displaying text.)



**Picture** – These two controls are:  
Vertical Center () (shifts the image up or down on the screen).  
Horizontal Center () (shifts the image left or right on the screen).

## Free Manuals Download Website

<http://myh66.com>

<http://usermanuals.us>

<http://www.somanuals.com>

<http://www.4manuals.cc>

<http://www.manual-lib.com>

<http://www.404manual.com>

<http://www.luxmanual.com>

<http://aubethermostatmanual.com>

Golf course search by state

<http://golfingnear.com>

Email search by domain

<http://emailbydomain.com>

Auto manuals search

<http://auto.somanuals.com>

TV manuals search

<http://tv.somanuals.com>