

# Low Profile VESA Mount Kit User Guide

## Overview

The Extron® Low Profile VESA® Mount Kit (LPVM-1) allows monitors or Extron touch panels to be wall mounted to a two-gang UL-certified junction box, a two-gang mud ring, or directly onto any solid surface, such as brick, wood, masonry, or drywall. The kit supports both the B-type (20 x 50 mm) and D-type (75 x 75 mm) VESA mounting patterns. The monitor attaches to the wall at a fixed angle with no tilting.

**CAUTION:** The maximum loads for the LPVM-1 are:  
**VESA B** — 4.4 pounds (2 kg)  
**VESA D** — 30.8 pounds (14 kg) **if the LPVM-1 is mounted directly to the wall, not a mud ring.**

The kit consists of two separate steel plates, held together by two locking screws. Plate 1, which attaches to the wall, has a protruding tongue at the top. The tongue fits into a groove at the top of plate 2, which attaches to the back of the display device (see the figure at right).

## Optional Tools and Equipment

To mount the LPVM-1, you may need some or all of the following items that are not provided by Extron:

- Mud ring or UL-certified junction box
- Tools for cutting a hole in drywall
- Conduit or surface raceway
- Power drill with a bit that is appropriate for the wall type
- Screwdriver
- Four screws or bolts, to attach the LPVM-1 to the wall (these must be appropriate for the type of wall).

## Installation Instructions

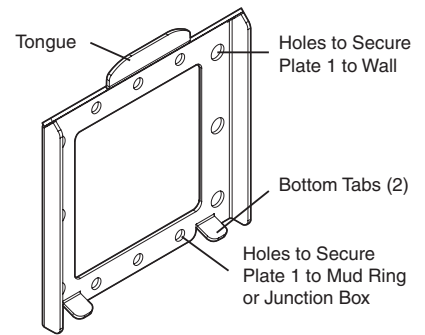
To VESA mount a touch panel or monitor using the LPVM-1, follow these instructions:

### Disassembling the LPVM-1

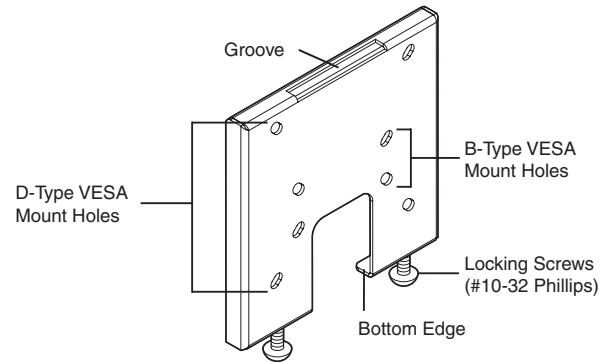
1. Use a Phillips screwdriver to loosen the two locking screws until the two plates of the LPVM-1 can separate.
2. Swing the bottom tabs of plate 1 away from the bottom edge of plate 2.
3. Pull plate 1 down to remove the tongue from the groove in plate 2.
4. Select a suitable mounting site and decide whether the LPVM-1 will be mounted directly to the wall (see below), or to a mud ring or UL-certified junction box (see the next page).

### Mounting the LPVM-1 Directly to a Wall:

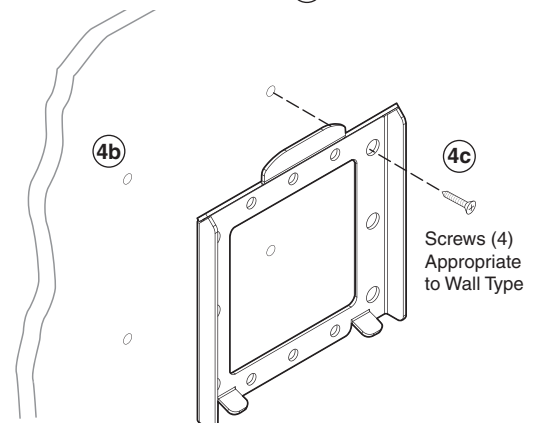
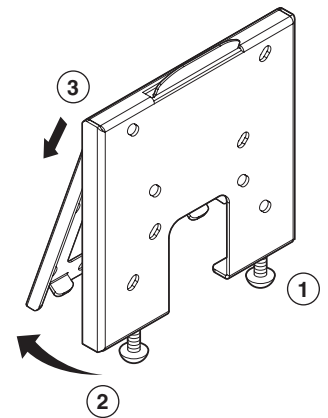
- a. If the LPVM-1 is being mounted directly to drywall, you may cut a hole in the drywall that is 2.5 x 2.5 inches (6.35 x 6.35 cm) to run cables inside the wall cavity. If the LPVM-1 is attached to a solid wall or you do not want to run cables through the drywall cavity, the cables should be enclosed in conduit or raceway.
- b. Use plate 1 to mark the position of the four holes in the wall and drill four holes, using a drill bit that is appropriate for the wall type. Plate 1 accommodates screws up to 1/4 inch in diameter.
- c. Secure plate 1 to the wall with four screws or bolts that are appropriate for the wall type. Ensure the tongue is facing up.



Extron LPVM-1 Plate 1



Extron LPVM-1 Plate 2

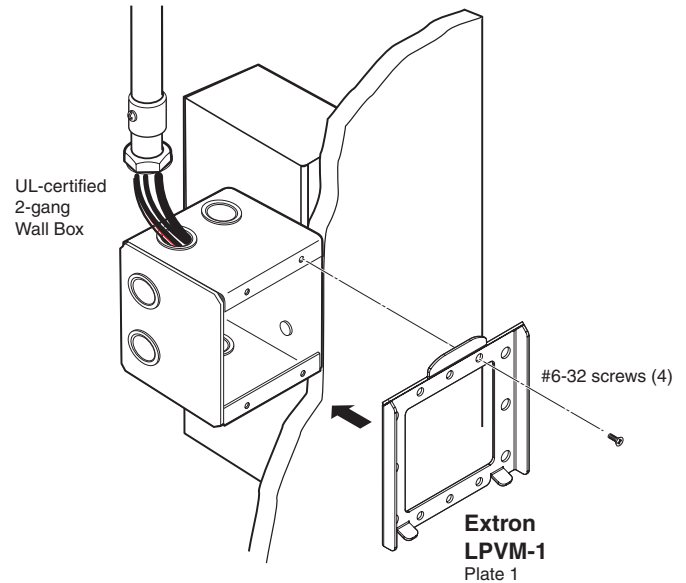


# Low Profile VESA Mount Kit User Guide (Continued)

## Mounting the LPVM-1 to a Mud Ring or UL-Certified Junction Box in Drywall:

**NOTE:** See the caution on previous page about weight restrictions.

- a. Follow the instructions provided by the manufacturer to cut the hole and install the mud ring or junction box.
- b. Attach plate 1 to the mud ring or junction box, using the four #6-32 screws provided. Ensure the tongue is facing upwards.
- c. Connect conduit to the junction box and run the cables to the installation site.



## Mounting the Display Device

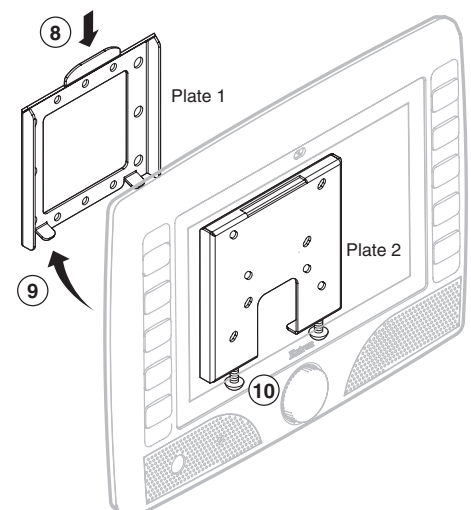
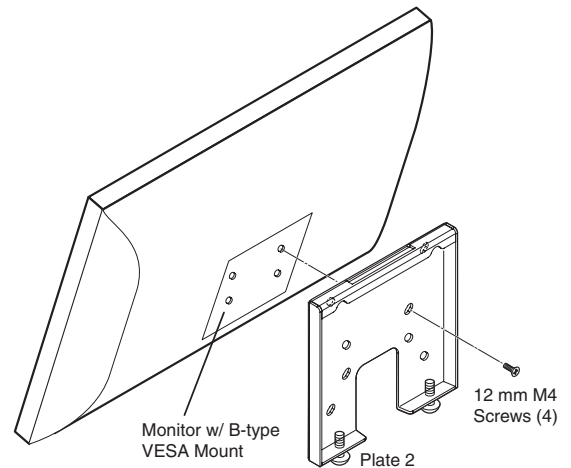
5. If necessary, remove all cables from the display device.

**NOTE:** To VESA mount the TLP 700TV, it is necessary to remove the base and the plastic enclosure from the back. For full instructions, see the *TLP 700MV and TLP 700TV User Guide*, which is available from [www.extron.com](http://www.extron.com).

Do not use the VM 700T for mounting with the LPVM-1.

Use the four 12 mm M4 screws (provided) to attach plate 2 to the back of the display device, using either the B-type (20 x 50 mm) or D-type (75 x 75 mm) VESA mounting pattern. The plate should be attached securely but do not over-tighten the screws.

6. Attach the cables to the back of the display device. Feed any excess cable back into the wall, conduit, or raceway. Follow all information in the user manual provided with the display device to ensure the cables and power are connected correctly.
7. Check the display device is working correctly (see the user manual for the display device).
8. Hook plate 2 to plate 1 by holding the display at a slight angle so that the groove of plate 2 is over the tongue in plate 1. Lower the display device so that the tongue enters the groove as far as possible.
9. Allow the bottom of the display to move inwards so that the display is parallel to the wall and the bottom tabs of plate 1 are seated over the bottom edge of plate 2.
10. Lock the two plates together by tightening the two locking screws with a screwdriver (do not over-tighten).



Extron USA - West Headquarters	Extron USA - East	Extron Europe	Extron Asia	Extron Japan	Extron China	Extron Middle East
+800.633.9876 Inside USA/Canada Only	+800.633.9876 Inside USA/Canada Only	+800.3987.6673 Inside Europe Only	+800.7339.8766 Inside Asia Only	+81.3.3511.7655 +81.3.3511.7656 FAX	+400.833.1568 Inside China Only	+971.4.2991800 +971.4.2991880 FAX
+1.714.491.1500 +1.714.491.1517 FAX	+1.919.863.1794 +1.919.863.1797 FAX	+31.33.453.4040 +31.33.453.4050 FAX	+65.6383.4400 +65.6383.4664 FAX		+86.21.3760.1568 +86.21.3760.1566 FAX	

68-1946-01  
Rev A  
06 10

## Free Manuals Download Website

<http://myh66.com>

<http://usermanuals.us>

<http://www.somanuals.com>

<http://www.4manuals.cc>

<http://www.manual-lib.com>

<http://www.404manual.com>

<http://www.luxmanual.com>

<http://aubethermostatmanual.com>

Golf course search by state

<http://golfingnear.com>

Email search by domain

<http://emailbydomain.com>

Auto manuals search

<http://auto.somanuals.com>

TV manuals search

<http://tv.somanuals.com>