

RM 700M Mounting Kit Installation Guide

Overview

The Extron® RM 700M allows the TLP 700MV TouchLink™ panel to be mounted in a standard rack. The RM 700M uses 5 U of vertical space in a standard 19 inch equipment rack.

This guide provides basic instructions for an experienced installer to mount and connect the TLP 700MV.

IMPORTANT:
Refer to www.extron.com for the complete TLP 700MV user manual and installation instructions before connecting the product to the power source.

Using the RM 700M mounting kit

To mount the TLP 700MV in any standard 19" equipment rack, follow these instructions:

1. Disconnect all cables from the TLP 700MV.
2. Run cables for video, network and power to the rack.
3. Secure the RM 700M to the rack, using the screws provided by the rack's manufacturer.

4. Remove the faceplate from the TLP 700MV and ensure that all the locking arms are laying flush with the unit.

5. Push the TLP 700MV through the hole in the mounting kit and tighten the six screws for the locking arm. As the screws tighten, the locking arms rotate and clamp against the back of the mounting kit, holding the TLP 700MV in place.

6. Connect the cables to the rear panel connectors.

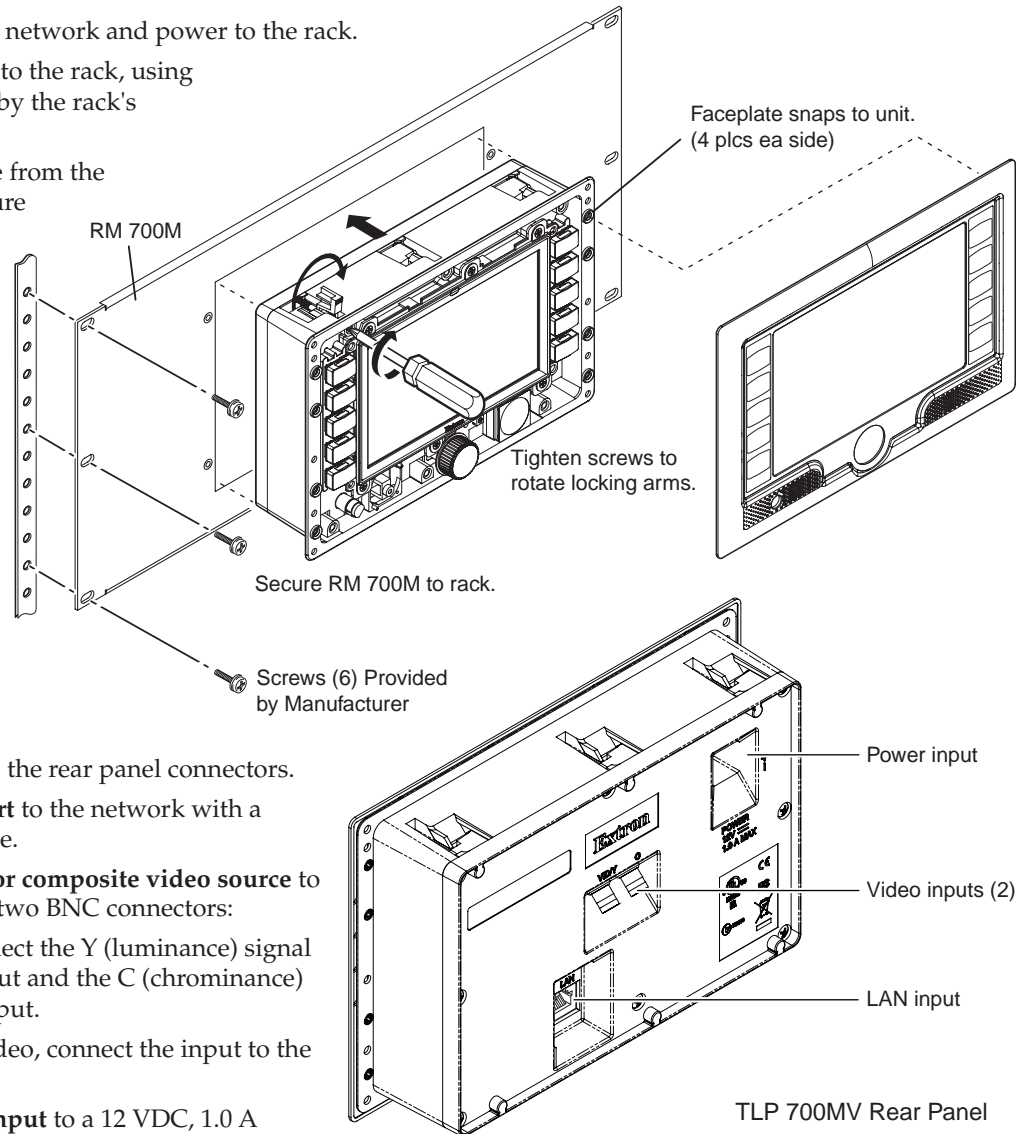
Connect the **LAN port** to the network with a straight-through cable.

Connect an **S-video or composite video source** to the unit, using these two BNC connectors:

- For S-video, connect the Y (luminance) signal to the VID/Y input and the C (chrominance) signal to the C input.
- For composite video, connect the input to the VID/Y input.

Connect the **power input** to a 12 VDC, 1.0 A power supply, using the 2-pole captive screw connector.

7. If you do not plan to calibrate the TLP 700MV immediately (see the TLP 700MV user's manual), replace the faceplate by pressing the catches on the faceplate into the corresponding holes on the sides of the panel.



<p>Extron USA - West Headquarters +800.633.9876 Inside USA / Canada Only +1.714.491.1500 +1.714.491.1517 FAX</p>	<p>Extron USA - East +800.633.9876 Inside USA / Canada Only +1.919.863.1794 +1.919.863.1797 FAX</p>	<p>Extron Europe +800.3987.6673 Inside Europe Only +31.33.453.4040 +31.33.453.4050 FAX</p>	<p>Extron Asia +800.7339.8766 Inside Asia Only +65.6383.4400 +65.6383.4664 FAX</p>	<p>Extron Japan +81.3.3511.7655 +81.3.3511.7656 FAX</p>	<p>Extron China +400.883.1568 Inside China Only +86.21.3760.1568 +86.21.3760.1566 FAX</p>	<p>Extron Middle East +971.4.2991800 +971.4.2991880 FAX</p>
--	---	--	--	--	---	--

UL Guidelines for Rack Mounting

The following Underwriters Laboratories (UL) guidelines are relevant to the safe installation of these products in a rack:

1. **Elevated operating ambient temperature** — If the unit is installed in a closed or multi-unit rack assembly, the operating ambient temperature of the rack environment may be greater than room ambient temperature. Therefore, install the equipment in an environment compatible with the maximum ambient temperature (T_{ma}: +113 °F, +45 °C) specified by Extron.
2. **Reduced air flow** — Install the equipment in the rack so that the equipment gets adequate air flow for safe operation.
3. **Mechanical loading** — Mount the equipment in the rack so that uneven mechanical loading does not create a hazardous condition.
4. **Circuit overloading** — Connect the equipment to the supply circuit and consider the effect that circuit overloading might have on overcurrent protection and supply wiring. Give appropriate consideration to the equipment nameplate ratings when addressing this concern.
5. **Reliable earthing (grounding)** — Maintain reliable grounding of rack-mounted equipment. Pay particular attention to supply connections other than direct connections to the branch circuit (such as the use of power strips).

Free Manuals Download Website

<http://myh66.com>

<http://usermanuals.us>

<http://www.somanuals.com>

<http://www.4manuals.cc>

<http://www.manual-lib.com>

<http://www.404manual.com>

<http://www.luxmanual.com>

<http://aubethermostatmanual.com>

Golf course search by state

<http://golfingnear.com>

Email search by domain

<http://emailbydomain.com>

Auto manuals search

<http://auto.somanuals.com>

TV manuals search

<http://tv.somanuals.com>