

User's Manual



EDID 101D & EDID 101V

EDID Emulator with EDID Minder™

Precautions

Safety Instructions • English



This symbol is intended to alert the user of important operating and maintenance (servicing) instructions in the literature provided with the equipment.



This symbol is intended to alert the user of the presence of uninsulated dangerous voltage within the product's enclosure that may present a risk of electric shock.

Caution

Read Instructions • Read and understand all safety and operating instructions before using the equipment.

Retain Instructions • The safety instructions should be kept for future reference.

Follow Warnings • Follow all warnings and instructions marked on the equipment or in the user information.

Avoid Attachments • Do not use tools or attachments that are not recommended by the equipment manufacturer because they may be hazardous.

Consignes de Sécurité • Français



Ce symbole sert à avertir l'utilisateur que la documentation fournie avec le matériel contient des instructions importantes concernant l'exploitation et la maintenance (réparation).



Ce symbole sert à avertir l'utilisateur de la présence dans le boîtier de l'appareil de tensions dangereuses non isolées posant des risques d'électrocution.

Attention

Lire les instructions • Prendre connaissance de toutes les consignes de sécurité et d'exploitation avant d'utiliser le matériel.

Conservier les instructions • Ranger les consignes de sécurité afin de pouvoir les consulter à l'avenir.

Respecter les avertissements • Observer tous les avertissements et consignes marqués sur le matériel ou présents dans la documentation utilisateur.

Éviter les pièces de fixation • Ne pas utiliser de pièces de fixation ni d'outils non recommandés par le fabricant du matériel car cela risquerait de poser certains dangers.

Sicherheitsanleitungen • Deutsch



Dieses Symbol soll dem Benutzer in der im Lieferumfang enthaltenen Dokumentation besonders wichtige Hinweise zur Bedienung und Wartung (Instandhaltung) geben.



Dieses Symbol soll den Benutzer darauf aufmerksam machen, daß im Inneren des Gehäuses dieses Produktes gefährliche Spannungen, die nicht isoliert sind und die einen elektrischen Schock verursachen können, herrschen.

Achtung

Lesen der Anleitungen • Bevor Sie das Gerät zum ersten Mal verwenden, sollten Sie alle Sicherheits- und Bedienungsanleitungen genau durchlesen und verstehen.

Aufbewahren der Anleitungen • Die Hinweise zur elektrischen Sicherheit des Produktes sollten Sie aufbewahren, damit Sie im Bedarfsfall darauf zurückgreifen können.

Befolgen der Warnhinweise • Befolgen Sie alle Warnhinweise und Anleitungen auf dem Gerät oder in der Benutzerdokumentation.

Keine Zusatzgeräte • Verwenden Sie keine Werkzeuge oder Zusatzgeräte, die nicht ausdrücklich vom Hersteller empfohlen wurden, da diese eine Gefahrenquelle darstellen können.

Instrucciones de seguridad • Español



Este símbolo se utiliza para advertir al usuario sobre instrucciones importantes de operación y mantenimiento (o cambio de partes) que se desean destacar en el contenido de la documentación suministrada con los equipos.



Este símbolo se utiliza para advertir al usuario sobre la presencia de elementos con voltaje peligroso sin protección aislante, que puedan encontrarse dentro de la caja o alojamiento del producto, y que puedan representar riesgo de electrocución.

Precaución

Leer las instrucciones • Leer y analizar todas las instrucciones de operación y seguridad, antes de usar el equipo.

Conservar las instrucciones • Conservar las instrucciones de seguridad para futura consulta.

Obedecer las advertencias • Todas las advertencias e instrucciones marcadas en el equipo o en la documentación del usuario, deben ser obedecidas.

Evitar el uso de accesorios • No usar herramientas o accesorios que no sean específicamente recomendados por el fabricante, ya que podrían implicar riesgos.

Warning

Power sources • This equipment should be operated only from the power source indicated on the product. This equipment is intended to be used with a main power system with a grounded (neutral) conductor. The third (grounding) pin is a safety feature, do not attempt to bypass or disable it.

Power disconnection • To remove power from the equipment safely, remove all power cords from the rear of the equipment, or the desktop power module (if detachable), or from the power source receptacle (wall plug).

Power cord protection • Power cords should be routed so that they are not likely to be stepped on or pinched by items placed upon or against them.

Servicing • Refer all servicing to qualified service personnel. There are no user-serviceable parts inside. To prevent the risk of shock, do not attempt to service this equipment yourself because opening or removing covers may expose you to dangerous voltage or other hazards.

Slots and openings • If the equipment has slots or holes in the enclosure, these are provided to prevent overheating of sensitive components inside. These openings must never be blocked by other objects.

Lithium battery • There is a danger of explosion if battery is incorrectly replaced. Replace it only with the same or equivalent type recommended by the manufacturer. Dispose of used batteries according to the manufacturer's instructions.

Avvertimento

Alimentazione • Non fare funzionare ce matériel qu'avec la source d'alimentation indiquée sur l'appareil. Ce matériel doit être utilisé avec une alimentation principale comportant un fil de terre (neutre). Le troisième contact (de mise à la terre) constitue un dispositif de sécurité: n'essayez pas de la contourner ni de la désactiver.

Déconnexion de l'alimentation • Pour mettre le matériel hors tension sans danger, déconnectez tous les cordons d'alimentation de l'arrière de l'appareil ou du module d'alimentation de bureau (s'il est amovible) ou encore de la prise secteur.

Protection du cordon d'alimentation • Achémener les cordons d'alimentation de manière à ce que personne ne risque de marcher dessus et à ce qu'ils ne soient pas écrasés ou pincés par des objets.

Réparation-maintenance • Faire exécuter toutes les interventions de réparation-maintenance par un technicien qualifié. Aucun des éléments internes ne peut être réparé par l'utilisateur. Afin d'éviter tout danger d'électrocution, l'utilisateur ne doit pas essayer de procéder lui-même à ces opérations car l'ouverture ou le retrait des couvercles risquent de l'exposer à de hautes tensions et autres dangers.

Fentes et orifices • Si le boîtier de l'appareil comporte des fentes ou des orifices, ceux-ci servent à empêcher les composants internes sensibles de surchauffer. Ces ouvertures ne doivent jamais être bloquées par des objets.

Lithium Batterie • Il a danger d'explosion s'il y a un remplacement incorrect de la batterie. Remplacer uniquement avec une batterie du même type ou d'un équivalent recommandé par le constructeur. Mettre au rebut les batteries usagées conformément aux instructions du fabricant.

Vorsicht

Stromquellen • Dieses Gerät sollte nur über die auf dem Produkt angegebene Stromquelle betrieben werden. Dieses Gerät wurde für eine Verwendung mit einer Hauptstromleitung mit einem geerdeten (neutralen) Leiter konzipiert. Der dritte Kontakt ist für einen Erdschluß, und stellt eine Sicherheitsfunktion dar. Diese sollte nicht umgangen oder außer Betrieb gesetzt werden.

Stromunterbrechung • Um das Gerät auf sichere Weise vom Netz zu trennen, sollten Sie alle Netzkabel aus der Rückseite des Gerätes, aus der externen Stromversorgung (falls dies möglich ist) oder aus der Wandsteckdose ziehen.

Schutz des Netzkabels • Netzkabel sollten stets so verlegt werden, daß sie nicht im Weg liegen und niemand darauf treten kann oder unmittelbar dagegen gestellt werden können.

Wartung • Alle Wartungsmaßnahmen sollten nur von qualifiziertem Servicepersonal durchgeführt werden. Die internen Komponenten des Gerätes sind wartungsfrei. Zur Vermeidung eines elektrischen Schocks versuchen Sie in keinem Fall, dieses Gerät selbst öffnen, da beim Entfernen der Abdeckungen die Gefahr eines elektrischen Schlags und/oder anderer Gefahren bestehen.

Schlitze und Öffnungen • Wenn das Gerät Schlitze oder Löcher im Gehäuse aufweist, dienen diese zur Vermeidung einer Überhitzung der empfindlichen Teile im Inneren. Diese Öffnungen dürfen niemals von anderen Objekten blockiert werden.

Lithium-Batterie • Explosionsgefahr, falls die Batterie nicht richtig ersetzt wird. Ersetzen Sie verbrauchte Batterien nur durch den gleichen oder einen vergleichbaren Batterietyp, der auch vom Hersteller empfohlen wird. Entsorgen Sie verbrauchte Batterien bitte gemäß den Herstelleranweisungen.

Advertencia

Alimentación eléctrica • Este equipo debe conectarse únicamente a la fuente/tipo de alimentación eléctrica indicada en el mismo. La alimentación eléctrica de este equipo debe provenir de un sistema de distribución general con conductor neutro a tierra. La tercera pata (puesta a tierra) es una medida de seguridad, no puentearla ni eliminarla.

Desconexión de alimentación eléctrica • Para desconectar con seguridad la conectada de alimentación eléctrica al equipo, desenchufar todos los cables de alimentación en el panel trasero del equipo, o desenchufar el módulo de alimentación (si fuera independiente), o desenchufar el cable del receptáculo de la pared.

Protección del cables de alimentación • Los cables de alimentación eléctrica se deben instalar en lugares donde no sean pisados ni apretados por objetos que se puedan apoyar sobre ellos.

Reparaciones/mantenimiento • Solicitar siempre los servicios técnicos de personal calificado. En el interior no hay partes a las que el usuario debe acceder. Para evitar riesgo de electrocución, no intentar personalmente la reparación/mantenimiento de este equipo, ya que al abrir o extraer las tapas puede quedar expuesto a voltajes peligrosos u otros riesgos.

Ranuras y aberturas • Si el equipo posee ranuras o orificios en su caja/alojamiento, es para evitar el sobrecalentamiento de componentes internos sensibles. Estas aberturas nunca se deben obstruir con otros objetos.

Batería de litio • Existe riesgo de explosión si esta batería se coloca en la posición incorrecta. Cambiar esta batería únicamente con el mismo tipo (o su equivalente) recomendado por el fabricante. Desachar las baterías usadas siguiendo las instrucciones del fabricante.

安全须知 • 中文



这个符号提示用户该设备用户手册中有重要的操作和维护说明。



这个符号警告用户该设备机壳内有暴露的危险电压，有触电危险。

注意

阅读说明书 • 用户使用该设备前必须阅读并理解所有安全和使用说明。

保存说明书 • 用户应保存安全说明书以备将来使用。

遵守警告 • 用户应遵守产品和用户指南上的所有安全和操作说明。

避免追加 • 不要使用该产品厂商没有推荐的工具或追加设备，以避免危险。

警告

电源 • 该设备只能使用产品上标明的电源。设备必须使用有地线的供电系统供电。第三条线（地线）是安全设施，不能不用或跳过。

拔掉电源 • 为安全地从设备拔掉电源，请拔掉所有设备后或桌面电源的电源线，或任何接到市电系统的电源线。

电源线保护 • 妥善布线，避免被踩踏，或重物挤压。

维护 • 所有维修必须由认证的维修人员进行。设备内部没有用户可以更换的零件。为避免出现触电危险不要自己试图打开设备盖子维修该设备。

通风孔 • 有些设备机壳上有通风槽或孔，它们是用来防止机内敏感元件过热。不要用任何东西挡住通风孔。

锂电池 • 不正确的更换电池会有爆炸的危险。必须使用与厂家推荐的相同或相近型号的电池。按照生产厂的建议处理废弃电池。

声明

所使用电源为 A 级产品，在生活环境中，该产品可能会造成无线电干扰。在这种情况下，可能需要用户对干扰采取切实可行的措施。

FCC Class A Notice

This equipment has been tested and found to comply with the limits for a Class A digital device, pursuant to part 15 of the FCC Rules. Operation is subject to the following two conditions: (1) this device may not cause harmful interference, and (2) this device must accept any interference received, including interference that may cause undesired operation. The Class A limits are designed to provide reasonable protection against harmful interference when the equipment is operated in a commercial environment. This equipment generates, uses, and can radiate radio frequency energy and, if not installed and used in accordance with the instruction manual, may cause harmful interference to radio communications. Operation of this equipment in a residential area is likely to cause harmful interference, in which case the user will be required to correct the interference at his own expense.

NOTE

This unit was tested with shielded cables on the peripheral devices. Shielded cables must be used with the unit to ensure compliance with FCC emissions limits.

VCCI Class A notice for ITE products

この装置は、クラスA 情報技術装置です。この装置を家庭環境で使用すると電波妨害を引き起こすことがあります。この場合には使用者が適切な対策を講ずるよう要求されることがあります。VCCI-A

English translation: "This is a Class A product. In a domestic environment this product may cause radio interference, in which case the user may be required to take corrective actions."

NOTE *Equipment labeled VCCI-A satisfies the limits of interference for Class A.*

Table of Contents

About this Manual	1
About the EDID 101	1
EDID 101 Features	2
Mounting the EDID 101	5
Tabletop placement	5
Rack mounting	5
UL guidelines for rack mounting.....	5
Rack mounting procedures	6
Furniture mounting	7
Panel Features	8
Side panel	8
Front and rear panels	9
EDID 101D/EDID 101V Operation	10
Recording a display EDID	10
Using the pre-programmed Extron EDID	11
Specifications	12
Included Parts	14
Accessories	14

All trademarks mentioned in this manual are the properties of their respective owners.

68-1773-01 Rev. A
06 09

About this Manual

This manual contains information about the Extron EDID 101D/EDID 101V, with instructions on how to mount and operate the unit. Throughout this manual EDID 101 is used to refer to the EDID 101D and EDID 101V. Where differences may occur, they are noted.

About the EDID 101

The EDID 101D and EDID 101V are compact, economical EDID Minder™ devices that record and manage display EDID (Extended Display Identification Data). A source device normally uses EDID to identify the signal type (i.e. analog or digital), the native rate of the display, how to correctly output the preferred native timing, additional rates supported by the display, and various other information.

The Extron EDID 101 is a standalone EDID Minder device that emulates EDID to a DVI or VGA source. It helps ensure the video source boots up correctly and constantly outputs video.

The EDID 101 records the EDID from a display and supplies it to the video source. In addition, there are pre-programmed EDIDs matched with two refresh rates (50 and 60 Hz) and two signal types (digital and analog).

Introduction

EDID 101 Features

EDID Minder — Enables continuous EDID communication to the input source. EDID provides information about a display identity. The EDID Minder continuous EDID communication helps ensure the source boots up properly and reliably outputs content to the display.

EDID Record — Enables the device to record EDID directly from a display.

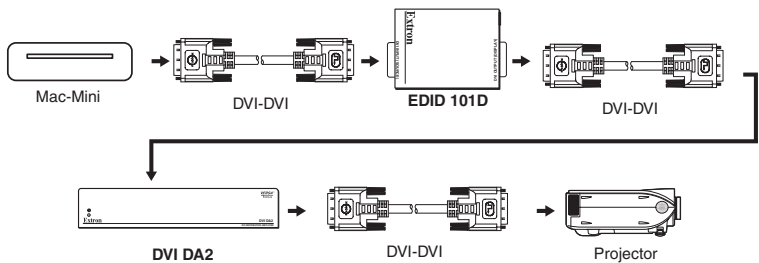
Pre-programmed EDID — The EDID 101 contains pre-programmed EDIDs with the most common display native resolutions for both 50 and 60 Hz. Along with the native rate, each pre-programmed EDID also lists other common video rates for use by the video source.

NOTE *Configuring the EDID 101 rotary and DIP switches allow a user to select a pre-programmed EDID based on the native rate of a display (i.e. 1280x1024 @ 60 Hz) and a desired signal type (i.e. digital), but does not necessarily force a video source to output that rate. Since EDID is not limited to reporting a single video rate (i.e. the native rate), each Extron EDID also lists other common video rates for use by the video source.*

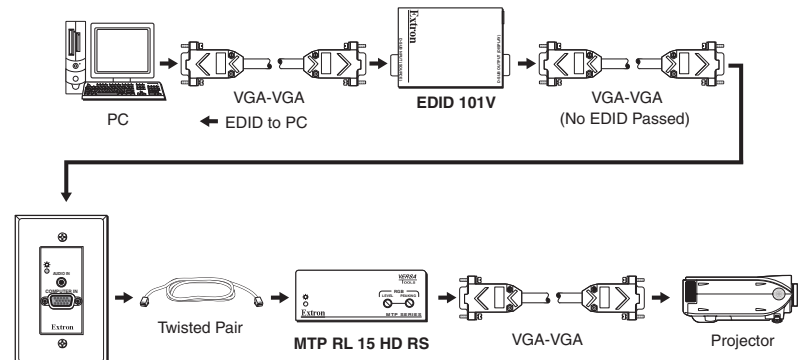
Powered from the video source — The EDID 101 is powered from a VGA or DVI video source for normal operation. An optional external 12 VDC power supply for remote learning capability is also available.

Power LED — The side panel LED illuminates green when power is connected and flashes red during EDID recording.

Compact size — Small form factor enables use in places where space is a premium.



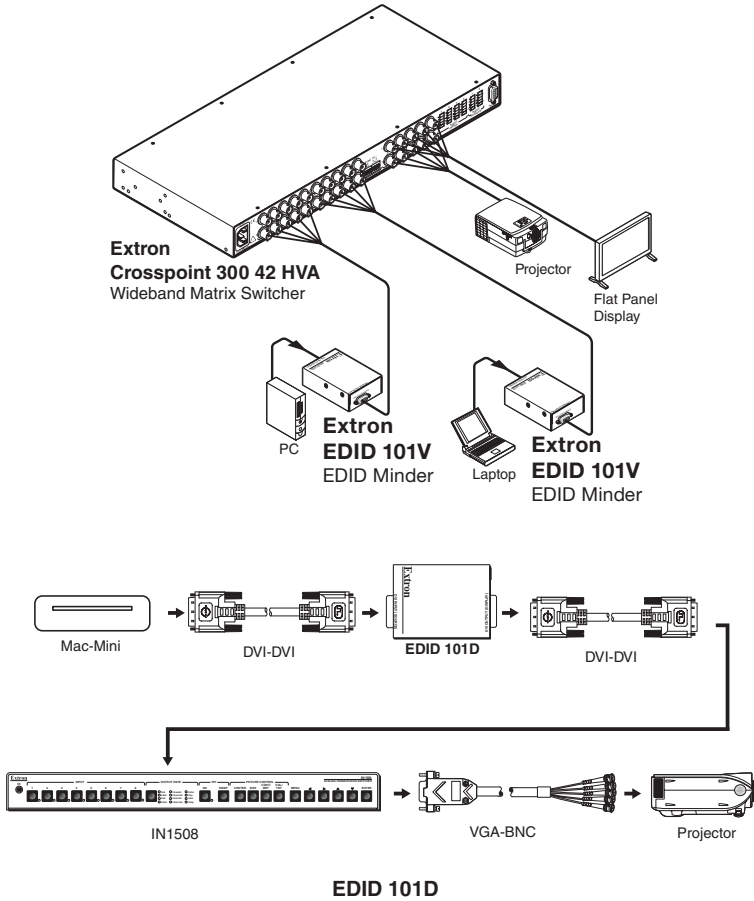
EDID 101D



EDID 101V

Typical EDID 101 applications

Introduction, cont'd



Typical EDID 101 applications

Mounting the EDID 101

The EDID 101 is housed in a 1/8 rack width, 3" deep, 1" high metal enclosure. The small form factor is ideal for connecting the EDID 101 between two devices that would otherwise be directly connected.

NOTE

After the EDID 101 is mounted, the side panel may be inconvenient or impossible to access for configuration. To avoid uninstalling, program it prior to mounting. See page 10, "EDID 101D/EDID 101V Operation" for programming details.

Tabletop placement

Attach the four included rubber feet to the bottom of the unit and place it in any convenient location.

Rack mounting

UL guidelines for rack mounting

The following Underwriters Laboratories (UL) guidelines are relevant to the safe installation of the EDID 101 in a rack:

1. **Elevated operating ambient temperature** — If the unit is installed in a closed or multi-unit rack assembly, the operating ambient temperature of the rack environment may be greater than room ambient temperature. Therefore, install the equipment in an environment compatible with the maximum ambient temperature (T_{ma}: +122 °F, +50 °C) specified by Extron.
2. **Reduced air flow** — Install the equipment in the rack so the equipment gets adequate air flow for safe operation.
3. **Mechanical loading** — Mount the equipment in the rack so that uneven mechanical loading does not create a hazardous condition.
4. **Circuit overloading** — Connect the equipment to the supply circuit and consider the effect that circuit overloading might have on overcurrent protection and supply wiring. Give appropriate consideration to the equipment nameplate ratings.
5. **Reliable earthing (grounding)** — Maintain reliable grounding of rack-mounted equipment. Pay particular attention to supply connections other than direct connections to the branch circuit (such as power strips).

Installation and Operation, cont'd

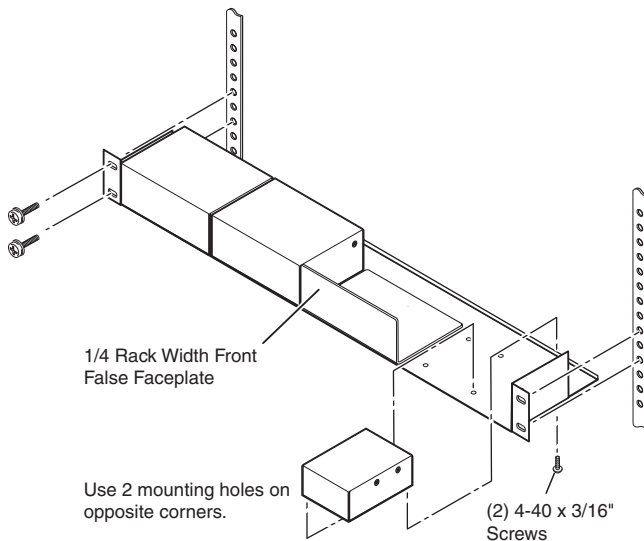
Rack mounting procedures

The unit can be mounted in the front or rear of any of these rack systems:

- RSF 123 rack shelf kit for 3.5" deep products (part #60-190-20)
- RSB 123 basic rack shelf kit for 3.5" deep products (part #60-604-20)
- RSU 126 universal rack shelf kit for 6" deep products (part #60-190-10)
- RSB 126 basic rack shelf kit for 6" deep products (part #60-604-10)
- RSU 129 universal rack shelf kit for 9.5" deep products (part #60-190-01)
- RSB 129 basic rack shelf kit for 9.5" deep products (part #60-604-01)

To rack mount the EDID 101D/EDID 101V:

1. If necessary, remove the rubber feet.
2. Secure the EDID 101 to the shelf with two 4-40 x 3/16" screws in opposite corners of the base (see below).
3. Install false faceplate(s) or other unit(s) to the rack shelf.
4. Attach the shelf to the rack with the four provided 10-32 x 3/4" bolts.

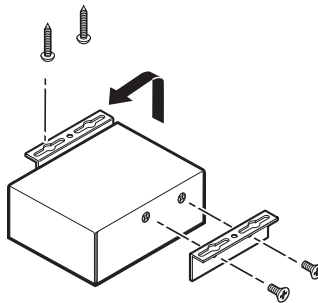


Rack mounting the EDID 101

Furniture mounting

The EDID 101 can be mounted under furniture using optional mounting kit MBU 125 (part #70-077-01) as follows:

1. Attach the mounting brackets to the EDID 101 with the provided machine screws as shown in the figure below.
2. Hold the EDID 101 with the attached brackets against the underside of the table or other furniture. Mark the location of the screw holes in the brackets on the mounting surface.
3. Drill $3/32$ " (2.4 mm) diameter pilot holes, $1/4$ " (6.3 mm) deep in the mounting surface at the marked screw locations.
4. Insert #8 wood screws into the four pilot holes. Tighten each screw into the mounting surface until just less than $1/4$ " of the screw head protrudes.
5. Align the mounting screws with the slots in the brackets and place the EDID 101 and brackets against the surface, with the screws through the bracket slots.
6. Slide the EDID 101 slightly forward or back, then tighten all four screws to secure the unit in place.



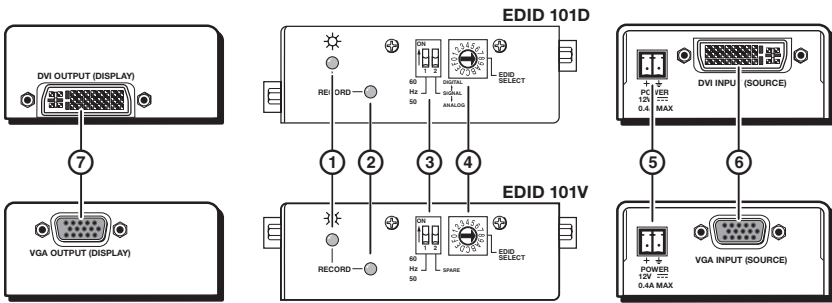
Mounting the EDID 101 under a desk

NOTE

When mounting the EDID 101 under a desk using an MBU 125, the EDID configuration switches located on the side of the product will no longer be accessible. Ensure the EDID 101 is configured prior to mounting. See page 10, "EDID 101D/EDID 101V Operation" for programming details.

Installation and Operation, cont'd

Panel Features



EDID 101 Panel views

Side panel

- ① **Power LED** — Dual-color multi-purpose LED:
 - Green** — Indicates power is connected from the 5 VDC pin of a DVI/VGA video source or by the optional 12 VDC power supply (Ⓢ).
 - Flashing red** — During the recording process, indicates a new EDID being written to memory, returning to solid green when the write completes.
- ② **Record button** — This recessed button is used to initiate recording of a connected display device EDID to user-programmable memory (position 0 on the rotary switch).
- ③ **DIP switch** — Position 1 is used to select the vertical refresh frequency for the pre-programmed EDID. When switched to "Off", the EDID selected by rotary positions 1 through F are based on 50 Hz. When switched to "On", they are based on 60 Hz (default position).
Position 2, (not used on EDID 101V; labeled "Spare"), selects the signal format, digital or analog, for the pre-programmed EDID.
- ④ **EDID Rotary Switch** — Position 0 of this 16 position rotary switch is used to record an EDID from a display. Positions 1-F select pre-programmed EDID resolutions.

NOTE

Configuring the EDID 101 rotary and DIP switches allow a user to select a pre-programmed EDID based on the native rate of a display (i.e. 1280x1024 @ 60 Hz) and a desired signal type (i.e. digital), but does not necessarily force a video source to output that rate. Since EDID is not limited to reporting a single video rate (i.e. the native rate), each Extron EDID also lists other common video rates for use by the video source.

Front and rear panels

- ⑤ **Power connector** — An optional external 12 VDC power supply may be connected to this 2-pole, 3.5 mm captive screw connector.

NOTE

During normal operation the EDID 101 is powered using +5 VDC from pin 9 of a DDC compliant VGA source (EDID 101V) or pin 14 of a DVI source (EDID 101D).

If the source is capable of providing power for the EDID 101, the green Power LED (Ⓢ) will light when the source is connected and powered on.

When the EDID 101 is powered from a video source, there is no need to connect an external power supply.

- ⑥ **Input connector** — EDID 101D – Female DVI-I.
EDID 101V – Female D-Sub 15 pin.

- ⑦ **Output connector** — EDID 101D – Female DVI-I.
EDID 101V – Female D-Sub 15 pin.

NOTE

DVI-A to VGA adapters may be used to connect the EDID 101D to analog displays and sources having VGA connectors. EDID functionality, if the VGA source supports it, will remain available.

NOTE

The EDID 101 is a pass-through device and should be located as close to the input source as possible. The total length of DVI cabling, including input and output cables, connected to the EDID 101D should not exceed maximum recommended lengths for standard DVI applications.

EDID 101D/EDID 101V Operation

The EDID 101 can either record EDID from a display device or a pre-programmed EDID can be selected using the rotary and DIP switches.

Recording a display EDID

To record a new EDID into memory:

1. Turn the rotary switch (⊙) to position 0.

NOTE *The DIP switch positions have no effect in this mode.*

2. Apply power to the EDID 101 by connecting a power source.

NOTE *If power is not available from a video source, an external 12 VDC power supply can be used. The green LED will be lit when power is available.*

3. Connect the display device to the **OUTPUT** of the EDID 101 using a DVI (EDID 101D) or a VGA (EDID 101V) cable.

NOTE *To capture analog EDID on the EDID 101D, a DVI-A to VGA adapter must be used.*

4. Power on the display device.

NOTE *Although the EDID 101 supplies 5 VDC to power the EDID circuitry of a display device, power on the display device to ensure that data is being transmitted during the recording process.*

5. Press and hold the recessed record button (⊙) until the LED flashes red rapidly, then release the button. The LED continues to flash red, then returns to solid green when the EDID data has been stored. The display can now be disconnected.

NOTE *If an external supply was used for recording, it can now be disconnected.*

6. Install the EDID 101 into the system.

Using the pre-programmed Extron EDID

NOTE Configuring the EDID 101 rotary and DIP switches allow a user to select a pre-programmed EDID based on the native rate of a display (i.e. 1280x1024 @ 60 Hz) and a desired signal type (i.e. digital), but does not necessarily force a video source to output that rate. Since EDID is not limited to reporting a single video rate (i.e. the native rate), each Extron EDID also lists other common video rates for use by the video source.

1. Choose a resolution from Table 1 based on the native resolution of the display. Note the corresponding rotary switch position.
2. To use the EDID, set the rotary switch (Ⓞ) to the position (1-F) selected in step 1. The switch clicks as it moves through the positions.



Rotary Switch Position	Resolution
0	User Recorded EDID
1	800x600
2	1024x768
3	1280x720
4	1280x768
5	1280x800
6	1280x1024
7	1360x768
8	1366x768
9	1400x1050
A	1440x900
B	1600x1200
C	1680x1050
D	1920x1080
E	1920x1200
F	Digital: Dual Link DVI Analog: Not Used

Table 1 — Rotary Switch position

NOTE When using a dual link DVI display with the EDID 101D (position F), only two resolutions will be shown to the video source, 1280x800 and 2560x1600.

3. Set the first DIP switch (Ⓞ) based on the vertical refresh of the native rate of the display. (default is ON, 60 Hz).
4. For the EDID 101D only, choose digital or analog based on the input signal format.
5. Install the EDID 101 into the system.



Reference Material

Specifications

NOTE

If you use a DVI-A to 15-pin HD adapter, the EDID 101D can be used for analog signal pass-through.

Video — EDID 101D, digital signals

Maximum data rate.....	10 Gbps (3.3 Gbps per color)
Maximum pixel clock	330 MHz (165 MHz per link)
Resolution range	Up to 2560x1600 @ 60 Hz
Formats	RGB and YCbCr digital video
Standards.....	DVI 1.0, EDID 1.3

Video input — EDID 101D, digital signals

Number/signal type.....	1 dual or single link DVI-D
Connectors	1 female DVI-I

Video output — EDID 101D, digital signals

Number/signal type.....	1 dual or single link DVI-D
Connectors	1 female DVI-I

Video — EDID 101D, analog signals; EDID 101V

Bandwidth.....	350 MHz (-3dB)
Gain	Unity

Video input— EDID 101D, analog signals; EDID 101V

Number/signal type.....	1 analog VGA-UXGA RGBHV, RGBS, RGSB, RsGsBs
Connector	1 female 15-pin HD
Nominal level	0.7 Vp-p for RGB
Minimum/maximum levels.....	Analog: 0.3 V to 1.5 Vp-p with no offset
Impedance.....	75 ohms
Horizontal frequency.....	15 kHz to 145 kHz
Vertical frequency.....	30 Hz to 170 Hz

Video output— EDID 101D, analog signals; EDID 101V

Number/signal type.....	1 analog RGBHV, RGBS, RGSB, RsGsBs (follows input)
Connector	1 female 15-pin HD
Minimum/maximum levels.....	Follows input
Impedance.....	75 ohms

General

Power Supplied by the 5 V signal from a DVI source (pin 14), a VGA* source (pin 9), or from an external power supply

NOTE **Some VGA source devices do not provide power output.*

External power supply 100 VAC to 240 VAC, 50-60 Hz, external; to 12 VDC, 1 A, regulated

Power input requirements 12 VDC, 0.05 A

Temperature/humidity Storage: -40 to +158 °F (-40 to +70 °C) / 10% to 90%, noncondensing
Operating: +32 to +122 °F (0 to +50 °C) / 10% to 90%, noncondensing

Cooling Convection, no vents

Mounting

Rack mount Yes, with optional 1U rack shelf

Enclosure type Metal

Enclosure dimensions 1.0" H x 2.2" W x 3.0" D (one-eighth rack wide)
(2.5 cm H x 5.6 cm W x 7.6 cm D)

Product weight 0.4 lbs (0.2 kg)

Shipping weight 2 lbs (1 kg)

Vibration ISTA 1A in carton (International Safe Transit Association)

Regulatory compliance

Safety CE, c-UL, UL

EMI/EMC CE, C-tick, FCC Class A, ICES, VCCI Class A

Environmental Complies with the appropriate requirements of RoHS, WEEE

MTBF 30,000 hours

Warranty 3 years parts and labor

NOTE *All nominal levels are at ±10%.*

NOTE *Specifications are subject to change without notice.*

Reference Material, cont'd

Included Parts

These items are included in each order for an EDID 101:

Included parts	Replacement part number
EDID 101D -or- EDID 101V	60-990-01 60-991-01
(4) Rubber feet (unattached)	
(2) Strips of Velcro (unattached)	
<i>EDID 101D/EDID 101V Setup Guide</i>	

Accessories

Accessories	Part number
PS 1210C 12 VDC, 1 A power supply	70-775-01
RSU 129, universal rack shelf kit for 9.5" deep products (gray)	60-190-01
RSB 129, basic rack shelf kit for 9.5" deep products, black, gray	60-604-01, -02
RSU 126, universal rack shelf kit for 6" deep products	60-190-10
RSB 126, basic rack shelf kit for 6" deep products	60-604-11
RSF 123, rack shelf kit for 3.5" deep products (with faceplates)	60-190-20
RSB 123, basic rack shelf kit for 3.5" deep products, black, gray	60-604-20, -21
MBB 100, Back of the Rack mounting kit	70-367-01
MBU 125, Under-desk mounting kit	70-077-01

Extron Warranty

Extron Electronics warrants this product against defects in materials and workmanship for a period of three years from the date of purchase. In the event of malfunction during the warranty period attributable directly to faulty workmanship and/or materials, Extron Electronics will, at its option, repair or replace said products or components, to whatever extent it shall deem necessary to restore said product to proper operating condition, provided that it is returned within the warranty period, with proof of purchase and description of malfunction to:

**USA, Canada, South America,
and Central America:**

Extron Electronics
1001 East Ball Road
Anaheim, CA 92805
U.S.A.

Japan:

Extron Electronics, Japan
Kyodo Building, 16 Ichibancho
Chiyoda-ku, Tokyo 102-0082
Japan

Europe, Africa, and the Middle East:

Extron Europe
Hanzeboulevard 10
3825 PH Amersfoort
The Netherlands

China:

Extron China
686 Ronghua Road
Songjiang District
Shanghai 201611
China

Asia:

Extron Asia
135 Joo Seng Road, #04-01
PM Industrial Bldg.
Singapore 368363
Singapore

Middle East:

Extron Middle East
Dubai Airport Free Zone
F12, PO Box 293666
United Arab Emirates, Dubai

This Limited Warranty does not apply if the fault has been caused by misuse, improper handling care, electrical or mechanical abuse, abnormal operating conditions or non-Extron authorized modification to the product.

If it has been determined that the product is defective, please call Extron and ask for an Applications Engineer at (714) 491-1500 (USA), 31.33.453.4040 (Europe), 65.383.4400 (Asia), or 81.3.3511.7655 (Japan) to receive an RA# (Return Authorization number). This will begin the repair process as quickly as possible.

Units must be returned insured, with shipping charges prepaid. If not insured, you assume the risk of loss or damage during shipment. Returned units must include the serial number and a description of the problem, as well as the name of the person to contact in case there are any questions.

Extron Electronics makes no further warranties either expressed or implied with respect to the product and its quality, performance, merchantability, or fitness for any particular use. In no event will Extron Electronics be liable for direct, indirect, or consequential damages resulting from any defect in this product even if Extron Electronics has been advised of such damage.

Please note that laws vary from state to state and country to country, and that some provisions of this warranty may not apply to you.

Extron USA - West
Headquarters

+800.633.9876
Inside USA / Canada Only
+1.714.491.1500
+1.714.491.1517 FAX

Extron USA - East

+800.633.9876
Inside USA / Canada Only
+1.919.863.1794
+1.919.863.1797 FAX

Extron Europe

+800.3987.6673
Inside Europe Only
+31.33.453.4040
+31.33.453.4050 FAX

Extron Asia

+800.7339.8766
Inside Asia Only
+65.6383.4400
+65.6383.4664 FAX

Extron Japan

+81.3.3511.7655
+81.3.3511.7656 FAX

Extron China

+400.883.1568
Inside China Only
+86.21.3760.1568
+86.21.3760.1566 FAX

Extron Middle East

+971.4.2991800
+971.4.2991880 FAX

© 2009 Extron Electronics. All rights reserved.

Free Manuals Download Website

<http://myh66.com>

<http://usermanuals.us>

<http://www.somanuals.com>

<http://www.4manuals.cc>

<http://www.manual-lib.com>

<http://www.404manual.com>

<http://www.luxmanual.com>

<http://aubethermostatmanual.com>

Golf course search by state

<http://golfingnear.com>

Email search by domain

<http://emailbydomain.com>

Auto manuals search

<http://auto.somanuals.com>

TV manuals search

<http://tv.somanuals.com>