

UCM Series Installation Guide

This guide provides an overview of how to install an Extron UCM Series mounting option.

The UCM Series are universal controller mounting options designed to accommodate various Extron controllers (e.g., a MLC 206 or SCP 150) as well as eight single-space architectural adapter plates (AAPs).

In order to mount an Extron controller to a UCM Series panel, a 3.15" tall lectern faceplate and its respective controller must be purchased separately. The lectern faceplate can be purchased as a package with the controller (e.g., a MLC 206-L) or as a stand alone faceplate (e.g., a MLM 206-L). Check with an Extron representative for details.

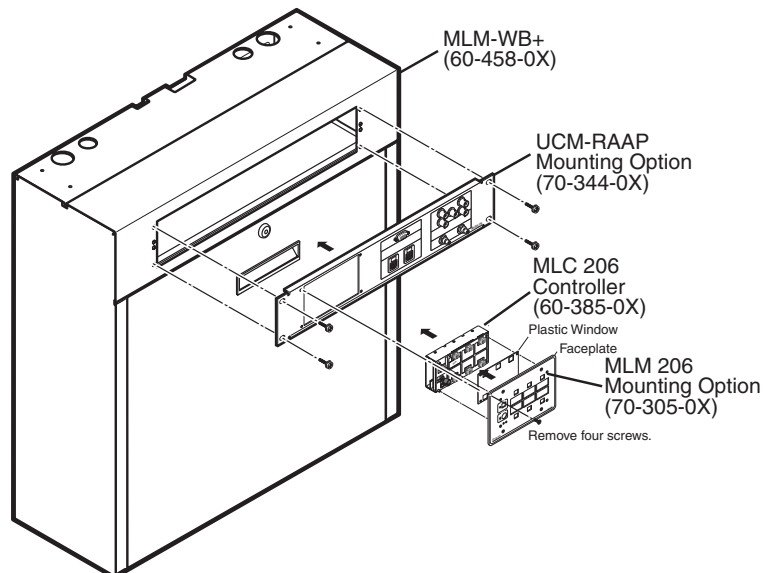
The UCM Series consists of the following models:

- **UCM-RAAP** – 2U high 3.5" H x 19.0" W (8.9 cm H x 48.3 cm W), rack-mounting faceplate with eight single-space AAP openings. Black: #70-344-02, or White: #70-344-03
- **UCM-10X8P** – 8.25" H x 10.25" W (21.0 cm H x 26.0 cm W) faceplate with eight single-space AAP openings; it can be mounted to a mud ring or Hoffman box. Black: #70-341-02, or White: #70-341-03

Assembly of the UCM-RAAP is shown below with an optional MLC 206 controller and MLM 206-L lectern faceplate; other UCM mounting options are assembled in a similar way.

To assemble a UCM universal mounting option, do the following:

1. Cable the enclosure or box in preparation for the UCM panel and its components (refer to the cabling information provided in the controller documentation).
2. Attach the lectern faceplate and controller to the UCM panel by using the four provided Phillips flat head screws, and securing them from the back with nuts (refer to the lectern faceplate documentation for information on how to attach the controller to the lectern faceplate).
3. Attach the AAPs to the UCM panel.
4. Cable all components within the UCM panel (refer to the cabling information provided in the controller documentation).
5. Align the UCM panel with the opening of the enclosure or box and secure it using the remaining screws.



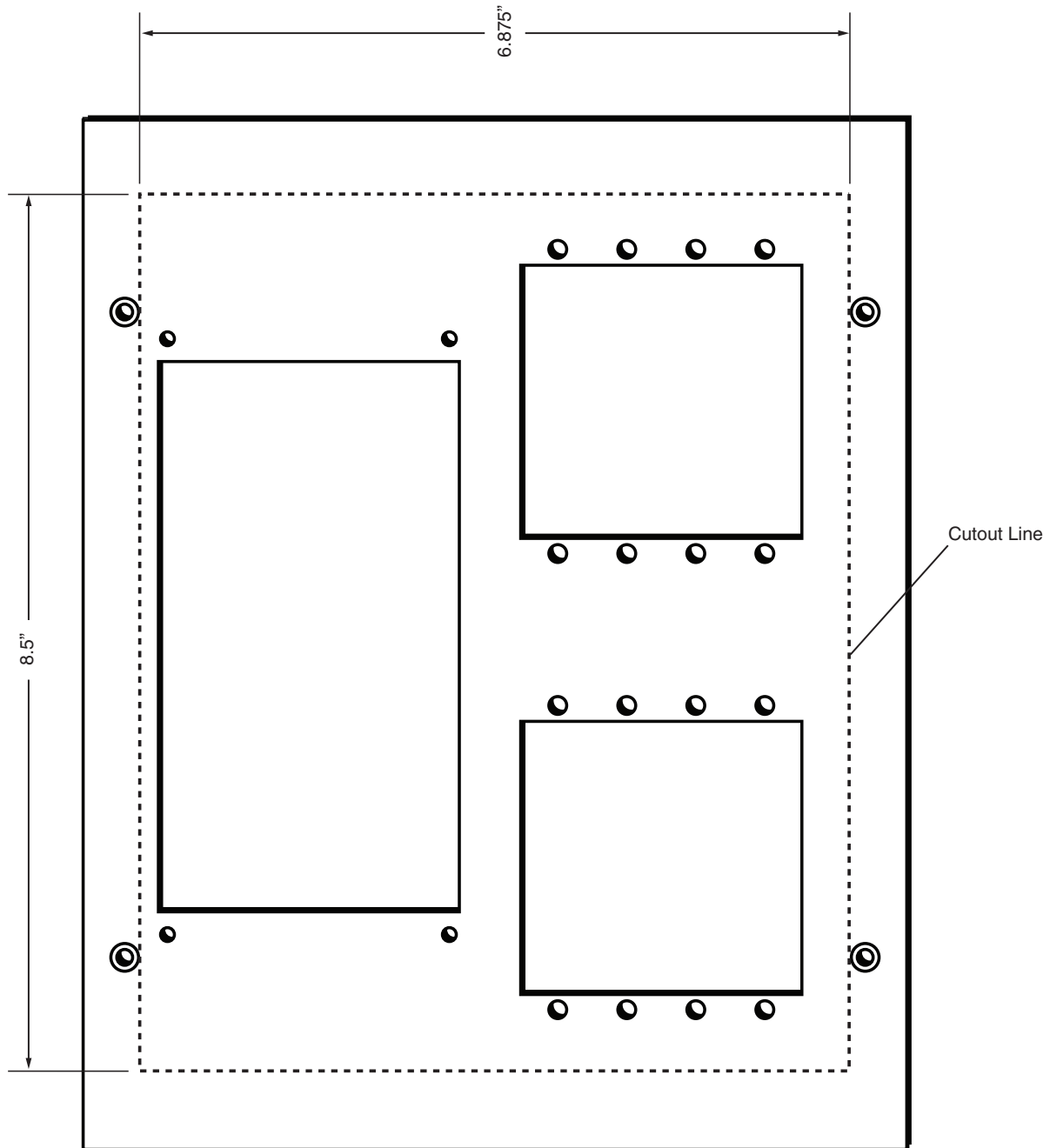
68-879-01 Rev. C
09 06

Template and Dimensions

The following template *is not* for use with a mud ring.

NOTE This template is **not** to scale. Always check and measure using the dimensions given in this document.

Cut-Out template for the Extron UCM 10X8P



TEMPLATE IS **NOT** FULL SIZE.

Cut-Out Template for Extron's **UCM 10X8P**

Free Manuals Download Website

<http://myh66.com>

<http://usermanuals.us>

<http://www.somanuals.com>

<http://www.4manuals.cc>

<http://www.manual-lib.com>

<http://www.404manual.com>

<http://www.luxmanual.com>

<http://aubethermostatmanual.com>

Golf course search by state

<http://golfingnear.com>

Email search by domain

<http://emailbydomain.com>

Auto manuals search

<http://auto.somanuals.com>

TV manuals search

<http://tv.somanuals.com>