

**ASy 630**



## ***Hand Drill***



### ***SERVICE***

***Tool service and maintenance must be performed only by qualified repair personnel.***

***When servicing a tool, only use identical replacement parts available from FEIN.***

Repairs on FEIN Power Tools required the use of special tools (pulling devices and bearing press). Authorized repair centers have trained repair technicians and equipment necessary to perform these repairs. Service or repairs performed by unqualified persons could result in operator injury.

For the location of the repair center near you, please call 1-800-441-9878. Monday thru Friday, 9AM to 5PM EST. Or, look on our web site at [www.feinus.com](http://www.feinus.com) and follow the link to "Authorized Warranty Repair Centers"

**FEIN Power Tools  
1030 Alcon Street  
Pittsburgh, PA 15220**

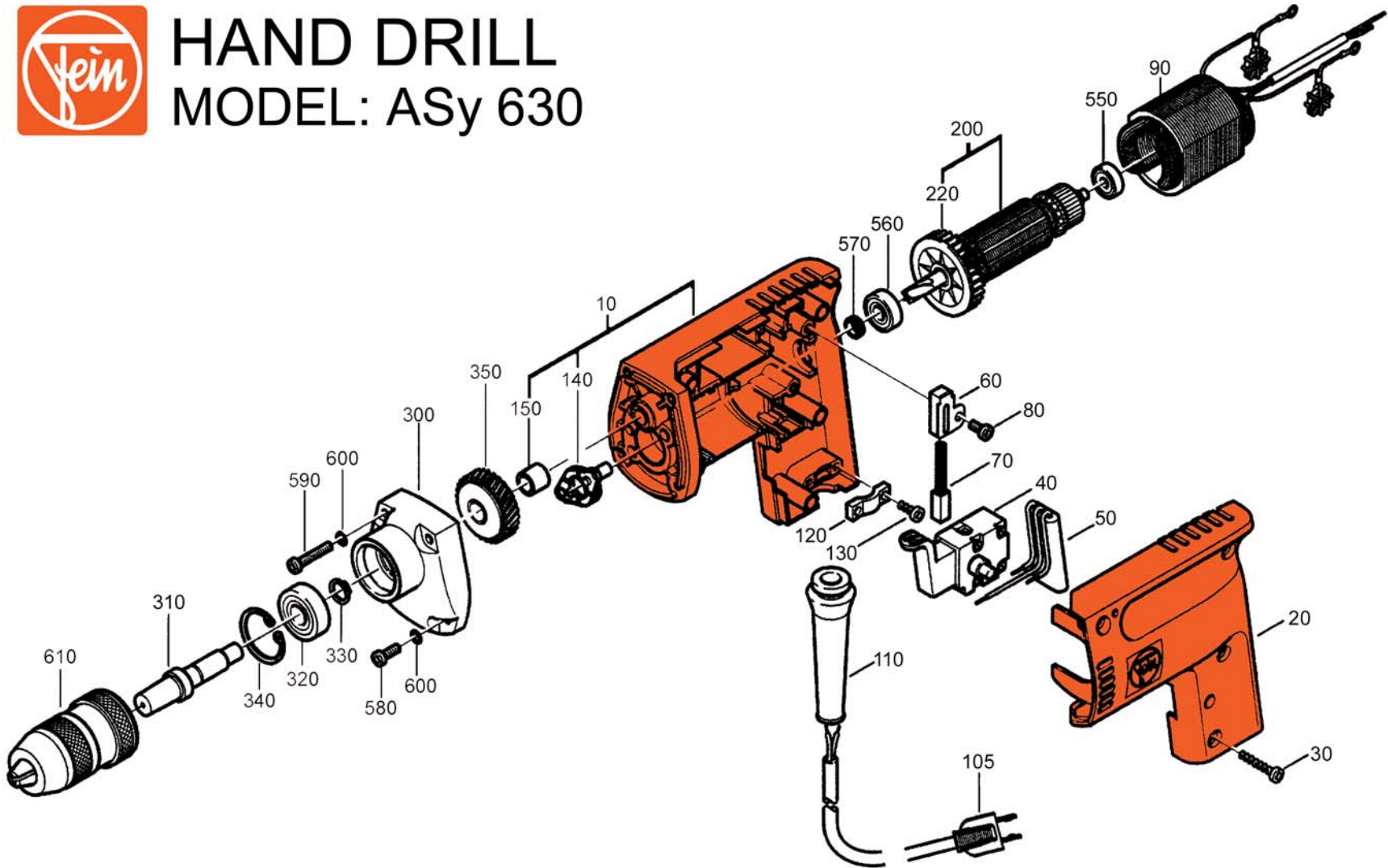
Phone: 412-922-8886 Fax: 412-922-8767 Toll Free: 1-800-441-9878

July 13, 2004



# HAND DRILL

## MODEL: ASy 630



## Fein Power Tools

### ASy 630

<u>Item</u>	<u>Item Number</u>	<u>Description</u>	<u>Reqd.</u>	
10	3-19-12-020-00-4	MOTORHOUSING-LOWER	1	_____
20	3-19-12-021-00-3	MOTORHOUSING-UPPER	1	_____
30	4-30-46-005-00-1	SCREW	5	_____
40	3-07-01-143-00-7	SWITCH	1	_____
50	3-07-22-149-00-4	CAPACITOR	1	_____
60	3-07-12-061-00-2	BRUSH HOLDER	2	_____
70	3-07-11-087-00-2	CARBON BRUSH	2	_____
80	4-30-41-009-99-2	SCREW	2	_____
90	5-1-251-001-11-3	FIELD COIL	1	_____
105	3-07-07-101-01-2	CABLE	1	_____
110	3-14-13-142-00-9	CABLE PROTECTOR SLEEVE	1	_____
120	3-24-31-021-00-7	CABLE CLAMP	1	_____
130	4-30-46-002-00-5	SCREW	2	_____
140	3-24-19-098-00-4	PLATE	1	_____
150	3-16-01-126-00-4	BEARING BUSH	1	_____
200	5-3-251-002-11-8	ARMATURE	1	_____
220	3-10-04-019-00-0	FAN	1	_____
300	3-15-08-171-00-4	GEAR HOUSING	1	_____
310	3-34-01-081-00-1	DRILL SHAFT	1	_____
320	4-17-01-007-03-8	BALL BEARING 608-RS1	1	_____
330	4-26-16-013-00-1	LOCKING RING	1	_____
340	4-26-16-001-00-5	LOCKING RING	1	_____
350	3-36-57-132-00-3	GEAR 41T	1	_____
550	4-17-01-202-02-4	BALL BEARING 608-RS1	1	_____
560	4-17-01-001-17-2	BALL BEARING 608-RS1	1	_____
570	3-26-12-055-00-8	PACKING RING	1	_____
580	4-30-41-003-04-8	SCREW	2	_____
590	4-30-41-020-04-0	SCREW	2	_____
600	4-24-43-003-04-3	LOCK WASHER	4	_____
610	6-32-04-019-00-3	QUICK-ACTION CHUCK	1	_____

## Free Manuals Download Website

<http://myh66.com>

<http://usermanuals.us>

<http://www.somanuals.com>

<http://www.4manuals.cc>

<http://www.manual-lib.com>

<http://www.404manual.com>

<http://www.luxmanual.com>

<http://aubethermostatmanual.com>

Golf course search by state

<http://golfingnear.com>

Email search by domain

<http://emailbydomain.com>

Auto manuals search

<http://auto.somanuals.com>

TV manuals search

<http://tv.somanuals.com>