

ASize 648a



Hand Drill



SERVICE

Tool service and maintenance must be performed only by qualified repair personnel.

When servicing a tool, only use identical replacement parts available from FEIN.

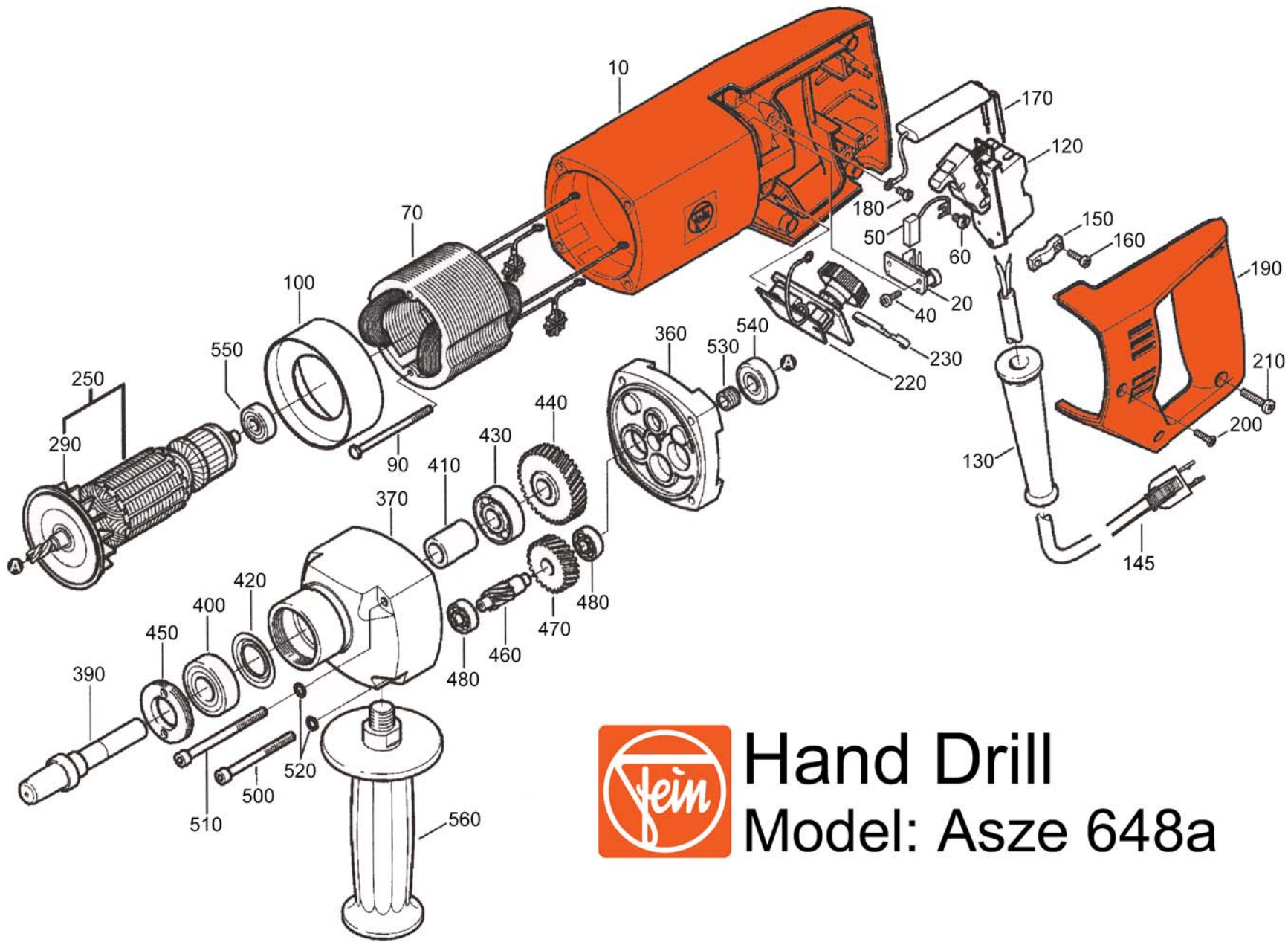
Repairs on FEIN Power Tools required the use of special tools (pulling devices and bearing press). Authorized repair centers have trained repair technicians and equipment necessary to perform these repairs. Service or repairs performed by unqualified persons could result in operator injury.

For the location of the repair center near you, please call 1-800-441-9878. Monday thru Friday, 9AM to 5PM EST. Or, look on our web site at www.feinus.com and follow the link to "Authorized Warranty Repair Centers"

**FEIN Power Tools
1030 Alcon Street
Pittsburgh, PA 15220**

Phone: 412-922-8886 Fax: 412-922-8767 Toll Free: 1-800-441-9878

Nov 23, 2004



 **Hand Drill**
Model: Asze 648a

Fein Power Tools

ASze 648a

<u>Item</u>	<u>Item Number</u>	<u>Description</u>	<u>Reqd.</u>	
10	3-19-02-024-00-9	MOTOR HOUSING	1	_____
20	3-07-12-067-01-7	BRUSH HOLDER	2	_____
40	4-30-41-001-99-4	SCREW	4	_____
50	3-07-11-067-00-4	CARBON BRUSH	2	_____
60	4-30-03-029-04-8	SCREW	2	_____
70	5-1-213-001-11-9	FIELD COIL	1	_____
90	4-30-01-004-04-2	SCREW	2	_____
100	3-14-28-010-00-5	AIR CONDUCTING RING	1	_____
120	3-07-01-073-00-5	REVERSING SWITCH	1	_____
130	3-14-13-090-00-3	CABLE PROTECTING SLEEVE	1	_____
145	3-07-05-035-01-3	CABLE	1	_____
150	3-24-31-021-00-7	CABLE CLAMP	1	_____
160	4-30-41-011-99-3	SCREW	2	_____
170	3-07-22-057-00-2	CAPACITOR	1	_____
180	4-30-03-013-99-1	SCREW	1	_____
190	3-24-28-052-00-9	COVER	1	_____
200	4-30-66-003-99-6	SCREW	1	_____
210	4-30-41-013-04-7	SCREW	3	_____
220	3-07-62-003-01-6	SPEED CONTROL	1	_____
230	3-09-04-038-00-6	CUP SPRING	1	_____
250	5-3-213-003-11-8	ARMATURE	1	_____
290	3-10-04-010-00-3	FAN	1	_____
360	3-15-06-178-00-0	INTERM HOUSING	1	_____
370	3-15-08-121-00-9	GEAR HOUSING	1	_____
390	3-34-01-064-00-8	DRILL SHAFT	1	_____
400	4-17-01-218-02-4	BALL BEARING 608-RS1	1	_____
410	3-05-01-223-00-7	SLEEVE	1	_____
420	4-26-39-005-00-0	SEALING RING	1	_____
430	4-17-01-213-01-1	BALL BEARING 608-RS1	1	_____
440	3-36-63-030-00-1	GEAR WHEEL	1	_____
450	3-26-18-032-00-6	THREADED RING	1	_____
460	3-37-63-012-00-4	GEAR WHEEL	1	_____
470	3-36-63-028-00-5	GEAR WHEEL	1	_____
480	4-17-01-001-01-0	BALL BEARING 608-RS1	2	_____
500	4-30-35-023-05-7	SCREW	2	_____
510	4-30-35-025-05-9	SCREW	2	_____
520	4-24-43-004-05-7	LOCK WASHER	4	_____
530	3-26-12-058-00-3	PACKING RING	1	_____
540	4-17-01-207-09-6	BALL BEARING 608-RS1	1	_____
550	4-17-01-204-13-1	BALL BEARING 608-RS1	1	_____
560	3-21-19-032-00-2	HANDLE	1	_____

Free Manuals Download Website

<http://myh66.com>

<http://usermanuals.us>

<http://www.somanuals.com>

<http://www.4manuals.cc>

<http://www.manual-lib.com>

<http://www.404manual.com>

<http://www.luxmanual.com>

<http://aubethermostatmanual.com>

Golf course search by state

<http://golfingnear.com>

Email search by domain

<http://emailbydomain.com>

Auto manuals search

<http://auto.somanuals.com>

TV manuals search

<http://tv.somanuals.com>