

DDSK 672 / 672-1



Hand Drill



SERVICE

Tool service and maintenance must be performed only by qualified repair personnel.

When servicing a tool, only use identical replacement parts available from FEIN.

Repairs on FEIN Power Tools required the use of special tools (pulling devices and bearing press). Authorized repair centers have trained repair technicians and equipment necessary to perform these repairs. Service or repairs performed by unqualified persons could result in operator injury.

For the location of the repair center near you, please call 1-800-441-9878. Monday thru Friday, 9AM to 5PM EST. Or, look on our web site at www.feinus.com and follow the link to "Authorized Warranty Repair Centers"

**FEIN Power Tools
1030 Alcon Street
Pittsburgh, PA 15220**

Phone: 412-922-8886 Fax: 412-922-8767 Toll Free: 1-800-441-9878

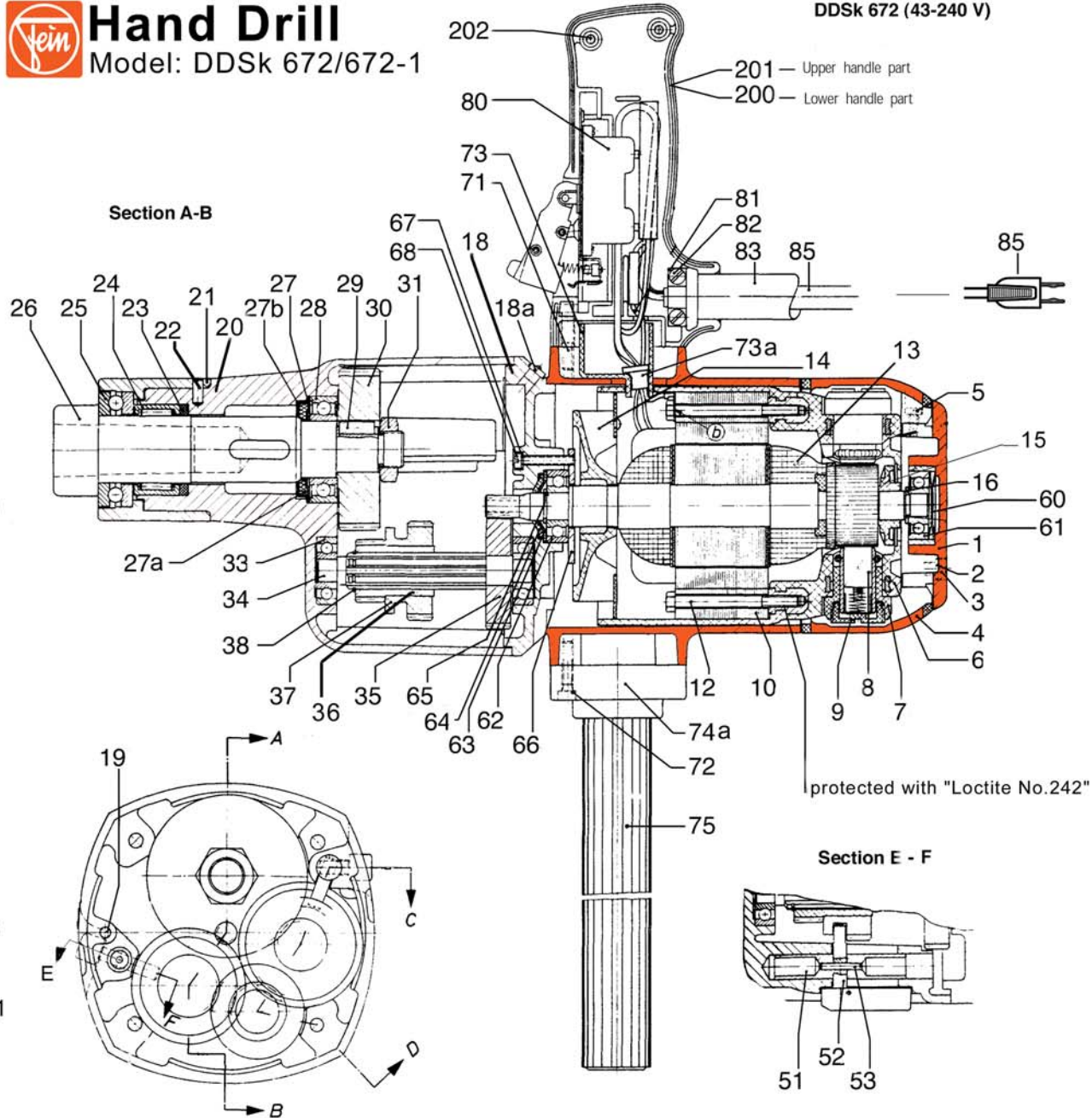
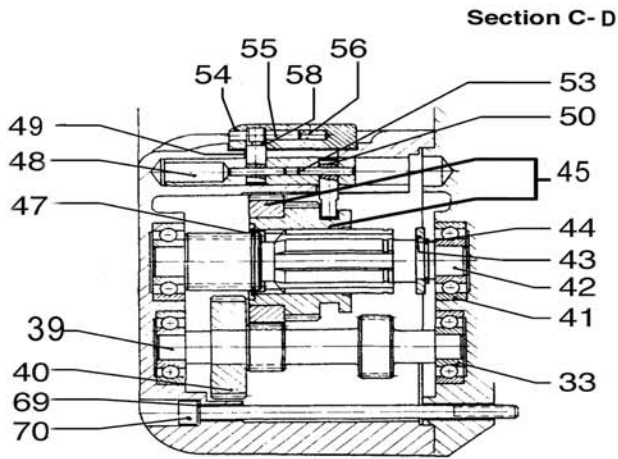
November 24, 2003



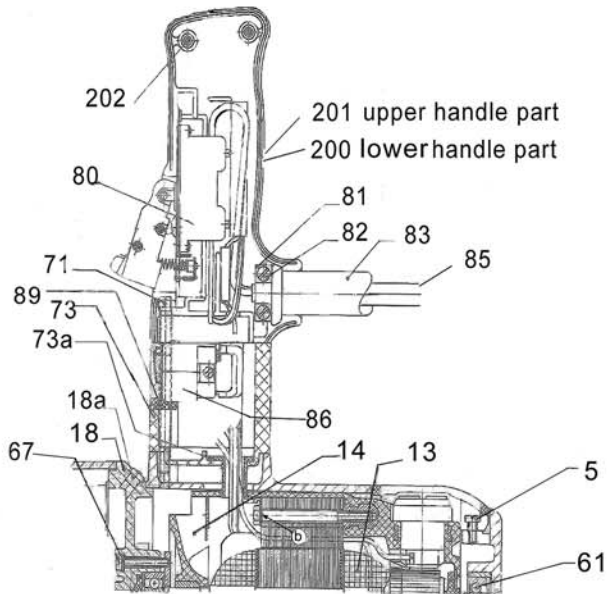
Hand Drill

Model: DDSk 672/672-1

DDSk 672 (43-240 V)



DDSK 672-1(43-240V)



Fein Power Tools

DDSK 672 / 672-1

Page 1

<u>Item</u>	<u>Item Number</u>	<u>Description</u>	<u>Reqd</u>	
1	3-19-03-095-00-7	MOTORHOUSING	1	_____
2	4-24-43-004-05-7	SECURING DISC	2	_____
3	4-30-33-014-05-8	SCREW	2	_____
4	3-24-27-031-00-1	COVER	1	_____
5	4-30-02-033-04-5	SCREW	4	_____
6	3-19-13-018-00-9	INSULATOR	1	_____
7	3-07-12-048-01-7	BRUSH HOLDER (DDSK 672)	2	_____
7	3-07-12-047-04-7	BRUSH HOLDER (DDSK 672-1)	2	_____
8	3-07-11-097-00-1	CARBON BRUSH (110V)	2	_____
9	3-07-13-009-00-7	BRUSH HOLDER CAP	2	_____
10	5-1-232-002-11-8	FIELD COIL (DDSK 672 110V)	1	_____
10	5-1-232-003-11-2	FIELD COIL (DDSK 672-1 110V)	1	_____
12	4-30-01-007-05-9	SCREW	2	_____
13-16	5-3-232-003-11-4	ARMATURE (DDSK 672 110V)	1	_____
13-16	5-3-232-001-11-7	ARMATURE (DDSK 672-1 110V)	1	_____
18,18a	3-15-06-153-00-5	INTERMEDIATE BEARING	1	_____
18a	3-21-31-037-00-5	GREASER		_____
19	4-02-01-050-00-3	CYLINDRICAL PIN	1	_____
20-22	3-15-09-058-00-2	OUTER BEARING	1	_____
23	4-06-08-021-00-7	SEALING RING	1	_____
24	4-17-06-016-00-0	NEEDLE BEARING	1	_____
25	4-17-07-011-00-9	DEEP THRUST BEARING	1	_____
26	3-34-02-037-00-6	DRILL SHAFT	1	_____
27	3-24-11-056-00-9	COVER PLATE	1	_____
27a	3-06-01-062-00-3	FELT RING	1	_____
27b	3-24-11-057-00-3	COVER PLATE	1	_____
28	4-17-01-017-02-1	BALL BEARING	1	_____
29	4-02-21-040-00-6	FITTING KEY	1	_____
30	3-36-67-007-00-3	GEAR WHEEL (43T)	1	_____
31	4-20-03-007-00-5	NUT	1	_____
33	4-17-01-210-01-5	BALL BEARING	4	_____
34	3-34-16-005-00-5	SWITCH SHAFT	1	_____
35	3-36-63-019-00-0	GEAR WHEEL (46T)	1	_____
36,37	3-36-65-010-01-0	GEAR WHEEL (19/33T DDSK 672)	1	_____
36,37	3-36-17-056-01-1	GEAR WHEEL (17/33T DDSK 672-1)	1	_____
38	4-26-16-023-00-0	SECURING RING	1	_____
39	3-38-11-013-00-0	DOUBLE PINION(13/19T DDSK 672)	1	_____
39	3-38-11-023-00-9	DOUBLE PINION(12/19T DDSK672-1)	1	_____
40	3-36-65-009-00-9	GEAR WHEEL (DDSK 672 30T)	1	_____
40	3-36-17-054-00-5	GEAR WHEEL (DDSK 672-1 26T)	1	_____
41	4-17-01-213-01-1	BALL BEARING	2	_____
42	3-37-67-005-00-5	PINION (13T)	1	_____
43	4-24-01-007-14-2	DISC	1	_____

<u>Item</u>	<u>Item Number</u>	<u>Description</u>	<u>Reqd</u>	
44	4-26-43-003-00-4	CIRCLIP	1	_____
45	3-36-15-025-01-5	GEAR WHEEL (37/40T DDSK 672)	1	_____
45	3-36-15-025-02-1	GEAR WHEEL (35/37T DDSK 672-1)	1	_____
47	4-26-16-043-00-8	SECURING RING	1	_____
48	3-02-17-174-00-5	BOLT	1	_____
49	3-02-17-193-00-5	BOLT	1	_____
50	3-02-17-173-00-7	BOLT	1	_____
51	3-02-17-177-00-6	BOLT	1	_____
52	3-02-17-192-00-1	BOLT	1	_____
53	4-02-38-012-00-1	CLAMPING SLEEVE	3	_____
54	3-28-05-045-00-7	SWITCH HANDLE	2	_____
55	3-02-16-086-00-1	BOLT	2	_____
56	3-09-01-202-00-1	PRESSURE SPRING	2	_____
58	4-02-38-007-00-5	CLAMPING SLEEVE	2	_____
60	3-09-05-019-00-3	FLAT SPRING	2	_____
61	4-17-01-210-02-1	BALL BEARING	1	_____
62	4-17-01-213-02-7	BALL BEARING	1	_____
63	3-24-11-052-00-0	COVER PLATE	1	_____
64	3-06-01-055-00-0	FELT RING	1	_____
65	4-26-43-001-00-7	CIRCLIP SEEGER	1	_____
66	3-24-10-046-00-1	COVER PLATE	1	_____
67	4-24-43-003-04-3	SECURING RING	3	_____
68	4-30-33-006-04-0	SCREW	3	_____
69	4-24-43-005-06-4	SECURING DISC	4	_____
70	4-30-35-043-06-8	SCREW	4	_____
71	4-30-33-014-05-8	SCREW (DDSK 672)	4	_____
71	4-30-35-027-05-6	SCREW (DDSK 672-1)	4	_____
72	4-30-33-012-05-6	SCREW	4	_____
73a	3-14-06-024-00-8	INSULATING SLEEVE (DDSK 672)	1	_____
73	3-12-07-204-00-8	HOUSING (DDSK 672-1)	1	_____
74a	3-24-20-020-00-5	HANDLE FLANGE	1	_____
80	3-07-01-073-00-5	SWITCH	1	_____
81	3-24-31-021-00-7	CABLE CLAMP	1	_____
82	4-30-41-001-99-4	SCREW	2	_____
83	3-14-13-090-00-3	STRAIN RELEASE	1	_____
85	3-07-05-035-01-3	CABLE	1	_____
86	3-07-01-210-01-9	REVERSING SWITCH (DDSK 672-1)	1	_____
89	3-24-14-105-00-2	SWITCH INSERT (DDSK 672-1)	1	_____
200	3-12-04-161-00-4	LOWER HANDLE	1	_____
201	3-12-04-163-00-1	UPPER HANDLE	1	_____
202	4-30-03-042-04-1	SCREW	2	_____
75	3-21-20-024-00-2	TUBE HANDLE		_____
special	3-34-02-037-99-9	CATERPILLAR SHAFT		_____

Free Manuals Download Website

<http://myh66.com>

<http://usermanuals.us>

<http://www.somanuals.com>

<http://www.4manuals.cc>

<http://www.manual-lib.com>

<http://www.404manual.com>

<http://www.luxmanual.com>

<http://aubethermostatmanual.com>

Golf course search by state

<http://golfingnear.com>

Email search by domain

<http://emailbydomain.com>

Auto manuals search

<http://auto.somanuals.com>

TV manuals search

<http://tv.somanuals.com>