

DS 648 / DSe 648



Hand Drill



SERVICE

Tool service and maintenance must be performed only by qualified repair personnel.

When servicing a tool, only use identical replacement parts available from FEIN.

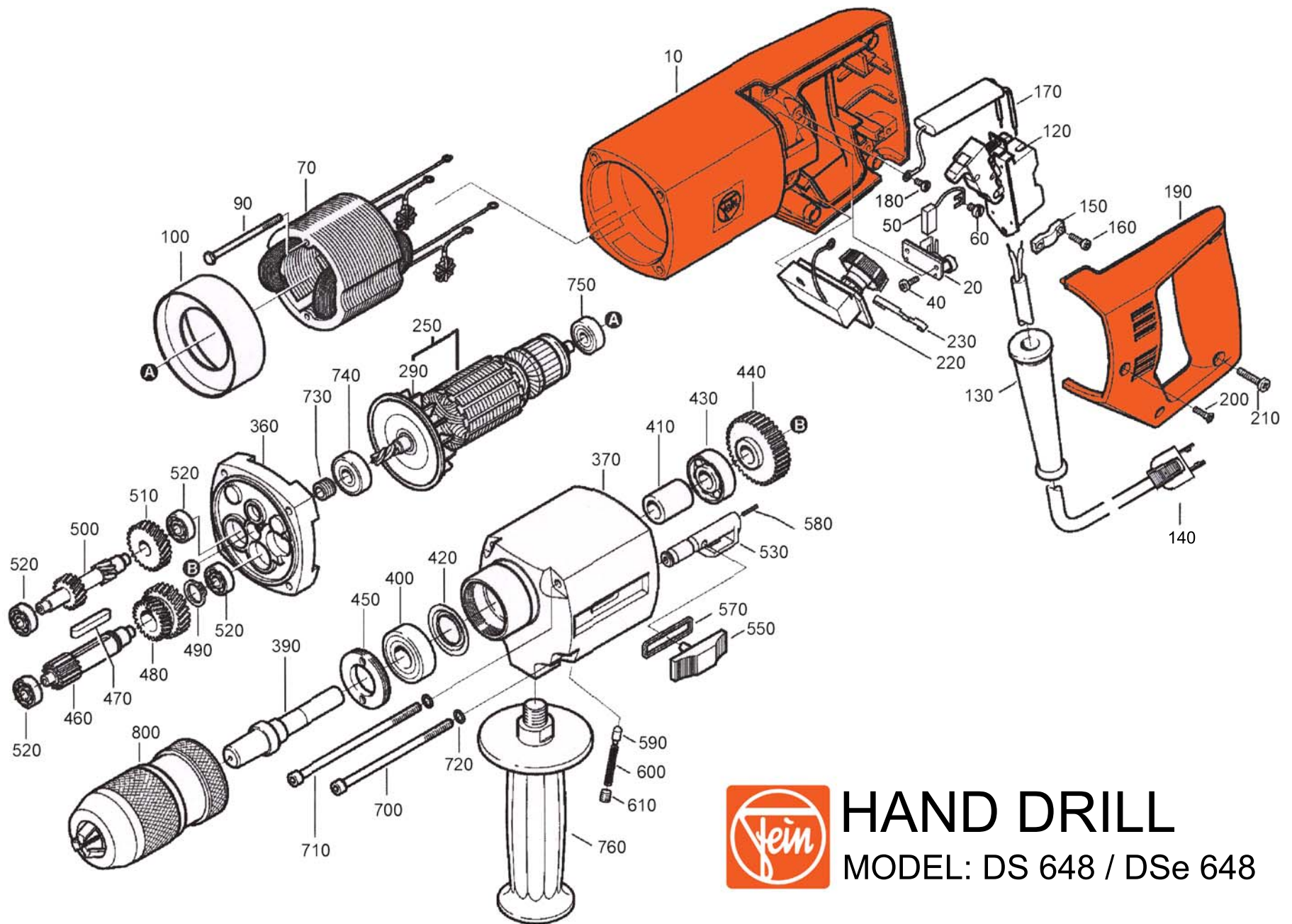
Repairs on FEIN Power Tools required the use of special tools (pulling devices and bearing press). Authorized repair centers have trained repair technicians and equipment necessary to perform these repairs. Service or repairs performed by unqualified persons could result in operator injury.

For the location of the repair center near you, please call 1-800-441-9878. Monday thru Friday, 9AM to 5PM EST. Or, look on our web site at www.feinus.com and follow the link to "Authorized Warranty Repair Centers"

**FEIN Power Tools
1030 Alcon Street
Pittsburgh, PA 15220**

Phone: 412-922-8886 Fax: 412-922-8767 Toll Free: 1-800-441-9878

July 10, 2004



HAND DRILL

MODEL: DS 648 / DSe 648

Fein Power Tools

DS 648 / DSE 648

<u>Item</u>	<u>Item Number</u>	<u>Description</u>	<u>Reqd</u>	
10	3-19-02-022-00-7	MOTORHOUSING (DS648)	1	_____
10	3-19-02-024-00-9	MOTORHOUSING (DSE648)	1	_____
20	3-07-12-067-01-7	BRUSH HOLDER	2	_____
40	4-30-41-001-99-4	SCREW	4	_____
50	3-07-11-067-00-4	CARBON BRUSH	2	_____
60	4-30-03-029-04-8	SCREW	2	_____
70	5-1-213-001-11-9	FIELD COIL	1	_____
90	4-30-01-004-04-2	SCREW	2	_____
100	3-14-28-010-00-5	AIR CONDUCTING RING	1	_____
120	3-07-01-073-00-5	REVERSING SWITCH	1	_____
130	3-07-07-181-01-4	PROTECTION SLEVE (DS648)	1	_____
130	3-14-13-090-00-3	PROTECTION SLEVE (DSE648)	1	_____
145	3-07-05-035-01-3	CABLE	1	_____
150	3-24-31-021-00-7	CABLE CLAMP	1	_____
160	4-30-41-011-99-3	SCREW	2	_____
170	3-07-22-057-00-2	CAPACITOR	1	_____
180	4-30-03-013-99-1	SCREW	1	_____
190	3-24-28-050-00-7	COVER (DS648)	1	_____
190	3-24-28-052-00-9	COVER (DSE648)	1	_____
200	4-30-66-003-99-6	SCREW	1	_____
210	4-30-41-013-04-7	SCREW	3	_____
220	3-07-62-006-01-1	SPEED CONTROL (DSE648)	1	_____
230	3-09-04-038-00-6	SPRING (DSE648)	1	_____
250	5-3-213-004-11-6	ARMATURE	1	_____
290	3-10-04-010-00-3	FAN	1	_____
360	3-15-06-173-00-3	INTER BEARING	1	_____
370	3-15-08-125-00-8	GEAR HOUSING	1	_____
390	3-34-01-064-00-8	DRILL SHAFT	1	_____
400	4-17-01-218-02-4	BALL BEARING 608-RS1	1	_____
410	3-05-01-223-00-7	SLEEVE	1	_____
420	4-26-39-005-00-0	GASKET	1	_____
430	4-17-01-213-01-1	BALL BEARING 608-RS1	1	_____
440	3-36-13-067-00-1	GEAR WHEEL - 44T	1	_____
450	3-26-18-032-00-6	THREADED RING	1	_____
460	3-37-13-046-00-8	GEAR WHEEL - 16T	1	_____
470	4-02-21-033-00-3	FITTING KEY	1	_____
480	3-38-11-033-00-8	GEAR WHEEL - 31/23 T	1	_____
490	4-26-16-036-00-4	SECURING RING	1	_____
500	3-38-11-010-00-4	GEAR WHEEL - 10/18 T	1	_____
510	3-36-57-033-00-8	GEAR WHEEL - 38 T	1	_____
520	4-17-01-001-01-0	BALL BEARING 608-RS1	4	_____
530	3-02-17-194-01-2	BOLT	1	_____
550	3-01-09-058-00-7	SLIDING BUTTON	1	_____
570	3-06-04-039-00-3	FELT GASKET	1	_____
580	4-02-38-007-00-5	CLAMPING SLEEVE	1	_____
590	3-02-16-079-00-8	BOLT	1	_____
600	3-09-01-001-00-3	PRESSURE SPRING	1	_____
610	4-30-10-015-06-4	THREADED PIN	1	_____
700	4-30-35-091-05-3	SCREW	2	_____
710	4-30-35-092-05-6	SCREW	2	_____
720	4-24-43-004-05-7	LOCKING WASHER	4	_____
730	3-26-12-060-00-9	PACKING RING	1	_____
740	4-17-01-207-09-6	BALL BEARING 608-RS1	1	_____
750	4-17-01-204-13-1	BALL BEARING 608-RS1	1	_____
760	3-21-19-032-00-2	HANDLE	1	_____
800	6-32-04-025-00-3	QUICK-ACTION CHUCK	1	_____

Free Manuals Download Website

<http://myh66.com>

<http://usermanuals.us>

<http://www.somanuals.com>

<http://www.4manuals.cc>

<http://www.manual-lib.com>

<http://www.404manual.com>

<http://www.luxmanual.com>

<http://aubethermostatmanual.com>

Golf course search by state

<http://golfingnear.com>

Email search by domain

<http://emailbydomain.com>

Auto manuals search

<http://auto.somanuals.com>

TV manuals search

<http://tv.somanuals.com>