

WSg 12-70E



Angle Grinder / Sander



SERVICE

Tool service and maintenance must be performed only by qualified repair personnel.

When servicing a tool, only use identical replacement parts available from FEIN.

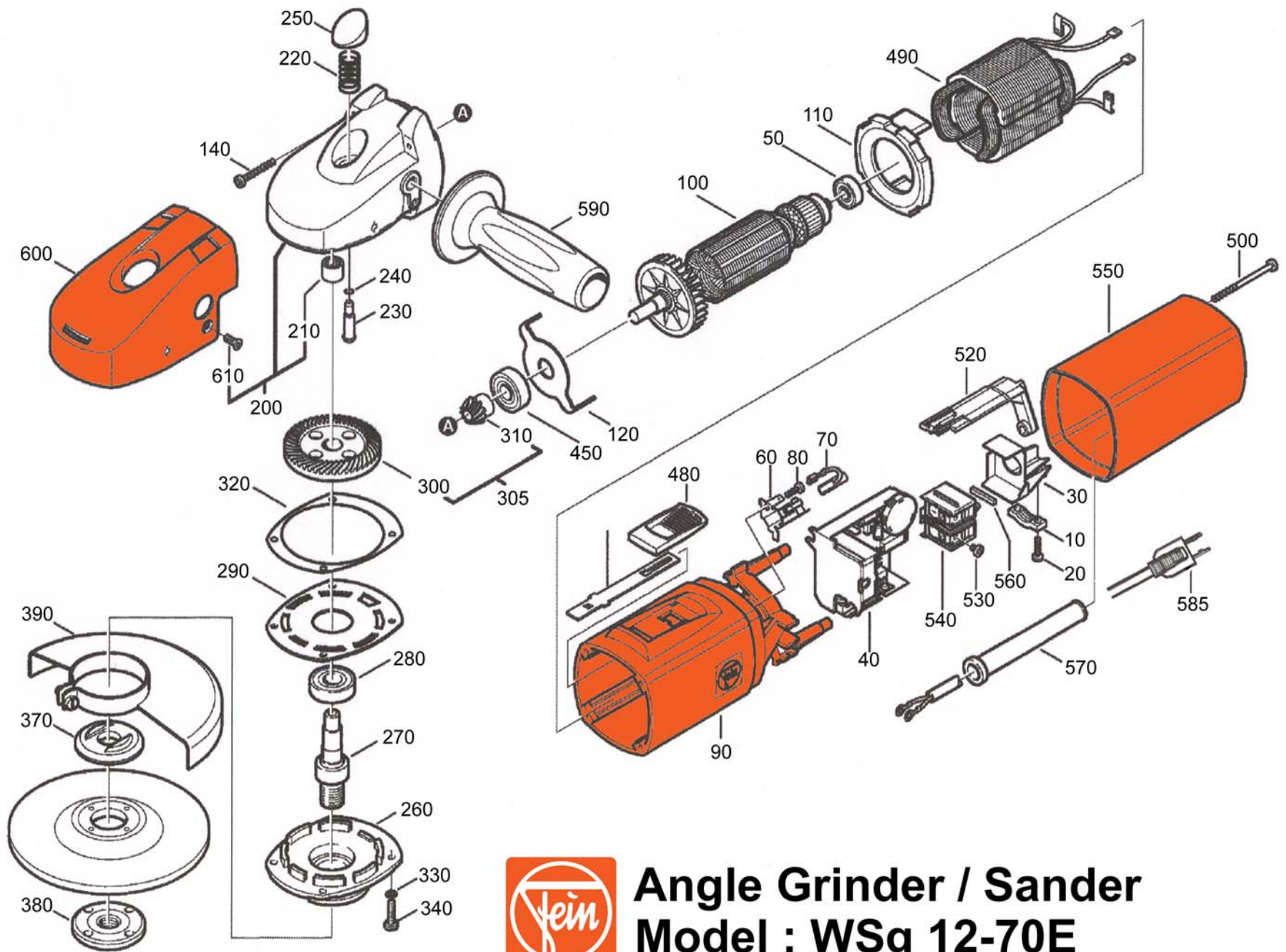
Repairs on FEIN Power Tools required the use of special tools (pulling devices and bearing press). Authorized repair centers have trained repair technicians and equipment necessary to perform these repairs. Service or repairs performed by unqualified persons could result in operator injury.

For the location of the repair center near you, please call 1-800-441-9878. Monday thru Friday, 9AM to 5PM EST. Or, look on our web site at www.feinus.com and follow the link to "Authorized Warranty Repair Centers"

**FEIN Power Tools
1030 Alcon Street
Pittsburgh, PA 15220**

Phone: 412-922-8886 Fax: 412-922-8767 Toll Free: 1-800-441-9878

August 3, 2004



Angle Grinder / Sander Model : WSg 12-70E

Fein Power Tools

WSg 12-70E

<u>Item</u>	<u>Item Number</u>	<u>Description</u>	<u>Reqd.</u>	
10	3-24-31-021-00-7	CABLE CLAMP	1	_____
20	4-30-70-001-00-6	SCREW	2	_____
30	3-24-31-040-00-6	CABLE CLAMP	1	_____
40	3-07-62-233-99-9	ELECTRIC SPEED CONTROL	1	_____
50	4-17-01-001-17-2	BALL BEARING 608-RS1	1	_____
60	3-07-12-088-02-9	BRUSH HOLDER	2	_____
70	3-07-11-132-00-3	CARBON BRUSH	2	_____
80	4-30-70-018-00-9	SCREW	2	_____
90	3-19-01-114-01-4	MOTOR HOUSING	1	_____
100	5-3-273-001-11-7	ARMATURE	1	_____
110	3-14-28-118-00-7	AIR CONDUCTING RING	1	_____
120	3-24-16-098-00-5	COVER PLATE	1	_____
140	4-30-70-007-00-2	SCREW	4	_____
200	3-12-06-110-01-5	GEAR HOUSING	1	_____
210	4-17-05-019-00-1	NEEDLE BEARING	1	_____
220	3-09-01-032-00-3	PRESSURE SPRING	1	_____
230	3-02-17-327-00-3	PIN	1	_____
240	4-06-12-137-00-8	SEALING RING	1	_____
250	3-28-05-185-00-2	THRUST BUTTON	1	_____
260	3-24-19-115-00-6	BEARING PLATE	1	_____
270	3-34-06-284-00-9	DRIVE SHAFT	1	_____
280	4-17-01-010-05-4	BALL BEARING 608-RS1	1	_____
290	3-24-16-101-00-9	COVER PLATE	1	_____
305	3-38-09-229-01-2	BEVEL GEAR	1	_____
320	3-26-24-117-00-9	WASHER	1	_____
330	4-24-43-003-04-3	LOCKING WASHER	4	_____
340	4-30-41-023-04-6	SCREW	4	_____
370	6-38-01-095-00-8	INNER FLANGE	1	_____
380	6-38-02-098-00-7	FLANGE	1	_____
390	3-18-10-241-01-3	5" WHEEL GUARD	1	_____
450	4-17-01-007-03-8	BALL BEARING 608-RS1	1	_____
480	3-28-05-156-00-8	SLIDING SWITCH	1	_____
490	5-1-273-001-11-5	FIELD COIL	1	_____
500	4-30-70-017-00-1	SCREW	2	_____
510	3-28-16-055-00-0	SWITCH BAR	1	_____
520	3-28-16-052-00-4	SWITCH ROD	1	_____
530	4-30-41-039-99-9	SCREW	2	_____
540	3-07-01-218-00-3	SWITCH	1	_____
550	3-12-01-101-00-8	COVER	1	_____
560	3-14-15-082-00-4	BOLSTER	1	_____
570	3-14-13-007-00-7	CABLE PROTECTING SLEEVE	1	_____
585	3-07-05-035-01-3	CABLE	1	_____
590	3-21-19-107-01-6	HANDLE	1	_____
600	3-14-28-125-00-1	COVER	1	_____
610	4-30-64-020-04-9	SCREW	2	_____

Free Manuals Download Website

<http://myh66.com>

<http://usermanuals.us>

<http://www.somanuals.com>

<http://www.4manuals.cc>

<http://www.manual-lib.com>

<http://www.404manual.com>

<http://www.luxmanual.com>

<http://aubethermostatmanual.com>

Golf course search by state

<http://golfingnear.com>

Email search by domain

<http://emailbydomain.com>

Auto manuals search

<http://auto.somanuals.com>

TV manuals search

<http://tv.somanuals.com>