



- ▶ Turbo I 9 20 24
- ▶ Turbo II 9 20 25
- ▶ Turbo III 9 20 26

#### FEIN Service

##### USA

FEIN Power Tools Inc.  
1030 Alcon Street  
Pittsburgh, PA 15220  
Telephone: (412) 922-8886  
Toll Free: 1-800-441-9878  
[www.feinus.com](http://www.feinus.com)

##### Canada

FEIN Canadian Power Tool  
Company  
323 Traders Boulevard East  
Mississauga, Ontario L4Z 2E5  
Telephone.: (905) 8901390  
Toll Free: 1-800-265-2581

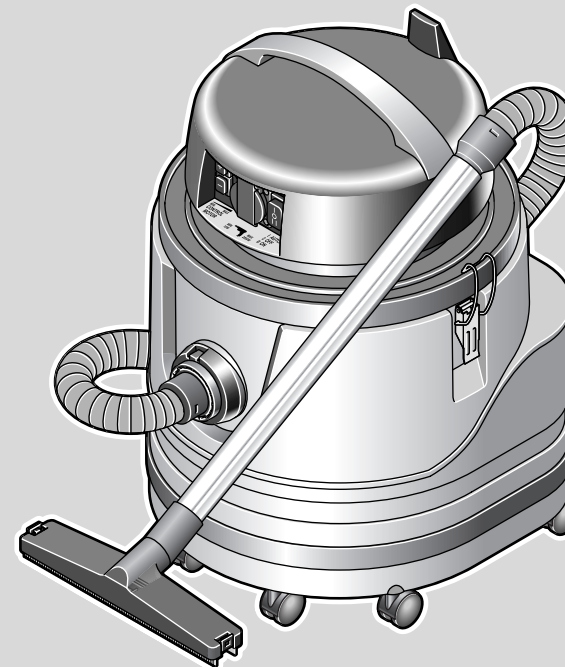
FEIN Canadian Power Tool  
Company  
2810 De Miniac  
St. Laurent, Quebec H4S 1K9  
Telephone: (514) 331-7390  
Toll Free: 1-800-789-8181  
[www.fein.com](http://www.fein.com)

##### Headquarter

C. & E. FEIN GmbH  
Hans-Fein-Straße 81  
D-73529 Schwäbisch Gmünd -Bargau

[www.fein.com](http://www.fein.com)

© C. & E. FEIN GmbH. Printed in Germany. Abbildungen unverbindlich. Technische Änderungen vorbehalten. 3 41 01 116 06 0 BY 2010.12 DE.



## For your safety.

**⚠ WARNING** **Read all safety warnings and all instructions.** Failure to follow the warnings and instructions may result in electric shock, fire and/or serious injury. **Save all warnings and instructions for future reference.**

**🚫** Do not use this vacuum cleaner before you have thoroughly read and completely understood this instruction manual. The documents mentioned should be kept for later use and enclosed with the vacuum cleaner, should it be passed on or sold.

Only carry out such operations with this vacuum cleaner as intended for by FEIN. Only use application tools and accessories that have been released by FEIN.

Please also observe the relevant national industrial safety regulations.

Non-observance of the safety instructions in the said documentation can lead to an electric shock, burns and/or severe injuries.

This Instruction Manual should be kept for later use and enclosed with the power tool, should it be passed on or sold.

**SAVE THESE INSTRUCTIONS.**

## Special safety instructions.

**Operate the vacuum cleaner only from socket outlets that are grounded. Only use undamaged power supply cords and regularly checked extension cords with grounded contact.** A protective conductor without continuity can lead to electric shock.

**Operate the vacuum cleaner only off power supplies whose voltage and frequency values correspond with the values on the type plate of the vacuum cleaner.**

**When wet vacuuming, operate the vacuum cleaner only when the container is level.** Otherwise there is danger of electric shock from water penetrating into the vacuum cleaner motor.

**Do not misuse the power supply cord to pull the vacuum cleaner around or pull the plug from the socket outlet. Keep the power supply cord away from heat, oil, sharp edges, or rotating parts. Do not drive over or pinch the power supply cord.** Damaged or entangled power supply cords increase the risk of an electric shock.

**Before replacing accessories, pull the plug from the socket outlet.** This safety measure reduces the risk of electric shock.

**Do not vacuum materials that are hazardous to one's health, e. g., dust from beech or oak wood, masonry dust, asbestos.** These materials are considered carcinogenic.

**Do not vacuum inflammable or explosive fluids; for example, gasoline, oil, alcohol, solvents. Do not vacuum hot or inflammable dusts. Do not operate the machine in rooms where the danger of an explosion exists.** The dusts, vapors or fluids can ignite or explode.

This appliance is not intended for use by persons (including children) with reduced physical, sensory or mental capabilities, or lack of experience and knowledge, unless they have been given supervision or instruction concerning use of the appliance by a person responsible for their safety.

Children should be supervised to ensure that they do not play with the appliance.

**Do not rivet or screw any name-plates or signs to the vacuum cleaner.** If the insulation is damaged, protection against an electric shock will be ineffective. Adhesive labels are recommended.

**Do not use accessories not specifically intended and recommended for this vacuum cleaner by FEIN.** Just because the accessory can be attached to your vacuum cleaner, it does not assure safe operation.

**Before putting into operation, check the connection and the plug for damage.**

**Please also observe the operating instructions and safety warnings of the power tool being connected to the socket outlet of the vacuum cleaner.**

### Extension cord

**⚠ WARNING** If the use of an extension cord is required, its length and conductor cross-section must be adequate for the applicational case, in order to prevent a voltage drop in the extension cord, power loss and overheating of the power tool. Otherwise, the extension cord and power tool are liable to electrical danger, and the working efficiency is impaired.

**Recommended dimensions of extension cords at an operating voltage of 120 V – single-phase a. c.:**

### Vakuumcleaner without power tool

Min. conductor size (A.W.G.)			Conductor Size in mm <sup>2</sup>		
16	14	12	1.5	2.5	4
Cord Length in Feet			Cord Length in Meters		
≤ 100	100–200	200–300	≤ 30	30–60	60–100

### Vakuumcleaner with power tool












Power consumption	Min. conductor size (A.W.G.)			Conductor Size in mm <sup>2</sup>		
10–13	16	14	12	1.5	2.5	4
13–18	14	12	–	2.5	4	–
	Cord Length in Feet			Cord Length in Meters		
	≤ 100	100–200	200–300	≤ 30	30–60	60–100

### Intended use of the vacuum cleaner.

Wet/dry vacuum cleaner for vacuuming and extraction of dry, non-hazardous dusts, minor dust particles, particularly when carrying out dust-forming work with a power tool,

and non-combustible liquids, in weather-protected environments using the application tools and accessories recommended by FEIN.

## Symbols.

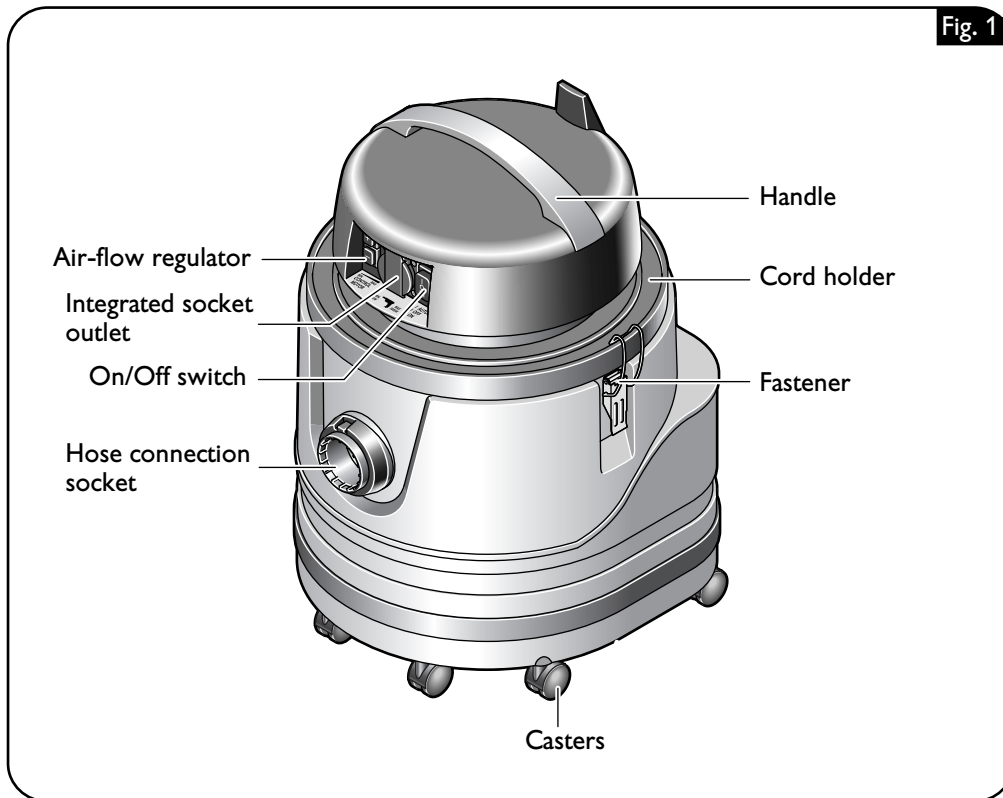
Symbol	Explanation
	Action to be taken by the user
	General prohibition sign. This action is forbidden!
	Observe the instructions in the text or graphic opposite!
	Be absolutely sure to read the enclosed documentation such as the Instruction Manual and the General Safety Instructions.
	Before commencing this working step, pull the plug out of the socket. Otherwise there may be danger of injury caused by unintentional starting of the vacuum cleaner.
	This symbol confirms the certification of this product for the USA and Canada.
 <b>DANGER</b>	This sign warns of a directly imminent, dangerous situation. A false reaction can cause a severe or fatal injury.
 <b>WARNING</b>	This sign indicates a possible dangerous situation that could cause severe or fatal injury.
 <b>CAUTION</b>	This sign warns of a possible dangerous situation that could cause injury.
	Worn out power tools and other electrotechnical and electrical products should be sorted separately for environment-friendly recycling.
	Product with basic insulation and exposed (touchable), conductive parts additionally connected to the protective earth conductor.
~ or a. c.	Alternating current
1 ~	Alternating current single-phase
∅	Diameter of a round part

Unit of measure, national	Explanation
W	Unit of measure for electrical power
l	Unit of measure for volume
l/min	Unit of measure for air flow (air volume)
mbar	Unit of measure for pressure
m, s, kg, A, mm, V, W, Hz, N, °C, dB, min, m/s <sup>2</sup>	Basic and derived units of measure from the international system of units <b>SI</b> .

## Technical description and specifications.

**⚠ WARNING** Before mounting or replacing accessories, pull the plug. This preventive safety measure rules out the danger of injuries through accidental starting of the vacuum cleaner.

Your vacuum cleaner may include only a part of the accessories described or shown in this instruction manual.

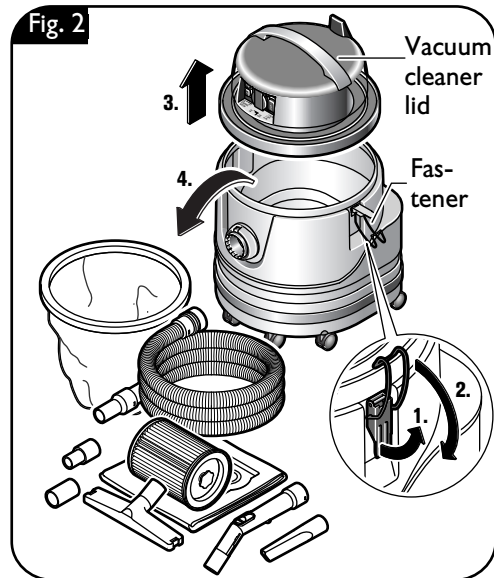


Type	Turbo I	Turbo II	Turbo III
Reference number	9 20 24	9 20 25	9 20 26
Power input	1000 W	1050 W	1200 W
Max. connected load of the integrated socket outlet	1800 W	1800 W	1800 W
Power supply type	1 ~	1 ~	1 ~
Container volume	24 l	35 l	55 l
Air flow	3200 l/min	3200 l/min	3500 l/min
Max. pressure difference	230 mbar	230 mbar	250 mbar
Weight according to EPTA-Procedure 01/2003	9.8 kg	10.5 kg	11.6 kg
Class of protection	I ⊕	I ⊕	I ⊕

## Removing accessories (Figure 2).

Upon delivery, all accessories are inside the vacuum cleaner.

- Open the fasteners on both sides and take off the vacuum cleaner lid.
- Remove the accessories from inside the vacuum cleaner (the figure aside is symbolic).



## Assembly instructions.

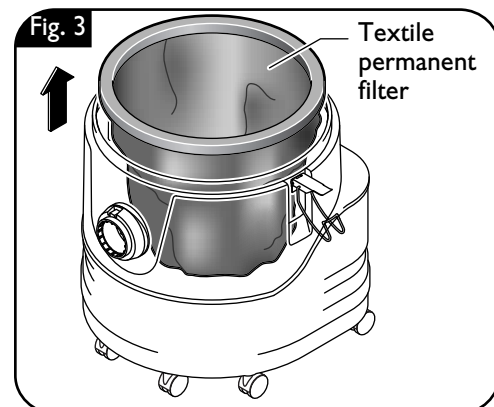
**⚠ WARNING** Before mounting or replacing accessories, pull the plug. This preventive safety measure rules out the danger of injuries through accidental starting of the vacuum cleaner.

**!** Use the textile permanent filter only for dry vacuuming.

## Emptying the vacuum cleaner (Figure 3).

- Open the fasteners on both sides and take off the vacuum cleaner lid.
- Remove the textile permanent filter upward and clean it, if heavily soiled or when the vacuuming performance decreases.
- Empty the contents of the vacuum cleaner base into a waste or trash can.

**⚠ WARNING** The 5 micron textile permanent filter is only suitable for non-hazardous dusts.



**Inserting a paper-dust bag (Figure 4).**

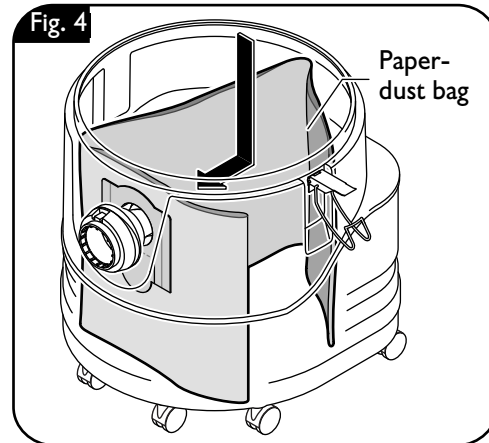
! Use the paper-dust bag in conjunction with the filter cartridge only for dry vacuuming.

When inserting a paper-dust bag, take care that the cardboard flange and the paper-dust bag face completely against the inside wall of the container.

- Open the fasteners on both sides and take off the vacuum cleaner lid.
- Grasp the new paper-dust bag by the cardboard flange, first at the bottom then at the top, and slide it over the cog.
- Mount the vacuum cleaner lid again and close the fasteners.

The paper-dust bag is removed in reverse order.

After removing the paper-dust bag, seal it with the closing cover in order to avoid debris.

**Changing the filter cartridge (Figure 5).**

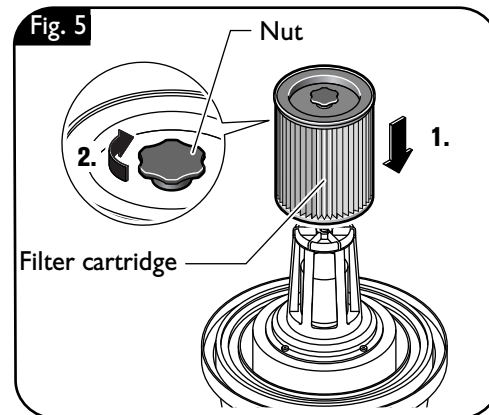
! Use the filter cartridge with or without additional paper-dust bag only for dry vacuuming!

Keep the filter cartridge dry and clean it regularly.

Replace the filter cartridge when the vacuum performance decreases.

- Open the fasteners on both sides and take off the vacuum cleaner lid.
- Screw the nut at the bottom side of the filter cartridge counterclockwise and remove the filter cartridge.
- Mount the new filter cartridge centered and screw the nut clockwise to the stop.

- Mount the vacuum cleaner lid again and close the fasteners.



## Mounting/dismounting the vacuum hose (Figure 6).

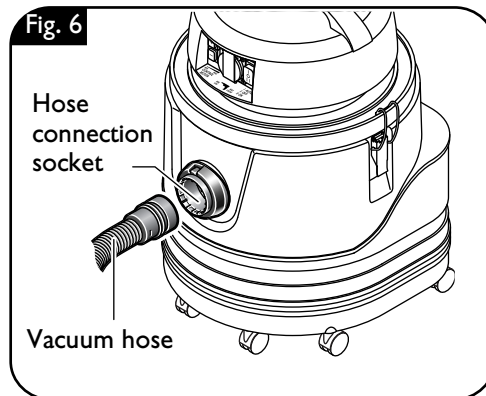
### Turbo I, Turbo II:

- Insert the vacuum hose to the stop in the hose connection socket until tightly seated.
- To remove the vacuum hose, press the release button and pull the vacuum hose out.

### Turbo III:

- Insert the vacuum hose into the hose connection socket until tightly seated.
- To remove the vacuum hose, hold hose close to the vacuum body and twist hose while pulling.

- Mount accessories applying only slight pressure. For disassembling, turn the parts somewhat against each other and pull apart.



## Working instructions.

- ⚠ WARNING** Before mounting or replacing accessories, pull the plug. This preventive safety measure rules out the danger of injuries through accidental starting of the vacuum cleaner.

The motor of the vacuum cleaner is equipped with a soft-start function.

The vacuum cleaner starts with the last set suction capacity.

## Switching on and off without a power tool connected (Figure 7).

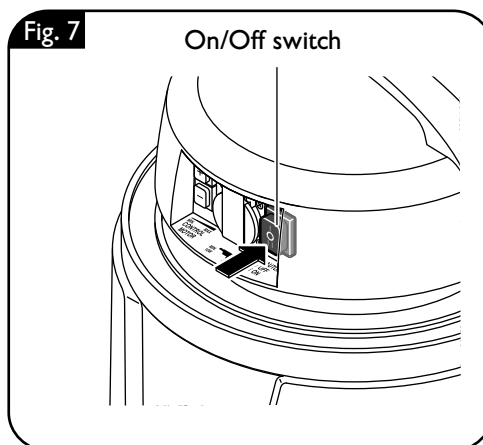
- ⚠ WARNING** First check that the power cord and power plug are not damaged.

### Switching ON:

- Set the On/Off switch to (II).

### Switching OFF:

- Set the On/Off switch to (0).



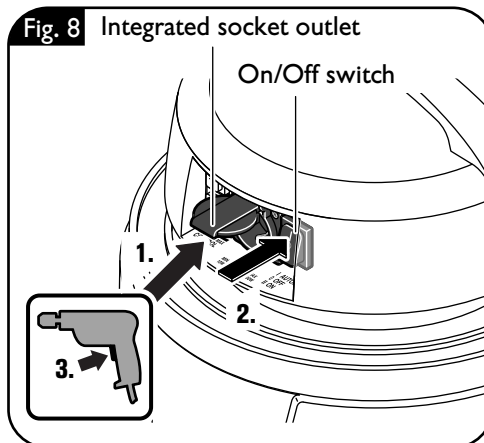


### Switching on and off with a power tool connected (Figure 8).

Switch the vacuum cleaner off before connecting a power tool to the integrated vacuum cleaner socket outlet. Make sure that the power tool is switched off when inserting its plug into the vacuum cleaner socket outlet. The vacuum cleaner is automatically switched on and off via the power tool connected to the integrated socket outlet.

- Plug the plug of the power tool into the integrated socket outlet.
- Set the On/Off switch to (I).
- Switch the power tool on/off – the vacuum cleaner automatically starts/stops.

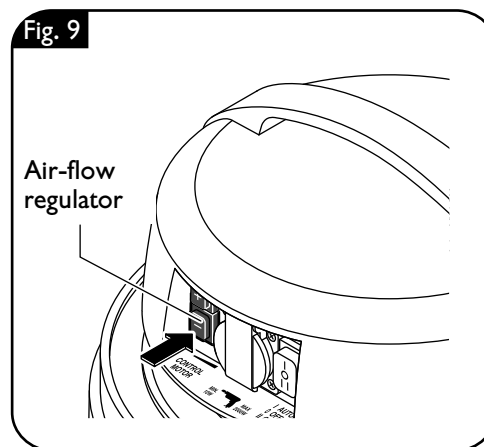
- After switching off a power tool connected to the vacuum cleaner socket outlet, the vacuum cleaner will run on for approx. 5 seconds and then automatically switch off.



### Regulating the air flow (Figure 9).

The air flow can be increased or decreased over 5 levels.

- To increase the air flow, press the air-volume regulator to (+).
- To decrease the air flow, press the air-volume regulator to (-).



### Vacuuming fluids.

⚠ Before vacuuming fluids, always remove the paper-dust bag or the textile permanent filter, and check the operation of the float.

When wet vacuuming, the air flow is interrupted by means of a float after reaching the maximum filling height. Switch off the vacuum cleaner immediately, pull the plug from the socket outlet and empty the container.

When foam or water comes out, switch off the vacuum cleaner immediately and empty the container.

#### Emptying the container on the Turbo I:

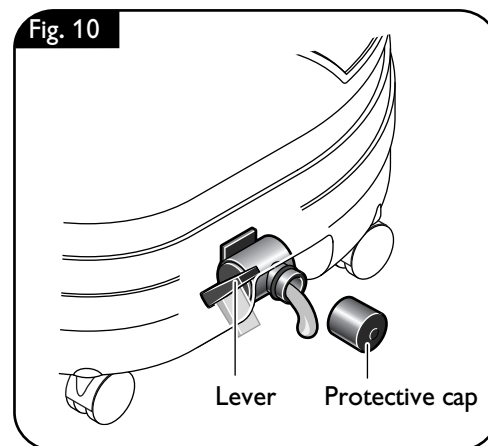
- Switch the vacuum cleaner off.
- Open the fasteners on both sides and take off the vacuum cleaner lid.
- Empty the container.

#### Emptying the container on the Turbo II and Turbo III (Figure 10):

- Switch the vacuum cleaner off.

Empty the container after vacuuming fluids. Afterwards, run the vacuum cleaner with the accessories connected for several minutes in order to dry them.

- Pull off the protective cap.
- Pull the lever toward the front to open the valve in order to drain the dirty water.
- After draining the dirty water, push the lever toward the rear again in order to shut the valve, and reattach the protective cap.



### Vacuuming dry materials.

For dry vacuuming, insert the filter cartridge in the vacuum cleaner.

For dry vacuuming, additionally use the paper or the textile dust bag.

Empty the container each time after using and remove coarse debris and dust.

## Trouble-shooting.

Malfunction Description	Possible Cause	Corrective Action
Vacuum cleaner cannot be switched on.	Circuit breaker has tripped.	Ensure power supply.
	Vacuum cleaner in remote control operation.	Set On/Off switch to "I".
Reduced vacuuming capacity.	Vacuum cleaner not fitted correctly.	Mount vacuum lid and shut both fasteners completely.
	Vacuum system clogged.	Clean vacuum hose and extension tubes.
	Paper-dust bag full.	Replace paper-dust bag.
	Filter cartridge or textile permanent filter soiled/dirty.	Clean or renew filter cartridge or textile permanent filter.
No suction capacity when wet vacuuming.	Container full.	Empty container.

## Maintenance.

**⚠ WARNING** Before mounting or replacing accessories, pull the plug. This preventive safety measure rules out the danger of injuries through accidental starting of the vacuum cleaner.

### Service

**⚠ WARNING** Have maintenance carried out only through qualified personnel. Incorrectly mounted conductors and components can cause serious injuries. Have the required service carried out only through a FEIN customer service agent.

**!** When replacing the power tool's cord is required, have this carried out by FEIN or by an authorized FEIN Service Agent, in order to avoid hazardous situations.

### Cleaning

**⚠ WARNING** Prior to any cleaning or maintenance, disconnect the vacuum cleaner from the power supply in order to avoid accidents.

**!** Do not use cleaning agents and solvents that can cause damage to plastic parts.

These include: Gasoline, carbon-tetrachloride, chloric solvents, ammonia and domestic cleaning agents that contain ammonia.

## Warranty and liability.

The warranty for the product is valid in accordance with the legal regulations in the country where it is marketed.

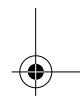
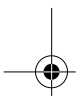
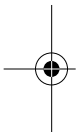
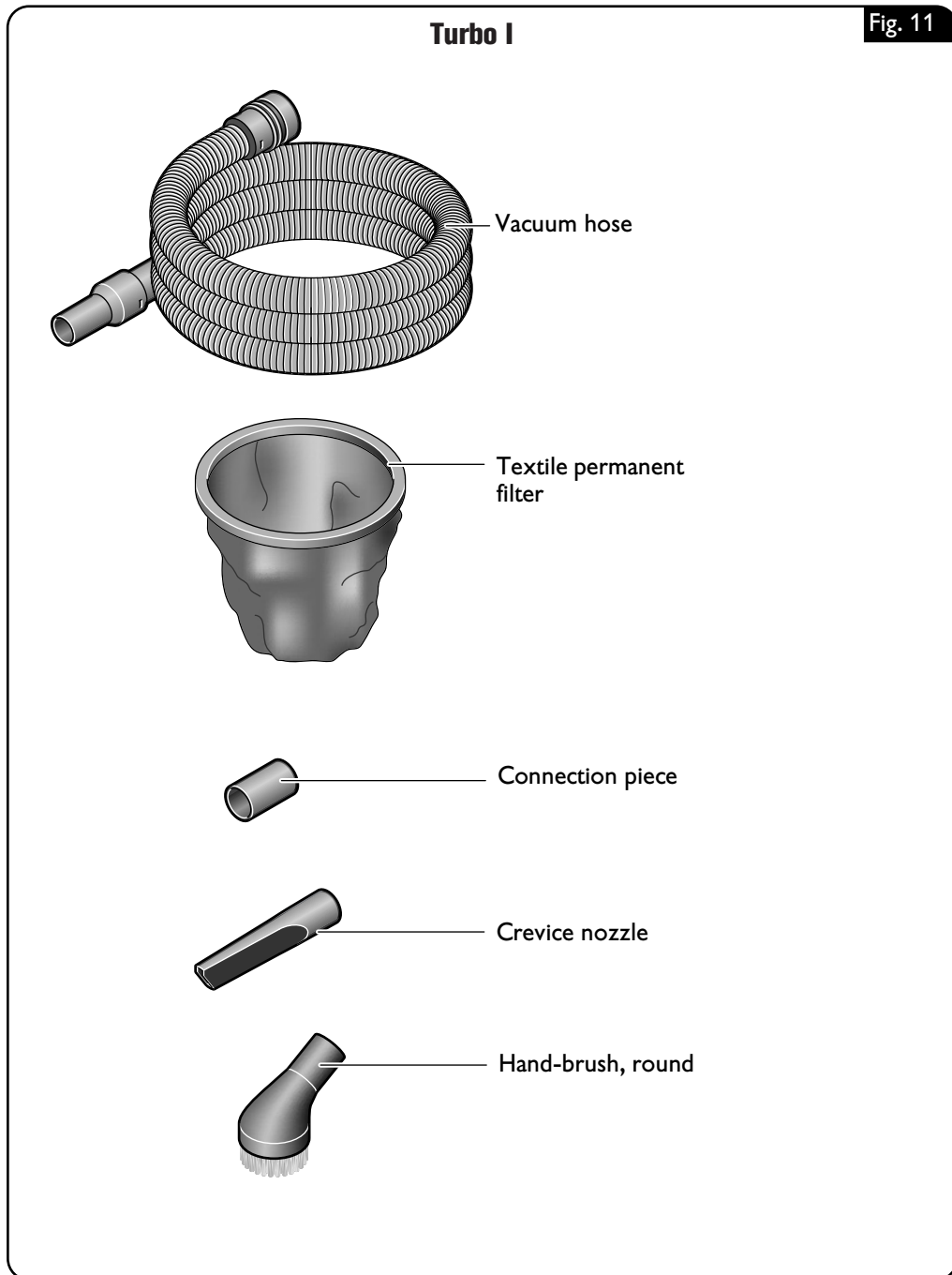
In addition, FEIN also provides a guarantee in accordance with the FEIN manufacturer's guarantee. For further details on this, please contact your specialist dealer, your national FEIN representative, or the FEIN customer service center.

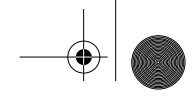
## Environmental protection, disposal.

Packaging, worn out vacuum cleaners and accessories should be sorted for environment-friendly recycling.



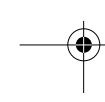
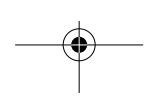
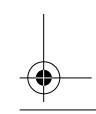
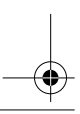
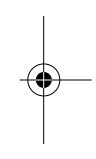
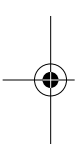
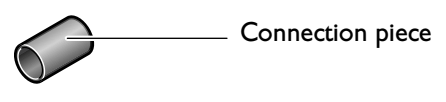
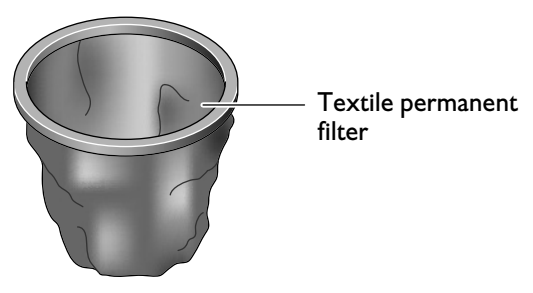
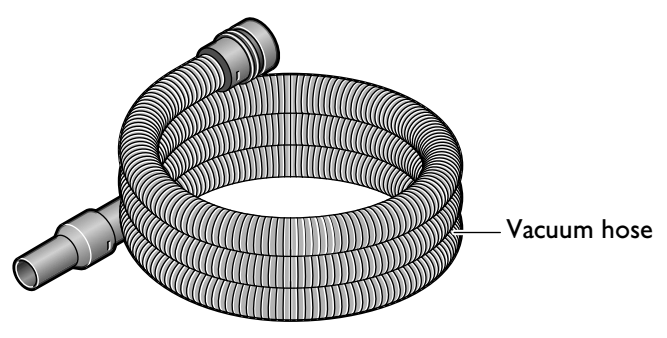
## Provided accessories.





### Turbo II

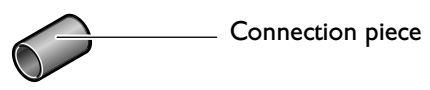
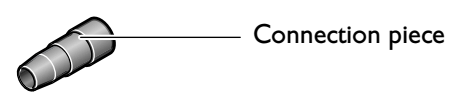
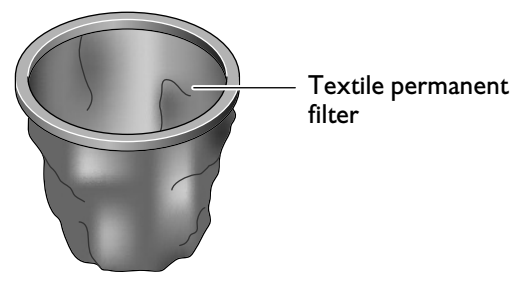
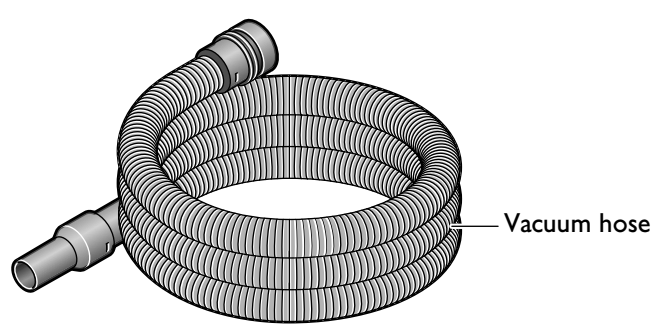
Fig. 12





### Turbo III

Fig. 13



## Free Manuals Download Website

<http://myh66.com>

<http://usermanuals.us>

<http://www.somanuals.com>

<http://www.4manuals.cc>

<http://www.manual-lib.com>

<http://www.404manual.com>

<http://www.luxmanual.com>

<http://aubethermostatmanual.com>

Golf course search by state

<http://golfingnear.com>

Email search by domain

<http://emailbydomain.com>

Auto manuals search

<http://auto.somanuals.com>

TV manuals search

<http://tv.somanuals.com>