

AStlxe 638



Special Cutter



SERVICE

Tool service and maintenance must be performed only by qualified repair personnel.

When servicing a tool, only use identical replacement parts available from FEIN.

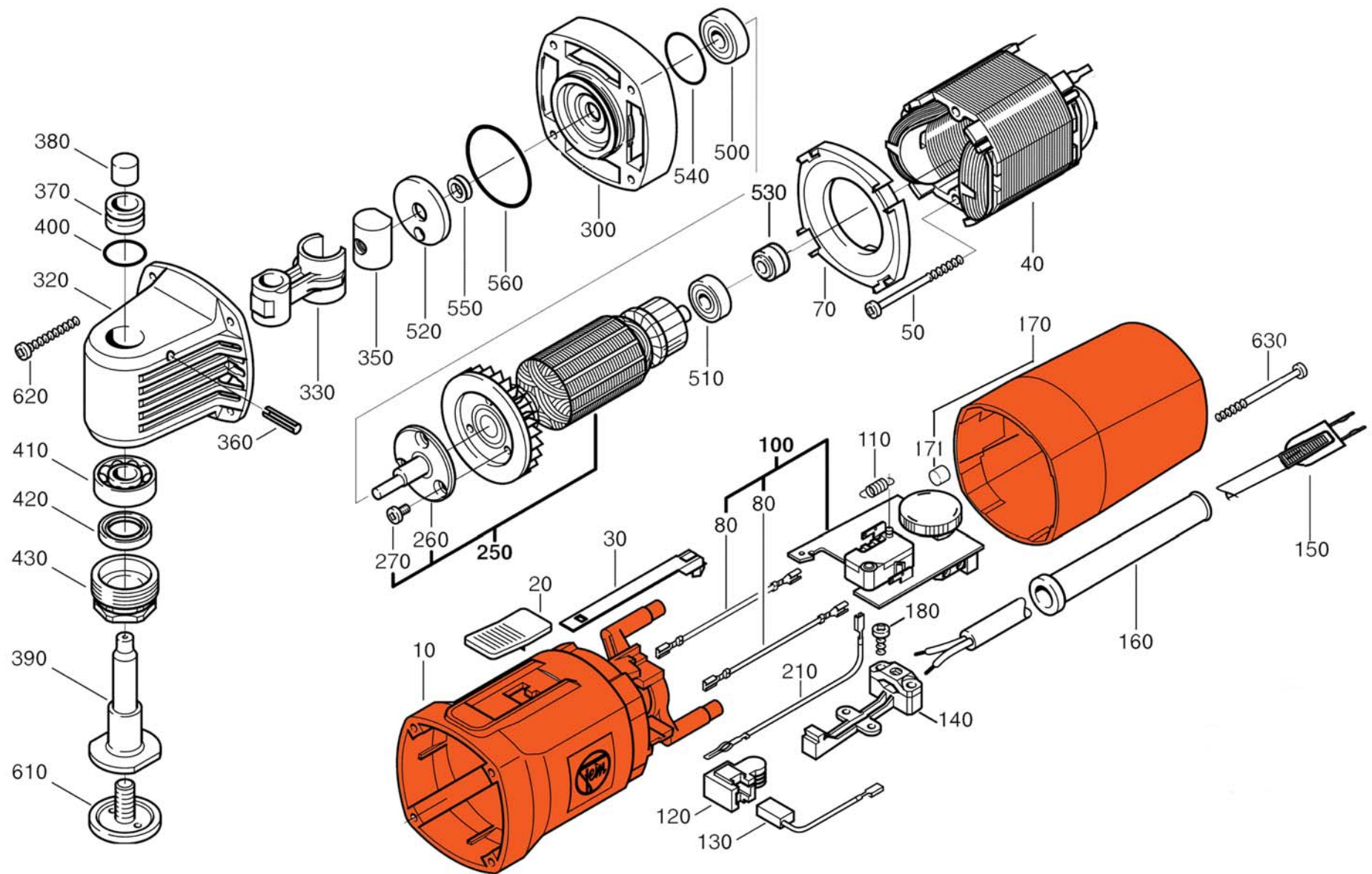
Repairs on FEIN Power Tools required the use of special tools (pulling devices and bearing press). Authorized repair centers have trained repair technicians and equipment necessary to perform these repairs. Service or repairs performed by unqualified persons could result in operator injury.

For the location of the repair center near you, please call 1-800-441-9878. Monday thru Friday, 9AM to 5PM EST. Or, look on our web site at www.feinus.com and follow the link to "Authorized Warranty Repair Centers"

**FEIN Power Tools
1030 Alcon Street
Pittsburgh, PA 15220**

Phone: 412-922-8886 Fax: 412-922-8767 Toll Free: 1-800-441-9878

November 24, 2003



 **FEIN Special Cutter**
Model: AStlxe 638

Fein Power Tools

Astlxe 638 Special Cutter - Parts List

<u>Item</u>	<u>Item Number</u>	<u>Description</u>	<u>Reqd</u>	
10	3-19-01-093-00-0	MOTOR HOUSING	1	_____
20	3-28-05-128-00-3	TRIGGER	1	_____
30	3-28-16-049-00-0	SWITCH LEVER	1	_____
40	5-1-268-001-11-2	FIELD COIL	1	_____
50	4-30-70-004-00-1	SCREW	1	_____
70	3-14-28-075-00-7	AIR CONDUCTING RING	2	_____
80	3-07-19-448-01-7	CONNECTION CABLE	2	_____
100	3-07-62-242-02-9	SPEED CONTROL	1	_____
110	3-09-02-040-00-4	SPRING	1	_____
120	3-07-12-095-01-7	BRUSH HOLDER	2	_____
130	3-07-11-140-00-0	CARBON BRUSH	2	_____
140	3-24-31-036-00-8	CABLE BRIDGE	1	_____
150	3-07-07-101-01-2	CABLE	1	_____
160	3-14-13-007-00-7	STRAIN RELEASE	1	_____
170	3-12-01-072-01-4	COVER	1	_____
171	3-14-15-065-00-2	CUSHION	1	_____
180	4-30-70-001-00-6	SCREW	2	_____
210	3-07-19-340-02-4	CONNECTION CABLE	2	_____
250-270	5-3-268-001-11-4	ARMATURE	1	_____
260	3-34-05-031-00-9	PINION	1	_____
270	4-30-64-001-99-3	SCREW	3	_____
300	3-15-06-309-00-3	INTERMEDIATE PLATE	1	_____
320	3-15-08-227-00-1	GEARHOUSING	1	_____
330	3-32-18-057-00-7	LEVER	1	_____
340	4-17-06-033-00-3	NEEDLE BEARING	1	_____
350	3-23-13-045-01-2	PISTON	1	_____
360	4-02-38-017-00-4	CLAMPING SLEEVE	1	_____
370	3-05-07-180-00-8	BUSHING	1	_____
380	4-17-05-022-00-5	NEEDLE BEARING	1	_____
390	3-34-06-247-00-4	OUTPUT SHAFT	1	_____
400	4-06-12-129-00-1	O RING	1	_____
410	4-17-01-007-03-8	BALL BEARING	1	_____
420	4-06-08-054-00-9	SEAL	1	_____
430	3-05-09-041-00-0	THREADED SLEEVE	1	_____
500	4-17-01-004-24-6	BALL BEARING	1	_____
510	4-17-01-001-17-2	BALL BEARING	1	_____
520	3-26-03-035-00-2	BALANCING RING	1	_____
530	3-14-28-076-01-9	MAGNET RING	1	_____
540	4-06-12-089-00-6	O RING	1	_____
550	4-06-08-059-00-2	SEAL	1	_____
560	4-06-12-088-00-2	O RING	1	_____
610	3-30-24-062-00-4	CLAMPING BOLT	1	_____
620	4-30-70-007-00-2	SCREW	4	_____
630	4-30-70-004-00-1	SCREW	2	_____

Free Manuals Download Website

<http://myh66.com>

<http://usermanuals.us>

<http://www.somanuals.com>

<http://www.4manuals.cc>

<http://www.manual-lib.com>

<http://www.404manual.com>

<http://www.luxmanual.com>

<http://aubethermostatmanual.com>

Golf course search by state

<http://golfingnear.com>

Email search by domain

<http://emailbydomain.com>

Auto manuals search

<http://auto.somanuals.com>

TV manuals search

<http://tv.somanuals.com>