

FSC 1.6



Special Cutter



SERVICE

Tool service and maintenance must be performed only by qualified repair personnel.

When servicing a tool, only use identical replacement parts available from FEIN.

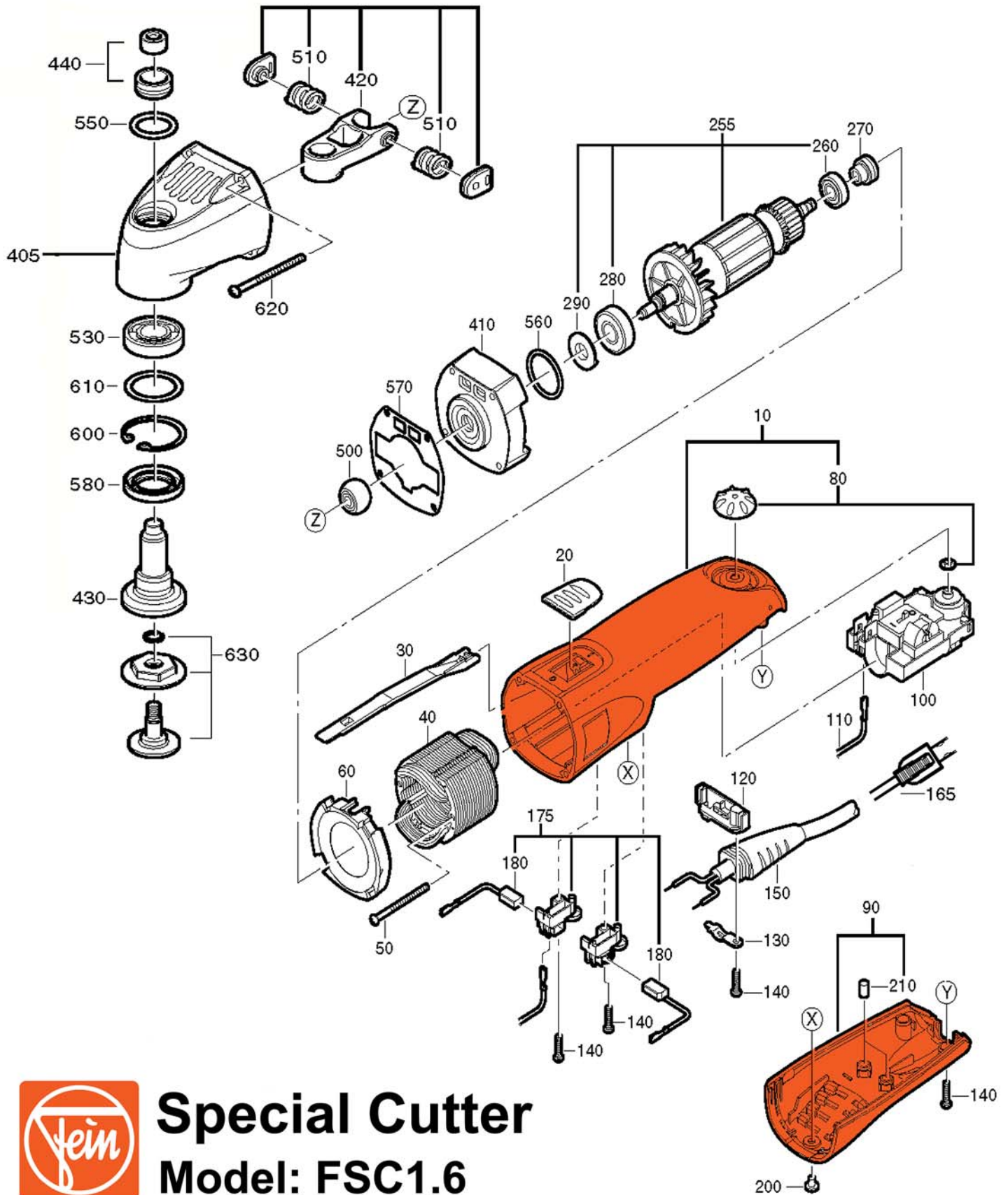
Repairs on FEIN Power Tools required the use of special tools (pulling devices and bearing press). Authorized repair centers have trained repair technicians and equipment necessary to perform these repairs. Service or repairs performed by unqualified persons could result in operator injury.

For the location of the repair center near you, please call 1-800-441-9878. Monday thru Friday, 9AM to 5PM EST. Or, look on our web site at www.feinus.com and follow the link to "Authorized Warranty Repair Centers"

**FEIN Power Tools
1030 Alcon Street
Pittsburgh, PA 15220**

Phone: 412-922-8886 Fax: 412-922-8767 Toll Free: 1-800-441-9878

March 1, 2005



Special Cutter

Model: FSC1.6

Fein Power Tools

FSC 1.6 Parts List

<u>Item</u>	<u>Item Number</u>	<u>Description</u>	<u>Reqd.</u>	
10	3-19-01-139-01-5	MOTOR HOUSING - FSC	1	_____
20	3-28-05-195-00-1	SWITCH SLIDE - FSC	1	_____
30	3-28-16-060-00-1	SWITCH ROD - FSC	1	_____
40	5-1-274-006-11-4	FIELD COIL - FSC - 110V	1	_____
50	4-30-70-014-00-0	SCREW	2	_____
60	3-14-28-151-00-9	AIR CONDUCTING RING - FSC	1	_____
80	3-28-05-194-01-6	SPEED BUTTON SET - FSC	1	_____
90	3-24-27-120-01-1	COVER REPAIR SET - FSC	1	_____
100	3-07-62-266-99-1	ELECTRONIC - FSC - 110V	1	_____
110	3-07-19-619-01-3	CONNECTION CABLE - FSC	1	_____
120	3-24-31-044-00-0	CABLE CLAMP - FSC	1	_____
130	3-24-31-043-00-2	CLAMP BRIDGE - FSC	1	_____
140	4-30-70-038-00-7	SCREW - FSC	5	_____
150	3-14-13-225-00-3	PROTECTIVE SLEEVE - FSC	1	_____
165	3-07-07-101-01-2	CABLE-16GA 10FT W/MOLDED PLUG	1	_____
175	3-07-12-091-02-4	BRUSH HOLDER SET - FSC	1	_____
180	3-07-11-146-00-1	CARBON BRUSH - FSC	2	_____
200	4-30-41-040-04-8	SCREW	1	_____
210	3-14-15-095-00-9	PLUG	2	_____
255	5-3-274-010-11-4	ARMATURE - FSC 1.6 - 110V	1	_____
260	4-17-01-001-03-2	BEARING	1	_____
270	3-14-28-152-00-2	MAGNET - FSC	1	_____
280	4-17-01-007-03-8	BALL BEARING	1	_____
290	3-26-03-036-00-5	BALANCING RING - FSC	1	_____
405	3-15-08-253-01-8	GEAR HOUSING - FSC	1	_____
410	3-15-06-369-01-6	INTERMEDIATE HOUSING	1	_____
420	3-32-18-119-00-2	LEVER - FSC	1	_____
430	3-34-06-296-00-5	DRIVE SHAFT - FSC	1	_____
440	3-05-07-234-01-0	BUSHING - FSC	1	_____
500	4-17-06-041-00-5	NEEDLE BEARING - FSC	1	_____
510	3-09-01-359-00-7	SPRING - FSC	2	_____
530	4-17-01-010-05-4	BALL BEARING	1	_____
550	4-06-12-024-00-9	SEALING RING - FSC	1	_____
560	4-06-12-093-00-4	O-RING	1	_____
570	3-06-10-035-00-2	SEAL - FSC	1	_____
580	4-06-08-072-00-5	SEALING RING - FSC	1	_____
600	4-26-16-027-00-9	SECURING RING	1	_____
610	4-24-46-016-00-3	WASHER - FSC	1	_____
620	4-30-74-001-00-0	SCREW - FSC	4	_____
630	3-30-01-039-01-7	NUT ASSY - FSC 1.6	1	_____

Free Manuals Download Website

<http://myh66.com>

<http://usermanuals.us>

<http://www.somanuals.com>

<http://www.4manuals.cc>

<http://www.manual-lib.com>

<http://www.404manual.com>

<http://www.luxmanual.com>

<http://aubethermostatmanual.com>

Golf course search by state

<http://golfingnear.com>

Email search by domain

<http://emailbydomain.com>

Auto manuals search

<http://auto.somanuals.com>

TV manuals search

<http://tv.somanuals.com>