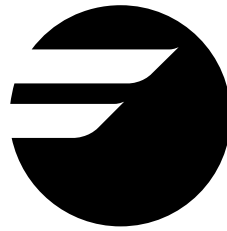
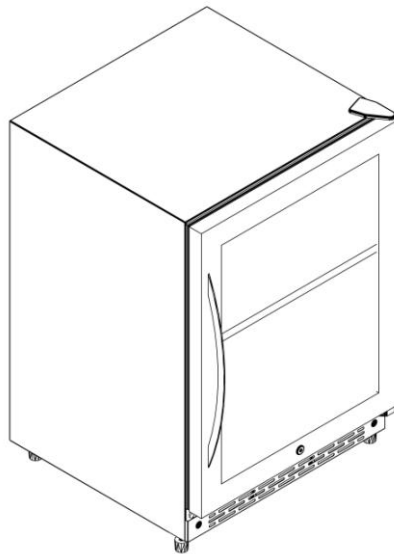


FAGOR



**INSTRUCTION MANUAL
MANUEL D'INSTRUCTION
MANUAL DE INSTRUCCIONES**

FSV-144US



BEFORE USE, PLEASE READ AND FOLLOW ALL SAFETY RULES AND OPERATING INSTRUCTIONS.

AVANT D'UTILISER L'APPAREIL, VEUILLEZ LIRE ATTENTIVEMENT LES RÈGLES DE SÉCURITÉ ET LES INSTRUCTIONS.

LEA Y SIGA TODAS LAS INSTRUCCIONES Y ADVERTENCIAS DE SEGURIDAD DE ESTE MANUAL ANTES DE UTILIZAR EL APARATO.

FAGOR has a policy of continuous improvement on its products and reserves the right to change materials and specifications without notice.

FAGOR a une politique d'amélioration continue de ses produits et se réserve le droit de changer les matériaux et les spécifications sans préavis.

FAGOR sigue una política de mejora continua en sus productos y se reserva el derecho a hacer cambios en los materiales y especificaciones del mismo sin previo aviso.

TABLE OF CONTENTS

IMPORTANT SAFETY INSTRUCTIONS	3
WINE COOLER SAFETY	3
IMPORTANT SAFEGUARDS	4
PARTS AND FEATURES	5
INSTALLATION INSTRUCTIONS	6
Before using your wine cooler	6
Installation of your wine cooler	6
Built-in cabinet instructions	6
Electrical connection	7
Extension cord	7
Surge protector	7
OPERATING YOUR WINE COOLER	8
Recommended temperature settings	8
ON/OFF power	8
Control panel lock	8
Setting the temperature control	8
Interior Light	8
Storage	9
Shelves	9
Charcoal filtration system	9
CARE AND MAINTENANCE	10
Defrost	10
Cleaning your wine cooler	10
Power failure	10
Moving your wine cooler	10
Energy saving tips	10
TROUBLESHOOTING GUIDE	11
WIRING DIAGRAM	12

IMPORTANT SAFETY INSTRUCTIONS

⚡ WARNING ⚡	To reduce the risk of fire, electrical shock, or injury when using your appliance, follow these basic precautions:
<ul style="list-style-type: none">• Read all instructions before using the wine cooler.• DANGER or WARNING: To avoid the possibility of child entrapment, please take the following precautions before throwing out the appliance.<ul style="list-style-type: none">- Remove all doors from the unit.- Leave the shelves in place so that children may not easily climb inside.• Never allow children to operate, play with, or crawl inside the appliance.• Never clean appliance parts with flammable fluids. The fumes can create a fire hazard or explosion.• Do not store or use gasoline or any other flammable vapors and liquids in the vicinity of this or any other appliance. The fumes can create a fire hazard or explosion. <p style="text-align: center;">-Save these instructions-</p>	

WINE COOLER SAFETY

Your safety and the safety of others are very important.

We have provided many important safety messages in this manual and on your appliance. Always read and obey all safety messages.



This is the Safety Alert Symbol. This symbol alerts you to potential hazards that can kill or injure you and others. All safety messages will follow the Safety Alert Symbol and either the words "DANGER", "WARNING" or "CAUTION".



Danger means that failure to heed this safety statement may result in severe personal injury or death.



Warning means that failure to heed this safety statement may result in extensive product damage, serious personal injury, or death.



Caution means that failure to heed this safety statement may result in minor or moderate personal injury, or property or equipment damage.

All safety messages will alert you do what the potential hazard is, tell you how to reduce the chance of injury, and let you know what can happen if the instructions are not followed.

IMPORTANT SAFEGUARDS



Before the appliance is used, it must be properly positioned and installed as described in this manual, so read the manual carefully. To reduce the risk of fire, electrical shock or injury when using the appliance, follow basic precaution, including the following:

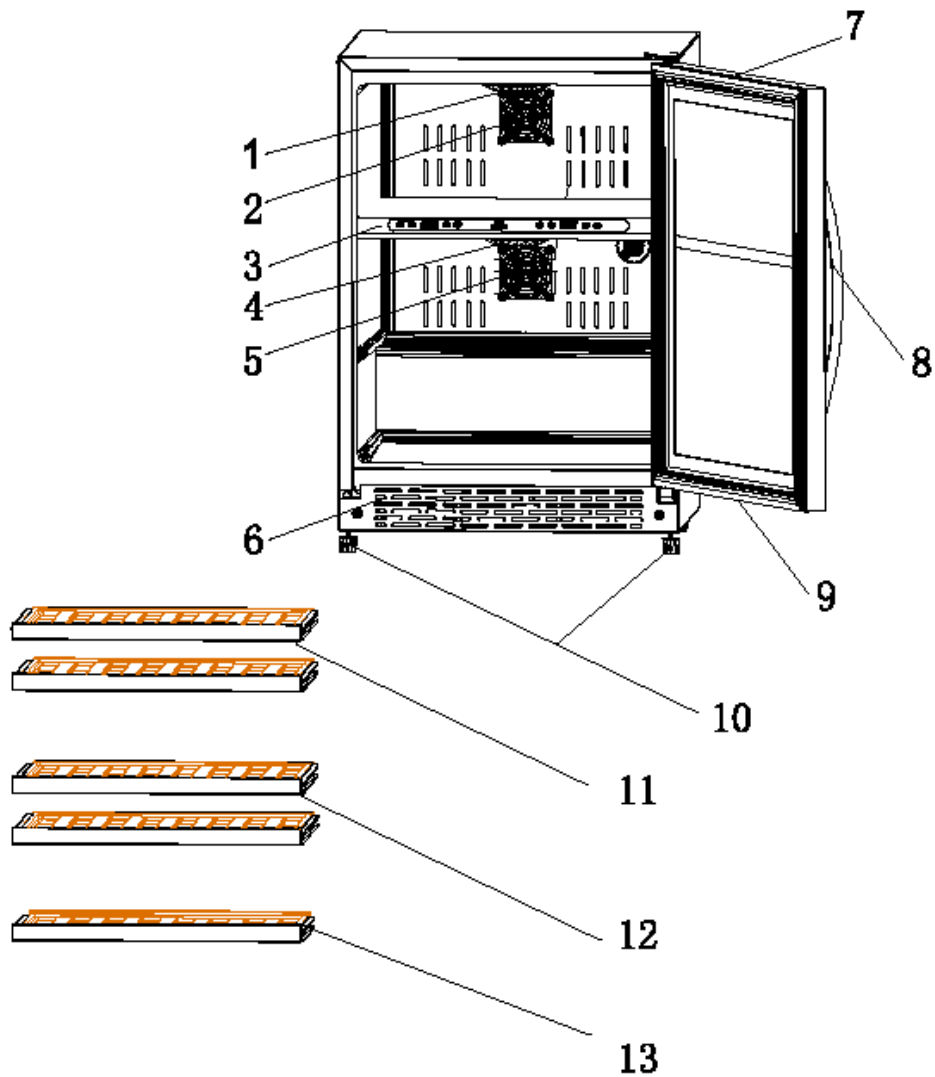
! DANGER !

- Plug into a grounded 3-prong outlet, do not remove grounding prong, do not use an adapter, and do not use an extension cord.
- Replace all panels before operating.
- It is recommended that a separate circuit, serving only your appliance be provided. Use receptacles that cannot be turned off by a switch or pull chain.
- Never clean appliance parts with flammable fluids. These fumes can create a fire hazard or explosion. And do not store or use gasoline or other flammable vapors and liquids in the vicinity of this or any other appliance. The fumes can create a fire hazard or explosion.
- Before proceeding with cleaning and maintenance operations, make sure the power line of the unit is disconnected.
- Do not connect or disconnect the electric plug when your hands are wet.
- Unplug the appliance or disconnect power before cleaning or servicing. Failure to do so can result in electrical shock or death.
- Do not attempt to repair or replace any part of your appliance unless it is specifically recommended in this material. All other servicing should be referred to a qualified technician.

! WARNING !

- Use two or more people to move and install appliance. Failure to do so can result in back or other injury.
- To ensure proper ventilation for your appliance, the front of the unit must be completely unobstructed. Choose a well-ventilated area with temperatures above 60°F (16°C) and below 90°F (32°C). This unit must be installed in an area protected from the element, such as wind, rain, water spray or drips.
- The appliance should not be located next to ovens, grills or other sources of high heat.
- The appliance must be installed with all electrical, water and drain connections in accordance with state and local codes. A standard electrical supply (115 V AC only, 60 Hz), properly grounded in accordance with the National Electrical Code and local codes and ordinances is required.
- Do not kink or pinch the power supply cord of appliance.
- The fuse (or circuit breaker) size should be 15 amperes.
- It is important for the appliance to be leveled in order to work properly. You may need to make several adjustments to level it.
- Never allow children to operate, play with or crawl inside the appliance.
- Do not use solvent-based cleaning agents or abrasives on the interior. These cleaners may damage or discolor the interior.
- Do not use this apparatus for other than its intended purpose.

PARTS & FEATURES



1. Interior light – Upper Zone
2. Interior fan – Upper Zone
3. Temperature Control Panel
4. Interior light – Lower Zone
5. Interior fan – Lower Zone
6. Front grille
7. Glass door with stainless steel Frame
8. Stainless steel handle
9. Security lock (some models)
10. Leveling legs
11. Large shelves – Upper Zone (2)
12. Large shelves – Lower Zone (2)
13. Small shelf – Lower Zone (1)

INSTALLATION INSTRUCTIONS

BEFORE USING YOUR WINE COOLER

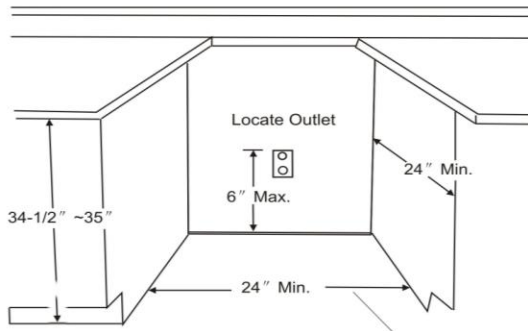
- Remove the exterior and interior packing.
- Before connecting this appliance to the power source, let it stand upright for approximately 2 hours. This will reduce the possibility of a malfunction in the cooling system from handling during transportation.
- Clean the interior surface with lukewarm water using a soft cloth.

INSTALLATION OF YOUR WINE COOLER

- This appliance is designed to be for free standing installation or built-in (fully recessed).
- Place your Wine Cooler on a floor that is strong enough to support it when it is fully loaded. To level your Wine Cooler, adjust the front leveling legs at the bottom of the Wine Cooler.
- Locate the Wine Cooler away from direct sunlight and sources of heat (stove, heater, radiator, etc.). Direct sunlight may affect the acrylic coating and heat sources may increase electrical consumption. Extreme cold ambient temperatures may also cause the unit not to perform properly. Because of these factors this unit is not designed for use in a garage or any other outside installation.
- Avoid locating the unit in moist areas.
- Plug the Wine Cooler into an exclusive, properly installed-grounded wall outlet. Do not under any circumstances cut or remove the third (ground) prong from the power cord. Any questions concerning power and/or grounding should be directed toward a certified electrician or an authorized service center. This unit is not designed to be installed in a motor home or used with an inverter.
- After plugging the appliance into an outlet, the unit should be allowed to cool for 3 ~ 4 hours before placing bottles in the appliance to ensure it reaches an appropriate, stable temperature.

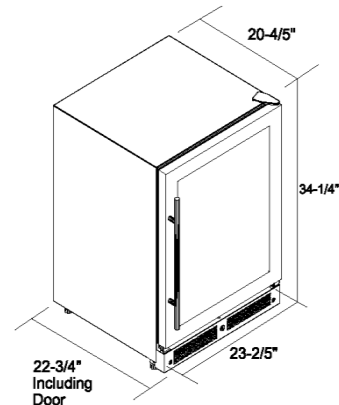
BUILT – IN CABINET INSTRUCTIONS

This unit is designed for both built-in or free standing installation. If you plan to use this unit in a built-in application please follow the requirements shown below.



← Figure shown		
Cabinet Opening Dimensions		
	IN (min)	MM (min)
Width	24"	610 mm
Depth	24"	610 mm
Height	35"	889 mm

Figure shown →		
Unit Dimensions		
	IN (min)	MM (min)
Width	23 2/5"	589 mm
Depth (without handle)	20 4/5"	528 mm
Depth (with Handle)	22 3/4"	578 mm
Height	34 1/4"	870 mm



The cutout dimension illustrated allows for a normal door opening clearance and access to the racks when installed as a built-in appliance. If installing between frameless cabinets, a ½" wide filler strip or side panel may be needed on the side with the hinge. This strip will act as a spacer between the appliance case and adjacent cabinet door. The width of the opening must include the filter panels. Note: The door should protrude at least 1" beyond the surrounding cabinets. The clearance is: 2".

ELECTRICAL CONNECTION

⚡ Warning ⚡

Improper use of the grounded plug can result in the risk of electrical shock. If the power cord is damaged, have it replaced by an authorized service agent.

This appliance should be properly grounded for your safety. The power cord of this appliance is equipped with a three-prong plug which mates with standard three prong wall outlets to minimize the possibility of electrical shock.

Do not under any circumstances cut or remove the third ground prong from the power cord supplied. For personal safety, this appliance must be properly grounded.

This appliance requires a standard 115/120 Volt AC ~/60Hz electrical ground outlet with three-prong. Have the wall outlet and circuit checked by a qualified electrician to make sure the outlet is properly grounded. When a standard 2-prong wall outlet is encountered, it is your responsibility and obligation to have it replaced with a properly grounded 3-prong wall outlet.

The cord should be secured behind the appliance and not left exposed or dangling to prevent accidental injury.

The appliance should always be plugged into its own individual electrical outlet which has a voltage rating that matches the rating label on the appliance. This provides the best performance and also prevent overloading house wiring circuits that could cause a fire hazard from overheated. Never unplug the appliance by pulling the power cord. Always grip the plug firmly and pull straight out from the receptacle. Repair or replace immediately all power cords that have become frayed or otherwise damaged. Do not use a cord that shows cracks or abrasion damage along its length or at either end. When moving the appliance, be careful not to damage the power cord.

EXTENSION CORD

Because of potential safety hazards under certain conditions, it is strongly recommended that you do not use an extension cord with this appliance. However, if you must use an extension cord it is absolutely necessary that it be a UL/CUL-Listed, 3-wire grounding type appliance extension cord having a grounding type plug and outlet and that the electrical rating of the cord be 115 volts and at least 10 amperes.

SURGE PROTECTOR

Like the majority of electronics, you could need a surge protector (power bar). When there are variations in electricity, the wine cooler shuts off in order to protect itself. To avoid damaging the electronics components, you can connect a surge protector (power bar).

OPERATING YOUR WINE COOLER


It is recommended you install the wine cooler in a place where the ambient temperature is between 19°C-24°C (66°F-75°F). If the ambient temperature is above or below recommended temperatures, the performance of the unit may be affected. For example, placing your unit in extreme cold or hot conditions may cause interior temperatures to fluctuate. The range of 4°C-20°C (39°F-68°F) may not be reached.

RECOMMENDED TEMPERATURE SETTINGS

Red Wine: 15°C-- 18°C / 58°F -- 65°F
White Wine: 9°C -- 14°C / 48°F -- 57°F
Rose Wine: 10°C -- 11°C / 49°F -- 51°F
Sparkling Wine: 5°C-- 8°C / 40°F -- 47°F




ON/OFF POWER


To turn ON/OFF the appliance, push and hold the  button for 3 seconds.





CONTROL PANEL LOCK

Your wine cooler is equipped with an automatic control panel lock function. This function will prevent any unwanted changes to your temperature or power settings. The lock function will activate automatically 12 seconds after the last time a button is pushed on the control panel.

To unlock the control panel lock, press and hold both the  buttons for 3 seconds, the control panel will beep and blink once indicating that the control panel is active and the settings can be changed. You must unlock the control panel every time you want to set the temperature, change the display setting (°F - °C) turn on or off the light and to power off the cooler.

SETTING THE TEMPERATURE CONTROL



You can select temperature display setting from Fahrenheit to Celsius degree by touching the  button. Fahrenheit or Celsius degrees indicator will appear in the temperature display window.

If you desire to change the temperature, set the temperature as you desire by touching the  or  button. The temperature that you desire to set will increase 1°F or 1°C if you touch the  button once; on the contrary the temperature will decrease 1°F or 1°C if you touch the  button once.

NOTE: If the unit is unplugged, if the power is lost, or turned off, you must wait 3 to 5 minutes before restarting the unit. If you attempt to restart before this time delay, the wine cooler will not start.

When you use the wine cooler for the first time or restart the wine cooler after having been shut off for a long time, there could be a few degrees variance between the temperature you select and the one indicated on the LED readout. This is normal and it is due to the length of the activation time. Once the wine cooler is running for a few hours everything will be back to normal.

INTERIOR LIGHT

To turn the interior light ON or OFF, unlock the control panel then press the  button. The light will be turned off automatically if it remains ON for 10 minutes. To turn it on again, unlock the panel then press the  button again and the light will turn back on.

STORAGE

Many bottles may differ in size and dimensions. As such the actual number of bottles you may be able to store may vary. You can place 44 standard bottles in this wine cooler. The upper zone can hold as many as 16 wine bottles (2 rows of 8 bottles) and the lower zone can hold as many as 28 wine bottles (2 rows x 8 bottles, plus 1 row x 12 bottles (6+6 stacked up)).

SHELVES

To prevent damaging the door gasket, make sure to have the door all the way opened (beyond 90 degrees) when pulling shelves out of the rail compartment. For easy access to the bottles, you must pull the shelves approximately 1/3 out of the rail compartment.

To remove the shelves out of the rail pull each shelf approximately 1/3 out. Use a long flat screwdriver to press down the right plastic notch as shown in Figure A and at the same time lift the left plastic notch as shown in Figure B. Then proceed to pull out the shelf slowly.

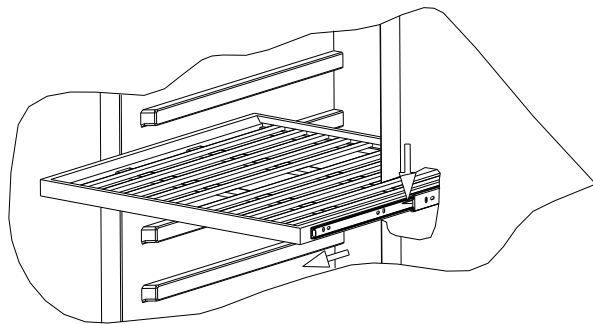


Figure A

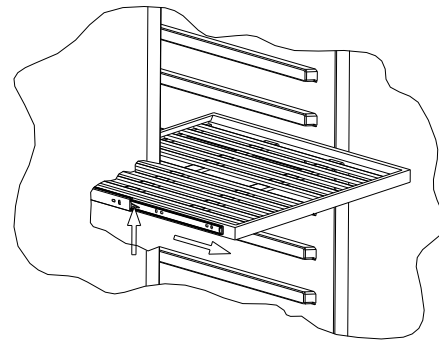


Figure B

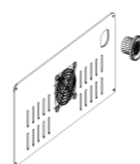
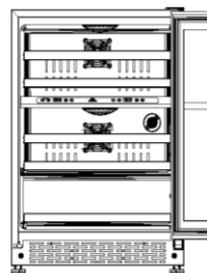
To replace a shelf place the sides of the shelves back onto the supporting guides of the cabinet and push back until the shelf tabs slide into place. NOTE: ENSURE THAT THE TABS ARE FIRMLY LOCKED IN PLACE BEFORE STORING ANY BOTTLES.

CHARCOAL FILTRATION SYSTEM

Your wine is a living object that breathes through the cork of its bottle. In order to preserve the quality and taste of your fine wines, they must be stored at the ideal temperature and ambient conditions.

Your cooler is equipped with an active charcoal filtration system to ensure air purity, cooling efficiency, and to maintain an odor free cabinet for the storage of your wines. The filter assembly is located at the rear panel inside your cooler. Keep in mind, that this filter must be changed every 12 months.

- Remove the bottles of wine stored on the two (2) shelves in front of the filter.
- Remove the shelves and set aside to be replaced once you have changed the filter.
- Hold the filter and turn it at 45 degrees in the counter-clockwise direction and then pull it out.
- Remove the existing filter and replace with a new one.
- Put the new filter into the hole and then turn the filter at 45 degrees in clockwise direction.



CARE AND MAINTENANCE

DEFROST

Any ice build-up on the inner back wall during compressor operation will be automatically defrosted in a compressor off cycle. When defrosting is in process, only the circulation fans for both zones run. Defrost water will drain into the drip pan (on the compressor), and the water will be evaporated by the compressor.

CLEANING YOUR WINE COOLER

- Turn off the power, unplug the appliance, and remove all items including shelves.
- Wash the inside surfaces with a warm water and baking soda solution. The solution should be about 2 tablespoons of baking soda to a quart of water.
- Wash the shelves with a mild detergent solution.
- Wring excess water out of the sponge or cloth when cleaning area of the controls, or any electrical parts.
- Wash the outside cabinet with warm water and mild liquid detergent. Rinse well and wipe dry with a clean soft cloth.
- Do not use steel wool or steel brush on the stainless steel. These will contaminate the stainless steel with steel particles and rusting may occur.

POWER FAILURE

Most power failures are corrected within a few hours and should not affect the temperature of your appliance if you minimize the number of times the door is opened. If the power is going to be off for a longer period of time, you need to take the proper steps to protect your contents.

MOVING YOUR WINE COOLER


- Remove all items (bottles).
- Securely tape down all loose items (shelves) inside your appliance.
- Turn the adjustable leg up to the base to avoid damage.
- Tape the door shut.
- Be sure the appliance stays secure in the upright position during transportation. Also protect outside of appliance with a blanket, or similar item.

ENERGY SAVING TIPS

The Wine Cooler should be located in the coolest area of the room, away from heat producing appliances, and out of the direct sunlight.

TROUBLESHOOTING GUIDE

You can solve many common Wine Cooler problems easily, saving you the cost of a possible service call. Try the suggestions below to see if you can solve the problem before calling the servicer.

PROBLEM	POSSIBLE CAUSE	SOLUTION
Cooler does not operate.	Not plugged in. The appliance is turned off. The circuit breaker tripped or a blown fuse.	Plug the unit in. Press  to turn on the unit. Check the breaker and/or fuses.
Cooler is not cold enough.	External environment may require a higher setting. The door is opened too often. The door is not closed completely. The door gasket does not seal properly.	Check the temperature control setting. Close the door properly. Check the door gasket.
The compressor turns on and off frequently.	The room temperature is hotter than normal. A large amount of contents has been added to the cooler. The door is opened too often. The door is not closed completely. The temperature control is not set correctly. The door gasket does not seal properly.	Close the door properly. Check the door gasket.
The light does not work.	Not plugged in. The circuit breaker tripped or a blown fuse. The light button is "OFF".	Plug in the unit. Check the breaker and/or fuses.
Vibrations.	The cooler is not levelled. The bottles are vibrating. There is an object under the cooler.	Check to assure that the cooler is level. Make sure the bottles don't touch each other. Remove the object.
The cooler seems to make too much noise.	The cooler is not level.	Level the cooler. The rattling noise may come from the flow of the refrigerant, which is normal. As each cycle ends, you may hear gurgling sounds caused by the flow of refrigerant in your cooler. Contraction and expansion of the inside walls may cause popping and crackling noises.
The door will not close properly.	The cooler is not level. The door was reversed and not properly installed. The gasket is dirty. The shelves are out of position.	Level the cooler. Close the door properly. Clean the door gasket. Place the shelves properly.
Error Code: E0-E1-E2 HH-LL	Error codes.	Contact us for a service call.

WIRING DIAGRAM

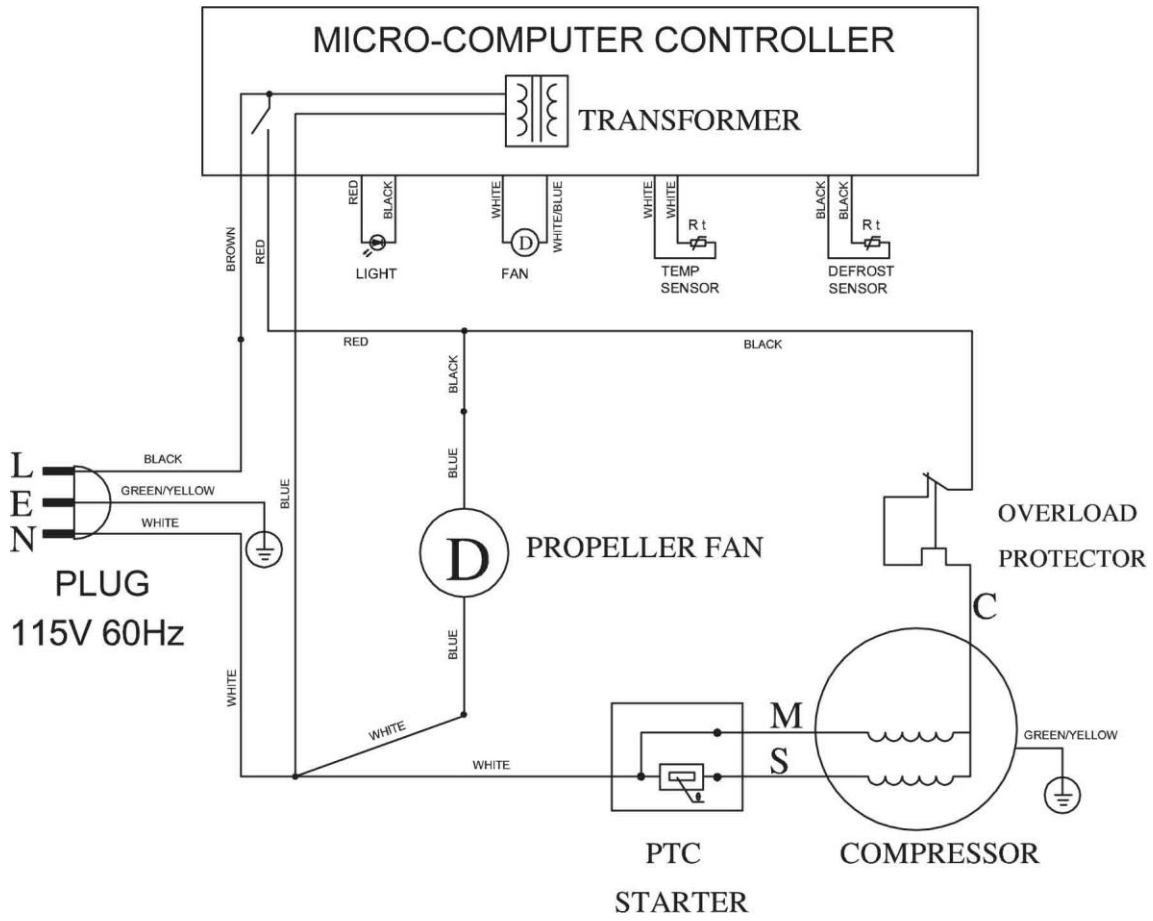


TABLE DES MATIÈRES

CONSIGNES DE SÉCURITÉ IMPORTANTS	14
SÉCURITÉ RELATIVE À L'APPAREIL	14
CONSEILS DE SÉCURITÉ IMPORTANTS	15
PIÈCES ET CARACTÉRISTIQUES	16
PRÉPARATION ET INSTALLATION DU CELLIER	17
Préparation du cellier	17
Installation du cellier	17
Encastrement	17
Branchement au réseau électrique	18
Rallonge	18
Parasurtenseur (Powerbar)	18
FONCTIONNEMENT DE L'APPAREIL	19
Recommandations relatives à la température	19
Interrupteur Marche/Arrêt	19
Déverrouillage du tableau de commande	19
Réglage de la température	19
Éclairage intérieur	20
Capacité d'entreposage	20
Tablettes	20
Système de filtre au charbon	20
ENTRETIEN DE L'APPAREIL	21
Décongélation	21
Nettoyage de l'appareil	21
Panne de courant	21
Déplacement de l'appareil	21
Conseils éconergétiques	21
GUIDE DE DÉPANNAGE	22
SCHÉMA DE CÂBLAGE	23

CONSIGNES DE SÉCURITÉ IMPORTANTES

⚡ AVERTISSEMENT ⚡	Pour diminuer les risques d'incendie, d'électrocution ou d'accident pendant l'utilisation de votre appareil, veuillez suivre les mesures de sécurité suivantes:
<ul style="list-style-type: none">• Veuillez lire toutes les instructions avant d'utiliser l'appareil.• DANGER ou AVERTISSEMENT: Les risques d'enfermement ou de suffocation pour les enfants demeurent une réalité. Les appareils abandonnés ou jetés demeurent un danger, même s'ils ne sont placés dans le garage que pour quelques jours.• Avant de jeter votre ancien appareil, enlevez les portes et laissez les tablettes à leur place afin que les enfants ne puissent pas se glisser facilement à l'intérieur.• Ne laissez pas d'enfants jouer avec l'appareil.• Ne nettoyez jamais les pièces de l'appareil avec des liquides inflammables. Les vapeurs provoquées par ces liquides risquent de déclencher un incendie ou une explosion dangereuse.• Ne placez pas l'appareil près d'essence ou de tout autre produit liquide ou gazeux inflammable. La fumée que ces produits dégagent pourrait déclencher un incendie ou une explosion dangereuse. <p style="text-align: center;">- Conservez ces instructions -</p>	

SÉCURITÉ RELATIVE À L'APPAREIL

Votre sécurité et celle des autres nous importent au plus haut point.

Ce manuel ainsi que votre appareil contiennent des symboles de sécurité dont vous devez tenir compte et que vous devez respecter en tout temps.



Voici le symbole de sécurité. Ce symbole vous prévient des dangers potentiels susceptibles de vous tuer ou de vous blesser ainsi que votre entourage. Tous les signaux de sécurité seront précédés de ce symbole ainsi que des termes « DANGER », « AVERTISSEMENT » et « ATTENTION ».



« Danger » signifie que le fait de ne pas tenir compte de ce signal de sécurité pourrait entraîner des blessures corporelles ou la mort.



« Avertissement » signifie que le fait de ne pas tenir compte de ce signal peut causer des dommages matériels importants au produit, des blessures corporelles graves et même la mort.



« Attention » signifie que le fait de ne pas tenir compte de ce signal peut causer des blessures corporelles mineures et des dommages à la propriété ou à l'équipement.

Les signaux de sécurité vous serviront à repérer les dangers potentiels, à réduire les risques de blessure et à comprendre ce qui pourrait se produire si les instructions n'étaient pas suivies.

CONSEILS DE SÉCURITÉ IMPORTANTS



Avant toute utilisation, le cellier doit être convenablement positionné et installé comme il est décrit dans ce manuel, il est donc nécessaire de le lire attentivement. Pour réduire les risques d'incendie, d'électrocution ou de blessure lors de l'utilisation de l'appareil, nous vous recommandons de suivre les mesures de sécurité suivantes:

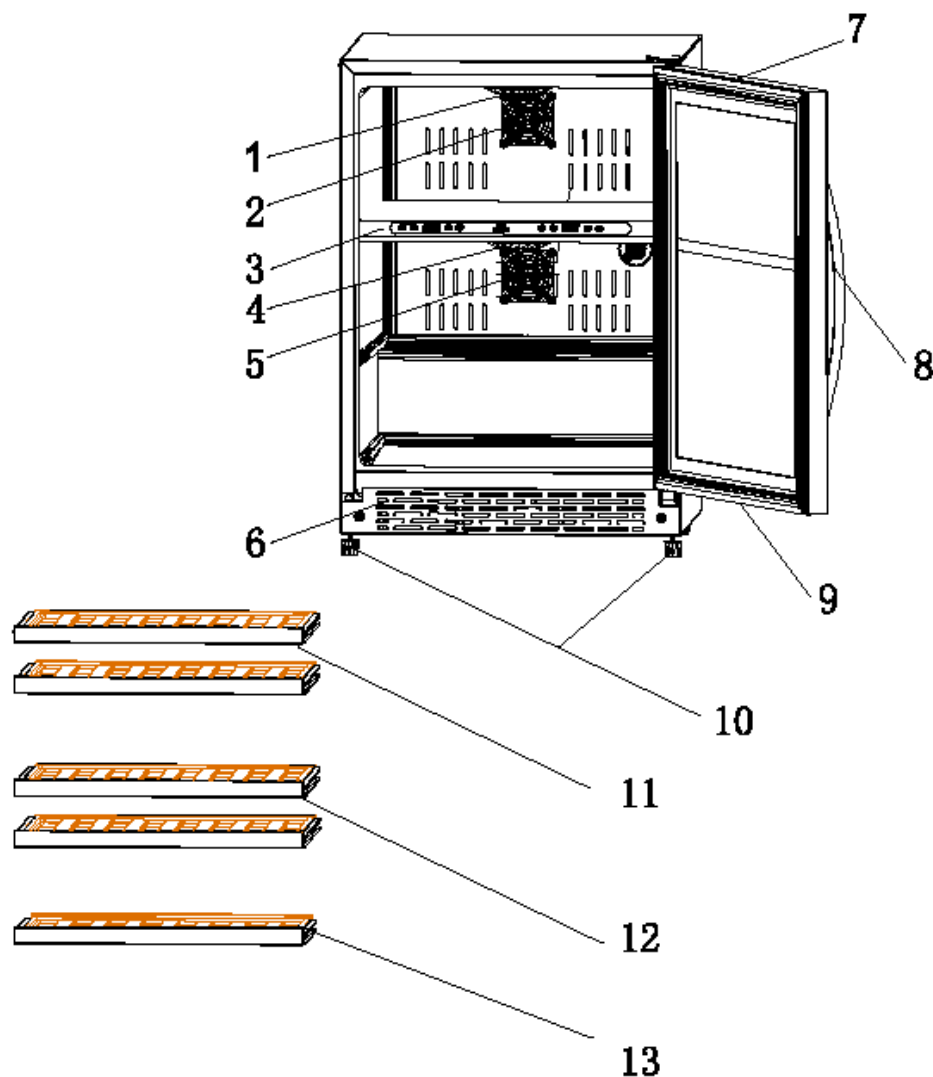
⚠ DANGER ⚠

- Branchez l'appareil à une prise triphasée mise à la terre, ne retirez pas la broche de masse, ne pas utiliser d'adaptateur ni de rallonge.
- Remplacez tous les panneaux avant de mettre en marche l'appareil.
- Il est recommandé de ne pas brancher cet appareil dans la prise d'un autre appareil ni dans une prise qui peut être éteinte par un interrupteur ou par une chaîne de traction.
- Ne nettoyez jamais les pièces de l'appareil avec des liquides inflammables. Les vapeurs provoquées par ces liquides risquent de déclencher un incendie ou une explosion dangereuse.
- Ne placez pas l'appareil près d'essence ou de tout autre produit liquide ou gazeux inflammable. La fumée que ces produits dégagent pourrait déclencher un incendie ou une explosion dangereuse.
- Évitez les risques d'électrocution en débranchant l'appareil avant de procéder à son nettoyage ou à sa réparation.
- Lorsque vous branchez ou débranchez l'appareil, assurez-vous que vos mains sont bien sèches.
- Ne tentez pas de réparer l'appareil ni d'en remplacer une pièce à moins que ce ne soit spécifiquement recommandé dans ce manuel. Laissez à un technicien qualifié le soin de procéder à toute réparation non recommandée.

⚠ WARNING ⚠

- Déplacez l'appareil à deux ou à plusieurs personnes afin d'éviter les blessures.
- Pour assurer la ventilation convenable de l'appareil, laissez-en le devant complètement dégagé. Choisissez une pièce bien aérée d'une température entre 60°F (16°C) à 90°F (32°C), à l'abri des éléments tels que le vent et la pluie ainsi que l'eau pulvérisée et en gouttes.
- Ne placez pas l'appareil à proximité d'un four, d'une cuisinière ou de toute autre source de chaleur.
- Installez l'appareil avec tous les branchements électriques requis par les codes provinciaux. Une alimentation électrique standard (115 Volts CA uniquement et 60Hz) convenablement reliée à la terre et conforme au Code canadien de l'électricité et aux codes et aux ordonnances locaux est requise.
- Faites attention de ne pas plier ni coincer le cordon d'alimentation de l'appareil.
- L'intensité du fusible (ou du disjoncteur) doit être de 15 ampères.
- Il est important que l'appareil soit à niveau afin qu'il fonctionne correctement. Il se peut que vous deviez faire plusieurs ajustements pour y arriver.
- Ne laissez pas d'enfants jouer avec l'appareil.
- Pour nettoyer l'appareil, n'utilisez pas d'agents abrasifs à base de solvant qui pourraient endommager ou en décolorer les surfaces.
- N'utilisez l'appareil qu'aux fins auxquelles il a été conçu.

PIÈCES ET CARACTÉRISTIQUES



1. Lumière intérieure – zone supérieure
2. Ventilateur intérieur – zone supérieure
3. Panneau de contrôle de la température
4. Lumière intérieure – zone inférieure
5. Ventilateur intérieur – zone inférieure
6. Coup-de-pied
7. Porte vitrée en acier inoxydable
8. Poignée en acier inoxydable
9. Serrure (certains modèles)
10. Pattes ajustables
11. Grandes tablettes – zone supérieure (2)
12. Grandes tablettes – zone inférieure (2)
13. Petite tablette – zone inférieure (1)

PRÉPARATION ET INSTALLATION DU CELLIER

PREPARATION DU CELLIER

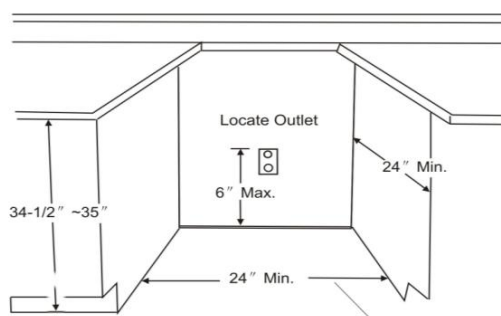
- Retirez l'emballage extérieur et intérieur. Lisez le mode d'emploi.
- Placez l'appareil à l'endroit qui lui est réservé puis attendez environ deux heures avant de le brancher. Vous éviterez ainsi des troubles de fonctionnement au niveau du système de refroidissement possiblement occasionnés lors du transport.
- Nettoyez les surfaces intérieures avec un chiffon doux imbibé d'eau tiède.

INSTALLATION DU CELLIER

- Cet appareil autoportant est aussi encastrable.
- Il doit être placé sur une surface solide qui en supportera le poids une fois rempli. Mettez-le à niveau en ajustant les pieds réglables à l'avant de l'appareil.
- Placez l'appareil à l'abri des rayons du soleil et de sources de chaleur (four, chauffage, radiateur, etc.). Une exposition directe à la lumière du soleil peut affecter le revêtement acrylique de l'appareil et les sources de chaleur peuvent en faire augmenter la consommation d'électricité. Des températures ambiantes extrêmement froides peuvent aussi causer des problèmes de fonctionnement. En raison de ces facteurs, cet appareil n'est pas conçu pour une utilisation dans un garage ou dans toute autre installation à l'extérieur.
- Évitez d'installer l'appareil dans des endroits.
- Branchez l'appareil seul dans une prise murale mise à la terre. Ne coupez ni enlevez sous aucun prétexte la troisième broche du cordon d'alimentation. Adressez toute question concernant l'électricité ou la mise à la terre à un électricien certifié ou à un centre de service autorisé. Cet appareil ne convient pas pour un usage avec un convertisseur de courant, ni dans un véhicule récréatif
- Après avoir branché l'appareil dans une prise, l'appareil doit être laissé à refroidir pendant 3 à 4 heures avant de placer les bouteilles dans l'appareil pour s'assurer qu'il atteint une température appropriée et stable.

ENCASTREMENT

Cet appareil est prévu pour une installation autoportante ou encastrée. Si vous pensez l'utiliser encastré, veuillez suivre les conditions présentées ci-dessous.

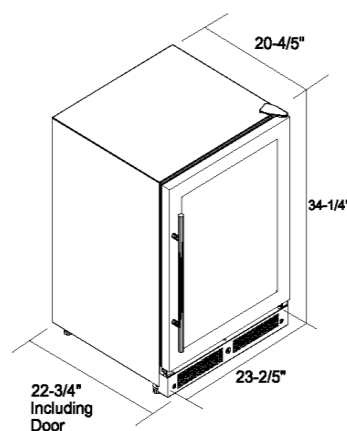


← Figure

Dimensions de l'encastrement		
	IN (min)	MM (min)
Largeur	24"	610 mm
Profondeur	24"	610 mm
Hauteur	35"	889 mm

Figure →

Dimensions de l'appareil		
	IN (min)	MM (min)
Largeur	23 2/5"	589 mm
Profondeur (without handle)	20 4/5"	528 mm
Profondeur (with Handle)	22 3/4"	578 mm
Hauteur	34 1/4"	870 mm



Si l'installation se fait entre des armoires sans cadre, une fourrure d'un 1/2 " de large ou une bande panneau latérale pourra être nécessaire du côté charnière. La bande agira comme un espacement entre le boîtier de l'appareil et la porte du cabinet adjacent. La largeur de l'ouverture doit inclure le panneau ou la fourrure.

Note: La porte doit excéder d'au moins 1 " au-delà des armoires environnantes et il doit y avoir au moins 2" de dégagement autour.

⚡ AVERTISSEMENT ⚡

Une mauvaise utilisation de la prise mise à la terre peut présenter des risques d'électrocution. Si le cordon d'alimentation est endommagé, faites-le remplacer par un centre de service autorisé agréé.

Pour votre sécurité, l'appareil doit être convenablement mis à la terre. Afin de minimiser les risques d'électrocution, le cordon d'alimentation de cet appareil est muni d'une prise à trois broches qui se branche dans une prise murale standard à trois broches.

Ne coupez pas et n'enlevez pas, sous aucun prétexte, la troisième broche du cordon d'alimentation. Pour votre sécurité, l'appareil doit être convenablement mis à la terre.

Cet appareil est conçu pour fonctionner avec une prise de courant mise à la terre standard à trois broches de 115/120 V c.a. et 60 Hz. Faites vérifier la prise murale et le circuit électrique par un électricien qualifié pour vous assurer que la prise de courant est bien mise à la terre. Si la prise murale comporte deux broches, vous devez la remplacer ou la faire remplacer par une prise murale à trois broches mise à la terre.

Gardez le cordon d'alimentation derrière l'appareil ou enroulé de façon à éviter les blessures accidentelles.

L'appareil doit toujours être branché seul à une prise murale dont la tension correspond à celle indiquée afin d'offrir le meilleur fonctionnement possible, mais aussi d'éviter une surchauffe des circuits électriques qui pourrait provoquer un incendie. Ne débranchez jamais l'appareil en tirant sur le cordon d'alimentation. Tenez plutôt fermement la fiche. Réparez ou remplacez immédiatement le cordon d'alimentation s'il est effilé ou abîmé. N'utilisez jamais de cordon d'alimentation fissuré ou usé au niveau de la gaine ou de la fiche. Lorsque vous devez déplacer l'appareil, assurez-vous de ne pas abîmer le cordon d'alimentation.

RALLONGE

En raison des dangers potentiels qu'elles présentent dans certaines circonstances, il est fortement recommandé de ne pas utiliser de rallonge avec cet appareil. Cependant, s'il est nécessaire d'en utiliser une, il est indispensable qu'elle soit homologuée par la CSA/CUL/UL de 115 volts, à trois conducteurs avec prise triphasée mise à la terre et d'au moins 10 ampères.

PARASURTENSEUR (Powerbar)

Comme la plupart des appareils munis de composants électroniques, vous pourriez avoir besoin d'un parasurtenseur (powerbar). Lorsqu'il y a des variations dans l'électricité, le cellier se ferme afin de se protéger. Pour éviter d'endommager les composants électroniques, vous pouvez brancher un parasurtenseur (powerbar).

FONCTIONNEMENT DE L'APPAREIL


Il est recommandé de placer l'appareil dans un endroit où la température ambiante se situe entre 19° et 24°C (66°F-75°F). Si la température ambiante est supérieure ou inférieure à la température recommandée, il se peut que le fonctionnement de l'appareil en soit affecté. Par exemple, exposer votre appareil à un froid extrême ou à de fortes chaleurs peut faire fluctuer les températures intérieures et empêcher l'atteinte de l'amplitude de 4° à 20°C (39°F-68°F).

RECOMMANDATIONS RELATIVES A LA TEMPERATURE

Vins Rouges: 15°C-- 18°C / 58°F -- 65°F
Vins Blancs: 9°C -- 14°C / 48°F -- 57°F
Vins Roses: 10°C -- 11°C / 49°F -- 51°F
Vins Mousseux: 5°C-- 8°C / 40°F -- 47°F




INTERRUPTEUR MARCHE/ARRET






Pour éteindre l'appareil, déverrouillez le panneau de contrôle et appuyez sur  pendant 3 secondes.

DEVERROUILLAGE DU TABLEAU DE COMMANDE

L'appareil est équipé d'un dispositif automatique de verrouillage de tableau de commande. Ce dispositif empêche tout changement indésirable des paramètres de température ou d'alimentation. La fonction de verrouillage s'active automatiquement 12 secondes après la dernière pression d'une touche au tableau de commande.

Pour déverrouiller le tableau de commande, maintenez enfoncé les boutons  pendant 3 secondes; le tableau de commande émettra un signal sonore et clignotera une fois pour indiquer qu'il est actif et prêt à accepter de nouveaux paramètres. Vous devez déverrouiller le panneau de commande à chaque fois que vous voulez régler la température, changer l'affichage (C° - °F), allumer ou éteindre la lumière ainsi que pour éteindre le cellier.


REGLAGE DE LA TEMPERATURE

Vous pouvez choisir d'afficher la température en Fahrenheit ou en Celsius en touchant le bouton . La sélection apparaîtra dans la fenêtre d'affichage. Si vous désirez changer la température, appuyez sur un des 2 boutons suivants :  ou . La température augmentera 1°F ou 1°C si vous touchez le bouton  une fois. En touchant le bouton , la température diminuera 1°F ou 1°C.

REMARQUE: Si l'appareil est débranché, éteint ou qu'il y a une panne de courant, il faudra attendre entre 3 et 5 minutes avant de redémarrer l'appareil. Si vous tentez de le faire avant ce délai, l'appareil ne redémarrera pas.

Si vous utilisez l'appareil pour la première fois ou que vous le redémarrez après qu'il ait été arrêté pendant une longue période, il pourrait y avoir un décalage de quelques degrés entre la température que vous avez sélectionnée et celle indiquée sur l'affichage à DEL. Ceci est normal étant donné la durée du temps d'activation. Lorsque l'appareil aura fonctionné quelques heures, tout rentrera dans l'ordre.

ÉCLAIRAGE INTERIEUR

S'il est laissé allumer, l'éclairage intérieur s'éteindra automatiquement au bout de dix minutes. Vous devrez alors déverrouiller le panneau de contrôle et appuyer sur l'icône  représentant l'éclairage pour le rétablir.

CAPACITE D'ENTREPOSAGE

Les bouteilles peuvent varier en taille et en dimension. Ainsi, le nombre réel de bouteilles qu'il vous sera possible d'entreposer variera également. Ce cellier à vin peut contenir 44 bouteilles de taille standard. Dans la zone du haut, 2 tablettes de 8 bouteilles, dans la zone du bas, 2 tablettes de 8 bouteilles plus 1 tablette de 12 bouteilles (6+6 empilées).

TABLETTES

Pour éviter d'endommager le coupe-froid de la porte, assurez-vous d'ouvrir la porte complètement (au-delà de 90 degrés) quand vous retirez une tablette. Pour prendre les bouteilles aisément, il faut tirer les étagères d'environ le tiers de leurs rails.

Pour sortir une tablette de son rail, tirez-en environ le tiers vers l'extérieur. Prenez un long tournevis plat pour appuyer sur l'encoche en plastique de gauche, tel qu'indiqué à la Figure A, et soulevez simultanément l'encoche en plastique de droite tel qu'indiqué à la Figure B. Tirez ensuite doucement la tablette.

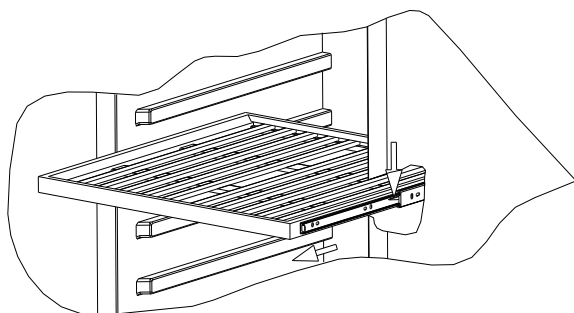


Figure A

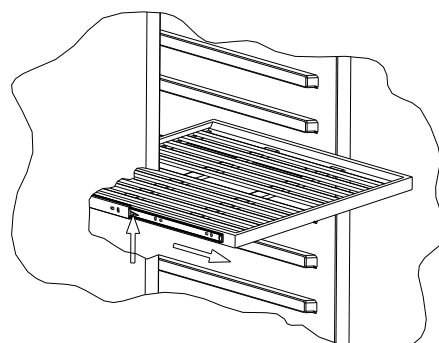


Figure B

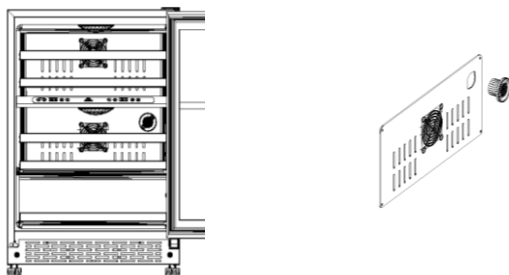
Pour replacer une tablette, posez les côtés de la tablette sur les rails de soutien de l'armoire et repoussez-la jusqu'à ce que les onglets de la tablette se mettent en place. REMARQUE: VÉRIFIER QUE LES ONGLETS SOIENT SOLIDEMENT EN PLACE AVANT DE STOCKER DES BOUTEILLES.

SYSTÈME DE FILTRE AU CHARBON

Votre vin est un produit vivant qui respire par le bouchon de sa bouteille. Afin de préserver la qualité et le goût de vos grands vins, ces derniers doivent être entreposés à des températures et à des conditions ambiantes idéales.

Votre cellier est équipé d'un filtre au charbon, veillant à assurer la pureté de l'air et à éliminer les odeurs pendant l'entreposage de vos vins. N'oubliez pas que le filtre doit être remplacé tous les 12 mois.

- Retirer les bouteilles dans les 2 tablettes devant le filtre.
- Retirer les tablettes et laisser les côtés.
- Tener et tourner le filtre à 45° dans le sens des aiguilles d'une montre et tirer.
- Remplacer le filtre par un nouveau.
- Remettre le nouveau filtre en tournant à 45° dans le sens contraire des aiguilles d'une montre.



ENTRETIEN DE L'APPAREIL

DECONGÉLATION

L'accumulation de glace sur le mur arrière intérieures 'éliminera automatiquement quand le compresseur aura terminé son cycle. L'eau s'égouttera en passant par le sortie de vidange du mur arrière intérieure dans un contenant situé au-dessus du compresseur, à partir d' où elle s'évapore.

NETTOYAGE DE L'APPAREIL

- Coupez le courant, débranchez l'appareil et videz le contenu incluant les tablettes.
- Lavez les surfaces intérieures avec de l'eau chaude et une solution au bicarbonate de soude (2 cuillères à soupe pour ¼ de litre d'eau).
- Lavez les tablettes avec un détergent doux.
- Essorez bien l'éponge ou le chiffon avant de nettoyer les parties de contrôle ou toute partie électrique.
- Lavez l'extérieur de l'appareil avec de l'eau chaude et du détergent liquide doux. Rincez bien et essuyez le tout à l'aide d'un chiffon doux et propre. (Missing one more paragraph)

PANNE DE COURANT

La plupart des coupures de courant se rétablissent en quelques heures et ne devraient pas affecter la température de votre cellier si vous ouvrez la porte le moins possible. Si le courant ne se rétablit pas avant longtemps, voyez à protéger le contenu de l'appareil.

DEPLACEMENT DE L'APPAREIL

- Videz l'appareil.
- Fixez à l'aide de ruban adhésif toutes les pièces libres (tablettes) à l'intérieur de l'appareil.
- Vissez les pieds ajustables au maximum.
- Fermez la porte à l'aide de ruban adhésif.
- Assurez-vous que l'appareil soit positionné verticalement pendant le transport. Protégez-en l'extérieur à l'aide d'une couverture, d'une toile, etc.

CONSEILS ECOENERGETIQUES

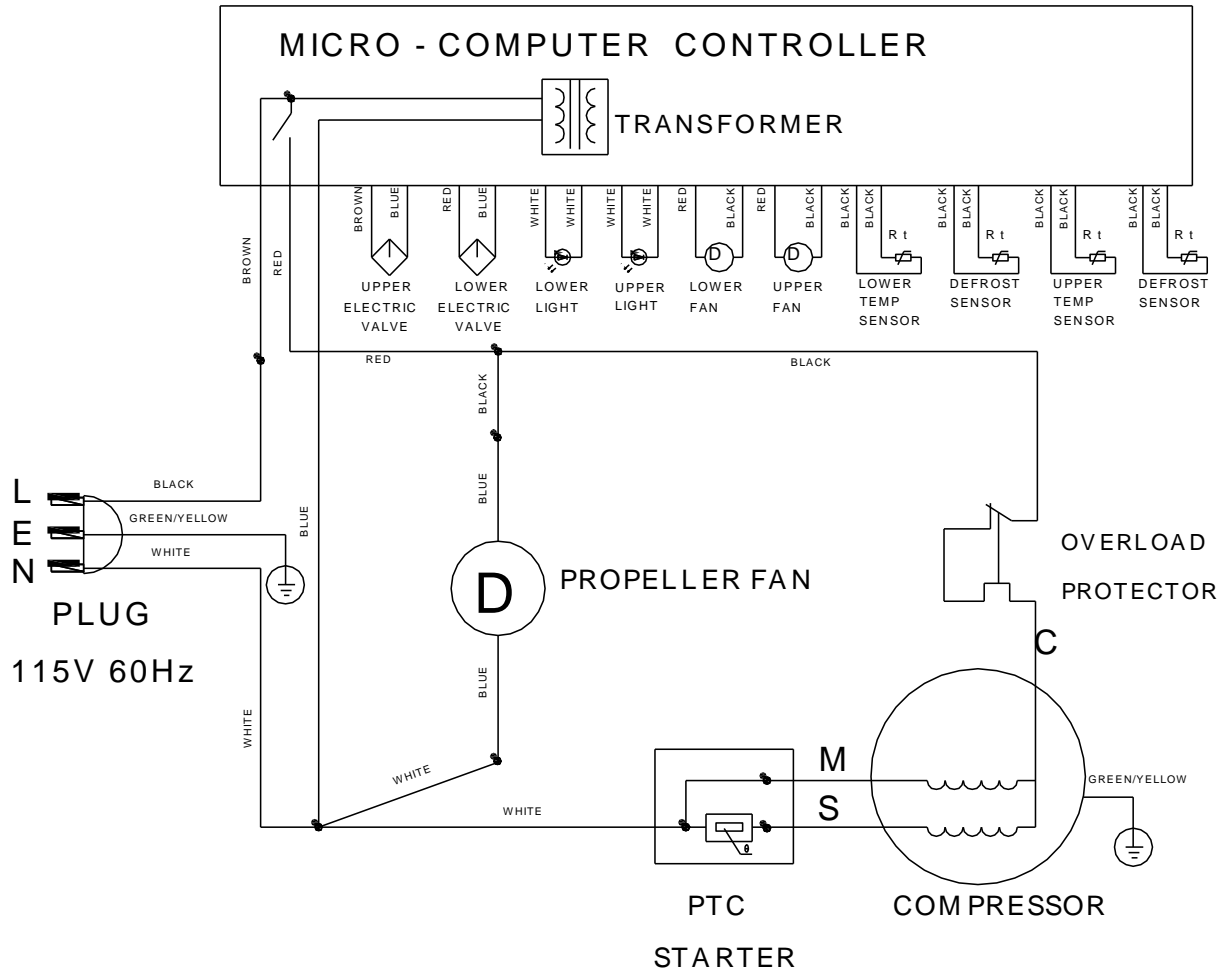
L'appareil doit être placé dans l'endroit le plus frais de la pièce, loin des appareils qui dégagent de la chaleur et des rayons directs du soleil.

GUIDE DE DÉPANNAGE

Vous pouvez facilement résoudre plusieurs des problèmes courants de votre appareil et vous épargner ainsi des frais de service. Essayez les suggestions ci-dessous qui s'appliquent à votre situation avant de faire appel à un professionnel.

PROBLÈME	CAUSE POSSIBLE	SOLUTION
L'appareil ne fonctionne pas.	Il est débranché. Il est éteint. Le disjoncteur est éteint ou le fusible grillé.	Vérifiez s'il est bien branché. Pesez sur le bouton pour l'allumer Vérifiez le disjoncteur et/ou les fusibles.
L'appareil n'est pas assez froid.	L'environnement extérieur nécessite un réglage plus élevé. La porte est ouverte trop souvent. La porte est mal fermée. Le coupe-froid d'étanchéité de la porte n'est pas suffisamment étanche.	Vérifiez le réglage de contrôle de la température. Vérifiez si la porte est bien fermée. Vérifiez si le coupe-froid est en parfaite condition.
Le compresseur part et arrête fréquemment.	La température de la pièce est plus élevée que la normale. Un nombre élevé de produits a été ajouté. La porte est ouverte trop souvent. La porte est mal fermée. Le contrôle de la température est mal réglé. Le coupe-froid d'étanchéité de la porte n'est pas suffisamment étanche.	Vérifiez si la porte est bien fermée. Régler le contrôle de la température autrement. Vérifier l'état du coupe-froid.
La lumière ne fonctionne pas.	L'appareil est débranché. Le disjoncteur est éteint ou le fusible grillé. L'ampoule a grillé. L'interrupteur de la lumière est en position d'arrêt.	Vérifier s'il est bien branché. Vérifier le disjoncteur et/ou les fusibles.
L'appareil vibre.	L'appareil n'est pas à niveau Les bouteilles vibrent entre elles. Il y a un objet sous le cellier.	Vérifiez que l'appareil est bien à niveau. Ajuster les bouteilles pour éviter qu'elles vibrent. Vérifier sous le cellier.
L'appareil semble faire trop de bruit.	L'appareil n'est pas à niveau.	Mettre l'appareil de niveau. Le son de crécelle peut provenir du fluide réfrigérant, ce qui est normal. À la fin de chaque cycle, vous pourriez entendre des gargouillis provenant du fluide qui circule dans les conduits. La contraction et la dilatation des murs intérieurs peuvent produire des craquements et des cliquetis.
La porte ne se ferme pas bien.	L'appareil n'est pas à niveau. La porte a été mal installée après avoir été inversée. Le coupe-froid est sale. Les tablettes ne sont pas bien installées.	Vérifiez que l'appareil est bien à niveau. Vérifiez l'installation de la porte. Nettoyez le coupe-froid. Vérifiez l'installation des tablettes.
Code: E0-E1-E2 HH-LL	Code d'erreur.	Communiquez avec nous pour un appel de service.

SCHEMA DE CÂBLAGE



INDICE

INSTRUCCIONES DE SEGURIDAD	25
SEGURIDAD DEL APARATO	25
MEDIDAS PREVENTIVAS	26
PIEZAS Y CARACTERISTICAS	27
INSTRUCCIONES DE INSTALACION	28
Antes de utilizar su armario bodega	28
Instalación de su armario bodega	28
Instalación integrada	28
Conexión eléctrica	29
Cable de extensión/Alargador	29
Protector de sobretensión	29
UTILIZACION DEL ARMARIO BODEGA	30
Temperatura recomendada para la conservación del vino	30
Encendido/Apagado	30
Bloqueo del panel de control	30
Modificar la temperatura seleccionada	30
Luz interior	30
Capacidad	31
Repisa/baldas	31
Sistema de filtro de carbón	31
CUIDADO Y MANTENIMIENTO	32
Deshielo	32
Limpieza de su armario bodega	32
Corte de corriente	32
Desplazamiento de su armario bodega	32
Consejos para ahorrar energía	32
SOLUCION DE PROBLEMAS	33
DIAGRAMA ELECTRICO	34

INSTRUCCIONES DE SEGURIDAD

⚡ ADVERTENCIA ⚡	Para evitar el riesgo de incendio, descargas eléctricas o daños al utilizar su aparato, tome las siguientes precauciones:
<ul style="list-style-type: none">• Lea detenidamente este manual antes de su instalación y uso.• PELIGRO O ADVERTENCIA: Para evitar la posibilidad de que los niños se queden atrapados, por favor tome las siguientes precauciones antes de deshacerse del aparato:<ul style="list-style-type: none">- Retire la(s) puerta(s) de la unidad.- Deje las baldas en su sitio para evitar que los niños puedan acceder fácilmente al interior.• Nunca permita que los niños usen, jueguen o gateen dentro del aparato.• Nunca limpie partes de aparatos eléctricos con líquidos inflamables. Los gases pueden provocar peligro de incendio o una explosión.• No almacene o use gasolina o cualquier otro vapor inflamable o líquido cerca de este o cualquier otro aparato eléctrico. Los gases pueden provocar peligro de incendio o una explosión. <p>-Guarde estas instrucciones-</p>	

SEGURIDAD DEL APARATO

Su seguridad y la de otras personas es muy importante.

Hemos incluido muchos mensajes importantes de seguridad en este manual y en su electrodoméstico. Lea y siga atentamente todas las advertencias e instrucciones de seguridad indicadas en el manual y el aparato.



Símbolo de alerta de seguridad. Indica la posibilidad de peligro de muerte o de lesiones graves. Todos los mensajes de seguridad se muestran con el símbolo y las palabras "PELIGRO", "ADVERTENCIA" o "PRECAUCION".



Peligro indica la posibilidad de peligro de muerte o de lesiones graves.



Advertencia indica la posibilidad de riesgo de lesiones personales, muerte y daños de gravedad en el producto.



Precaución indica la posibilidad de riesgo de lesiones personales leves o moderada, o daños materiales.

Los mensajes de alerta advierten de peligros potenciales y las consecuencias que podría tener el no seguir las instrucciones. Estas advertencias minimizan las probabilidades de que se produzcan lesiones y/o daños.

MEDIDAS PREVENTIVAS



Antes de utilizar el aparato, lea atentamente estas instrucciones de seguridad y asegúrese de que el armario bodega se instala en una ubicación adecuada. Para evitar que se produzcan descargas eléctricas, fugas o fuego, tenga en cuenta los siguientes puntos:

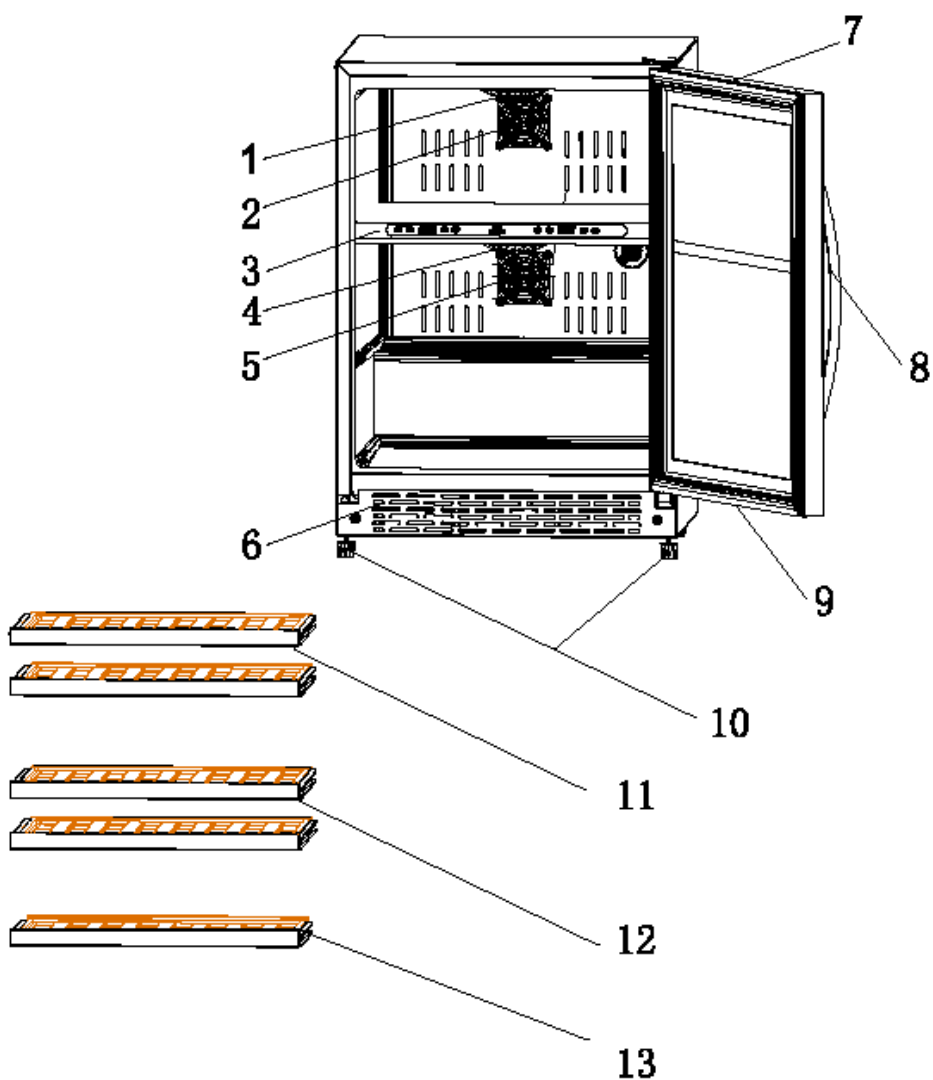
! DANGER !

- Asegúrese de conectar la unidad a un enchufe de tres puntas con toma a tierra. No quite la toma a tierra de la clavija y no use adaptadores ni alargadores.
- Quite todo el material de embalaje.
- No conecte varios dispositivos a una misma toma de corriente. Use enchufes que no puedan ser desconectados por un interruptor.
- Nunca lave la unidad con líquidos o detergentes inflamables. Sus gases pueden causar incendios y explosiones. No almacene o use gasolina, líquidos y vapores inflamables cerca de la unidad o cualquier otro electrodoméstico. Sus gases pueden causar incendios y explosiones.
- Asegúrese de desconectar el armario bodega antes proceder a su limpieza y/o mantenimiento.
- No conecte o desconecte la unidad de la corriente cuanto tenga las manos mojadas.
- Desenchufe el aparato o desconecte la corriente eléctrica antes de limpiarlo o repararlo. Podría sufrir una descarga eléctrica y eventualmente la muerte.
- No repare o haga modificaciones en la unidad por su cuenta, excepto cuando así se recomiende expresamente en este manual. Siempre acuda al servicio técnico oficial.

! WARNING !

- Para mover e instalar el armario bodega se requieren 2 o más personas. De no seguir este consejo, podría sufrir daños en la espalda u otros lugares.
- Para asegurar una correcta ventilación, la parte frontal de la unidad no debe tener ninguna obstrucción. Escoja un emplazamiento bien ventilado con temperaturas superiores a 60°F (16°C) e inferiores a 90°F (32°C). No exponga el armario bodega al viento, lluvia, agua, aspersores o goteras.
- La unidad no debe instalarse en las proximidades de hornos, barbacoas u otras fuentes que emitan mucho calor.
- Asegúrese de realizar la instalación siguiendo todos los requisitos de conexión eléctrica, de agua y drenaje especificados en las normativas estatales y locales. Se requiere un enchufe estándar (115 V solo AC, 60 Hz), con una correcta conexión a tierra que cumpla con la Normativa Nacional de Electricidad y las ordenanzas y normativas locales.
- No doble el cable de alimentación.
- Utilice un fusible de 15 amperes.
- El aparato debe estar bien nivelado para que funcione correctamente. Puede que necesite realizar varios ajustes para nivelarlo.
- No permita que los niños usen, jueguen o entren dentro del aparato.
- No utilice detergentes agresivos y/o con disolvente en la parte interior del armario bodega, podrían dañar o decolorar el interior.
- No utilice este aparato para otros fines distintos a la conservación del vino.

PIEZAS Y CARACTERISTICAS



1. Luz interior – zona superior
2. Ventilador interior – zona superior
3. Panel de control de temperatura
4. Luz interior – zona inferior
5. Ventilador interior – zona inferior
6. Rejilla frontal
7. Puerta de vidrio con marco en acero inoxidable
8. Tirador de acero inoxidable
9. Cerradura (algunos modelos)
10. Patas ajustables
11. Repisa/balda grande – zona superior (2)
12. Repisa/balda grande – zona inferior (2)
13. Repisa/balda pequeña – zona inferior (1)

INSTRUCCIONES DE INSTALACION

ANTES DE UTILIZAR SU ARMARIO BODEGA

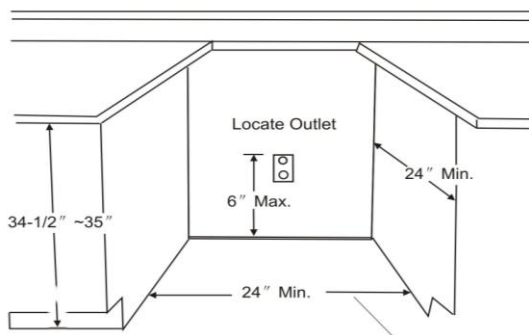
- Retire el embalaje exterior e interior.
- Antes de conectar el aparato a la fuente de alimentación, déjelo en posición vertical aproximadamente 2 horas, esto evitará cualquier posible fallo del sistema de refrigeración debido a un manejo inapropiado durante su transporte.
- Limpie el interior con un agua tibia y un paño suave.

INSTALACION DE SU ARMARIO BODEGA

- Este aparato ha sido diseñado para ser instalado de forma independiente o integrada.
- Colóquelo sobre un piso fuerte y nivelado que resista el peso del armario bodega cuando esté completamente lleno. Para ajustar la altura y nivelarlo utilice las patas ubicadas en la parte inferior.
- Coloque el aparato lejos de los rayos directos del sol y fuentes de calor (cocina, calefacción, radiador, etc.). Los rayos del sol pueden afectar a la capa acrílica y las fuentes de calor pueden aumentar el consumo eléctrico. Una baja temperatura ambiente también dificultará el buen funcionamiento de este aparato. Por estos motivos, esta unidad no está diseñada para su uso en un garaje o cualquier otra instalación exterior.
- Evite colocar este aparato en zonas húmedas.
- Enchufe el aparato en una toma de corriente a tierra bien instalada. Nunca corte o quite la tercera pata de la clavija. Todas las dudas sobre alimentación y/o puesta a tierra deben ser dirigidas a un electricista certificado o a un centro de servicio autorizado. Esta unidad no está diseñada para ser instalada en una autocaravana o ser utilizada con un convertor de energía.
- Después de conectar el aparato a la corriente de pared, se debe permitir que la unidad se enfríe durante 3 ~ 4 horas antes de colocar las botellas de vino en el aparato, para asegurarse de que alcanza una temperatura adecuada y estable.

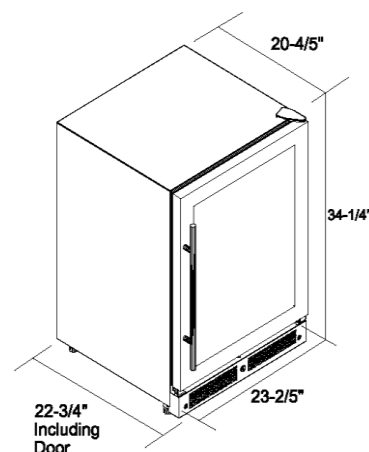
INSTALACION INTEGRADA

Esta unidad ha sido diseñada para ser instalada de forma independiente o integrada. Para una instalación integrada siga las siguientes indicaciones:



← Figura mostrada		
Dimensiones de encastre		
	IN (min)	MM (min)
Ancho	24"	610 mm
Profundidad	24"	610 mm
Altura	35"	889 mm

Figura mostrada →		
Dimensiones del aparato		
	IN (min)	MM (min)
Ancho	23 2/5"	589 mm
Profundidad (sin tirador)	20 4/5"	528 mm
Profundidad (con tirador)	22 3/4"	578 mm
Altura	34 1/4"	870 mm



La dimensión del corte que aparece en la ilustración establece el espacio necesario para abrir la puerta y tener acceso a las repisas extraíbles, cuando se instala como un aparato integrado. Si se instala entre armarios sin marco, en el lado de la bisagra podría ser necesaria una tira de relleno de ½" (1.27 cm) de ancho o un panel lateral. Esta tira servirá como separador entre la caja del aparato y la apertura de la puerta del armario adyacente. El ancho de la apertura debe incluir los paneles de filtro.

Nota: La puerta debe sobresalir al menos 1" (2.54 cm) de los armarios contiguos. El espacio libre debe ser de 2" (5 cm).

CONEXION ELECTRICA

⚡ Advertencia ⚡

El uso inadecuado de la clavija con toma a tierra puede ocasionar descargas eléctricas. Si el cable de alimentación está dañado contacte inmediatamente con un servicio técnico autorizado.

Asegúrese de conectar a tierra la unidad. El cable de este el armario tiene una clavija de tres puntas que puede ser usado en un enchufe estándar de tres puntas y minimiza el riesgo de una descarga eléctrica.

No elimine la tercera punta de toma a tierra que trae la clavija bajo ningún concepto. Por su seguridad, este electrodoméstico debe estar correctamente conectado a tierra.

Este electrodoméstico requiere un enchufe estándar 115/120 Volt AC ~/60Hz de tres puntas. El enchufe y el circuito eléctrico deben ser revisados por un electricista cualificado para asegurar que el enchufe está correctamente conectado a tierra. Si tiene un enchufe de estándar de dos puntas, reemplácelo por un enchufe de tres puntas con toma a tierra.

Asegúrese de que el cable de alimentación esté asegurado detrás del aparato y no quede expuesto o colgando para prevenir posibles accidentes.

El aparato siempre debe estar conectado a su toma de corriente individual, la toma debe tener las mismas características de voltaje y frecuencia que las descritas en la placa de características del electrodoméstico. Así se asegura un correcto funcionamiento del aparato y se previene la sobrecarga de los circuitos eléctricos que podrían causar un sobre-calentamiento o incendio. Para desenchufar el aparato, tome el cable con firmeza y sáquelo en línea recta. Repare o reemplace inmediatamente el cable de alimentación si está dañado o desgastado. No use un cable que tenga cortes o grietas. Tenga especial cuidado en no dañar el cable cuando mueva el electrodoméstico.

CABLE DE EXTENSION-ALARGADOR

Evite utilizar cables de extensión o alargadores ya que en determinadas circunstancias puede ser peligroso. No obstante, si obligatoriamente debe usar un cable de extensión, es imprescindible que sea un cable con la certificación UL/CUL, de clavija de tres puntas con toma a tierra, apto para 115 volts y con un mínimo de 10 amperes.

PROTECTOR DE SOBRETENSION

Como sucede con gran parte de los electrodomésticos, puede que necesite un protector de sobretensión. Cuando hay cambios de tensión, el armario se apaga automáticamente como medida de seguridad. Para evitar dañar los componentes electrónicos puede conectarlo a un protector de sobretensión.

UTILIZACION DEL ARMARIO BODEGA


Se recomienda colocar el armario bodega en un lugar donde la temperatura ambiente sea de entre 19° y 24°C (66°F-75°F). Si la temperatura ambiente no es la recomendada, el rendimiento del aparato puede disminuir. Si coloca el aparato en lugares muy fríos o calientes la temperatura interior puede variar. Puede que el armario bodega no alcance el rango de los 4° y 20°C (39°F-68°F).

TEMPERATURA RECOMENDADA PARA LA CONSERVACION DEL VINO

Vino Tinto: 15°C -- 18°C / 58°F -- 65°F
Vino Blanco: 9°C -- 14°C / 48°F -- 57°F
Vino Rosado: 10°C -- 11°C / 49°F -- 51°F
Vino Espumoso: 5°C -- 8°C / 40°F -- 47°F




ENCENDIDO / APAGADO






Para encender/apagar el aparato, mantenga pulsado el botón  durante 3 segundos.

BLOQUEO DEL PANEL DE CONTROL

Su armario bodega viene equipado con un sistema de bloqueo automático del panel de control para evitar cambios no deseados de temperatura y ajustes seleccionados. El bloqueo se activa automáticamente una vez transcurridos 12 segundos desde la última vez que se pulse un botón.

Para desbloquear el panel de control, mantenga pulsados los botones  simultáneamente durante 3 segundos. El panel emite un sonido y comienza a parpadear indicando que está activo y puede modificar los ajustes. Debe desbloquear el panel de control cada vez que quiera modificar la temperatura, modificar la visualización (°F - °C), encender/apagar la luz y apagar el armario bodega.



MODIFICAR LA TEMPERATURA SELECCIONADA

Puede seleccionar la visualización de la temperatura en grados Fahrenheit o Celsius pulsando el botón . El indicador de grados que haya seleccionado se mostrará en la pantalla LCD. Si desea modificar la temperatura, utilice los botones  o . Para aumentar la temperatura deseada 1°F o 1°C pulse el botón  una vez; si desea disminuir la temperatura 1°F o 1°C pulse el botón  una vez.

OJO: Si el aparato está desenchufado, desconectado o no hay corriente, espere de 3 a 5 minutos antes de reiniciar el aparato. Si intenta reiniciarlo antes de que transcurra el tiempo, el armario no se iniciará.

Puede que haya diferencias de temperatura entre la temperatura que se muestra en la pantalla LCD y la real cuando use su armario bodega por primera vez o lo reinicie después de un periodo prolongado sin uso. Es normal cuando hay periodos largos en los que no se usa. Una vez que el armario bodega esté funcionando por unas horas volverá a su funcionamiento normal.

LUZ INTERIOR

Para encender/apagar la luz interior, desbloquee el panel de control y presione el botón . La luz se apagará automáticamente después de 10 minutos. Para encenderla de nuevo, desbloquee el panel de control y pulse el botón  de nuevo.

CAPACIDAD

Tal y como los tamaños y dimensiones de las botellas varían, la capacidad de almacenamiento de su armario bodega también. Puede conservar 44 botellas estándar en este armario bodega. La zona superior puede albergar hasta 16 botellas de vino (2 filas de 8 botellas) y la zona inferior puede albergar hasta 28 botellas de vino -2 filas x 8 botellas, además de una fila de 12 botellas (6 + 6 apiladas).

REPISAS/BALDAS

Asegúrese de tener la puerta completamente abierta (más de 90 grados) para no dañar el burlete al sacar las repisas/baldas de los railes. Para acceder fácilmente a las botellas, saque las repisas/baldas aproximadamente un 1/3 desde los railes.

Para sacar las repisas/baldas, extráigalas un 1/3 de los railes. Utilice un destornillador plano para pulsar la muesca plástica hacia abajo como se muestra en la Figura A, y al mismo tiempo levante la muesca plástica como se muestra en la Figura B. Proceda a sacar la repisa/balda lentamente.

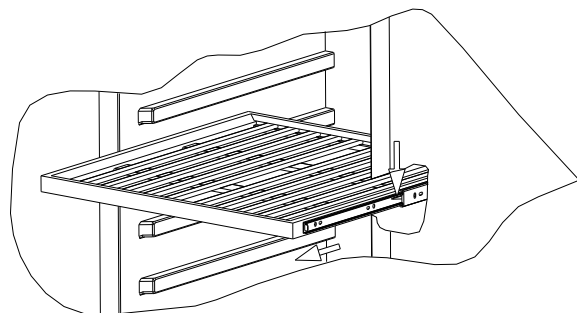


Figure A

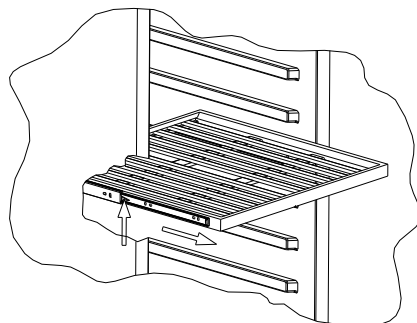


Figure B

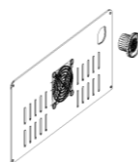
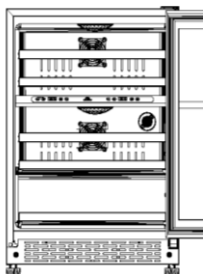
Para volver a colocar una repisa, coloque los lados de la repisa en los railes del armario y empuje hacia el fondo hasta que encajen en la muesca. **NOTA: ASEGURESE DE QUE LAS REPISAS/BALDAS ESTAN UBICADAS FIRMEMENTE EN SU LUGAR ANTES DE GUARDAR LAS BOTELLAS.**

SISTEMA DE FILTRO DE CARBON

El vino es un objeto vivo y respira a través del corcho de la botella. Para conservar el sabor y calidad de sus vinos, deben ser almacenados a la temperatura y condiciones ambientales ideales.

Su armario está equipado con un sistema de filtración de carbón para asegurar la pureza del aire, la eficiencia del enfriamiento y mantener el interior de la unidad libre de olores. El filtro está localizado en el panel trasero del interior de la unidad. Recuerde que el filtro necesita ser cambiado cada 12 meses.

- Extraiga las botellas de las (2) repisas/baldas que cubren el filtro.
- Extraiga las repisas/baldas y colóquelas a un lado para reponerlas después de reemplazar el filtro.
- Sujete el filtro y gírelo aproximadamente 45 grados en sentido anti-horario y sáquelo.
- Extraiga el filtro existente y reemplácelo con uno nuevo.
- Coloque el nuevo filtro en el agujero y gírelo aproximadamente 45 grados en sentido horario.



CUIDADO Y MANTENIMIENTO

DESHIELO

Cualquier acumulación de hielo en la pared trasera interna será automáticamente descongelada en un ciclo de descompresión. Cuando la descongelación se encuentra en proceso, sólo operan los ventiladores de circulación de las dos zonas.

El agua descongelada se drena en la bandeja de goteo (en el compresor), y el compresor evapora el agua.

LIMPIEZA DE SU ARMARIO BODEGA

- Apague y desconecte la unidad de la toma de corriente. Vacíe el armario bodega y saque las repisas/baldas.
- Limpie el interior utilizando agua tibia con bicarbonato, ayudado con una esponja o paño. Debe aplicar 2 cucharadas de bicarbonato por cada litro de agua.
- Lave las repisas/baldas en una solución de detergente suave.
- Escurra el exceso de agua de la esponja o paño cuando limpie los controles o cualquier parte eléctrica.
- Limpie el exterior con agua tibia y detergente líquido suave. Aclare y séquelo con un paño limpio.
- No utilice lana o cepillos de acero ya que contaminan el acero inoxidable con partículas de acero que pueden causar oxidación.

CORTE DE CORRIENTE

- La mayoría de los cortes de corriente se corrigen en pocas horas y no debieran afectar la temperatura de su armario bodega. No obstante, debe reducir la cantidad de veces que abra la puerta cuando no haya corriente. Si prevé que no haya corriente durante un periodo de tiempo largo tome las medidas necesarias para garantizar el buen estado de sus vinos.

DESPLAZAMIENTO DEL ARMARIO BODEGA

- Vacíe su contenido (botellas).
- Pegue con cinta adhesiva todos los artículos sueltos (repisas/baldas) dentro de su aparato.
- Gire la pata regulable hasta la base para evitar daños.
- Cierre la puerta con cinta adhesiva.
- Asegúrese de que el aparato es transportado en posición vertical. Proteja el exterior del electrodoméstico con una manta/frazada o una superficie acolchada similar.

CONSEJOS PARA AHORRAR ENERGIA

Coloque el armario bodega en la parte más fresca de la habitación, lejos de electrodomésticos que emitan calor y fuera del alcance de la luz directa del sol.

SOLUCION DE PROBLEMAS

Puede solucionar muchos problemas comunes del aparato fácilmente y eso le ahorrará el coste de una posible llamada al servicio de asistencia técnica. Antes de llamar al servicio técnico, revise los siguientes consejos prácticos de resolución de problemas.


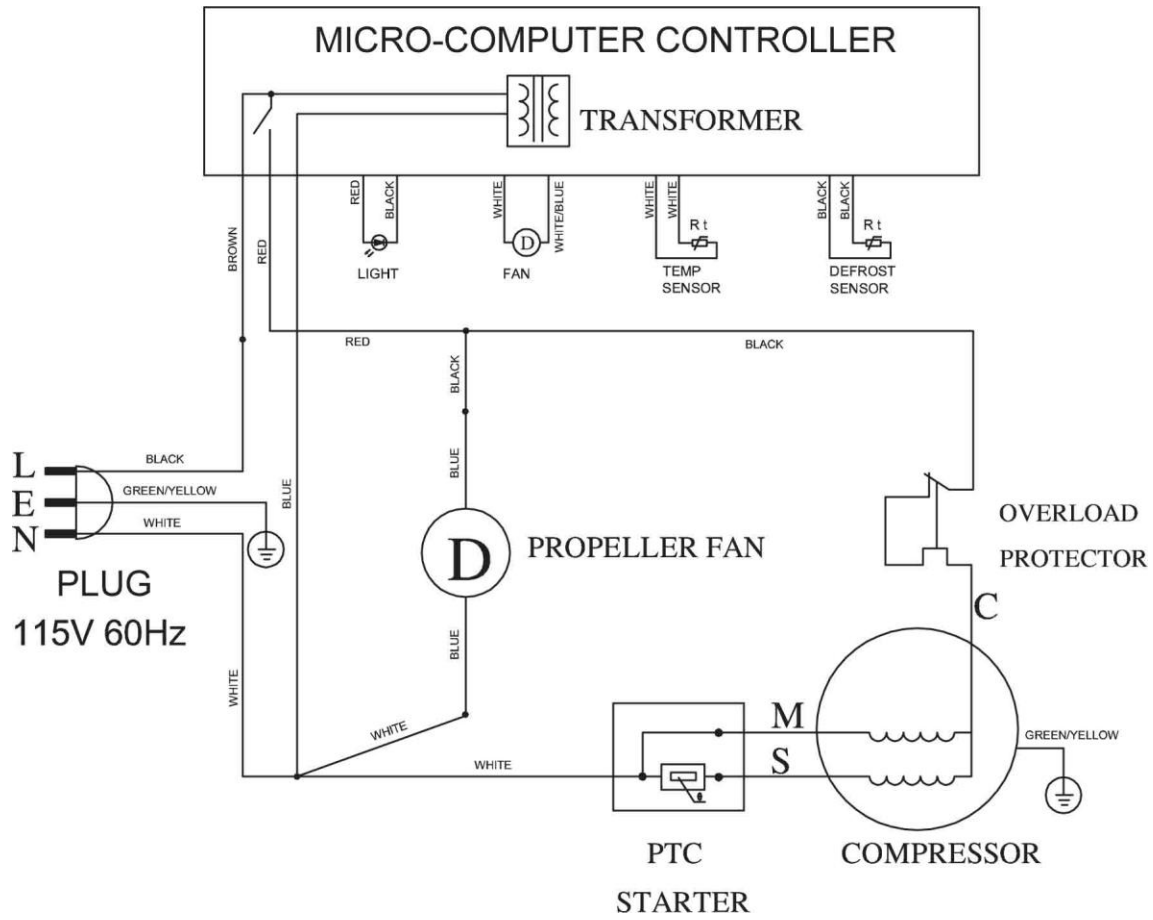
PROBLEMA	CAUSA PROBABLE	SOLUCION
El armario bodega no funciona.	No está conectada a corriente. El aparato está apagado. Se ha producido un cortocircuito o se ha fundido el fusible.	Conéctelo. Pulse  para encenderlo. Compruebe el circuito y/o los fusibles.
El armario bodega no enfría lo suficiente.	La temperatura ambiente requiere una temperatura inferior. La puerta se abre con demasiada frecuencia. La puerta no está completamente cerrada. El burlete de la puerta no sella correctamente.	Compruebe la temperatura seleccionada. Cierre la puerta correctamente. Compruebe el burlete.
El compresor enciende y apaga frecuentemente.	La temperatura ambiente es más alta de lo normal. Se ha introducido una gran cantidad de botellas en el armario bodega. La puerta se abre con demasiada frecuencia. La puerta no está completamente cerrada. El control de temperatura no está fijado correctamente. El burlete de la puerta no sella correctamente.	Cierre la puerta correctamente. Compruebe el burlete.
La luz no prende.	No está conectado a corriente. Se ha producido un cortocircuito o se ha fundido el fusible. El botón de la luz está en posición "OFF"	Conéctelo. Compruebe el circuito y/o los fusibles.
Vibraciones.	El armario bodega no está nivelado. Las botellas vibran. Hay un objeto debajo del armario bodega.	Compruebe que el armario bodega esté nivelado. Asegúrese de que las botellas no estén en contacto. Saque el objeto.
El armario bodega emite demasiado ruido.	El armario bodega no está nivelado.	Nivele el armario bodega. El tableteo puede ser originado por el movimiento del refrigerante, es algo normal. Al finalizar cada ciclo, puede escuchar borboteos causados por el movimiento del refrigerante. La contracción o expansión de las paredes interiores pueden causar crujidos o chasquidos.
La puerta no cierra correctamente.	El armario bodega no está nivelado. La puerta está mal instalada. El burlete está sucio. Las repisas/baldas no están bien colocadas.	Nivele el armario bodega. Cierre la puerta correctamente. Limpie el burlete. Coloque la repisa/balda correctamente.
Código de error: E0-E1-E2 HH-LL	Códigos de error.	Contacte con el servicio técnico autorizado.

DIAGRAMA ELECTRICO



Free Manuals Download Website

<http://myh66.com>

<http://usermanuals.us>

<http://www.somanuals.com>

<http://www.4manuals.cc>

<http://www.manual-lib.com>

<http://www.404manual.com>

<http://www.luxmanual.com>

<http://aubethermostatmanual.com>

Golf course search by state

<http://golfingnear.com>

Email search by domain

<http://emailbydomain.com>

Auto manuals search

<http://auto.somanuals.com>

TV manuals search

<http://tv.somanuals.com>