



PATIO SCRUBBER

OWNER'S MANUAL
Model PS46H



FANTOM
94 Main Mill Street, Door 16
Plattsburgh, NY 12901
Tel.: 1 (800) 275-9251

SAFETY & WARNING INSTRUCTIONS

For safety reasons, it is recommended that you read this manual before attempting to operate this appliance. Failure to follow these instructions can result in personal injury or equipment problems. To help recognize note the following symbols:



Danger indicates an imminently hazardous situation, which, if not avoided, **WILL** result in death or serious injury.



Warning indicates a potentially hazardous situation, which, if not avoided, **COULD** result in death or serious injury.



Caution indicates a potentially hazardous situation, which, if not avoided, **MAY** result in death or serious injury.

NOTE: Information that requires special attention.

Important Safety Instructions SAVE THESE INSTRUCTIONS

When using this product, basic precautions should always be followed, including the following:



1. Read all instructions before using the product.
2. To reduce the risk of injury, close supervision is necessary when this product is used near children.
3. Always disconnect power on pressure washer before disassembling, repairing or changing attachments.
4. Follow all safety codes as well as the Occupational Safety and Health Act (OSHA).
5. Ensure safety devices are operating properly before each use. **DO NOT** remove or modify any part of the gun or unit.
6. Know how to stop this unit and relieve pressure quickly. Be thoroughly familiar with the controls.
7. Stay alert - Watch what you are doing.
8. Do **NOT** operate this unit when fatigued or under the influence of alcohol or drugs.
9. Keep operation area clear of all persons and objects.

10. Do **NOT** overreach or stand on unstable support. Keep good footing and balance at all times.
11. Follow maintenance instructions specified in this manual.
12. The pressure washer should be connected to a power supply receptacle protected by a ground fault circuit interrupter (GFCI) (electric power washers only).
13. Do **NOT** use acids, alkalines, solvents or any flammable material in this product. These products can cause physical injuries to the operator and may damage the machine.
14. **NEVER** point nozzle at people or animals.
15. **NEVER** use over electrical connections, electrical outlets or fixtures.
16. **NEVER** use hot water.
17. **NEVER** use to clean windows.
18. **NEVER** operate in the same area for more than 2 seconds.
19. For best performance, test the water pressure in an unseen area first.



Risk of injection or severe injury. Keep clear of nozzle. Do not discharge streams at persons. This product is to be used only by trained operators. Always remove patio scrubber from pressure washer before cleaning.

- Keep clear of nozzle. **NEVER** direct high pressure spray at any person, animal or self.
- Always wear safety goggles or glasses and protective clothing when operating, performing maintenance or changing accessories.
- **Never** put hands or fingers over the spray tip while operating the unit.
- **Never** try to stop or deflect leaks with any body part.
- Always engage the trigger safety latch in the safe position when spraying is stopped even if only for a few minutes.
- Always follow detergent manufacturer's label recommendations for proper use of detergents. Always protect eyes, skin and respiratory system from detergent use.



NEVER USE:

- Products containing bleach, chlorine or other corrosive chemicals.
- Liquids containing paint thinners, gasoline or oil.
- Products that are acid-based. These chemicals will damage the unit and the surface being cleaned.

Model PS46H



ONE(1) YEAR LIMITED WARRANTY

FANTOM warrants this product to be free from defects in material and workmanship for a period of one (1) year from the date of the original purchase, when utilized for normal household use, subject to the following conditions, exclusions and exceptions.

If your appliance fails to operate properly while in use under normal household conditions within the warranty period, return the complete appliance and accessories, freight prepaid to FANTOM, 94 Main Mill Street, Door 16, Plattsburgh, NY 12901. If the appliance is found by **FANTOM** to be defective in material or workmanship, **FANTOM** will repair or replace it free of charge. Proof of purchase date and \$ 12.95 to cover the cost of return shipping and handling must be included. *

Non-durable parts including, without limitation, lances and brushes which normally require replacement are specifically excluded from warranty.

The liability of **FANTOM** is limited solely to the cost of the repair or replacement of the unit at our option. This warranty does not cover normal wear of parts and does not apply to any unit that has been tampered with or used for commercial purposes. This limited warranty does not cover damage caused by misuse, abuse, negligent handling or damage due to faulty packaging or mishandling in transit. This warranty does not cover damage or defects caused by or resulting from damages from shipping or repairs, service or alterations to the product or any of its parts, which have been performed by a repair person not authorized by **FANTOM**.

This warranty is extended to the original purchaser of the unit and excludes all other legal and/or conventional warranties. The responsibility of **FANTOM** if any, is limited to the specific obligations expressly assumed by it under the terms of the limited warranty. **In no event is FANTOM** liable for incidental or consequential damages of any nature whatsoever. Some states do not permit the exclusion or limitation of incidental or consequential damages, so the above may not apply to you.

This warranty gives you specific legal rights, and you may also have other rights which vary from state to state.

***Important: Carefully pack item to avoid damage in shipping. Be sure to include proof of purchase date and to attach tag to item before packing with your name, complete address and phone number with a note giving purchase information, model number and what you believe is the problem with item. We recommend you insure the package (as damage in shipping is not covered by your warranty). Mark the outside of your package "ATTENTION CUSTOMER SERVICE". We are constantly striving to improve our products, therefore the specifications contained herein are subject to change without notice.**



OWNERSHIP REGISTRATION CARD

Please fill out and mail the product registration card within ten (10) days of purchase. The registration will enable us to contact you in the unlikely event of a product safety notification. By returning this card you acknowledge to have read and understood the instructions for use, and warnings set forth in the accompanying instructions.

RETURN TO FANTOM: 94 Main Mill Street, Door 16, Plattsburgh, NY 12901

Model PS46H			
Appliance model			
Date purchased		Name of store	
Owner's name			
Address	City	State	Zip Code

Printed in Italy

OPERATING INSTRUCTIONS

Maintenance & Cleaning

From time to time, you need to clean the patio scrubber. Clean the outer housing with a soft damp cloth.

To disassemble the patio scrubber, follow the following steps:

1. Turn the patio scrubber upside down on a flat surface.
2. Using the assembly disassembly tool, remove the rotor shaft. (Fig. 4)
3. Remove the rotor from the unit.
4. Using the assembly/disassembly tool, remove the rotor nozzles from the rotor. (Fig. 5)
5. Rinse everything under running water. (Fig. 5)
6. Once everything has been cleaned, re-assemble the patio scrubber making sure that the nylon washers are replaced in the appropriate places.

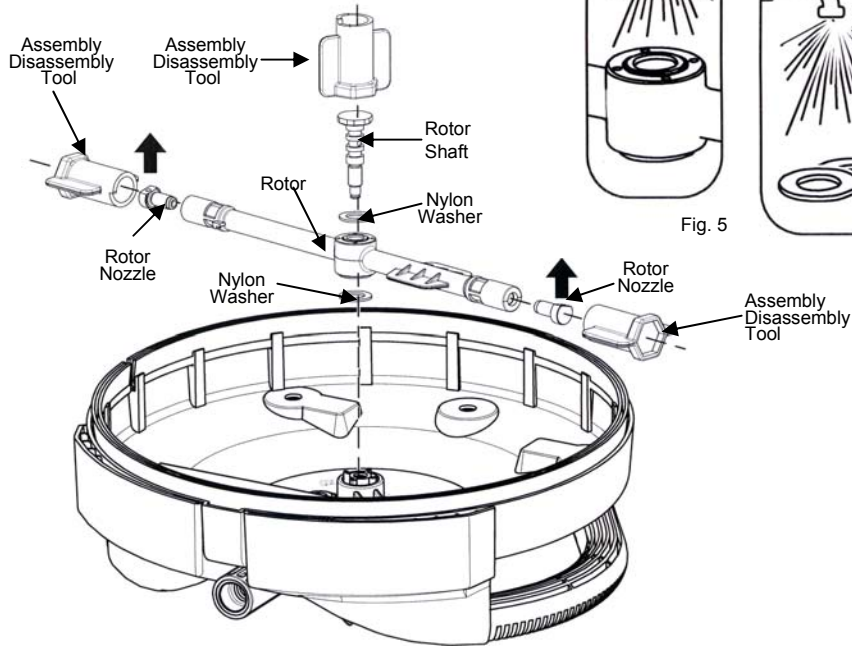


Fig. 4

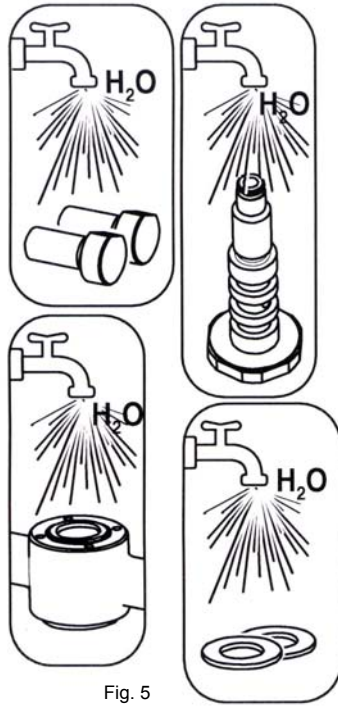


Fig. 5

SAFETY & WARNING INSTRUCTIONS

continued

WARNING

Do not use pressure that exceeds the operating pressure of any of the parts (hoses, fittings, etc.) in the pressurized system. Ensure that all equipment and accessories are rated to withstand the maximum working pressure of the unit.

WARNING

Explosion hazard.

- **NEVER** spray flammable liquids or use pressure washer in areas containing combustible dust, liquids or vapors.
- **NEVER** operate this machine in a closed building or in or near an explosive environment.

WARNING

Do not spray electrical apparatus or wiring.

- **NEVER** disconnect the high pressure discharge hose from the machine while the system is pressurized. To depressurize the machine, turn the power and water supply off, then press the gun trigger 2-3 times.
- **NEVER** permanently engage the trigger mechanism on the gun.
- **NEVER** operate the machine without all the components properly connected to the unit (handle, gun/lance assembly, nozzle, etc.).

WARNING

Equipment damage.

- **ALWAYS** turn water supply "ON" before turning the pressure washer "ON". Running pump dry causes serious damage.
- Do not operate the pressure washer with the inlet water screen removed. Keep screen clear of debris and sediment.
- **NEVER** operate pressure washer with broken or missing parts. Check equipment regularly and repair or replace worn or damaged parts immediately.
- Use only the nozzle supplied with this machine.
- Never leave the lance unattended while the machine is running.
- Never attempt to alter factory settings. Altering factory settings could damage the unit and will void the warranty.

- Always hold gun and lance firmly when starting and operating the machine.
- **NEVER allow the unit to run with the trigger released (OFF) for more than one minute. Resulting heat buildup will damage pump.**
- **NEVER** store the pressure washer outdoors or where it could freeze. The pump will be seriously damaged.
- Release trigger when changing from high to low pressure modes. Failure to do so could result to damage to the nozzle.
- This unit must always be used in the horizontal position.

CAUTION

Keep hose away from sharp objects. Bursting hose may cause injury. Examine hoses regularly and replace if damaged. Do not attempt to mend a damaged hose.

EXTENSION CORDS

! DANGER

If using an extension cord, use only grounded, three wire extension cords that are in good condition. Use only extension cords that are intended for outdoor use. These extension cords are identified by a marking "Acceptable for use with outdoor appliances; store indoors while not in use." use only extension cords having an electrical rating not less than the product. Do not use damaged extension cords. Examine extension cord before using and replace if damaged. Do not abuse extension cord and do not pull on the cord to disconnect. Keep cord away from heat and sharp edges. Always disconnect from the receptacle before disconnecting the product from the extension cord.
Note: Do not use 16 or 18 AWG extension cords on this product.

! DANGER

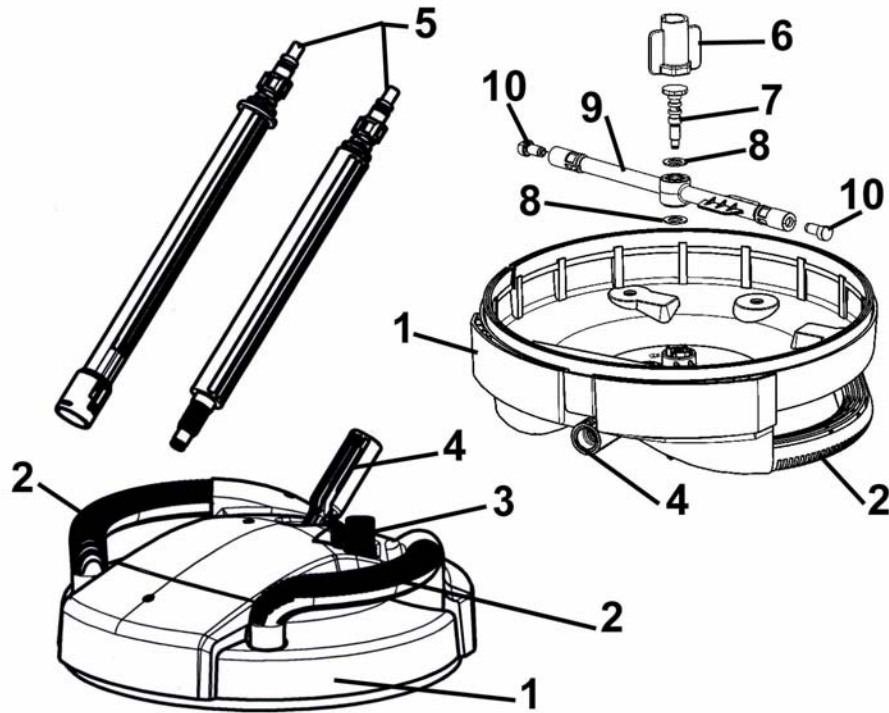
Failure to follow these instructions can result in serious injury, including death.

! WARNING

To reduce the risk of electrocution, keep all connections dry and off the ground. Do not touch the plug with wet hands.

Extension Cord	Allowable Length	
	25'	50'
14 AWG	YES	NO
12 AWG	YES	YES

GETTING TO KNOW YOUR PATIO SCRUBBER



- | | |
|-------------------------|------------------------------|
| 1. Main Unit | 6. Assembly/Disassembly Tool |
| 2. Handle | 7. Rotor Shaft |
| 3. Flow Regulator Lever | 8. Nylon Washer (x2) |
| 4. Elbow | 9. Rotor |
| 5. Extension Lance (x2) | 10. Rotor Nozzle (x2) |

Illustrations may differ from actual product.

OPERATING INSTRUCTIONS

Suitable Uses for Your Patio Scrubber

The patio scrubber may be used for cleaning horizontal patio decks, vertical wood, siding and brick walls. It can be used on tile, concrete stone or wood. This patio scrubber is suitable for household use only. The working temperature must range between 40°F and 120 °F. The patio scrubber may be used with either one or both of the extension lances. The water that you use must not be dirty, sandy or contain any corrosive chemical products. With the detergent tank/bottle, the pressure washer can be used to apply a thick coating of aerated detergent to the areas being cleaned. When using the patio scrubber with the pressure washer we recommend the use of personal safety items to reduce the risk of accidental injury.



Unpacking Your Patio Scrubber

After you open the package, check to make sure that all the parts are in the box as per parts that are illustrated on page 3 of this guide. If you have any questions, call FANTOM customer service at 1-800-798-7398. Keep all small and potentially harmful parts of the packaging (plastic bags, foamed polystyrene, nails, etc.) out of the reach of children.

Operating the Patio Scrubber

- Place the pressure washer in a safe area and on a horizontal surface.
- When using the patio scrubber on a horizontal surface, use both extension lances.
- Hold the trigger gun firmly with one hand on the handle and the other hand holding the high pressure hose. (Fig. 1)

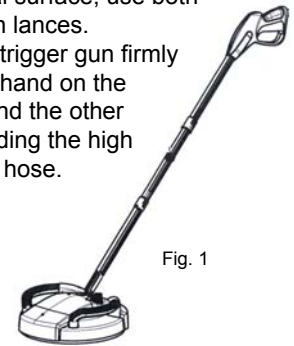


Fig. 1

- When using the patio scrubber on a vertical surface, use only one of the extension lances.
- Hold the trigger gun firmly with one hand on the handle and the other on the handle on the main unit. (Fig. 2)

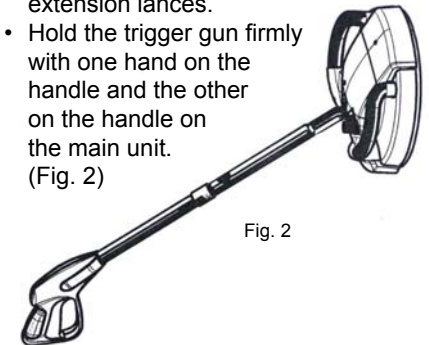


Fig. 2

- To regulate the water pressure, move the flow regulator lever to the left or to the right depending on what you desire. (Fig. 3)

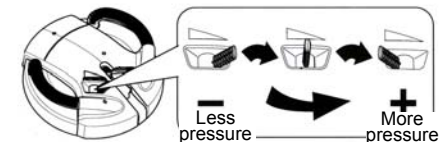


Fig. 3

Free Manuals Download Website

<http://myh66.com>

<http://usermanuals.us>

<http://www.somanuals.com>

<http://www.4manuals.cc>

<http://www.manual-lib.com>

<http://www.404manual.com>

<http://www.luxmanual.com>

<http://aubethermostatmanual.com>

Golf course search by state

<http://golfingnear.com>

Email search by domain

<http://emailbydomain.com>

Auto manuals search

<http://auto.somanuals.com>

TV manuals search

<http://tv.somanuals.com>