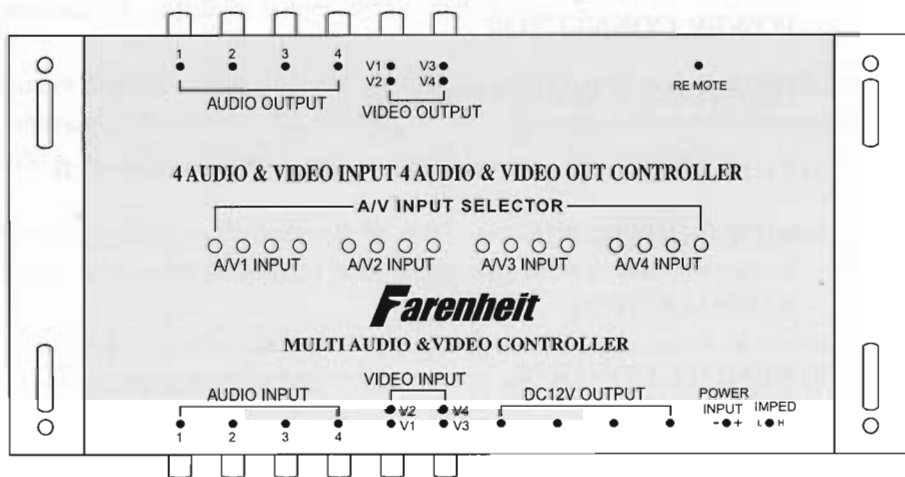


Fahrenheit

MULTI AUDIO/VIDEO CONTROLLER 4 VIDEO & AUDIO INPUTS 4 VIDEO & AUDIO OUTPUT WITH IR REMOTE CONTROL



MODEL:AVIR-4 OWNER'S MANUAL

TABLE OF CONTENTS

1. PERCAUTIONS	2
2. FEATURES	3
3. FUNCTIONS	4
1) EXTERNAL OVERVIEW	4
2) FUNCTION OF A/V INPUT SIDE	5
AUDIO INPUT	
VIDEO INPUT	
POWER CONNECTOR	
IMPEDANCE SELECTING SWITCH	
3) FUNCTIONS OF A/V OUTPUT SIDE	6
VIDEO OUTPUT	
VUEIO OUTPUT	
4) REMOTE CONTROL	7
4. SINGLE/MULTI APPLICATION	8
1) SINGLE-UNIT APPLICATION	8
2) MULTI-UNIT PAEALLEL APPLICATION	9
5.SPECIFICATIONS	10

PRECAUTIONS

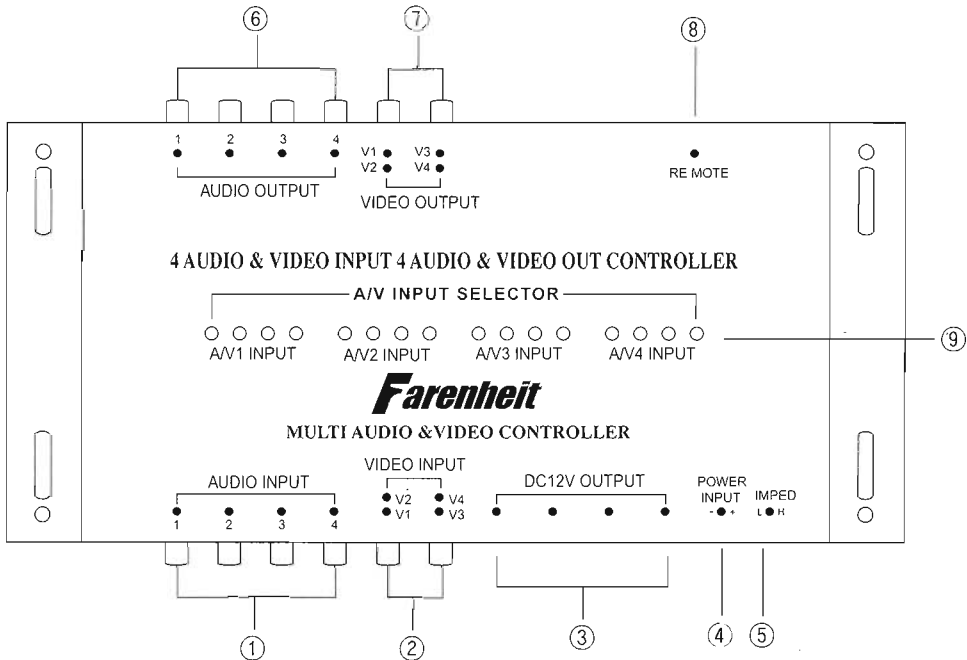
- Thank you for your purchasing our product. To use this product safely and efficiently, be sure to read this manual before you install and use it. And retain this manual for your future referene.
- This product is specially designed to collect 4 individual A/V source and distributes to 4 different A/V outputs by operating at DC 12V~ DC 24V.
- The best opration can be obtained only after exact connections of the power connectors/controller units as shown in this manual.
- Install the built-in remote control unit where you can operate it and keep this remote control out of dirctct rays of sun. And,for safety purpose,surely disconnect the ground terminal of car battery before starting installation.
- Do not disassemble or modify the product ,as it may cause serious accident,fire,electric shock,etc.. Do not use this product for any other application with the exception of showing in this manual.
- When installing on the automobile, do not set up the product where it may interrupt driver or damage passengers in an abrupt stop or an sudden emergency.
- Any foreign materials such as water, metal parts or drinks inside of this product may cause serious defects or fire.
- Do not operate this product while driving,for safety purposes.

FEATURES

- This is a new high technology micom-controlled/parallel applicable multi A/V control system device.
- Individual 4 VIDEO & AUDIO input-source connection.
- Individual 4 VIDEO & 4 AUDIO output-display connection.
- 4 A/V outputs can be selected input signals independently.
(Each random selection among 4 individual A/V sources).
- Parallel application facility for maximum 60 A/V output.
(Parallel connectable max. 20 units for 60 A/V output).
- Wide operation power-range DC 11~30V for using in a passenger vehicle and/or tourist coach buses without and power coneverter for DC 24V buses.
- 1. standard package contains of :
 - main-unit 1
 - owner's manual 1
 - IR remote controller 1
 - BATTERY (RO3, AAA, UM-4 SIZE) 2
 - REMOTE SENSER 1
 - Jumper wire power connector 2
 - Power Connector Wire 1
 - Fixing screws & washers kit 1

FUNCTIONS

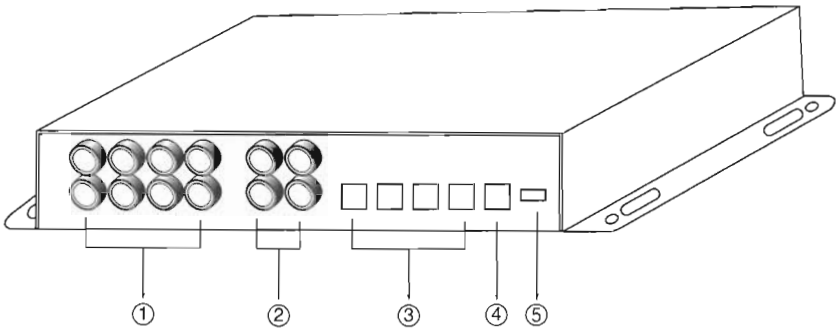
1. EXTERNAL OVERVIEN



- (1) AUDIO INPUT (RCA Jack)
- (2) VIDEO INPUT (RCA Jack)
- (3) POWER CONNECTOR DC 12V OUT
- (4) POWER CONNECTOR DC IN
- (5) IMPEDANCE SELECTING SWITCH
- (6) AUDIO OUTPUT (RCA Jack)
- (7) VIDEO OUTPUT (RCA Jack)
- (8) IR REMOTE SENSOR JACK
- (9) INPUT INDICATOR

FUNCTIONS

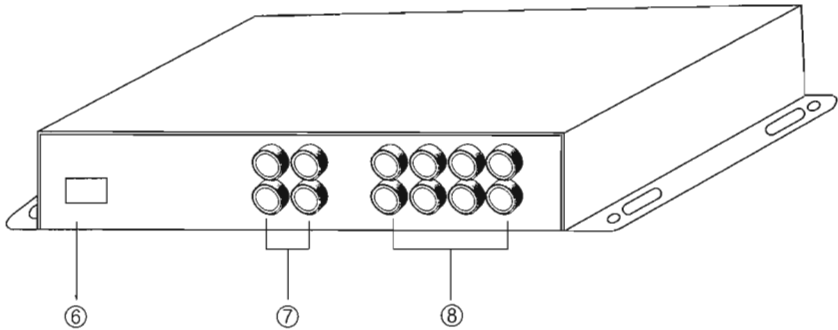
2. FUNCTIONS OF A/V INPUT SIDE



- (1) **AUDIO INPUT : 8RCA Jacks for input.**
- (2) **VIDEO INPUT : 4RCA Jacks for input.**
- (3) **POWER CONNECTOR : DC 12V OUT**
when your using two or more distributors,
you can use DC 12V out with connector.
- (4) **POWER CONNECTOR : DC 12V IN**
for single application, connect red wire to DC 12V
and connect black wire to ground
- (5) **IMPEDANCE SELECTING SWITCH**
for parallel applicotion by connecting A/V selector, "IMP"
switch of the first and last A/V selector must be
switched to "L" position. and the "IMP" switches of
all the other A/V selectors must be set at "H" positions.

FUNCTIONS

3. FUNCTIONS OF A/V OUTPUT SIDE



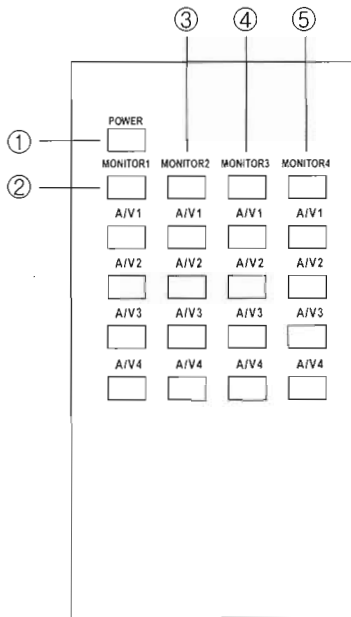
(1) IR REMOTE SENSOR JACK : connect Ir remote sensor.

(2) VIDEO OUTPUT : 4 RCA Jacks for video output.

(3) AUDIO OUTPUT : 8 RCA Jacks for audio output.

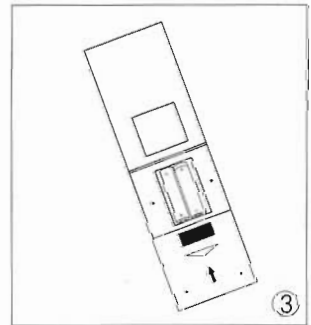
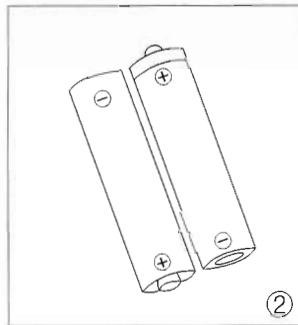
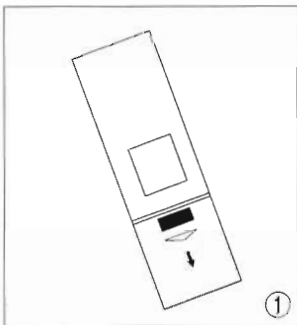
FUNCTIONS

4. REMOTE CONTROLLER



- ① POWER : ON, OFF KEY
- ② VIDEO1 : SELECTOR KEY
- ③ VIDEO2 : SELECTOR KEY
- ④ VIDEO3 : SELECTOR KEY
- ⑤ VIDEO4 : SELECTOR KEY

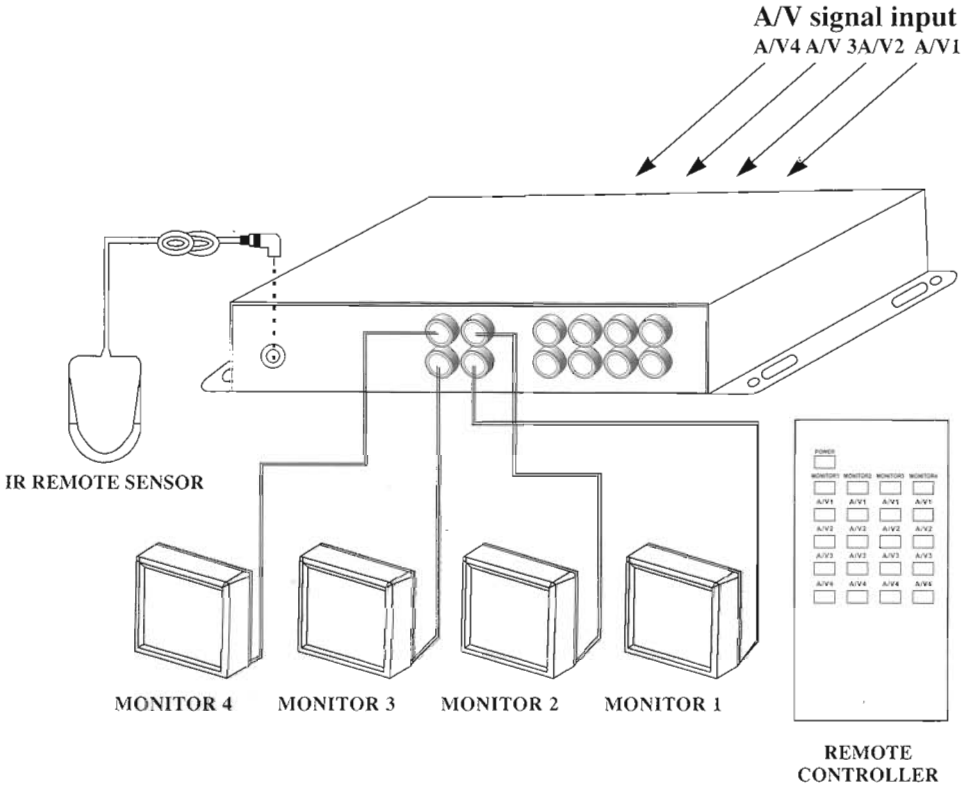
● How to replace the battery in the remote controller



※ Please confirm the polarity of batteries and do not change it

SINGLE/MULTI APPLICATION

1. SINGLE-UNIT APPLICATION

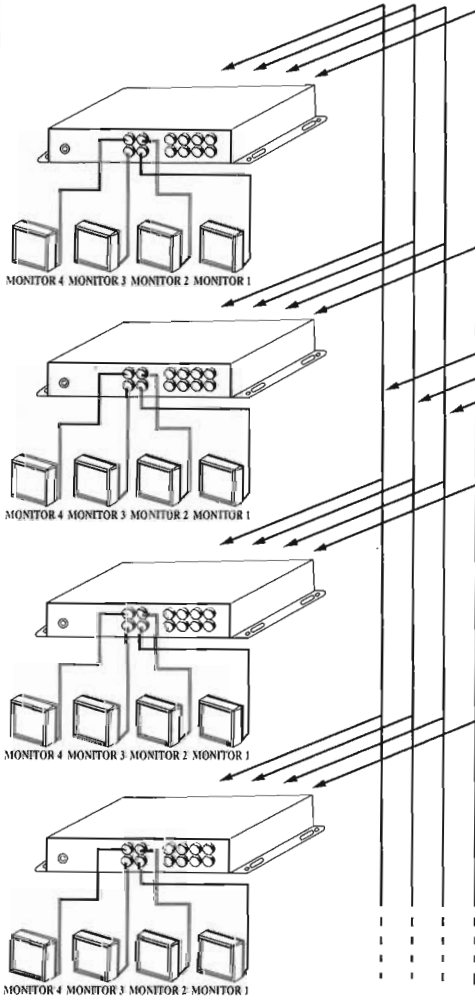


NOTE:

- (1) "IMP" switch must be set at "L" position(Low Impedance).
- (2) To USE The Remote Control, the power button to turn on the remote.
- (3) Please the VIDEO 1, 2, 3, 4(AV1, AV2, AV3, AV4) Button to select, The source to be controlled by the remote.

SINGLE/MULTI APPLICATION

2. MULTI-UNIT PARALLEL APPLICATION



- (1) Max 20 units can be installed in parallel.
(Max 60 A/V outputs)
- (2) The installation of each A/V Selector is same of single application.

- (3) "IMP" switch of the first A/V selector must be set at "L" position ("L" : Low Impedance) and the "IMP" switch of the other A/V selector units must be set at "H" position. ("H" : High impedance).

NOTE :

In parallel application with more than 5 unit, maybe need to supply more current power by connecting power connector from car battery.

SPECIFICATIONS

POWERE SOURCE	DC 12V/24V
OPERATING VOLTAGE	DC11V/30V
POWERE CONSUMPTION	4WMax
VIDEO BAND WIDTH	10 MHz
AUDIO BAND WIDTH	15KHz
IMPEDANCE OF VIDEO INPUT	75ohm
IMPEDANCE OF AUDIO INPUT	8.2K ohm
OPERATING TEMPERATURE	-5 °C ~+60 °C
STORAGE TEMPERATURE	-30 °C ~+80 °C
OPERATING HUMIDITY	85% RH
STORAGE HUMIDITY	85% RH
DC OUTPUT(Total 4 outputs)	3A Max
DIMENSIO(TOP PART)	240 × 110 × 38mm

N.B. : *The above specification shall be modified by manufacturer for improving quality and performance without prior notice.*

Free Manuals Download Website

<http://myh66.com>

<http://usermanuals.us>

<http://www.somanuals.com>

<http://www.4manuals.cc>

<http://www.manual-lib.com>

<http://www.404manual.com>

<http://www.luxmanual.com>

<http://aubethermostatmanual.com>

Golf course search by state

<http://golfingnear.com>

Email search by domain

<http://emailbydomain.com>

Auto manuals search

<http://auto.somanuals.com>

TV manuals search

<http://tv.somanuals.com>