

# FEDDERS®

## Room Air Conditioners for Double-Hung Windows

## Acondicionadores de aire ambientales para ventanas de guillotina

## Climatiseur d'air individuel pour fenêtres à guillotine

### ENGLISH

Important Safety Instructions .....	1
Installation.....	2
Operation .....	4
Maintenance .....	5
Warranty.....	7

### ESPAÑOL

Instrucciones importantes de seguridad .....	8
Instalación .....	9
Funcionamiento .....	11
Mantenimiento .....	12
Garantía.....	14

### FRANÇAIS

Directives de sécurité importantes .....	15
Installation.....	16
Utilisation .....	18
Maintenance .....	19
Garantie.....	21

#### For Future Reference

Write down the model and serial numbers  
The model and serial numbers can be found on the side of the cabinet near the control panel. Use these numbers in any correspondence or service calls concerning your air conditioner.

#### Para referencia futura

Escriba el número de modelo y de serie  
El número de modelo y de serie se encuentran en el costado del gabinete cerca del panel de control. Use estos números en toda la correspondencia o llamadas de servicio relacionadas con su acondicionador de aire.

#### Pour consultation ultérieure

Inscrivez les numéros de modèle et de série  
Noter ci-contre les numéros de modèle et de série (on les trouve sur le côté de la grille décorative avant, près du tableau de commande). Communiquer ces numéros lors de toute correspondance ou appel au service après-vente ayant trait au climatiseur.

\_\_\_\_\_  
*Model No., No. de Modelo, N° de modèle*

\_\_\_\_\_  
*Serial No., No. de Serie, N° de série*

\_\_\_\_\_  
*Date of Purchase, Fecha de Compra, Date d'achat*

#### For additional questions please call

1-217-347-6459

or e-mail: [customerservice@fedders.com](mailto:customerservice@fedders.com)

#### Para mayor información por favor llame al

1-217-347-6459

o envíe correo electrónico a:  
[customerservice@fedders.com](mailto:customerservice@fedders.com)

#### Pour d'autres questions :

1.217.347.6459

ou courriel : [customerservice@fedders.com](mailto:customerservice@fedders.com)

# Room Air Conditioner

## Power Cord with Arc Detection Device

The power cord supplied with this air conditioner is equipped with an Arc Detection Device designed to shut off power to the unit when it senses an arc fault condition. An arc fault is an unintentional electrical discharge that occurs when electrical products or wires are damaged, aged, or improperly used. An arc fault can be potentially hazardous if left undetected.



### WARNING



- Do not remove or modify this plug
- Do not use as an on/off switch
- Do not use outdoors
- Do not push furniture against or place furniture on the electrical cord. This can trip the test switch and/or damage the cord and become a potential condition for arcing
- Do not attempt to repair the cord. If the cord requires replacement, call an authorized servicer.
- The Arc Detection Device is not a Ground Fault Interrupter and should not be used as such
- The Arc Detection Device contains an electronic circuit board and should not be submerged or exposed to water spray

### Resetting

If the Arc Detection Device has tripped, the reset button will pop up.

Follow these steps to reset the Arc Detection Device:

1. Unplug unit from electrical outlet
2. Press the reset button
3. Plug the unit back into electrical outlet
4. Check to see if power has returned to the unit

### Testing

You should test the Arc Detection Device equipped power cord monthly, after every major electrical storm, or if power to your Room Air Conditioner has been interrupted.

Follow these steps to test the Arc Detection Device:

1. Unplug unit from electrical outlet
2. Press the reset button
3. Plug the unit back into electrical outlet
4. Press test button.

Unit should trip and reset button will pop up.

5. Press reset button again for use  
If above test fails, stop using the air conditioner and contact customer service by calling the following toll-free number:  
1-800-332-6658  
or email: [customerservice@fedders.com](mailto:customerservice@fedders.com)



### WARNING



Do not operate this air conditioner without proper time delay circuit protection (circuit breaker or fuse). Refer to serial plate for proper power supply requirements.

### Recommended Wire Sizes

(As installed per building code) :

#### PROTECTOR SIZE WIRE GAUGE

- 15 AMP #14 MINIMUM
- 20 AMP #12 MINIMUM
- 30 AMP #10 MINIMUM



125V  
15A



250V  
20A



250V  
15A



250V  
30A



### WARNING



### Electrical Shock Hazard



- Plug unit only into a grounded electrical outlet.
- Do not use an extension cord or plug adapter with this unit.
- Do not operate unit with decorative front or filter removed.
- Failure to follow these precautions could result in electrical shock, fire or personal injury.
- If the air conditioner has a serial plate rating of 115 volts and greater than 7.5 amps, it must have its own fuse or circuit breaker, and no other device or unit should be operated on that fuse or circuit breaker.
- If the air conditioner has a serial plate rating of 230 volts, it must have its own fuse or circuit breaker, and no other device or unit should be operated on that fuse or circuit breaker.
- We recommend that a qualified electrician install unit in accordance with the National Electrical Code and local codes and ordinances.
- Use copper conductors of correct wire gauge and protector size only.
- Do not alter cord or plug end. Do not remove warning label on cord.

### Important Grounding Requirements

- Air conditioner has a three-prong grounding plug on the power supply cord, which must be plugged into a properly grounded three-prong wall receptacle for your protection against possible shock hazard. For models up to and including 7.5 amperes, use a grounding type wall receptacle to match the cord plug.
- For models above 7.5 amperes use a single outlet grounding type wall receptacle to match the cord plug.

# Room Air Conditioner




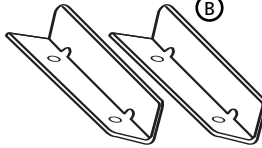

## Additional Safety Precautions

- **Do not** cut, alter or remove any of the expanded polystyrene (styrofoam) inside this air conditioner.
- **Do not** store or use gasoline or other flammable vapors and liquids in the vicinity of this or any other appliance. The fumes can create a fire hazard or explosion.
- **Do not** introduce objects in the air discharge area. This could cause permanent damage.
- **Do not** pour liquids on the air conditioner as this could cause a malfunction. With the unit unplugged, use a damp cloth for cleaning the unit.
- **Do not** use strong solvents to clean the air conditioner.
- Clean the air conditioner filter every two weeks to avoid overheating caused by air obstruction. Do not operate without filter.
- **Do not** obstruct the air intake area of your air conditioner, as this could cause overheating, thus activating the unit's security switch and shutting off the unit.
- **Do not** block air circulation to outside louvers of cabinet.
- **Do not** block air flow inside with blinds, curtains, or furniture, or outside with shrubs, enclosures, or other buildings.
- **Do not** run the air conditioner with an outside protective cover in place. This could result in fire or mechanical damage within the air conditioner.

## Window Requirements

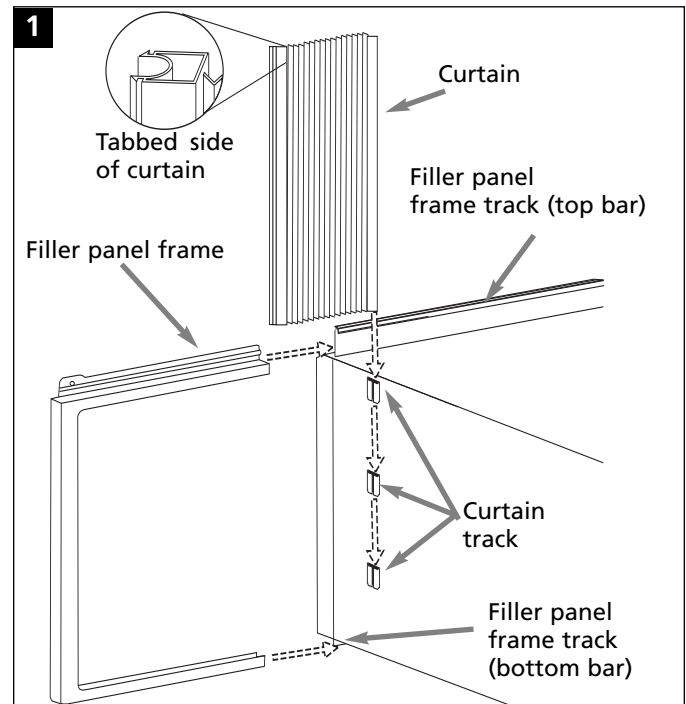
Air conditioner is factory prepared for installation in standard double hung windows (air conditioner cannot be installed in other types of windows). The air conditioner can be installed in windows 23" to 34" wide when filler panels are used. In windows 19" to 22" wide the air conditioner can be installed without the filler panels. All windows must open at least 12 3/4" vertically.

Install the air conditioner in a window where there will be enough clearance around the cabinet to allow ample circulation of air through unit. All supporting parts should be secured to firm wood, masonry, or metal.

Tools Needed	Installation Parts Kit
 Screwdrivers	 (A) 5/8" wood screws .....9
 Tape Measure	 (B) Brackets .....2
 Carpenter's Level	

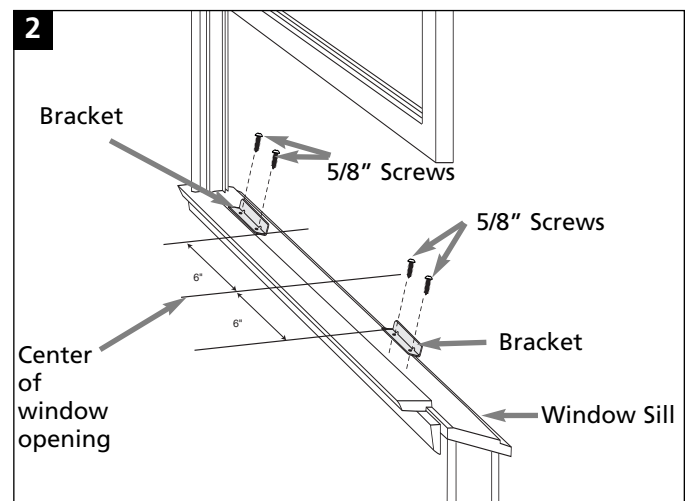
## Filler Panel Installation

1. Place tabbed side of curtain in track on side of air conditioner cabinet, and slide down the track until the curtain is even top and bottom (Fig.1).
2. Slide the filler panel frame onto the air conditioner cabinet using the tracks on the top and bottom of the unit. Slide the frame as close to the air conditioner as possible so that the curtain locks into place. Gently pull the frame out until it is the correct length for your application.



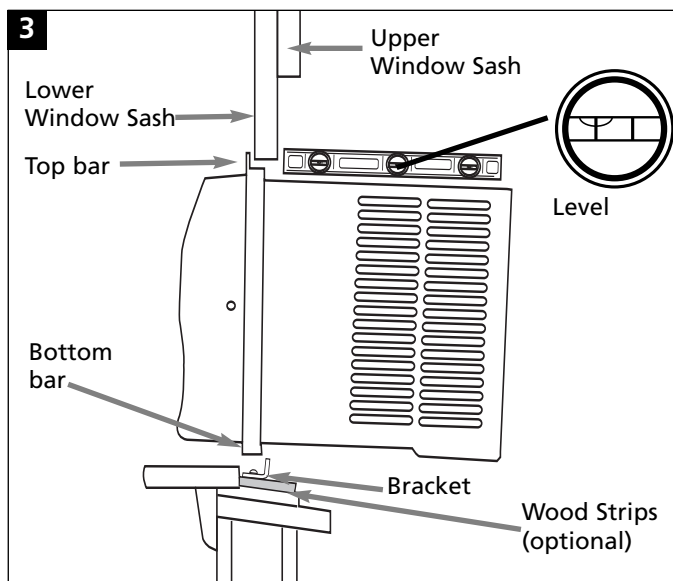
## Installation in window 23" to 34" wide

1. Open and mark center line of window. Measure and mark 6" to the right of the center line and 6" to the left of the center line (Fig. 2).
2. Place bracket so that the inside edge rests on the appropriate 6" mark. Secure brackets with two (2) 1" long wood screws (Fig. 2).



# Room Air Conditioner

3. To overcome storm window interference, securely attach 2" wide wood strips to the window stool and sill, with screws. Strips should be as long as window opening and flush with back side of stool. Thickness of strips should be controlled by amount of interference (Fig. 3).
4. Keeping a firm grip on air conditioner, carefully center air conditioner in window opening with the bottom bar between the window stool and the angle bracket. Air conditioner should slant slightly downward on the outside as shown by half a bubble off on a carpenter's level. This outward pitch prevents water from entering the room (Fig. 3).
5. Close the window until it touches behind air conditioner top bar. Slide filler panels outward until they touch window sash tracks. (Do not release grip on air conditioner until lower window sash is in final position) (Fig. 3).



6. Secure top of filler panels by driving 5/8" long wood screws into window sash through mounting holes in top slides.
7. Secure bottom of filler panels by driving 5/8" long screws into window sill through filler panel tabs.

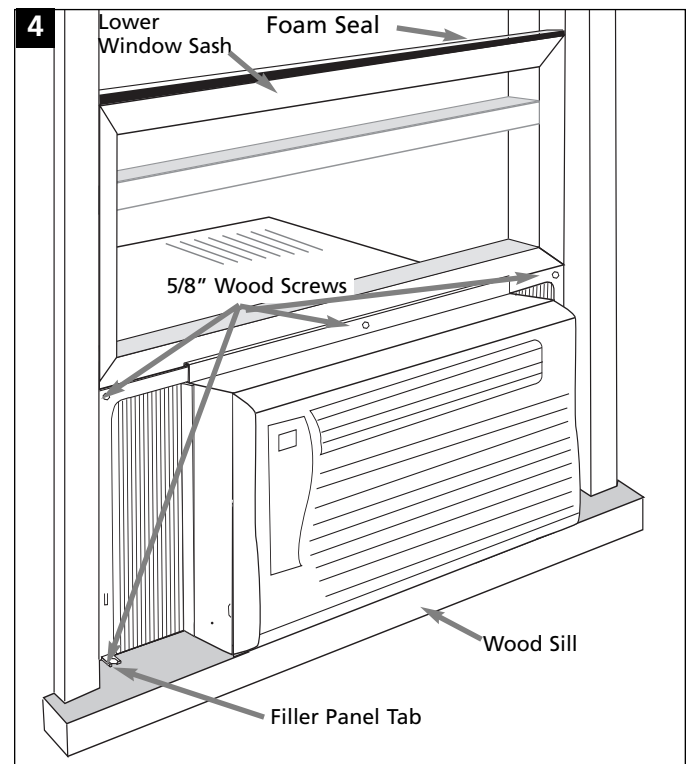
8. Cut foam seal to width of window and install between upper and lower window sash (Fig. 4).

Caution: Do not drill a hole in bottom pan. Unit is designed to operate with approximately 1/2" of water in bottom pan.

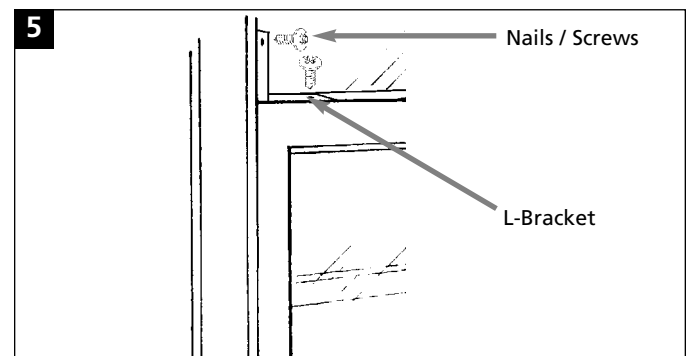
## Installation in window 19" to 22" wide

(Do not attach filler panels for this application)

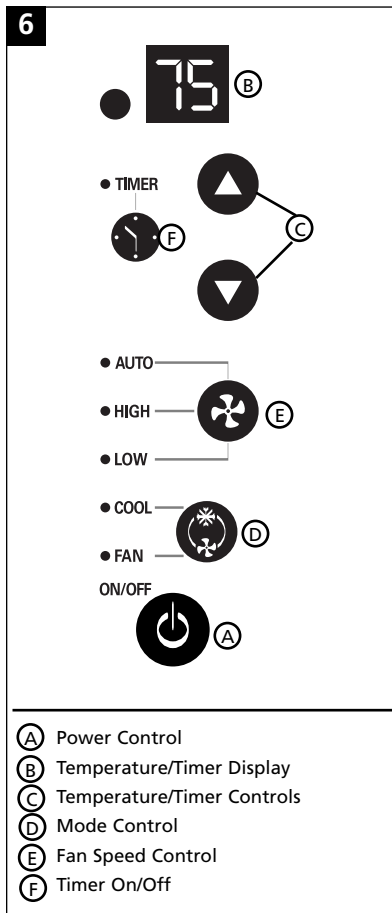
1. Refer to steps 1 and 2 of preceding instructions.
2. Close window until it touches behind top bar (Fig. 4).



3. Fasten lower window sash to window frame using finishing nails, wood screws, or "L" brackets (Fig. 5).
4. If filler is required on sides of air conditioner, cut foam seal to size and fill both sides.
5. Cut foam seal to width of window and install between upper and lower window sash (Fig. 4).



## ELECTRONIC CONTROL PANEL



### Power Control

The Power Control turns the unit on and off.

### The Temperature/Hour Display

Shows the set temperature or the timer setting. THE TEMPERATURE DISPLAY ONLY SHOWS THE SET TEMPERATURE, NOT THE ACTUAL ROOM TEMPERATURE.

### Temperature/Hour Controls

These buttons are used to raise or lower the set temperature in increments of 1° from 66° to 88°. They also raise or lower the hour setting in increments of 1 from 00 to 24 when the timer is being set. In order to toggle between °F or °C, depress both of the controls at the same time.

### Mode Control

The Mode Control has two settings: FAN and COOL.

The settings are adjusted with the Mode Control button. A green light indicates which setting is currently being used. When the COOL mode is selected, the unit will circulate and cool the air.

If the FAN mode is selected, the unit will only circulate the air.

### Fan Speed Control

The Fan Speed Control has three settings: High, Low and Auto. The settings are adjusted with the Fan Speed button, each time the button is depressed it changes the setting. A green light will indicate which setting is currently being used.

When the Auto feature is selected while the air conditioner is in the COOL mode, the fan speeds will change automatically as the temperature in the room changes.

- 4° or more above the set temperature the unit will be in HI FAN mode.
- 4° or less above the set temperature the unit will be in LO FAN mode.

### Timer Control

The timer can be set to either turn the unit on or off.

#### To turn the unit on using the Timer:

- Depress the timer key when the power is off, the display will read 00. Adjust to the desired number of hours before TURN ON using the up/down arrows.
- The display will show the time by hours left until TURN ON.
- To Turn the timer off, depress the timer key.
- A green light next to the Timer Control indicates that the timer is set.

#### To turn the unit OFF using the Timer:

- Depress the timer key when the power is on, the display will read 00. Adjust to the desired number of hours before TURN OFF using the up/down arrows. The display will automatically go back to the set temperature after 10 seconds.
- To display the amount of time left until TURN OFF, depress the timer button once.
- To turn the TIMER OFF, depress the timer button twice.
- A green light next to the Timer Control indicates that the timer is set.

Built-in three minute timing delay.

If this electronic unit will not respond to touch pad or remote control commands, it is necessary to unplug the unit from the electrical outlet for five seconds and then plug the unit back in.

Auto restart feature:

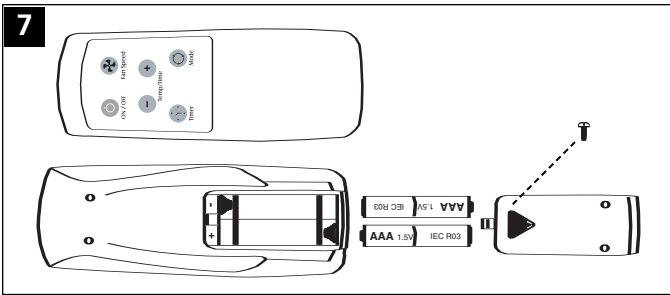
In the event of a power failure, this feature allows the unit to resume operation once power has been restored, retaining the most recent settings. Upon restoration of power, the timer mode may need to be reset if being utilized.

## Air Conditioner Remote Control

The functions work the same as your air conditioner's touch controls.

**CAUTION**

- Use only AAA or IEC R03 1.5V batteries.
- Remove the batteries if the remote controller is not used for a month or longer.
- Do not attempt to recharge the supplied batteries
- All batteries should be replaced at the same time.
- Do not dispose of the batteries in a fire as they may explode.
- Do not mix old and new batteries.
- Do not mix alkaline, standard (carbon - zinc), or rechargeable (nickel-cadmium) batteries.
- Do not install the batteries with the polarity (+/-) reversed.
- Keep batteries and other things that could be swallowed away from young children. Contact a doctor immediately if an object is swallowed.

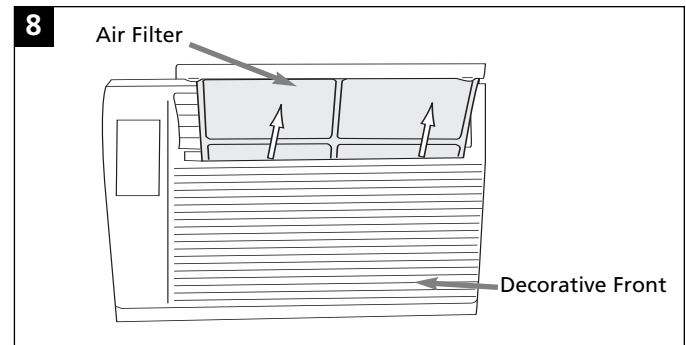


## Cleaning the Air Filter

Every two weeks: Clean the Filter

1. Turn power to OFF.
2. Remove the air filter by grasping the top corners and pulling it up and out of the unit (Fig. 8).
3. Wash in hot soapy water, rinse and shake dry.
4. Replace the filter, with the front of the filter toward you.
5. To dry the filter thoroughly, run your unit for a few minutes. Remember, only a clean filter works properly and delivers top efficiency at every setting.

Proper use and care of your air conditioner will help ensure longer life of the unit. It is recommended to have the unit inspected annually, as well as having the coils and condensate water passages cleaned. Expense of the annual inspection is the consumers' responsibility.

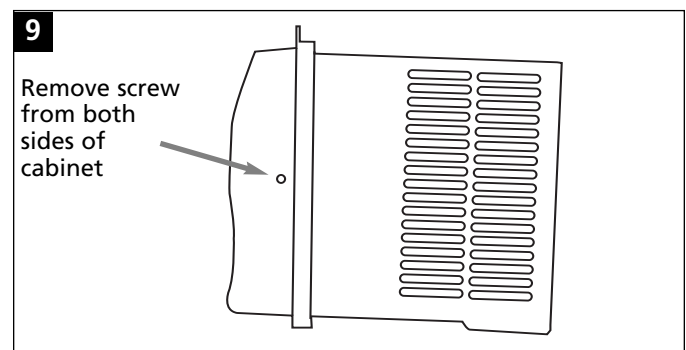


Note: Failure to keep air filter clean will result in poor air circulation.

DO NOT operate without filter. This can render the unit inoperable.

## Decorative Front Removal

1. Turn the unit off and remove the plug from the outlet.
2. Remove the screws on either side of the cabinet (Fig. 9).
3. Gently pull forward while grasping both sides of the decorative front.
4. To replace the decorative front, line up the top and bottom and sides, and gently press into position.
5. Reattach the screws on both sides of the decorative front. Make sure the decorative front is secure before reconnecting the plug and operating the unit.



## Troubleshooting Guide

To save time and expense, check the following before calling an authorized service station.

Occurrence	Possible Cause	Solutions
Air conditioner will not operate	<ul style="list-style-type: none"> <li>• Wall plug disconnected.</li> <li>• House fuse blown or circuit breaker tripped.</li> <li>• Unit turned off and then on too quickly.</li> <li>• Thermostat set too low for cooling.</li> </ul>	<ul style="list-style-type: none"> <li>• Push plug firmly into wall outlet.</li> <li>• Replace fuse with time delay type or reset circuit breaker.</li> <li>• If air conditioner is turned off, wait 3 minutes before restarting.</li> <li>• Adjust thermostat to higher setting for cooling.</li> </ul>
Air from unit does not feel cold enough	<ul style="list-style-type: none"> <li>• Thermostat set too warm.</li> <li>• Room temperature below 70°F.</li> </ul>	<ul style="list-style-type: none"> <li>• Set thermostat to colder temperature.</li> <li>• Cooling may not occur until room temperature rises above 70°F.</li> </ul>
Air conditioner cooling, but room is too warm — ice forming on cooling coil behind decorative front	<ul style="list-style-type: none"> <li>• Outdoor temperature below 70°F.</li> <li>• Dirty air filter — air restricted.</li> </ul>	<ul style="list-style-type: none"> <li>• To defrost the coil set thermostat to warmer position.</li> <li>• Clean filter. See "Cleaning the Air Filter" section.</li> </ul>
Air conditioner cooling, but room too warm — NO ice forming on cooling coil behind decorative front	<ul style="list-style-type: none"> <li>• Dirty air filter — air restricted.</li> <li>• Thermostat set too warm.</li> </ul>	<ul style="list-style-type: none"> <li>• Clean air filter. Refer to "Cleaning Air Filter" section.</li> <li>• Set thermostat to colder setting.</li> </ul>
Noise when unit is cooling	<ul style="list-style-type: none"> <li>• Air movement sound.</li> <li>• Sound of fan hitting water-moisture removal system.</li> <li>• Window vibration — poor installation.</li> </ul>	<ul style="list-style-type: none"> <li>• The sound of rushing air is normal. If too loud, turn selector to lower fan setting.</li> <li>• This is normal when humidity is high. Close doors, windows and registers.</li> <li>• Refer to installation instructions — check with installer.</li> </ul>
Water dripping inside when unit is cooling	<ul style="list-style-type: none"> <li>• Improper installation.</li> </ul>	<ul style="list-style-type: none"> <li>• Tilt air conditioner slightly to the outside to allow water drainage. Refer to installation instructions — check with installer.</li> </ul>
Water dripping outside when unit is cooling	<ul style="list-style-type: none"> <li>• Unit removing large quantity of moisture from humid room.</li> </ul>	<ul style="list-style-type: none"> <li>• This is normal during excessively humid days.</li> </ul>



## How to Obtain Warranty Service or Parts

Note: Before calling for service, carefully read this Installation and Operations manual.

### For Models Installed in North America :

First make the recommended checks in the Troubleshooting guide. Then, if you still need assistance:

1. Call a CareCo authorized servicer and advise them of model number, serial number, date of purchase and nature of complaint. Service will be provided during normal working hours. Contact your dealer for the name of an authorized servicer, if unknown to you.
2. If your dealer is unable to give you the name of a servicer or if you need other assistance, contact CareCo for the name of an authorized servicer.

You may contact CareCo by email:

**customerservice@fedders.com**

by calling the following toll-free number:

**1-800-332-6658**

or you may write:

**CareCo, Service Department**

**415 W. Wabash Ave., P.O. Box 200**

**Effingham, IL 62401**

### For Models Installed Outside North America :

For room air conditioners purchased for use outside North America, the manufacturer does not extend any warranty either expressed or implied. Consult your local dealer for any warranty terms extended by the importer in your country.

### Proof of Purchase Date

It is the responsibility of the consumer to establish the original purchase date for warranty purposes. We recommend that a bill of sale, cancelled check, or some other appropriate payment record be kept for that purpose.

## Room Air Conditioner Warranty

(Within the 48 contiguous United States, state of Hawaii, the District of Columbia, Puerto Rico, Mexico and Canada)

### Full (Five Year) Parts and Labor Warranty

During the five years after the date of original purchase, Fedders will, through its authorized servicers and free of charge to the owner or any subsequent user, repair or replace any parts which are defective in material or workmanship due to normal use. Ready access to the air conditioner is the responsibility of the owner.

Note: In the event of any required parts replacement within the period of this warranty, Fedders replacement parts shall be used and will be warranted only for the period remaining on the original warranty.

### Exceptions

The above warranty does not cover failure to function caused by damage to the unit while in your possession (other than damage caused by defect or malfunction), or by its improper installation, or by unreasonable use of the unit, including without limitation, failure to provide reasonable and necessary maintenance or to follow the written Installation and Operating Instructions. If the unit is put to commercial, business, rental, or other use or application other than for consumer use, we make no warranties, express or implied, including but not limited to, any implied warranty of merchantability or fitness for particular use or purpose.

THE REMEDIES PROVIDED FOR IN THE ABOVE EXPRESS WARRANTY ARE THE SOLE AND EXCLUSIVE REMEDIES THEREFOR, NO OTHER EXPRESS WARRANTIES ARE MADE. ALL IMPLIED WARRANTIES, INCLUDING BUT NOT LIMITED TO ANY IMPLIED WARRANTY OF MERCHANTABILITY OR FITNESS FOR A PARTICULAR USE OR PURPOSE, ARE LIMITED IN DURATION TO FIVE YEARS FROM THE DATE OF ORIGINAL PURCHASE. IN NO EVENT SHALL FEDDERS BE LIABLE FOR INDIRECT, INCIDENTAL, OR CONSEQUENTIAL DAMAGES, EVEN IF ADVISED IN ADVANCE OF THE POSSIBILITY OF SUCH DAMAGES. NO WARRANTIES, EXPRESS OR IMPLIED, ARE MADE TO ANY BUYER UPON RESALE.

Some states do not allow limitations on how long an implied warranty lasts or do not allow the exclusion or limitation of incidental or consequential damages, so the above limitations or exclusions may not apply to you. This warranty gives you specific legal rights, and you may also have other rights which may vary from state to state.



## Cordón con dispositivo de detección de arco eléctrico

El cordón eléctrico proporcionado con este acondicionador de aire viene equipado con un dispositivo de detección de arco eléctrico diseñado para apagar el suministro eléctrico a la unidad cuando detecta una condición de falla por arco eléctrico. Una falla por arco eléctrico es una descarga eléctrica accidental cuando los artefactos o cables eléctricos están dañados, son antiguos o no se han usado de manera adecuada. Una falla por arco eléctrico puede ser peligrosa si no se detecta a tiempo.

### ADVERTENCIA

- **No** retire o modifique este enchufe
- **No** lo utilice como un interruptor de encendido/apagado
- **No** lo use en el exterior
- **No** coloque muebles contra o sobre el cordón eléctrico. Esto puede disparar el interruptor de prueba y/o dañar el cordón, además de crear una condición potencial de arco eléctrico
- **No** intente reparar el cordón. Si necesita reemplazar el cordón, llame a un técnico de servicio autorizado
- El dispositivo de detección de arco eléctrico no es un interruptor de falla de conexión a tierra y no se debe usar como tal
- El dispositivo de detección de arco eléctrico contiene un tablero de circuitos electrónico y no se debe sumergir o exponer al agua

#### Restablecimiento

Si el dispositivo de detección de arco eléctrico se ha disparado, el botón 'RESET' (Restablecer) se levantará.

Siga los siguientes pasos para restablecer el dispositivo de detección de arco eléctrico:

1. Desenchufe la unidad del tomacorriente
2. Oprima el botón 'RESET' (Restablecer)
3. Enchufe la unidad nuevamente en el tomacorriente
4. Verifique que llega energía eléctrica a la unidad

#### Pruebas

Realice pruebas del dispositivo de detección de arco eléctrico una vez al mes, después de cada tormenta eléctrica grande, o si se ha interrumpido el suministro eléctrico al acondicionador de aire de habitación.

Siga los siguientes pasos para probar el dispositivo de detección de arco eléctrico:

1. Desenchufe la unidad del tomacorriente
2. Oprima el botón 'RESET' (Restablecer)
3. Enchufe la unidad nuevamente en el tomacorriente
4. Oprima el botón de prueba. El dispositivo debe dispararse y el botón 'RESET' (restablecer) debe levantarse.
5. Oprima el botón 'RESET' (Restablecer) nuevamente para activar la unidad

Si la prueba anterior falla, deje de usar el acondicionador de aire y póngase en contacto con servicio al cliente llamando al siguiente número gratuito:

**1-800-332-6658** o por correo electrónico a: **customerservice@fedders.com**

### ADVERTENCIA

#### Riesgo de Choque Eléctrico

- Enchufe el aparato **solamente** en un tomacorriente eléctrico puesto a tierra.
- Con este aparato **no use** un cordón de extensión ni un adaptador de enchufe.
- **No** haga funcionar el acondicionador de aire sin el panel delantero.
- **El incumplimiento de estas precauciones pueden causar un choque eléctrico, incendio o lesión personal.**
- Si el acondicionador de aire tiene una potencia nominal indicada en la placa de serie de 115 voltios y de más de 7,5 amperes, es necesario que sea protegido con su propio fusible o disyuntor y ningún otro dispositivo debe usar ese mismo disyuntor o fusible. Si el acondicionador de aire tiene una potencia nominal en la placa de serie de 230 voltios, es necesario que sea protegido con su propio fusible o disyuntor y ningún otro aparato debe usar ese mismo disyuntor o fusible.
- Recomendamos que un electricista calificado instale el acondicionador de aire de acuerdo con el código eléctrico nacional y los códigos y reglamentos locales.
- Use solamente conductores de cobre y fusibles de calibre y capacidad adecuada.
- **No** modifique el cordón ni el enchufe del extremo. **No** retire la etiqueta de advertencia del cordón de alimentación.

#### Requerimientos Importantes para la Puesta a Tierra

- El cordón de alimentación del acondicionador de aire tiene un enchufe de tres clavijas con puesta a tierra el cual debe ser enchufado en un tomacorriente mural puesto a tierra de tres alvéolos para su protección contra posible riesgo de choque eléctrico. Para los modelos de hasta 7,5 amperes o menos, use un tomacorriente mural del tipo con puesta a tierra que tenga la misma configuración que el enchufe del cordón de alimentación.
- Para los modelos de más de 7,5 amperes, use un tomacorriente mural sencillo con puesta a tierra que tenga la misma configuración que el enchufe del cordón de alimentación.



### ADVERTENCIA



**No** haga funcionar este acondicionador de aire sin protección adecuada del circuito de retardo. Consulte la placa de serie para los requerimientos apropiados de alimentación eléctrica.

#### Tamaños Recomendados de los conductores del circuito

(Instalados según el código de construcción)

CAPACIDAD DE LOS FUSIBLES	CALIBRE DE LOS CONDUCTORES
15 AMP	#14 COMO MINIMO
20 AMP	#12 COMO MINIMO
30 AMP	#10 COMO MINIMO



125V  
15A



250V  
20A



250V  
15A



250V  
30A

## Precauciones de Seguridad Adicionales

- No corte, modifique ni retire ningún pedazo de poliestireno expandido (espuma blanca) situado dentro de este acondicionador de aire.
- No guarde ni use gasolina u otros vapores y líquidos inflamables en la vecindad de este o cualquier otro artefacto. Los vapores emitidos pueden crear un riesgo de incendio o explosión.
- No introduzca objetos en el área de descarga del aire. Esto puede causar daño irreparable a su acondicionador de aire.
- No vierta líquidos de limpieza en el acondicionador de aire pues esto puede causar un malfuncionamiento. Use un paño húmedo para limpiarlo.
- Evite usar solventes fuertes para limpiar el acondicionador de aire.
- Limpie el filtro del acondicionador de aire cada dos semanas para evitar sobrecalentamiento causado por obstrucción del aire.
- No obstruya el área de entrada del aire de su acondicionador, pues esto puede causar sobrecalentamiento, lo cual activará el interruptor de seguridad y apagará el aparato.
- No bloquee la circulación del aire hacia las rejillas de ventilación exteriores del gabinete.
- No obstruya el flujo del aire hacia el interior con persianas, cortinas o muebles o hacia el exterior con arbustos, recintos u otros edificios.
- No haga funcionar el acondicionador de aire teniendo instalada la cubierta protectora exterior. Esto podría resultar en daño mecánico dentro del acondicionador de aire.

## Requisitos de la ventana

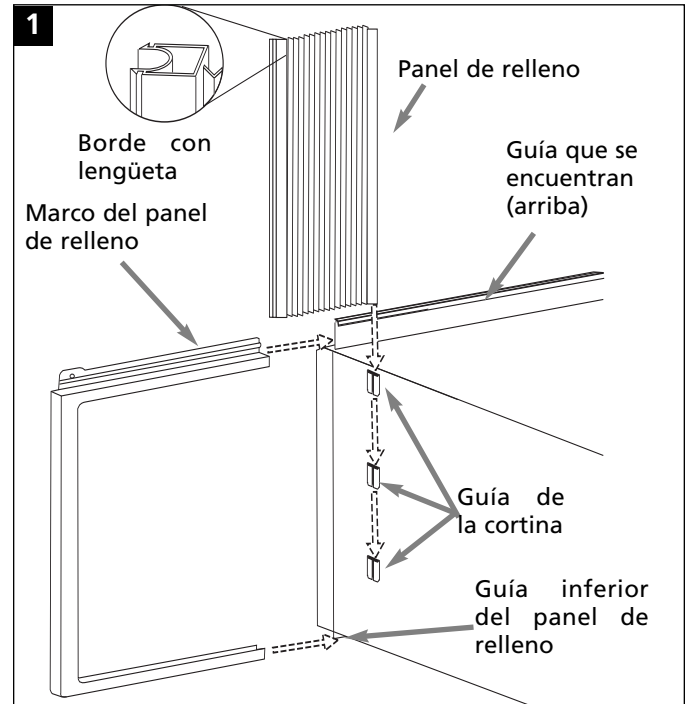
El acondicionador de aire viene preparado de fábrica para ser instalado en ventanas de guillotina comunes (el acondicionador de aire no puede instalarse en otro tipo de ventanas). El acondicionador de aire puede instalarse en ventanas de 58,4cm (23 pulg) a 91,4cm (34 pulg) de ancho si se usan paneles de relleno. En las ventanas de 48,3 cm (19 pulg) a 55,9cm (22 pulg) de ancho no son necesarios paneles de relleno para instalar el acondicionador de aire. Todas las ventanas deben poder abrirse por lo menos 32,4cm (12 3/4 pulg) en dirección vertical.

Instale el acondicionador de aire en una ventana donde haya espacio suficiente alrededor del gabinete para permitir la libre circulación de aire a través de la unidad.



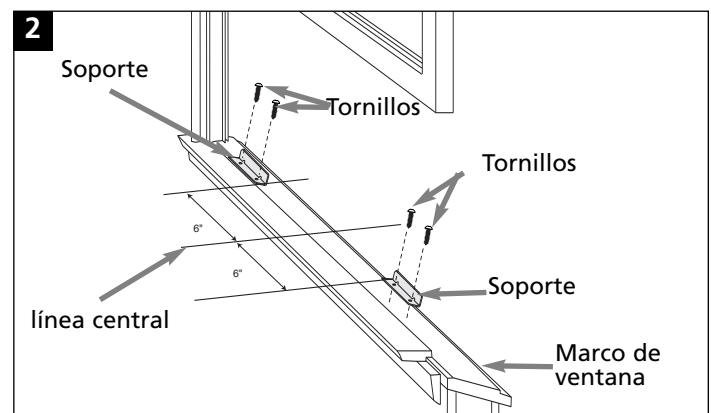
## Instalación del panel de relleno

1. Coloque el lado con lengüeta (Fig. 3) de la cortina en la guía que se encuentra a los lados del gabinete del acondicionador de aire y deslice la cortina por la guía hasta que la cortina esté pareja arriba y abajo (Fig. 1).
2. Deslice el marco del panel de relleno en el gabinete del acondicionador de aire usando las guías que se encuentran arriba y abajo de la unidad. Deslice el marco lo más cerca posible del acondicionador de aire para que la cortina quede trabada en la posición adecuada. Tire suavemente del marco hasta obtener la longitud que necesita para realizar la instalación (Fig. 1).



## Instalación en una ventana de 58,4cm (23 pulg) a 91,4cm (34 pulg) de ancho

1. Abra la ventana y marque la línea central. Mida y marque 15,24cm (6 pulg) hacia la derecha de la línea central y 15,24 cm (6 pulg) hacia la izquierda de la línea central (Fig. 2).
2. Coloque el soporte de forma tal que el borde exterior descansa sobre la marca de 6" adecuada, y la parte posterior del soporte se encuentre sobre el borde del marco de la ventana. Asegure los soportes con dos (2) tornillos para madera de 1,59cm (5/8 pulg) de largo.



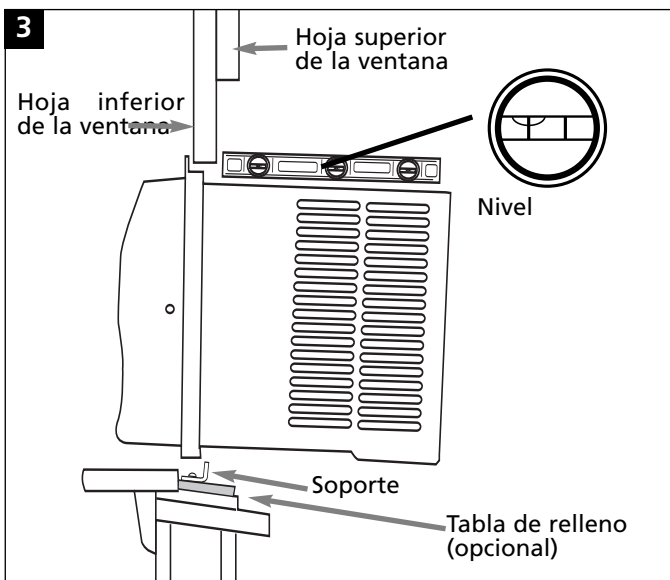
# Acondicionador de aire ambientales

3. Para evitar la interferencia de las contraventanas, asegure firmemente con clavos o tornillos tiras de madera de 5,1cm (2 pulg) de ancho al antepecho y a la repisa de la ventana. Las tiras deben tener el largo de la abertura de la ventana y deben colocarse a nivel con el lado posterior de la repisa de la ventana. El grosor de las tiras variará según el grado de interferencia (Fig. 3).

4. Sosteniendo firmemente el acondicionador de aire, colóquelo cuidadosamente en la abertura de la ventana con la barra inferior entre la repisa de la ventana y el soporte. Asegúrese de que el gabinete se incline hacia el exterior.

El acondicionador de aire debe estar inclinado levemente hacia abajo, como lo indica media burbuja desplazada en un nivel de carpintero. Esta inclinación hacia afuera evita que el agua ingrese en la habitación (Fig. 3).

5. Cierre la ventana hasta que se apoye detrás de la barra superior del acondicionador de aire. Deslice los paneles de relleno hacia afuera hasta que toquen las guías de la hoja de la ventana. (No suelte el acondicionador de aire hasta que la hoja inferior de la ventana se encuentre en la posición final) (Fig. 3).



6. Asegure el lado superior de los paneles de relleno pasando tornillos para madera de 1,59cm (5/8 pulg) de largo hasta la hoja de la ventana a través de los orificios de montaje de las ranuras superiores.

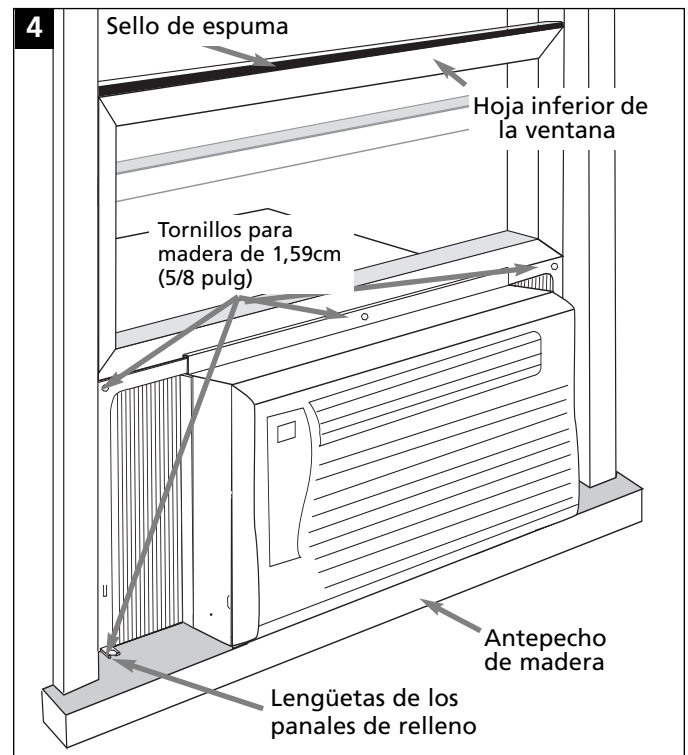
7. Asegure el lado inferior de los paneles de relleno pasando tornillos para madera de 1,59cm (5/8 pulg) hasta el antepecho de la ventana a través de las lengüetas de los paneles de relleno.

8. Recorte el sello de espuma según la anchura de la ventana e instálelo entre la hoja superior y la hoja inferior de la ventana (Fig. 4).

Precaución: No realice perforaciones en la bandeja inferior. La unidad está diseñada para operar con aproximadamente 1,3cm (1/2 pulg) de agua en la bandeja inferior.

**Instalación en una ventana de 48,3cm (19 pulg) a 55,9cm (22 pulg) de ancho**  
(No se necesita utilizar paneles de relleno)

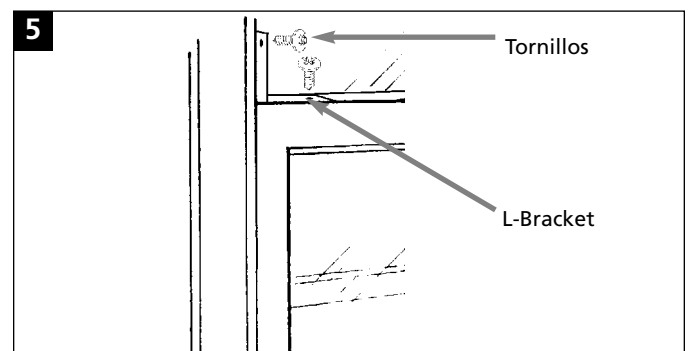
1. Consulte los pasos 1 y 2 de las instrucciones anteriores.  
2. Cierre la ventana hasta que se apoye detrás de la barra superior.



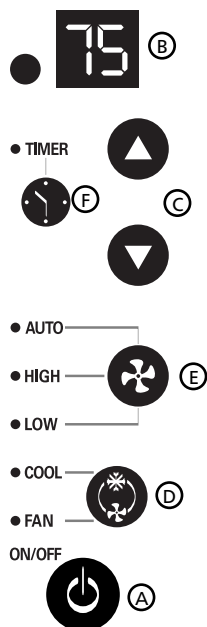
3. Asegure la hoja inferior de la ventana al marco de la ventana usando clavos de acabado, tornillos para madera o soportes en L. (Fig. 5)

4. Si se necesita relleno a los lados del acondicionador de aire, recorte sello de espuma del tamaño necesario y colóquelo a ambos lados.

5. Recorte el sello de espuma según la anchura de la ventana e instálelo entre la hoja superior y la hoja inferior de la ventana.



6



- (A) Control de alimentación
- (B) Pantalla de temperatura/hora
- (C) Controles de temperatura/hora
- (D) Control de modo
- (E) Control de la velocidad del ventilador
- (F) Control del reloj

## Control de alimentación

El control de alimentación enciende y apaga la unidad.

## Pantalla de temperatura/hora

Muestra la temperatura fijada o la configuración del reloj. LA PANTALLA DE TEMPERATURA SÓLO MUESTRA LA TEMPERATURA FIJADA, NO LA TEMPERATURA REAL DE LA HABITACIÓN.

## Controles de temperatura/hora

Estos botones se usan para subir o bajar la temperatura fijada en incrementos de 1° de 66° a 88°. También suben y bajan la hora en incrementos de 1 hora de 00 a 24 horas cuando se está programando el reloj. Para pasar de °F a °C y viceversa presione ambos controles al mismo tiempo.

## Control de modo

El control de modo tiene dos posiciones: FAN (Ventilación) y COOL (Enfriamiento).

Las posiciones se ajustan con el botón del Control de modo. Una luz verde indica qué posición se está usando actualmente. Cuando se selecciona el modo COOL (Enfriamiento), la unidad hará circular el aire y lo enfriará. Si se selecciona el modo FAN (Ventilación), la unidad sólo hará circular el aire.

## Control de la velocidad del ventilador

El control de velocidad del ventilador tiene tres posiciones: High (alta), Low (baja) y Auto (automática). Las posiciones se ajustan con el botón de velocidad del ventilador. La posición cambia cada vez que se presiona el botón. Una luz verde indica qué posición se está usando actualmente.

Cuando se selecciona la función Auto mientras el acondicionador de aire se encuentra en el modo COOL (enfriamiento), la velocidad del ventilador cambiará automáticamente a medida que cambia la temperatura de la habitación.

- 4° o más sobre la temperatura fijada: la unidad estará en el modo HI FAN (Ventilación alta).
- 4° o menos por encima de la temperatura fijada: la unidad estará en el modo LO FAN (Ventilación baja).

**Control del reloj** El temporizador puede hacer que la unidad se prenda o apague.

## Para PRENDER la unidad usando el temporizador:

- Presione la tecla del temporizador cuando el suministro de energía esté apagado, la pantalla leerá 00. Ajuste al número deseado de horas antes que SE PRENDA usando las flechas de arriba / abajo.
- La pantalla mostrará el tiempo por horas que faltan para que SE PRENDA.
- Para apagar el temporizador, presione la tecla del temporizador.
- Una luz verde junto al control del temporizador indica que se ha prendido.

## Para APAGAR la unidad usando el temporizador.

- Presione la tecla del temporizador cuando el suministro de energía esté prendido, la pantalla leerá 00. Ajuste al número de horas deseadas antes de APAGAR usando las flechas de arriba / abajo. La pantalla irá automáticamente a la temperatura programada después de 10 segundos.
- Para mostrar la cantidad de tiempo hasta que SE APAGUE, presione el botón del temporizador una vez.
- Para APAGAR el temporizador, presione el botón dos veces.
- Una luz verde junto al control del temporizador indica que se ha prendido.

Mecanismo de retraso de tres minutos incorporado.

Si este aparato electrónico no responde a los mandos del control remoto o cojinete táctil, será necesario desenchufarlo cinco segundos y luego volver a enchufar.

Característica de encendido automático:

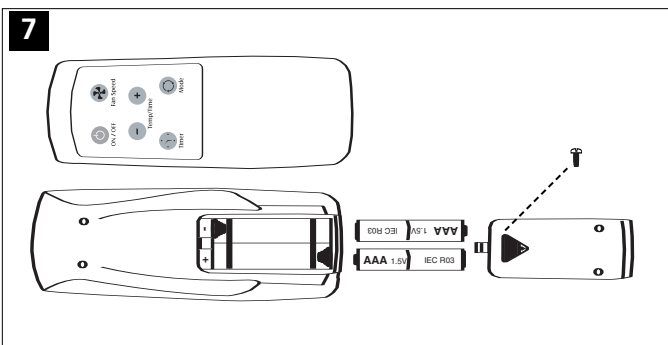
En caso de falla eléctrica, esta característica permite que la unidad se encienda nuevamente de manera automática cuando se restablece el servicio eléctrico manteniendo los ajustes más recientes.

## Control Remoto de Acondicionador de Aire

Las funciones trabajan igual que los controles manuales de su acondicionador de aire.

### ATENCIÓN

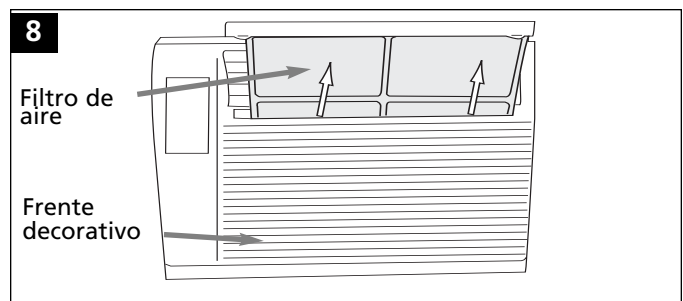
- Use solamente pilas AAA o IEC R03 de 1,5V.
- Retire las pilas si el control remoto no va a ser usado durante un mes o más.
- No intente recargar las pilas suministradas.
- Todas las pilas deben ser reemplazadas a un mismo tiempo.
- No incrinere las pilas pues pueden explotar.
- No instale las pilas con la polaridad (+/-) inversa.
- No mezcle pilas alcalinas, standard (carbon-zinc), con pilas recargables (nickel-cadium).
- Mantenga fuera del alcance de los niños pequeños las pilas y otros artículos que puedan ser tragados. Póngase inmediatamente en contacto con un médico si un niño pequeño se traga un objeto.



## Limpeza del filtro de aire

Limpe el filtro de aire cada dos semanas

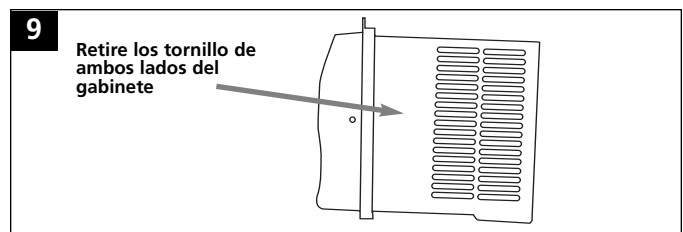
1. Mueva el control principal hasta la posición OFF (apagado).
2. Retire el filtro de aire tomándolo por las dos esquinas superiores y tirando hacia arriba hasta retirarlo de la unidad (Fig. 10).
3. Lávelo con agua tibia jabonosa, enjuáguelo y sacúdalo para que se seque.
4. Vuelva a colocar el filtro, con el frente hacia usted.
5. Para secar completamente el filtro, encienda la unidad durante unos minutos. Recuerde que es necesario que el filtro esté limpio para obtener un buen funcionamiento y la mayor eficacia posible en todos los niveles de operación.



Nota: El filtro de aire debe mantenerse limpio; de lo contrario, habrá mala circulación de aire. NO haga funcionar la unidad sin filtro. Esto puede arruinar la unidad.

## Para retirar el frente decorativo

1. Apague la unidad y desenchúfela.
2. Retire los tornillos que se encuentran a ambos lados del gabinete (Fig. 9).
3. Tire suavemente hacia adelante mientras sostiene los dos lados del frente decorativo.
4. Para volver a colocar el frente decorativo, alinee las partes superior e inferior y los lados, y presione suavemente hasta volver a colocarlo.
5. Vuelva a colocar los tornillos a ambos lados del frente decorativo. Cerciérese de que el frente decorativo esté bien asegurado antes de volver a enchufar la unidad y ponerla en funcionamiento.



## Localización y Solución de Averías

Problema	Causa Posible	Soluciones
El acondicionador de aire no funciona	<ul style="list-style-type: none"> <li>El enchufe mural está desconectado.</li> <li>Se ha fundido un fusible o se ha disparado el disyuntor.</li> <li>El acondicionador de aire se apagó y luego se encendió demasiado rápidamente.</li> <li>El ajuste del termostato es muy bajo para enfriamiento.</li> </ul>	<ul style="list-style-type: none"> <li>Inserte bien el enchufe en el tomacorriente mural.</li> <li>Reemplace el fusible con un tipo de fusible con retardo o reponga el disyuntor.</li> <li>Si el acondicionador de aire está apagado espere 3 minutos antes de volver a encenderlo.</li> <li>Cambie el termostato a un ajuste más alto para enfriamiento.</li> </ul>
El aire proveniente del acondicionador de aire no es suficientemente frío	<ul style="list-style-type: none"> <li>El termostato está en un ajuste demasiado caliente.</li> <li>La temperatura de la habitación es inferior a 70°F.</li> </ul>	<ul style="list-style-type: none"> <li>Coloque el termostato en una temperatura más fría.</li> <li>No se producirá enfriamiento hasta que la temperatura de la habitación no sea superior a 70°F.</li> </ul>
El acondicionador de aire enfría, pero la habitación está demasiado tibia – se forma hielo en las espirales de enfriamiento detrás del panel decorativo delantero	<ul style="list-style-type: none"> <li>La temperatura exterior es inferior a 70°F.</li> <li>El filtro de aire está sucio – restricción del aire.</li> </ul>	<ul style="list-style-type: none"> <li>Para descongelar el serpentín, coloque el termostato en una posición más caliente.</li> <li>Limpie el filtro, vea la sección "Limpieza del Filtro del Aire".</li> </ul>
El acondicionador de aire enfría, pero la habitación está demasiado tibia – NO se forma hielo en las espirales de enfriamiento detrás del panel decorativo delantero	<ul style="list-style-type: none"> <li>El termostato está en un ajuste demasiado frío para enfriamiento nocturno.</li> <li>Filtro de aire sucio – restricción del aire.</li> </ul>	<ul style="list-style-type: none"> <li>Para descongelar la espiral, coloque el termostato en una posición normal.</li> <li>Limpie el filtro del aire. Consulte la sección "Limpieza del Filtro del Aire".</li> </ul>
Se produce ruido cuando el acondicionador de aire está enfriando	<ul style="list-style-type: none"> <li>Ruido del movimiento del aire.</li> <li>Ruido del ventilador al golpear el sistema de extracción de agua y humedad.</li> <li>Vibración de la ventana – instalación deficiente.</li> </ul>	<ul style="list-style-type: none"> <li>El sonido del aire moviéndose es normal. Si es demasiado fuerte, gire el selector a un ajuste del ventilador más bajo.</li> <li>Esto es normal cuando la humedad es alta. Cierre las puertas, ventanas y rejillas de ventilación.</li> <li>Consulte las instrucciones de instalación – consulte con el instalador.</li> </ul>
Goteo de agua dentro del acondicionador de aire cuando está enfriando	<ul style="list-style-type: none"> <li>Instalación incorrecta.</li> </ul>	<ul style="list-style-type: none"> <li>Incline ligeramente el acondicionador de aire hacia el exterior para desaguar el agua. Consulte las instrucciones de instalación – verifique con el instalador.</li> </ul>
Goteo de agua fuera del acondicionador de aire cuando está enfriando	<ul style="list-style-type: none"> <li>El acondicionador de aire está extrayendo gran cantidad de humedad de la habitación.</li> </ul>	<ul style="list-style-type: none"> <li>Esto es normal durante días excesivamente húmedos.</li> </ul>



## Cómo obtener servicio o piezas bajo la garantía

Nota: Antes de solicitar servicio, lea cuidadosamente este manual de instalación y funcionamiento.

Para los modelos instalados en Norteamérica:

En primer lugar, realice las verificaciones recomendadas en la guía de localización y solución de averías. Luego, si aún así necesita asistencia:

1. Llame a un técnico de servicio autorizado CareCo y proporcione los números de modelo y de serie, la fecha de compra y la naturaleza del problema. El servicio será ofrecido durante las horas normales de trabajo. Póngase en contacto con su distribuidor para obtener la información sobre algún técnico de servicio autorizado si no la tiene.

2. Si su distribuidor no puede darle el nombre de un técnico de servicio o si necesita cualquier otro tipo de asistencia, póngase en contacto con CareCo para obtener esta información.

Puede ponerse en contacto con CareCo por correo electrónico:

customerservice@fedders.com

a través del siguiente número telefónico gratuito:

**1-800-332-6658**

o puede escribir a:

**CareCo, Service Department**

**415 W. Wabash Ave., P.O. Box 200**

**Effingham, IL 62401**

**Para los modelos instalados fuera de Norteamérica:**

Para los acondicionadores de aire adquiridos fuera de Norteamérica, el fabricante no ofrece ninguna garantía expresa o implícita. Consulte con su distribuidor local para obtener los términos de la garantía que ofrece el importador en su país.

**Fecha del comprobante de compra**

Es responsabilidad del consumidor establecer la fecha original de compra para efectos de la garantía. Le recomendamos que guarde la factura, el cheque cancelado o cualquier otro comprobante de pago adecuado para tal fin.

## Garantía del acondicionador de aire

(Dentro de los 48 estados contiguos de los Estados Unidos, estado de Hawaii, Distrito de Columbia, Mexico, Puerto Rico y Canadá)

### Garantía para todas las piezas (cinco años) y mano de obra

A partir de la fecha de compra y durante un período de cinco años, Fedders, mediante sus estaciones de servicio autorizadas, reparará o reemplazará sin costo alguno para el propietario o usuario, cualquier pieza que presente daños de material o mano de obra derivados del uso normal del producto. Es responsabilidad del propietario facilitar el acceso al acondicionador de aire para realizar los servicios de reparación.

Nota: En caso de que se requiera reemplazar una pieza mientras la garantía está vigente, se utilizarán los repuestos de Fedders los cuales continuarán en vigencia solamente durante el resto del período de garantía de la unidad.

### Excepciones

La garantía antes indicada no cubre las fallas de funcionamiento causadas por daños que sufra la unidad mientras ésta esté en posesión del usuario (excluyendo los daños causados por defecto o funcionamiento defectuoso), o por la instalación incorrecta, o la utilización indebida de la unidad, incluyendo pero sin limitarse a ello, la negligencia en proporcionar el mantenimiento necesario y adecuado o en seguir las "instrucciones de Instalación y Uso" indicadas por escrito. En caso de utilizarse la unidad para fines comerciales, de negocios, de arriendo u otro uso o aplicación que no sea el uso del consumidor, no otorgamos garantía explícita ni implícita, incluyendo, pero sin limitarse a, toda garantía implícita de negociabilidad o idoneidad para un uso o finalidad particular.

LAS SOLUCIONES EXPUESTAS EN LA GARANTIA ANTERIOR SON EXCLUSIVAS. SE RECHAZA CUALQUIER OTRA GARANTIA YA SEA EXPRESA O IMPLICITA, INCLUYENDO, PERO SIN LIMITARSE A ELLO, TODAS LAS GARANTIAS DE COMERCIABILIDAD O IDONEIDAD PARA UN FIN EN PARTICULAR DURANTE CINCO AÑOS A PARTIR DE LA FECHA DE COMPRA. BAJO NINGUNA CIRCUNSTANCIA FEDDERS SE HARA RESPONSABLE POR NINGUN DAÑO DIRECTO, INDIRECTO O CONSECUCIONAL, SIN IMPORTAR LA CAUSA DE LA ACCION, AUN CUANDO FEDDERS HAYA SIDO ADVERTIDO CON ANTERIORIDAD DE LA POSIBILIDAD DE DICHOS DAÑOS. NO SE OFRECE NINGUNA GARANTIA EXPRESA O IMPLICITA A COMPRADORES DESPUES DE LA REVENTA.

Algunos estados no permiten limitar el tiempo de duración de una garantía implícita ni permiten excluir ni limitar los daños incidentales o emergentes, de modo que las limitaciones o exclusiones antes indicadas podrían no aplicarse en su caso. Esta garantía le otorga derechos legales específicos. Usted podría tener también otros derechos que pueden variar de estado a estado.

No se ofrecen garantías para las unidades vendidas fuera de las áreas antes indicadas. Su distribuidor o vendedor final podría proporcionar una garantía para las unidades vendidas fuera de estas áreas.



## Cordon électrique avec dispositif de détection d'arc

Le cordon électrique fourni avec ce climatiseur comporte un dispositif de détection d'arc électrique conçu pour couper l'alimentation de l'appareil quand une formation d'arc est détectée. L'arc est le résultat d'une décharge électrique involontaire qui a lieu lorsque des produits ou des fils électriques sont endommagés, détériorés ou mal utilisés. La formation d'arc peut être dangereuse si elle n'est pas détectée.



### AVERTISSEMENT



- N'enlevez **pas** cette fiche et ne la modifiez pas.
- **Ne** l'utilisez **pas** comme interrupteur.
- **Ne** l'utilisez **pas** à l'extérieur.
- **Ne** poussez **pas** les meubles contre le cordon électrique ou ne les mettez pas sur ce cordon. Ceci peut déclencher le commutateur de test ou endommager le cordon et par conséquent entraîner une formation d'arc.
- N'essayez **pas** de réparer le cordon. S'il faut remplacer le cordon, faites appel à un réparateur autorisé.
- Le dispositif de détection d'arc n'est pas un disjoncteur et il ne faut pas l'utiliser comme tel.
- Le dispositif de détection d'arc contient une carte de circuit imprimé qui ne doit pas être exposée à l'eau.

### Réarmement

Si le dispositif de détection d'arc se déclenche, le bouton de réarmement sort.

Suivez ces étapes pour réarmer le dispositif de détection d'arc :

1. Débranchez l'appareil.
2. Appuyez sur le bouton de réarmement.
3. Rebranchez l'appareil.
4. Vérifiez si l'appareil est alimenté en courant.

### Tests

Vous devez tester le cordon électrique équipé du dispositif de détection d'arc, une fois par mois ou après chaque orage électrique, ou si l'alimentation du climatiseur a été coupée.

Suivez ces étapes pour tester le dispositif de détection d'arc :

1. Débranchez l'appareil.
  2. Appuyez sur le bouton de réarmement.
  3. Rebranchez l'appareil.
  4. Appuyez sur le bouton d'essai. Un déclenchement de l'appareil devrait avoir lieu et le bouton de réarmement devrait sortir.
  5. Appuyez à nouveau sur le bouton de réarmement.
- Si ce test ne donne pas le bon résultat, n'utilisez plus le climatiseur et prenez contact avec le service à la clientèle en composant le numéro sans frais suivant :

**1-800-332-6658**

ou envoyez un courriel à :  
**customerservice@fedders.com**



### Avertissement



## Risque de choc électrique



- Brancher l'appareil uniquement sur une prise de courant électrique reliée à la terre.
- Ne pas utiliser avec cet appareil un câble de rallonge ou un adaptateur de fiche.
- Ne pas faire fonctionner cet appareil lorsque le panneau de façade est enlevé.
- Le non-respect de ces précautions peut entraîner choc électrique, incendie ou blessures.
- Si les paramètres d'alimentation électrique sur la plaque signalétique sont 115 volts et 7,5 A ou plus, il faut que l'appareil soit protégé par son propre fusible ou disjoncteur, et aucun autre appareil ne devrait être branché sur le même circuit d'alimentation. Si la plaque signalétique du climatiseur indique qu'il doit être alimenté sous 230 volts, il faut que l'appareil soit protégé par son propre fusible ou disjoncteur, et aucun autre appareil ne devrait être branché sur le même circuit d'alimentation.
- Il est recommandé qu'un électricien qualifié installe l'appareil conformément aux prescriptions du code national des installations électriques et des codes et règlements locaux applicables.
- Utiliser uniquement des conducteurs en cuivre et dispositifs de protection de calibre et de capacité adéquate.
- Ne pas modifier le cordon d'alimentation ou la fiche de branchement. N'enlever aucune étiquette d'avertissement fixée sur le cordon d'alimentation.

### Liaison à la terre – Exigences importantes

- Pour la protection des utilisateurs contre les risques de choc électrique, le climatiseur comporte un cordon d'alimentation muni d'une fiche de branchement à trois broches (liaison à la terre) qu'on doit brancher sur une prise de courant murale à trois alvéoles convenablement reliée à la terre. Pour un modèle dont la demande de courant est de 7,5 A ou moins, utiliser une prise de courant murale reliée à la terre de même configuration que la fiche de branchement.
- Pour un modèle dont la demande de courant est supérieure à 7,5 A, utiliser une prise de courant simple avec liaison à la terre, de même configuration que la fiche de branchement.



### Avertissement



Ne pas faire fonctionner ce climatiseur si le circuit d'alimentation n'est pas protégé par un fusible ou disjoncteur chronométré de capacité convenable. Pour les caractéristiques d'alimentation électrique, voir la plaque signalétique de l'appareil.

#### Calibre Recommandé des conducteurs

(selon le code du bâtiment) :

CAPACITÉ DU FUSIBLE	CALIBRE DES CONDUCTEURS
15 A	N° 14 ou plus gros
20 A	N° 12 ou plus gros
30 A	N° 10 ou plus gros



125V  
15A



250V  
20A



250V  
15A



250V  
30A

# Climatiseur d'air individuel

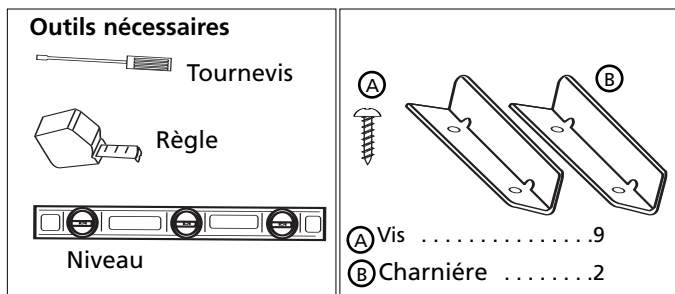
## Mesures de sécurité additionnelles

- Ne pas couper, modifier ou enlever aucun des composants de polystyrène expansé (matériau isolant blanc) placés à l'intérieur du climatiseur.
- Ne jamais remiser ou utiliser d'essence ou autre produit inflammable liquide ou gazeux au voisinage des appareils ou de tout autre appareil ménager. Les vapeurs émises pourraient entraîner un risque d'incendie ou d'explosion.
- N'introduire aucun objet dans la zone de décharge de l'air; ceci pourrait provoquer une détérioration non réparable de l'appareil.
- Ne verser aucun liquide sur le climatiseur; ceci pourrait entraîner une anomalie de fonctionnement. Pour le nettoyage de l'appareil, utiliser un chiffon humide.
- Lors du nettoyage du climatiseur, éviter d'employer un solvant énergétique.
- Pour éviter une obstruction et un échauffement excessif, nettoyer le filtre du climatiseur à intervalles de deux semaines.
- Veiller à ne pas obstruer les entrées d'air du climatiseur; ceci provoquerait un échauffement excessif et le déclenchement des dispositifs de sécurité qui provoquent l'arrêt de l'appareil.
- Ne pas bloquer la circulation de l'air vers les claires-voies extérieures de la caisse.
- Ne pas bloquer la circulation de l'air au voisinage de l'appareil, à l'intérieur (stores, rideaux, meubles), ou à l'extérieur (arbustes, enceintes ou autre bâtiment).
- Ne pas faire fonctionner le climatiseur lorsque la housse de protection est en place. Ceci pourrait faire subir des dommages mécaniques au climatiseur.

## Spécifications de la fenêtre

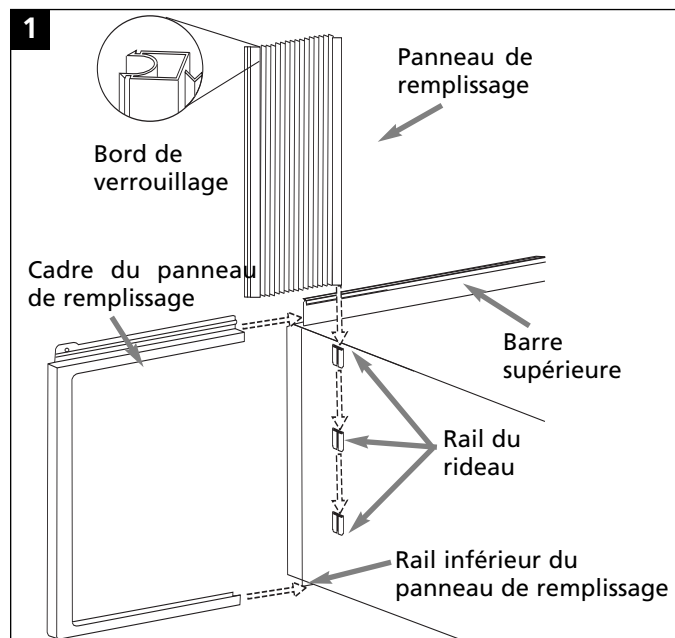
Le climatiseur est préparé en usine pour être installé dans l'ouverture d'une fenêtre à guillotine et ne peut être installé sur d'autres types de fenêtres. Le climatiseur peut être installé sur des fenêtres de 58,4 cm (23 po) à 91,4 cm (34 po) de large à condition d'utiliser des panneaux de remplissage. Pour les fenêtres de 48,3 cm (19 po) à 55,9 cm (22 po) de large, les panneaux de remplissage sont inutiles. Toutes les fenêtres doivent avoir une ouverture verticale minimale de 32,4 cm (12 3/4 po).

Installer le climatiseur sur une fenêtre où il existe un dégagement suffisant autour du boîtier pour qu'il se produise une bonne circulation d'air dans l'appareil.



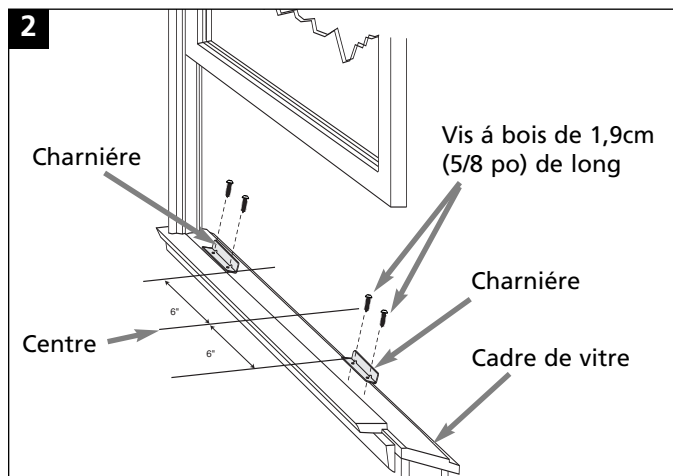
## Installation du panneau de remplissage

1. Placer le côté coulissant du rideau dans le rail latéral du boîtier du climatiseur et faire coulisser le rail de haut en bas de façon à ce qu'il soit au même niveau que le rideau (Fig. 1).
2. Faire coulisser le cadre du panneau de remplissage sur le boîtier du climatiseur en utilisant les rails supérieur et inférieur de l'appareil. Faire coulisser le cadre aussi près que possible du climatiseur de manière que le rideau se verrouille en place. Tirer sur le cadre avec précaution jusqu'à ce qu'il se trouve à la bonne hauteur.

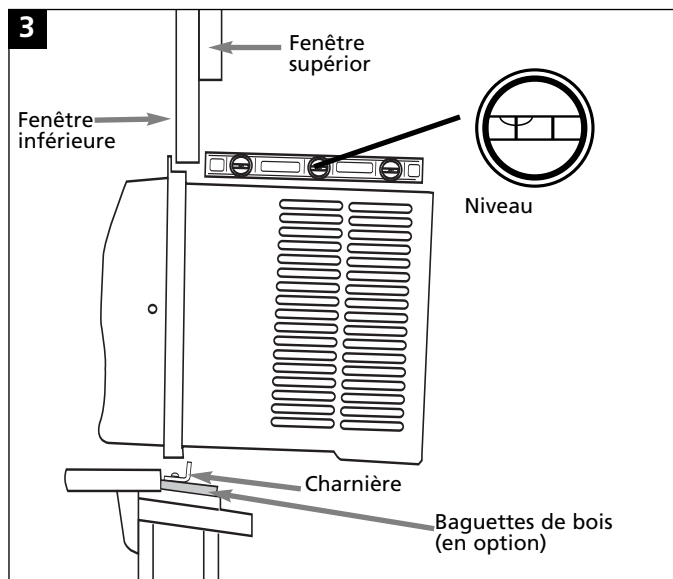


## Installation dans une ouverture de fenêtre de 58,4 cm (23 po) à 91,4 cm (34 po) de large

1. Ouvrir la fenêtre et en marquer le centre. Mesurer et marquer une distance de 22,2 cm (8 3/4 po) de part et d'autre du centre (Fig. 2).
2. Placer la fixation de façon à que le bord extérieur repose environ sur la marque appropriée à 22,2 cm et que l'arrière de la fixation se trouve au bord du cadre de la vitre. Fixer les charnières à l'aide de 2 vis à bois de 1,59 cm (5/8 po) de long (Fig. 2).



3. Pour palier à l'interférence de la contre-fenêtre, fixer solidement les baguettes de bois de 5,1cm (2 po) de large au bord intérieur et au rebord de la fenêtre, en utilisant des clous ou des vis. Les baguettes devraient être de la longueur de l'ouverture de la fenêtre et au même niveau que le côté arrière de la base de dormant. L'épaisseur des baguettes varie selon le degré d'interférence (Fig. 3).
4. Tout en maintenant le climatiseur d'une main ferme, le centrer avec précaution dans l'ouverture de la fenêtre, la barre inférieure se trouvant entre le bord intérieur de la fenêtre et la charnière. S'assurer que le boîtier demeure incliné vers l'extérieur. Le climatiseur doit pencher légèrement à l'extérieur vers le bas, comme indiqué par un décalage d'une demi-bulle sur un niveau à bulle. Cette inclinaison vers l'extérieur empêche l'eau de pénétrer dans la pièce (Fig. 3).
5. Fermer la fenêtre jusqu'à ce qu'elle repose en arrière de la barre supérieure du climatiseur. Faire glisser les panneaux de remplissage vers l'extérieur jusqu'à ce qu'ils touchent les rainures du châssis de la fenêtre. (Ne pas relâcher la prise sur le climatiseur jusqu'à la rainure de la fenêtre inférieure soit en position finale) (Fig. 3).



6. Fixer solidement la partie supérieure des panneaux de remplissage en enfonçant des vis de 1,59 cm (5/8 po) dans les orifices de montage des rainures supérieures.
7. Fixer solidement la partie inférieure des panneaux de remplissage en enfonçant des vis de 1,59 cm (5/8 po) dans le rebord de la fenêtre à travers les taquets des panneaux de remplissage.

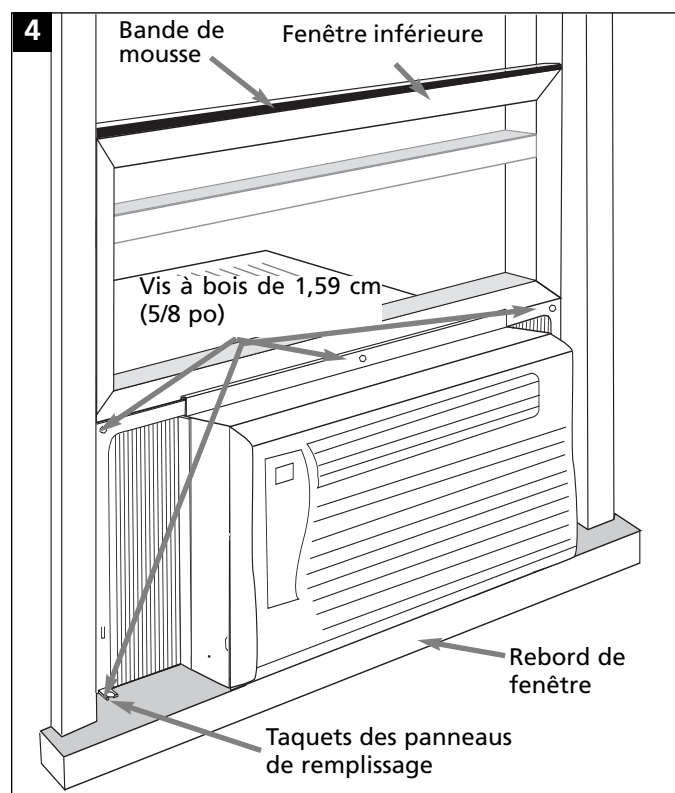
8. Couper la mousse à la largeur de la fenêtre et l'installer entre la fenêtre supérieure et inférieure (Fig. 4).

**Ne jamais percer un trou dans le plateau de récupération inférieur. L'appareil est conçu pour fonctionner avec environ 13 mm (1/2 po) d'eau dans le plateau de récupération.**

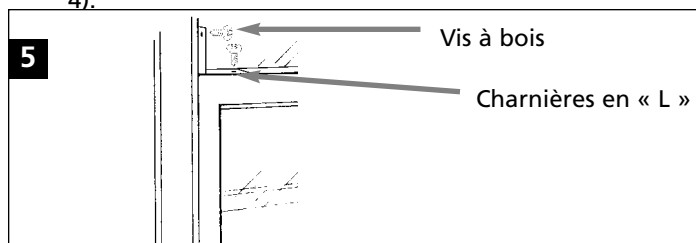
## Installation dans une ouverture de fenêtre de 48,3 cm (19 po) à 55,9 cm (22 po) de large

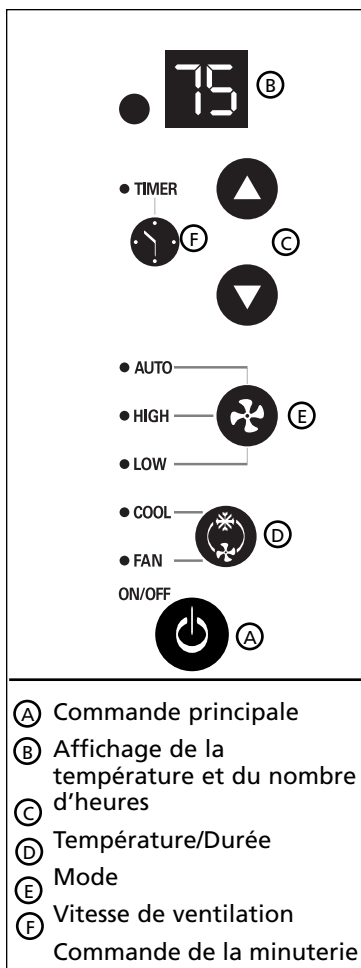
(Les panneaux de remplissage ne sont pas nécessaires dans ce cas)

1. Se reporter aux étapes 1 et 2 des instructions précédentes.
2. Fermer la fenêtre jusqu'à ce qu'elle repose en arrière de la barre supérieure.



3. Fixer la fenêtre inférieure au cadre de la fenêtre à l'aide de clous de finition, de vis à bois ou de charnières en « L ». (Fig. 5)
4. S'il est nécessaire de calfeutrer les côtés du climatiseur, couper une bande de mousse à la dimension de chaque côté.
5. Couper une bande de mousse de la largeur de la fenêtre et l'installer entre la fenêtre supérieure et inférieure (Fig. 4).





## Commande principale

Elle permet de mettre en marche et d'arrêter l'appareil.

## Affichage de la température et du nombre d'heures

Affiche le réglage de la température ou celui de la minuterie. L'AFFICHAGE DE LA TEMPÉRATURE INDIQUE LA TEMPÉRATURE DE RÉGLAGE ET NON PAS LA TEMPÉRATURE RÉELLE DE LA PIÈCE.

## Température/Durée

Ces boutons servent à augmenter ou abaisser la température par échelon de 1°, de 66 à 88°. Ils permettent également d'augmenter ou de diminuer le nombre d'heures par échelon de 1 heure, de 0 à 24 heures, si la fonction de la minuterie est utilisée. Si vous appuyez sur les deux boutons en même temps, l'affichage passera de Fahrenheit à Celsius ou vice versa.

## Mode

Cette commande comporte deux modes: FAN (ventilation) et COOL (refroidissement).

Le bouton de commande du mode permet de passer de l'un à l'autre. Un voyant vert s'allume indiquant le mode choisi. Si le mode COOL (refroidissement) est choisi, l'appareil fait circuler l'air tout en le refroidissant. Si le mode FAN (ventilation) est choisi, l'appareil fait circuler l'air ambiant sans le refroidir.

## Vitesse de ventilation

Cette commande comporte trois positions: High (rapide), Low (lent) et Auto (automatique). À chaque fois que vous appuyez une fois sur le bouton de réglage de la vitesse, il passe à la position suivante. Un voyant vert indique la position choisie.

Lorsque le ventilateur est réglé sur AUTO et le mode sur COOL (refroidissement), la vitesse de ventilation va changer automatiquement à mesure que la température de la pièce change.

- À 4° ou plus au-dessus de la température réglée, l'appareil utilisera la vitesse de ventilation HI (rapide).
- À 4° ou moins au-dessus de la température réglée, l'appareil utilisera la vitesse de ventilation LO (lent).

## Commande de la minuterie

On peut régler la minuterie afin de mettre l'appareil en marche ou de l'arrêter.

### Pour mettre l'appareil en marche au moyen de la minuterie, alors que l'appareil

- Est hors tension, enfoncer la touche de la minuterie; l'afficheur indiquera 00. Choisir le nombre d'heures qui doivent s'écouler avant la MISE EN MARCHÉ de l'appareil au moyen des flèches vers le haut ou vers le bas.
- L'afficheur indiquera le nombre d'heures qui restent avant la MISE EN MARCHÉ.
- Pour arrêter la minuterie, enfoncer de nouveau la touche correspondante.
- Un voyant vert situé à côté de la commande de la minuterie s'allume pour indiquer que cette dernière est réglée.

### Pour ARRÊTER l'appareil au moyen de la minuterie,

- Alors que l'appareil est sous tension, enfoncer la touche de la minuterie; l'afficheur indiquera 00. Choisir le nombre d'heures qui doivent s'écouler avant l'ARRÊT de l'appareil au moyen des flèches vers le haut ou vers le bas. L'afficheur reviendra automatiquement à la température choisie après 10 secondes.
- Pour afficher le nombre d'heures qui restent avant l'ARRÊT, appuyer une seule fois sur la touche de la minuterie.
- Pour ARRÊTER la minuterie, appuyer deux fois sur cette touche.
- Un voyant vert situé à côté de la commande de minuterie s'allume pour indiquer que cette dernière est réglée.

Temporisation intégrée de trois minutes.

Lorsque cet appareil électrique ne répond ni au bloc à effleurement, ni aux commandes à distance, le débrancher de sa prise, attendre cinq secondes, puis le rebrancher.

Caractéristique de redémarrage automatique:

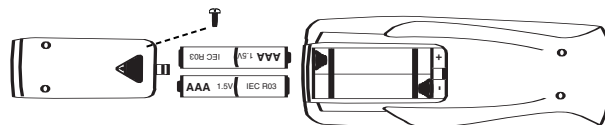
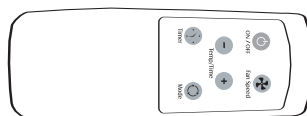
Si une panne d'électricité survient, cette caractéristique permet à l'appareil de reprendre son fonctionnement, une fois l'électricité rétablie, en retenant les réglages les plus récents.

## Télécommande de Climatiseur

Les commandes fonctionnent de la même façon que les commandes à touche de votre climatiseur.

### AVERTISSEMENTS

- Utilisez seulement de piles AAA ou IEC R03 de 1,5 volts.
- Retirez les piles si la télécommande n'est pas utilisée pendant plus d'un mois.
- N'essayez pas de recharger les piles fournies.
- Toutes les piles doivent être remplacées en même temps.
- Ne jetez pas les piles dans un feu, elles pourraient exploser.
- Ne pas mettre ensemble des piles neuves et usagées.
- Ne pas mettre ensemble les piles alcaline, standard (carbone-zinc), ou rechargeables (nickels-cadmium)
- Veiller à ce qu'un jeune enfant ne puisse avoir accès aux piles ou à d'autres petits objets qu'il pourrait avaler. Contacter immédiatement un médecin si un jeune enfant avale un objet de petite taille.



**Nettoyage du filtre à air** Toutes les deux semaines: Nettoyer le filtre

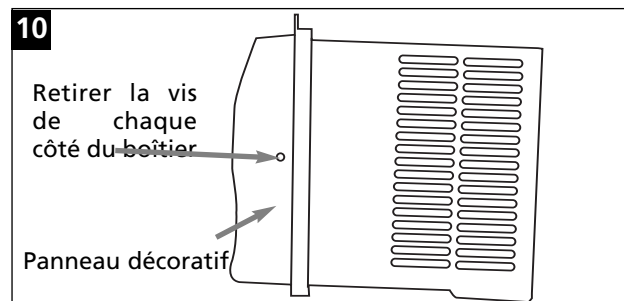
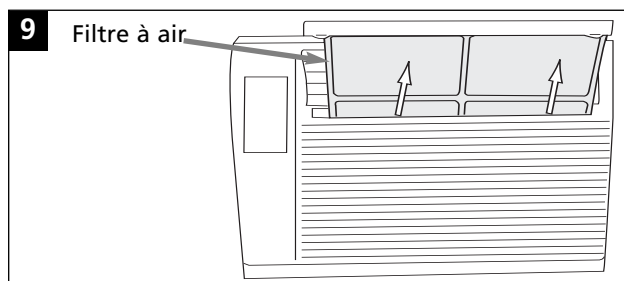
1. Mettre la commande principale sur OFF (arrêt).
2. Retirer le filtre à air en agrippant les coins supérieurs et le tirant vers le haut (Fig. 9).
3. Laver le filtre à l'eau chaude savonneuse, le rincer puis le secouer pour le faire sécher.
4. Remettre le filtre en place, en vous assurant que le devant du filtre vous fait face.
5. Pour sécher le filtre complètement, mettre l'appareil en marche pendant quelques minutes. Rappelez-vous que seul un filtre propre permet un fonctionnement correct et vous offre le rendement le meilleur à tous les niveaux.

Remarque: Le filtre à air doit être tenu propre, sous peine de constater une diminution des performances de ventilation. NE PAS faire fonctionner l'appareil sans le filtre, sous risque d'endommager l'appareil.

### Dépose du panneau frontal décoratif

1. Mettre l'appareil à l'arrêt et le débrancher.
2. Retirer les vis de chaque côté du boîtier (Fig. 10).
3. Tirer avec précaution vers l'avant tout tenant bien les deux côtés du panneau frontal décoratif.
4. Pour remettre le panneau décoratif en place, aligner les parties supérieures, inférieure et latérales, et appuyer avec précaution pour le replacer.
5. Remettre les vis en place de chaque côté. S'assurer que le panneau décoratif est solidement fixé avant de rebrancher et de faire fonctionner l'appareil.

Une utilisation et un entretien corrects de votre climatiseur vous aideront à prolonger la longévité de l'appareil. Il est recommandé de soumettre l'appareil à une inspection annuelle, ainsi que de faire nettoyer les serpentins et les conduites de condensation d'eau. Les frais d'entretien annuel sont la responsabilité du propriétaire.



**Guide de diagnostic** Pour gagner du temps et pour éviter des dépenses, étudier ce qui suit avant de contacter un centre de service agréé.

Symptôme	Causes possibles	Solutions
Le climatiseur ne fonctionne pas	<ul style="list-style-type: none"> <li>Fiche de branchement débranchée.</li> <li>Fusible grillé ou disjoncteur ouvert.</li> <li>Processus trop rapide d'arrêt/remise en marche.</li> <li>Refroidissement pas possible pour la température sélectionnée par le thermostat.</li> </ul>	<ul style="list-style-type: none"> <li>Enfoncer fermement la fiche dans la prise de courant murale.</li> <li>Remplacer le fusible par un fusible temporisé, ou réarmer le disjoncteur.</li> <li>Après un arrêt du climatiseur, attendre 3 minutes avant la remise en marche.</li> <li>Modifier le réglage du thermostat pour obtenir un refroidissement.</li> </ul>
L'air rejeté par l'appareil n'est pas suffisamment froid	<ul style="list-style-type: none"> <li>Température trop élevée sélectionnée par le thermostat.</li> <li>Température de la pièce inférieure à 21 °C (70 °F).</li> </ul>	<ul style="list-style-type: none"> <li>Sélectionner une température plus basse avec le thermostat.</li> <li>Un refroidissement ne peut pas se produire avant que la température de la pièce ne s'élève à plus de 21 °C (70 °F).</li> </ul>
L'appareil produit un refroidissement, mais la température dans la pièce demeure trop élevée – formation de glace sur l'échangeur de chaleur, derrière le panneau de façade décoratif	<ul style="list-style-type: none"> <li>Température à l'extérieur inférieure à 21 °C (70 °F).</li> <li>Filtre encrassé – bloque la circulation de l'air.</li> </ul>	<ul style="list-style-type: none"> <li>Sélectionner une température plus élevée avec le thermostat.</li> <li>Nettoyer le filtre. Voir la section «Nettoyage du filtre à air.» Pour le dégivrage, sélectionner la position FAN/VENTILATION.</li> </ul>
L'appareil produit un refroidissement, mais la température dans la pièce demeure trop élevée – PAS de formation de glace sur l'échangeur de chaleur, derrière le panneau de façade décoratif	<ul style="list-style-type: none"> <li>Filtre encrassé – bloque la circulation de l'air</li> <li>Thermostat réglé pour une température trop élevée</li> </ul>	<ul style="list-style-type: none"> <li>Nettoyer le filtre. Voir la section «Nettoyage du filtre à air.</li> <li>Sélectionner une plus basse température avec le thermostat.</li> </ul>
Émission de bruits durant le fonctionnement au mode de refroidissement	<ul style="list-style-type: none"> <li>Son dû à la circulation de l'air</li> <li>Son du ventilateur heurtant le système d'évacuation de l'humidité</li> <li>Vibration de la fenêtre – installation médiocre</li> </ul>	<ul style="list-style-type: none"> <li>Il est normal qu'on perçoive le son de circulation de l'air. S'il est trop élevé, sélectionner une plus basse vitesse pour le ventilateur.</li> <li>Ceci est normal lorsque l'humidité est élevée. Fermer les portes, les fenêtres et les bouches d'entrée d'air.</li> <li>Voir les instructions d'installation – Consulter l'installateur.</li> </ul>
Égouttement d'eau à l'intérieur lors de l'utilisation au mode de refroidissement	<ul style="list-style-type: none"> <li>Installation incorrecte</li> </ul>	<ul style="list-style-type: none"> <li>Incliner légèrement le climatiseur vers l'extérieur pour permettre l'écoulement de l'eau. Voir les instructions d'installation – Consulter l'installateur.</li> </ul>
Égouttement d'eau à l'extérieur lors de l'utilisation au mode de refroidissement	<ul style="list-style-type: none"> <li>Extraction d'une grande quantité d'humidité dans la pièce par l'appareil.</li> </ul>	<ul style="list-style-type: none"> <li>Ceci est normal lorsque l'atmosphère est très humide.</li> </ul>



## Comment obtenir un service après-vente ou des pièces sous garantie?

Remarque : Avant d'appeler le service après-vente, lisez soigneusement ce manuel d'installation et d'utilisation.

Pour les modèles installés en Amérique du Nord :

Effectuez d'abord les vérifications recommandées dans le guide de dépannage. Puis, si vous désirez encore une aide :

1. Appelez le service après-vente autorisé CareCo et donnez les numéros de modèle et de série, la date d'achat et la nature du problème. Le service après-vente vous sera fourni pendant les heures normales de travail. Contactez votre détaillant pour obtenir le nom du service après-vente autorisé si vous ne le connaissez pas.

2. Si votre détaillant ne peut pas vous donner le nom du service après-vente ou si vous désirez une autre sorte d'aide, contactez CareCo pour obtenir ce nom.

**Vous pouvez contacter CareCo par courriel :**

customerservice@fedders.com

ou en appelant le numéro sans frais suivant :

**1 800 332-6658**

ou en écrivant à :

CareCo, Service Department

415 W. Wabash Ave., P.O. Box 200

Effingham, IL 62401

**Pour les modèles installés en dehors de l'Amérique du Nord :**

Pour les climatiseurs individuels achetés pour une utilisation hors de l'Amérique du Nord, le fabricant ne fournit aucune garantie explicite ou implicite. Consultez votre détaillant local pour obtenir les conditions de la garantie fournie par l'importateur dans votre pays.

### Preuve de date d'achat

Le consommateur est responsable de la fourniture de la preuve de la date originale d'achat pour fins de garantie. Nous vous recommandons de conserver à cet usage la facture, le chèque annulé ou toute autre preuve de paiement appropriée.

Lors du retour de l'électricité, le mode minuterie peut devoir être réarmé s'il est utilisé.

## Garantie du climatiseur

(Applicable dans les 48 États-Unis limitrophes, l'état d'Hawaï, le District de Columbia, Mexico, à Porto-Rico, au Canada)

### Garantie complète (cinq ans) sur les pièces et la main d'oeuvre

Pour une période de cinq ans suivant la date d'achat par l'acheteur original, Fedders s'engage, par le biais de ses postes de service agréés et sans aucun frais de la part de l'acheteur ou de tout utilisateur subséquent, à réparer ou remplacer toute pièce défectueuse dans la matière ou la fabrication dans des conditions normales d'utilisation. Un accès rapide au conditionneur d'air pour en permettre l'entretien est la responsabilité du propriétaire.

Remarque: Dans le cas où tout remplacement de pièces est requis dans les limites de temps de cette garantie, les pièces de rechange de Fedders sont usagées et ne sont garanties que pour la période restante de la garantie originale.

## Exceptions

La garantie susmentionnée ne couvre pas les défaillances causées par des dommages subis par l'appareil tant qu'il est en votre possession (autres que les dommages dus à un défaut ou à un dérèglement), par son installation incorrecte ou par une utilisation déraisonnable de l'appareil, y compris, entre autres, l'absence d'entretien régulier et nécessaire ou le non-respect des instructions écrites d'installation et d'utilisation. Si l'appareil est utilisé à des fins commerciales, de location ou autres que domestiques, nous n'offrons aucune garantie expresse ou tacite, y compris, entre autres, des garanties tacites de qualité marchande ou d'adaptation à un usage ou objet particulier.

LES RECOURS STIPULÉS DANS LA GARANTIE EXPRESSE SUSMENTIONNÉE REPRÉSENTENT LES SEULS RECOURS EXCLUSIFS DISPONIBLES. IL N'EXISTE AUCUNE AUTRE GARANTIE EXPRESSE. TOUTES LES GARANTIES IMPLICITES, Y COMPRIS À TITRE NON LIMITATIF TOUTES GARANTIES IMPLICITES DE QUALITÉ LOYALE ET MARCHANDE ET D'UTILITÉ PARTICULIÈRE, SONT LIMITÉES À CINQ ANS À PARTIR DE LA DATE DE L'ACHAT INITIAL. FEDDERS NE SAURAIT EN AUCUN CAS ÊTRE TENU RESPONSABLE POUR LES DOMMAGES INDIRECTS, SECONDAIRES OU ACCESSOIRES, SANS ÉGARD À LA CAUSE, MÊME AU CAS OÙ FEDDERS AURAIT ÉTÉ PRÉVENU DE LA POSSIBILITÉ DE TELS DOMMAGES. AUCUNE GARANTIE, EXPRESSE OU IMPLICITE, N'EST OFFERTE À UN ACHETEUR QUELCONQUE EN CAS DE REVENTE.

Certains états n'autorisent pas les limitations de durée des garanties tacites, ni les exclusions ou limitations frappant les dommages accessoires ou indirects. Il se peut donc que les exclusions ou limitations susmentionnées ne vous soient pas opposables. La présente garantie vous confère des droits précis; vous pouvez également jouir d'autres droits qui varient d'un état à l'autre.

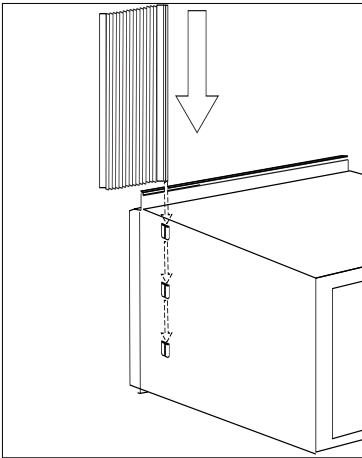
Les appareils vendus en dehors des régions susmentionnées ne sont couverts par aucune garantie. Il se peut que votre distributeur ou revendeur vous offre une garantie si vous résidez en dehors de ces régions.





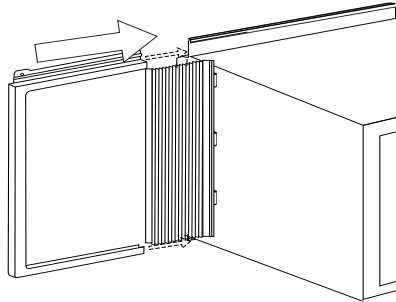
Installation Guide/Guía de instalación/Guide d'installation

1



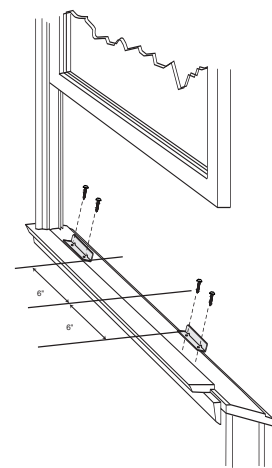
- Attach filler panels
- Paneles adjuntos de relleno
- Fixer les panneau de remplissage

2



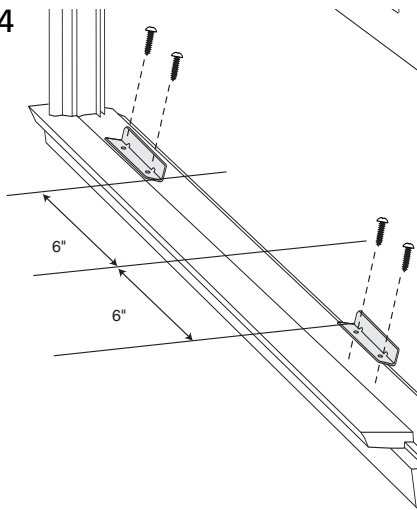
- Attach filler panel frames
- Paneles adjuntos de relleno
- Fixer les Cadre du panneau de remplissage

3



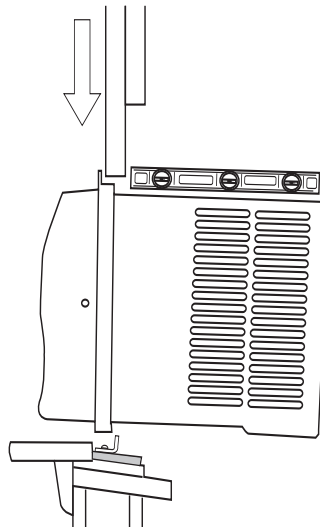
- Mark window sill – Center – 6"
- Marque el alféizar de la ventana – Centro – (222 mm)
- Marquage de l'appui de fenêtre – Centrer – 222 mm

4



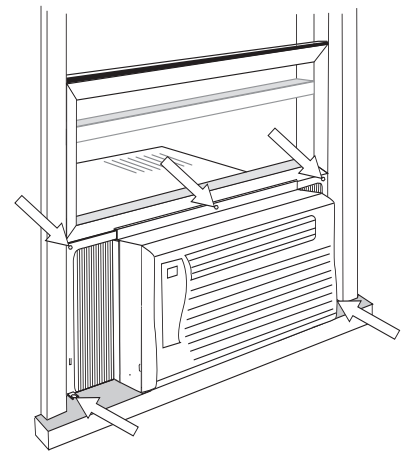
- Attach brackets
- Sujete el soporte
- Fixer l'équerre

5



- Insert air conditioner
- Coloque el aire acondicionado
- Positionner le climatiseur

6



- Fasten curtains and insert foam insulation
- Sujete las cortinas y coloque la espuma insuladora
- Fixer les rideaux et introduire l'isolant mousse

## Free Manuals Download Website

<http://myh66.com>

<http://usermanuals.us>

<http://www.somanuals.com>

<http://www.4manuals.cc>

<http://www.manual-lib.com>

<http://www.404manual.com>

<http://www.luxmanual.com>

<http://aubethermostatmanual.com>

Golf course search by state

<http://golfingnear.com>

Email search by domain

<http://emailbydomain.com>

Auto manuals search

<http://auto.somanuals.com>

TV manuals search

<http://tv.somanuals.com>