

# FAMILY MOP

## USER'S GUIDE



MODEL FM206

• IMPORTANT SAFETY INFORMATION •  
READ ALL INSTRUCTIONS BEFORE USING STEAM CLEANER  
USE ONLY AS DIRECTED.



Letter from Feiyue Yamata

Dear valued customer,

Congratulations and thank you for purchasing your new FM206 Family Steam Mop. This product was specifically designed to bring a high degree of hygienic and increasing cleansing power to your house. Turn on your new Family Steam Mop and in seconds you are ready to steam clean your floor and eliminate dirty and grime quickly and effortlessly.

We at Feiyue Yamata would like to invite you to our website and <http://www.feiyueyamata.com> for additional information on your new Family Steam Mop and many other products in our Family Line.

Thank you for your purchase,

Feiyue Yamata

**IMPORTANT: To prevent serious injuries, read and understand all warnings and instructions in this manual before use.**

**Copyright 2009 by Roe Fung / China Feiyue USA Inc. All rights reserved. No portion of this manual may be reproduced without prior consent.**

## PRODUCT SPECIFICATIONS

Electrical Requirements	120 Volts / 60Hz / 1500 Watts
Possible Surface Usages	Laminate, Hardwood, Marble, Vinyl, Slate, Ceramic, Carpet
Start-Up Time	30 – 60 Seconds
Water Tank Capacity	800 ml
Recommended Water Type	Distilled Water Recommended / Tap Water OK
Time Between Refills	Approximately 30 minutes per full tank
Unit Dimensions	Approximately 28.2 x 7.9 x 6.9 in.
Unit Weight	10.5 lbs

Save this Manual. You will need this manual for the safety warnings and precautions. Keep your purchase receipt with this manual in a safe location.

Your new Family Steam Mop FM206 was designed for DOMESTIC USE only. Any other use will void its manufacturer's warranty.

When unpacking your new Family Steam Mop FM206, check and ensure that all parts and accessories are included. Communicate any missing or broken item to your retailer immediately.

## ELECTRICAL SAFETY



Your FM206 is ETL rated. Ground appliances must be plugged into an outlet properly and installed and grounded in accordance with all codes and ordinances. Never alter or modify the electrical plug in any way. Check with a qualified electrician if you have doubts to whether your outlet is safe.

Avoid body contact with grounded surfaces such as pipes, radiators, ranges, and refrigerators and do not expose or operate this appliance in rain or other wet conditions.

Do not abuse the power cord. Never use the power cord to carry the appliance or pull the plug from an outlet. Always shut off the unit prior to removing the plug from the socket.

Discontinue the use of this appliance should the power cord is damaged in any way.

Do not leave your Family Steam Mop FM206 unattended when plugged in or not in use.

## PERSONAL SAFETY

This appliance is not a toy and should be treated as a tool. To reduce the risk of fire, electric shock and or injury, close supervision is recommended when using this product near children, elderly, pets and plants.

This unit can produce steam and might be pressurized and hot. To reduce danger of scalding, stay alert and watch what you are doing and use common sense when operating a power appliance. Do not use this appliance while tired or under the influence of drugs, alcohol or medication.

Do not handle this unit while hands are wet. Avoid accidental starting and be sure the triggering mechanism is deactivated prior to plugging the unit in the socket.

Use of safety equipment such as eye protected is recommended. Surfaces can become extremely hot during use. To avoid injuries, do not touch the surfaces or place arms or hands directly at the steam nozzles.

Do not attempt to service or modify this unit. Service should only be performed by qualified technicians. Any modification of this unit can be dangerous and will void its manufacturer's warranty.

Before refilling your Family Steam Mop FM206, always turn off the unit and unplug the cord from the outlet.

## WARNINGS

On surfaces that have been treated with wax, the wax could be removed by excessive heat and steam action. Do not use this appliance on unsealed wood floors or let the unit stand on any wood floor for an extended period of time as it might damage the surface and could cause the wood grain to rise. When using with vinyl, linoleum or any other heat sensitive surfaces, use extra caution. Excessive heat could cause the glue to melt in the flooring. It is recommended that you try this appliance on a small section of the surface before using this appliance in a large area. It is also recommended that you check the care instructions set forth by the surface manufacturer to ensure it is suitable for steam cleaning.

## ADDITIONAL INFORMATION



People with pacemakers should consult their physician(s) before using this product. Operation of electrical equipment in close proximity to heart pacemakers could cause interference or failure of the pacemaker.

Always read and adhere to steaming instructions in this manual. Manufacturer is not responsible for improper usage.

Do not use this unit without the microfiber pad as it might damage the surfaces.

Do not use this unit if it has been dropped, damaged, left outdoors or immersed in liquid.

This item is not intended for use by children.

The warnings and cautions discussed in this manual can not cover all possible conditions and situations. Please exercise common sense and caution while using this item.

Do not force the appliance. Use this appliance only what it was intended for. Do not operate the steam burst function if steam openings are blocked. Keep your work area unobstructed and well lit.

The microfiber pad can be machine washed in hot water and tumbled dry.

## CUSTOMER SUPPORT

For questions on your Family Steam Mop FM206, please refer to the troubleshooting chart. Additional inquiries should be directed to our Customer Support by emailing us at [customerservice@feiyueusa.com](mailto:customerservice@feiyueusa.com) or by phone to our toll free line at 1-888-8FEIYUE.

PROBLEM	SOLUTION
Unit is not turning ON	Ensure unit is plugged in the socket and circuit breaker is operational. Try using the unit from another socket.
Unit is not producing steam	Ensure the water reservoir is properly installed and contains water.
Steam output decreases	Possible Limescale build-up. Clean steam system and remove possible build-up.
Excessive water residue on floor	Ensure the Steam Mop is not in the same location for too long. Microfiber pad contains excessive water. Remove excess water in the pad or replace soiled pad with dry pad.

## LIMESCALE REMOVAL TIPS

If your Family Steam Mop begins to show sign of limescale build-up and to produce steam slower than usual or if it stops producing steam all together you may need to remove the build-up in the steaming



system. Limescale can develop over a period of time on some of the metal parts in the system and could greatly affect the unit's performance. It is recommended that you perform periodic tests to ensure the unit is running at its highest performance. The frequency in which limescale build-up needs to be removed will depend upon the hardness of your local tap water and the frequency in which you use your steam mop.

Although there are different ways to remove limescale build-ups, we suggest the following technique. To remove the build-up of limescale from your FAMILY STEAM MOP please follow instructions below:

1. Prepare a solution that is made of 1/2 white vinegar and 2/3 tap water and pour the solution into the water reservoir.
2. Position and secure the mop in such a way where the release of the steam from this solution can not do harm to any surrounding surfaces, objects or people.
3. Plug and start the unit as usual and activate the steam triggering mechanism once the unit is producing steam.
4. Repeat this process as many times as needed until a normal flow of steam is achieved.
5. Remove any remaining solution and rinse the water reservoir thoroughly.
6. Fill the water reservoir with regular tap water and run the unit until reservoir is empty to remove any residual solution still in the system.
7. It is recommended that every each build-up removal, a test cleaning session is made before using it on regular surfaces to ensure no debris are left in the system.

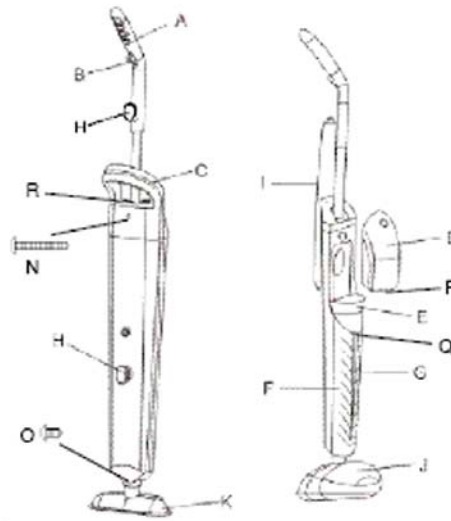
## WARRANTY INFORMATION

For US consumers only. Feiyue Yamata warrants this product for a period of 6 months from the date of the original purchase on your sales receipt against defects in materials and workmanship. This is a limited warranty and is non-transferable. This warranty does not cover damage caused by misuse, negligence, disassembly, or alteration by any person other than the technicians from Feiyue Yamata. This warranty covers labor and parts only and does not cover transportation or postage either way. All parts that have been deemed defective by Feiyue Yamata, at our discretion will be either repaired or replaced at no charge to the customer. Customer is responsible for shipping all warranty items prepaid and insured to Feiyue Yamata. Upon expiration of the warranty, you will be advised of the cost of repair before servicing is performed. If you need warranty service or have any questions regarding the coverage under this warranty, please visit our website at <http://www.feiyueusa.com/service.html>

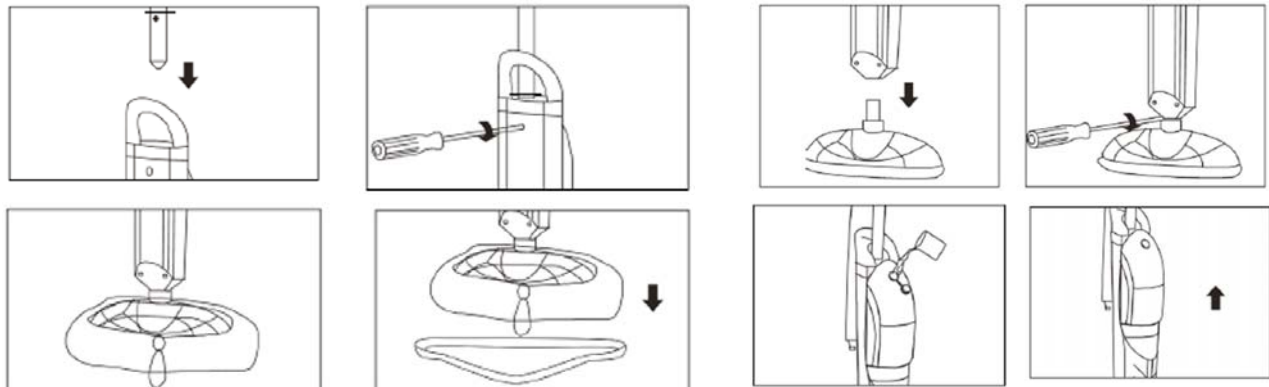
## KEY FEATURES

# FAMILY MOP

- A) HANDLE
- B) TRIGGER
- C) CARRY HANDLE
- D) WATER TANK
- E) FILTER
- F) BODY
- G) LED
- H) UPPER AND LOWER CORD WRAP/HOLDER
- I) POWER CORD
- J) HEAD
- K) MICROFIBER CLOTH PAD (or disposable pad - optional item)
- L) CARPET GLIDER
- M) MEASURING CUP
- N) LARGE SCREW
- O) SMALL SCREW
- P) BLACK RUBBER SEALS
- Q) WHITE WASHER
- R) HANDLE RING



## ASSEMBLY



- Insert handle in the body. Secure handle with provided screw.
- Insert head to the body and secure head with provided screw.
- Securely fasten washable microfiber pad on the head by pulling the cord & pressing the toggle.
- If using the Family Steam Mop FM206 on carpets, place mop head with pad over Carpet Glider.
- To remove water reservoir, pull reservoir up and detach unit from body as shown.
- Using provided cup to fill reservoir. Maximum capacity of 800 ml. Do not overfill reservoir.
- It is recommended that this appliance not used in conjunction with other high wattage appliance on the same circuit to avoid a circuit overload.
- Slowly pass over surface to clean. It is recommended to sweep/ vacuum surface prior to steam.
- To sanitize a surface, leave the Family Steam Mop over the area for a minimum of 8 secs but not longer than 15 seconds to avoid possible damage to the surface. (Results may vary)
- Never run the Family Steam Mop FM206 without water and never direct steam at any person or animal. Use the Steam Mop only on sealed floor only. When you finish using the item, shut off, turn off and unplug the unit. Allow it to cool down before storing the steam mop.

## Free Manuals Download Website

<http://myh66.com>

<http://usermanuals.us>

<http://www.somanuals.com>

<http://www.4manuals.cc>

<http://www.manual-lib.com>

<http://www.404manual.com>

<http://www.luxmanual.com>

<http://aubethermostatmanual.com>

Golf course search by state

<http://golfingnear.com>

Email search by domain

<http://emailbydomain.com>

Auto manuals search

<http://auto.somanuals.com>

TV manuals search

<http://tv.somanuals.com>