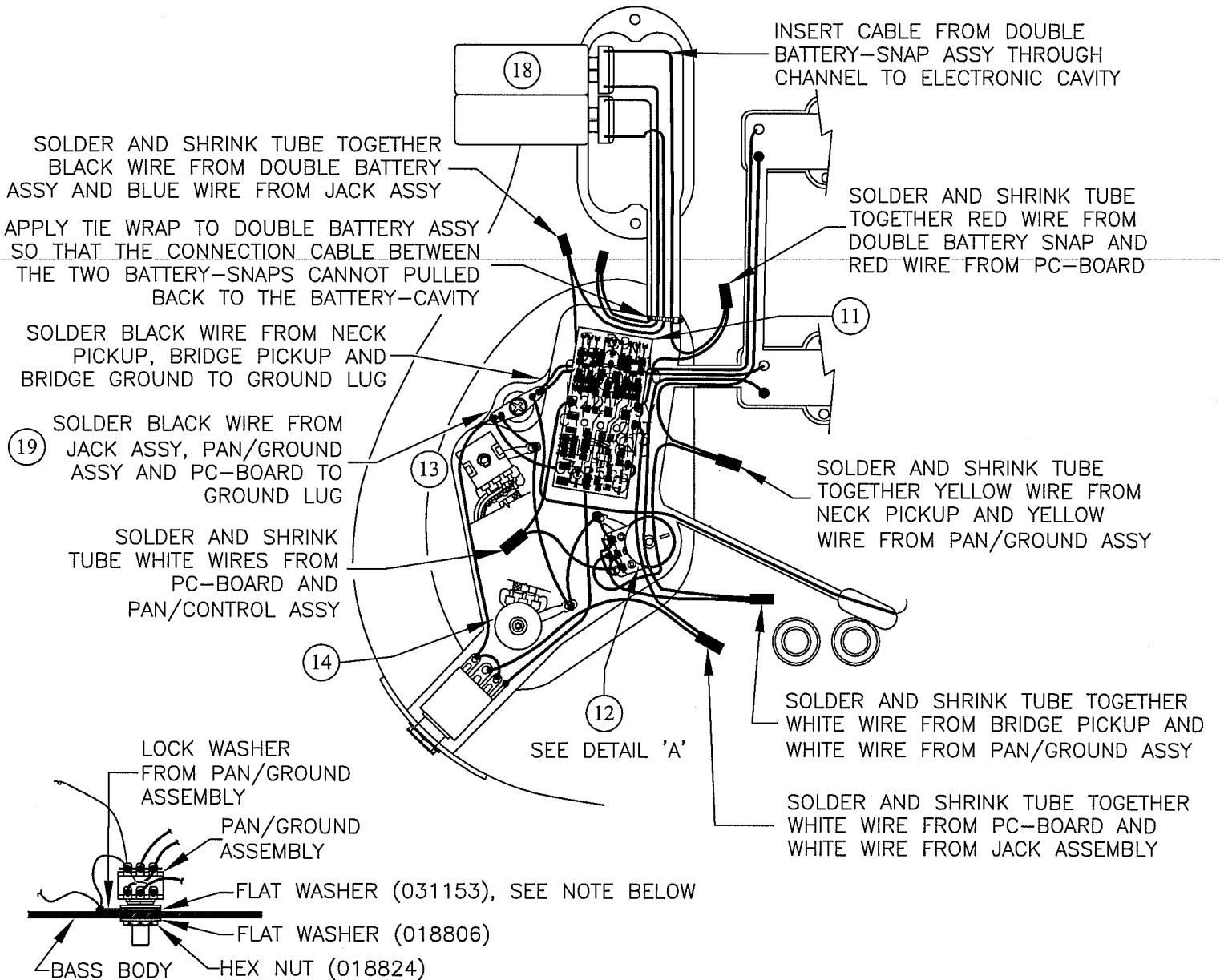
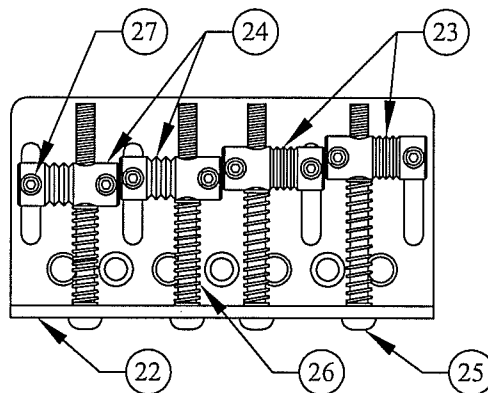


CONTROL ASSEMBLY



DETAIL 'A'
PAN CONTROL MOUNTING



BRIDGE ASSEMBLY

NOTE:
FLAT WASHER (031153) MUST BE INSTALLED AGAINST PAN POT TO AVOID FAILURE OF POT



Free Manuals Download Website

<http://myh66.com>

<http://usermanuals.us>

<http://www.somanuals.com>

<http://www.4manuals.cc>

<http://www.manual-lib.com>

<http://www.404manual.com>

<http://www.luxmanual.com>

<http://aubethermostatmanual.com>

Golf course search by state

<http://golfingnear.com>

Email search by domain

<http://emailbydomain.com>

Auto manuals search

<http://auto.somanuals.com>

TV manuals search

<http://tv.somanuals.com>