

# Installation Instructions

## Trailer Hitch Kit Part No. 5600056

Fits 2006 Simplicity Champion Series

Fits 2006 Snapper and Massey Ferguson Consumer Z Series

### Kit Contents:

Part No.	Qty.	Description
5401582	1	Hitch Plate Assembly
5401581A	1	Back Plate
5025013X20	4	3/8-16 x 2-1/2" Bolt
5025394	4	3/8-16 Nylock Flange Nut

### WARNING

Before beginning any service work turn off the PTO, set the parking brake, turn off the ignition, and disconnect the spark plug wire(s).

1. Park machine on a flat, level surface and engage the parking brake. Disengage the PTO switch, turn off the engine and remove the key from the ignition.
2. If the engine is hot, allow sufficient time for the muffler to cool to prevent a burn injury during installation.
3. Install the 3/8-16 x 2-1/2" bolts (B) through the hitch plate (A).
4. Install the hitch plate onto the bumper with the bolts in between the bottom and middle bumper tubes.
5. Install the back plate (C) and loosely secure with the 3/8-16 nylock flange nuts (D).
6. Center the hitch plate side-to-side on the bumper and tighten the hardware securely.

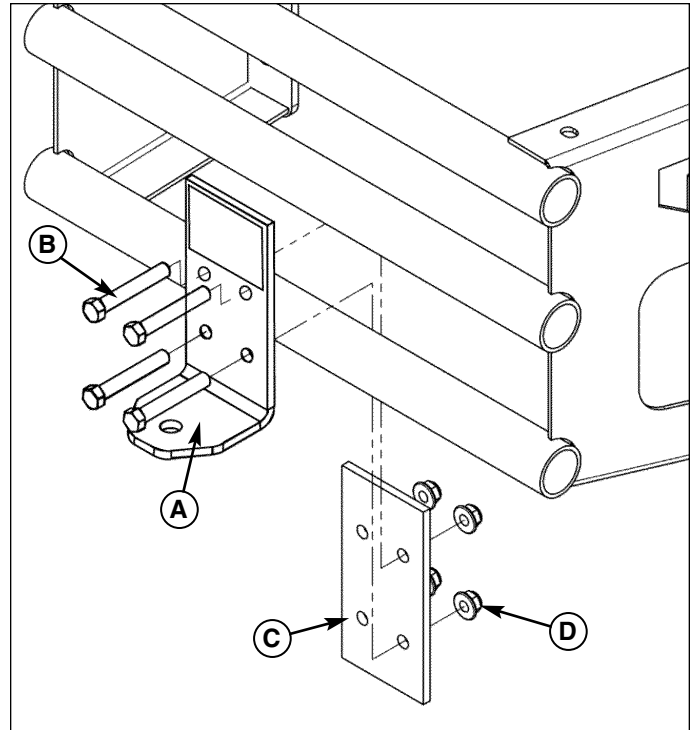


Figure 1. Install Hitch Kit

A. Hitch Plate

B. 3/8-16 x 2-1/2" Bolts (4X)

C. Back Plate

D. 3/8-16 Nylock Flange Nut (4X)

## Free Manuals Download Website

<http://myh66.com>

<http://usermanuals.us>

<http://www.somanuals.com>

<http://www.4manuals.cc>

<http://www.manual-lib.com>

<http://www.404manual.com>

<http://www.luxmanual.com>

<http://aubethermostatmanual.com>

Golf course search by state

<http://golfingnear.com>

Email search by domain

<http://emailbydomain.com>

Auto manuals search

<http://auto.somanuals.com>

TV manuals search

<http://tv.somanuals.com>