

# Installation Instructions

## 34" Mulcher Deck Kit Part No. 48550

For Derby Pacer 1334

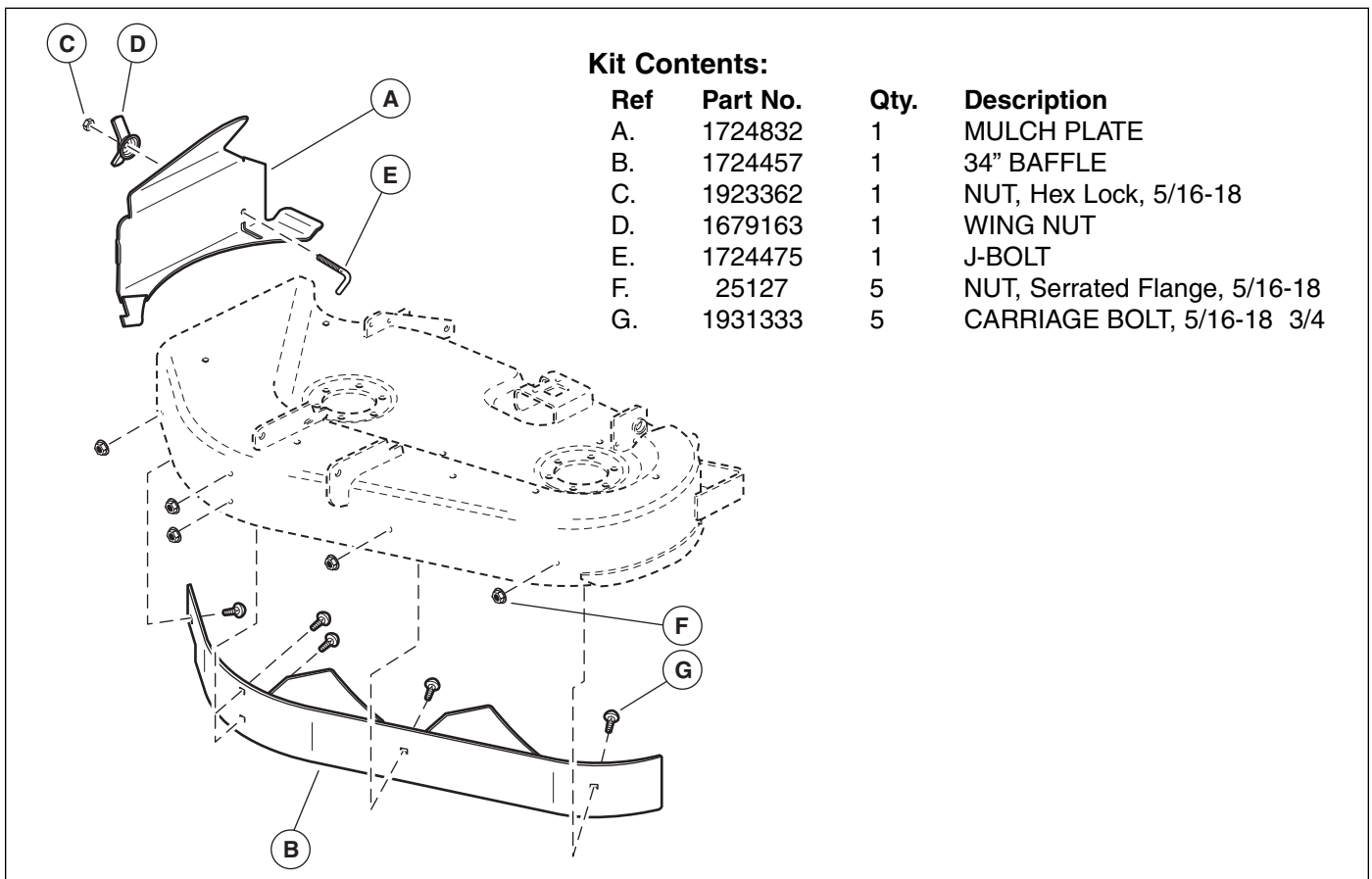


Figure 1. Kit Components

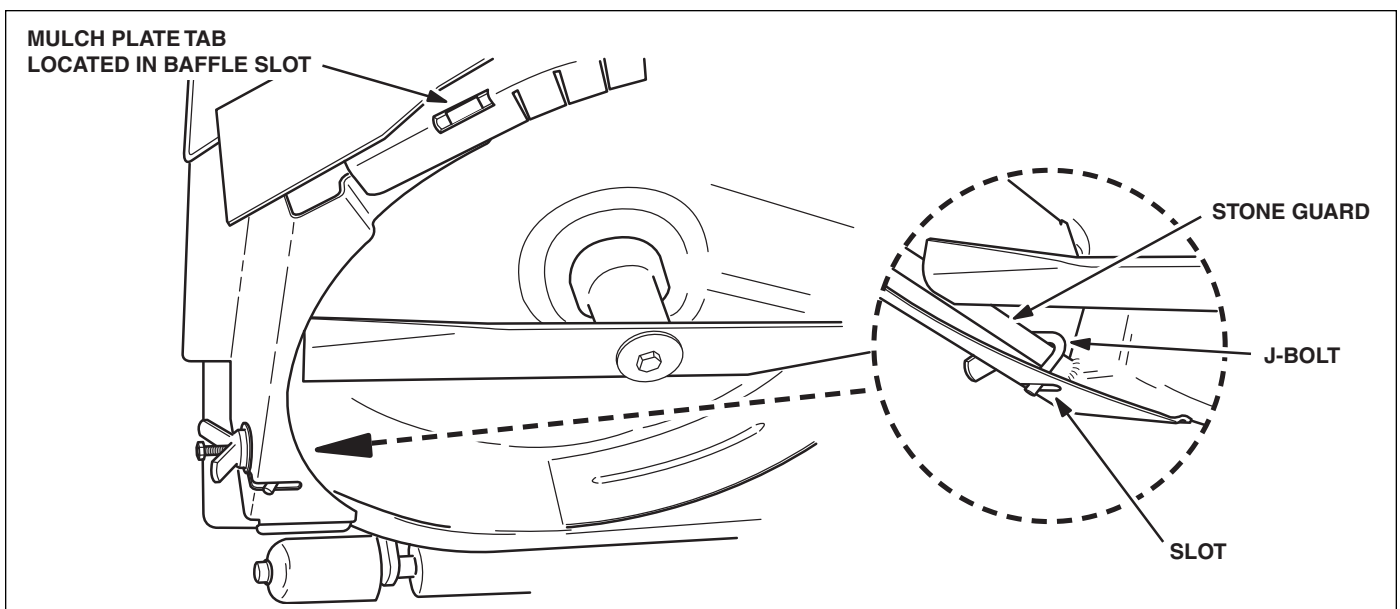


Figure 2. Mulch Plate Installation

## INSTALLATION

### **WARNING**

**Before beginning any service work turn off the PTO, set the parking brake, turn off the ignition, and disconnect the spark plug wire(s).**

1. Lift up the front of the machine and place the caster tires on jack stands or wood blocks.
2. Install the baffle (B) in the mower deck shell. Fasten with the carriage bolts (G) and serrated flange nuts (F). Leave the hardware loose.
3. While holding the discharge deflector up, install the mulch plate (A) in the discharge opening. Make sure the tab of the mulch plate is resting in the slot in the baffle (see Figure 2).
4. Install the j-bolt (E) from the inside of the deck, making sure the hook captures the stone guard and locks into the slot in the mulch plate. (See Figure 2).
5. Install the wing nut (D) on the j-bolt and tighten securely.
6. Install the lock nut (C) on the j-bolt. Only tighten the lock nut until it is flush with the end of the j-bolt. (See Figure 2).
7. Tighten the flange nuts (F) fastening the baffle to the deck shell securely.
8. To remove the mulch plate, simply loosen the wing nut and turn the j-bolt to release it from the stone guard and remove the plate from the discharge opening.

## Free Manuals Download Website

<http://myh66.com>

<http://usermanuals.us>

<http://www.somanuals.com>

<http://www.4manuals.cc>

<http://www.manual-lib.com>

<http://www.404manual.com>

<http://www.luxmanual.com>

<http://aubethermostatmanual.com>

Golf course search by state

<http://golfingnear.com>

Email search by domain

<http://emailbydomain.com>

Auto manuals search

<http://auto.somanuals.com>

TV manuals search

<http://tv.somanuals.com>