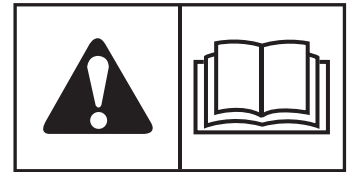




# ***OPERATOR'S MANUAL***

## ***IS2500Z Series***

### ***Zero-Turn Riding Mower***



<b>Model Number:</b>	<b>Description</b>
5900798	IS2500ZY20D52, 52" Cut Zero-Turn Riding Mower
5900799	IS2500ZY24D61, 61" Cut Zero-Turn Riding Mower
5900943	IS2500ZY20D52HT, 52" Cut Zero-Turn Riding Mower
5900500	IS2500ZY24D52, 52" Cut Zero-Turn Riding Mower
5901295	IS2500ZY24D61, 61" Cut Zero-Turn Riding Mower

This manual is available in Spanish. For a copy, contact your Ferris dealer or [www.ferrisindustries.com](http://www.ferrisindustries.com).  
Este manual está disponible en Español. Para obtener una copia, póngase en contacto con su distribuidor Ferris o [www.ferrisindustries.com](http://www.ferrisindustries.com).

**BRIGGS & STRATTON POWER PRODUCTS GROUP, LLC**  
5375 NORTH MAIN STREET  
MUNNSVILLE NY 13409  
800 933 6175

**5102575**  
Rev K

**Thank you** for purchasing this quality-built FERRIS product. We're pleased that you've placed your confidence in the FERRIS brand. When operated and maintained according to the instructions in this manual, your FERRIS product will provide many years of dependable service.

**This manual contains** safety information to make you aware of the hazards and risks associated with this machine and how to avoid them. This machine is designed and intended to be used and maintained according to the manual and operated by trained professionals for finish cutting of established lawns and is not intended for any other purpose. It is important that you read and understand these instructions thoroughly before attempting to start or operate this equipment. **Save these original instructions for future reference.**

PRODUCT REFERENCE DATA	
Unit Model Number	Unit SERIAL Number
Mower Deck Model Number	Mower Deck SERIAL Number
Dealer Name	Date Purchased
ENGINE REFERENCE DATA	
Engine Make	Engine Model
Engine Type/Spec	Engine Code/Serial Number

See Page 11 for the location of Identification Numbers

Briggs & Stratton Power Products Group, LLC.  
 Copyright © 2013 Briggs & Stratton Corporation  
 Milwaukee, WI, USA. All rights reserved.

FERRIS is a trademark of Briggs & Stratton Corporation  
 Milwaukee, WI, USA.

Contact Information:

Briggs & Stratton Power Products Group, LLC.  
 5375 N. Main St.  
 Munnsville, NY 13409-4003  
 (800) 933-6175  
 www.ferrisindustries.com

**⚠ WARNING**  
 Engine exhaust from this product contains chemicals known by the State of California to cause cancer, birth defects, or other reproductive harm.

**⚠ WARNING**  
 Battery posts, terminals, and related accessories contain lead and lead compounds — chemicals known to the State of California to cause cancer or reproductive harm. Wash hands after handling.

# Table of Contents

<b>Operator Safety .....</b>	<b>2</b>	<b>Troubleshooting, Adjustments &amp; Service.....</b>	<b>38</b>
Identification Numbers .....	11	Troubleshooting the Tractor.....	38
Safety Decals.....	12	Troubleshooting the Mower .....	39
Safety Alert Symbol & Signal Words .....	13	Troubleshooting Common Cutting Problems.....	40
Safety Icons .....	13	Seat Adjustment.....	41
Safety Interlock System .....	14	Ground Speed Control Lever Adjustment.....	41
<b>Features &amp; Controls .....</b>	<b>15</b>	Speed Balancing Adjustment.....	41
Control Functions.....	15	Neutral Adjustment .....	42
<b>Operation.....</b>	<b>17</b>	Return to Neutral Adjustment .....	42
General .....	17	Parking Brake Adjustment .....	43
Checks Before Starting.....	17	Suspension Adjustment .....	44
Priming The Fuel System .....	18	Mowing Height Adjustment .....	45
Starting the Engine .....	19	Foot Pedal Adjustment .....	45
Stopping the Rider .....	19	Deck Lift Rod Timing Adjustment .....	46
Pushing the Rider by Hand.....	19	Deck Leveling Adjustment .....	47
Zero Turn Driving Practice.....	20	Deck Lift Spring .....	48
Mowing.....	22	Hydraulic Pump Drive Belt Replacement .....	49
Mowing Recommendations.....	22	PTO Clutch Belt Replacment.....	51
Mowing Methods.....	23	Mower Belt Replacement.....	52
Attaching a Trailer.....	24	Deck Shut Down Module .....	53
Raise & Lower the Roll Bar .....	25	Battery Service.....	54
Storage .....	26	<b>Specifications .....</b>	<b>56</b>
Starting After Long Term Storage.....	26		
<b>Regular Maintenance .....</b>	<b>27</b>		
Maintenance Schedule .....	27		
Checking Tire Pressures .....	27		
Checking/Adding Fuel.....	28		
Fuel Filter .....	28		
Service Air Filter .....	29		
Check / Add Engine Oil .....	29		
Change Engine Oil.....	29		
Check Hydraulic Oil Level.....	30		
Hydraulic Oil Filter Change.....	30		
Check Engine Coolant Level .....	31		
Change Engine Coolant.....	31		
Clean Radiator & Screen .....	31		
Lubrication .....	32		
Cleaning the Battery & Cables .....	34		
Servicing the Mower Blades .....	35		
Fuse Location .....	37		
Gearbox Maintenance.....	37		

*NOTE: In this manual, "left" and "right" are referred to as seen from the operating position.*

## Operating Safety



Congratulations on purchasing a superior-quality piece of lawn and garden equipment. Our products are designed and manufactured to meet or exceed all industry standards for safety.

Do not operate this machine unless you have been trained. Reading and understanding this operator's manual is a way to train yourself.

Power equipment is only as safe as the operator. If it is misused, or not properly maintained, it can be dangerous! Remember, you are responsible for your safety and that of those around you.

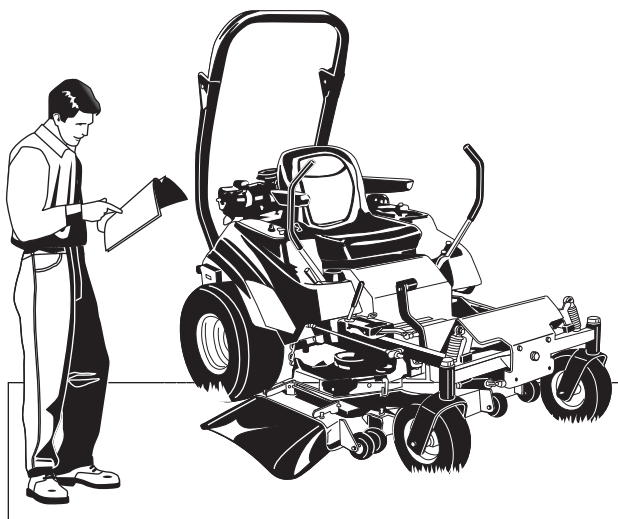
Use common sense, and think through what you are doing. If you are not sure that the task you are about to perform can be safely done with the equipment you have chosen, ask a professional: contact your local authorized dealer.

## Read the Manual

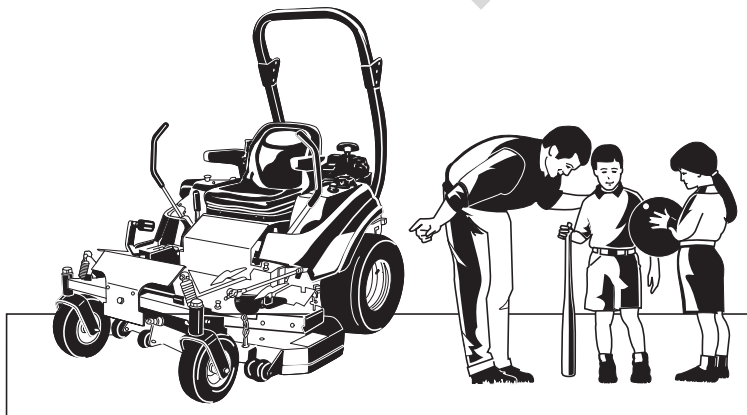
The operator's manual contains important safety information you need to be aware of **BEFORE** you operate your unit as well as **DURING** operation.

Safe operating techniques, an explanation of the product's features and controls, and maintenance information is included to help you get the most out of your equipment investment.

Be sure to completely read the Safety Rules and Information found on the following pages. Also completely read the Operation section.



## Children



Tragic accidents can occur with children. Do not allow them anywhere near the area of operation. Children are often attracted to the unit and mowing activity. Never assume that children will remain where you last saw them. If there is a risk that children may enter the area where you are mowing, have another responsible adult watch them.

## Slope Operation



Operation on slopes can be dangerous. Using the unit on a slope that is too steep where you do not have adequate wheel traction (and control) can cause sliding, loss of steering, control, and possible rollover. You should not operate on a slope greater than a 5.4 foot rise over a 20 foot length (15 degrees).

Always mow across slopes, not up and down (to maintain traction on the wheels) and avoid sudden turns or rapid speed changes. Reduce speed and use extreme caution on ALL slopes.

Also, note that the surface condition you are on can greatly impact your ability to safely operate this machine. Operating on wet or slippery slopes can cause sliding and loss of steering and control. Do not operate on slopes that are slippery, wet, or have soft soil conditions.

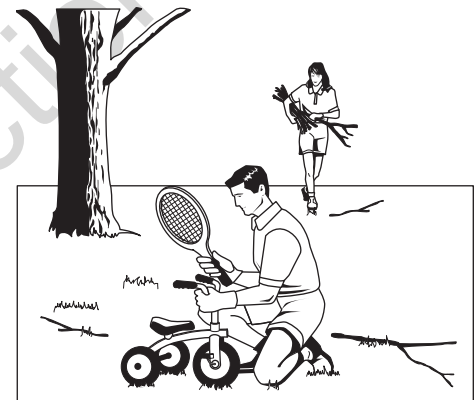
If you feel unsure about operating the unit on a slope, don't do it. It's not worth the risk.

## Thrown Objects

This unit has spinning mower blades. These blades can pick up and throw debris that could seriously injure a bystander. Be sure to clean up the area to be mowed and remove objects that could be thrown by the blade **BEFORE** you start mowing.

Do not operate this unit without the entire grass catcher or discharge guard (deflector) in place.

Also, do not allow anyone in the area while the unit is running! If someone does enter the area, shut the unit off immediately until they leave.

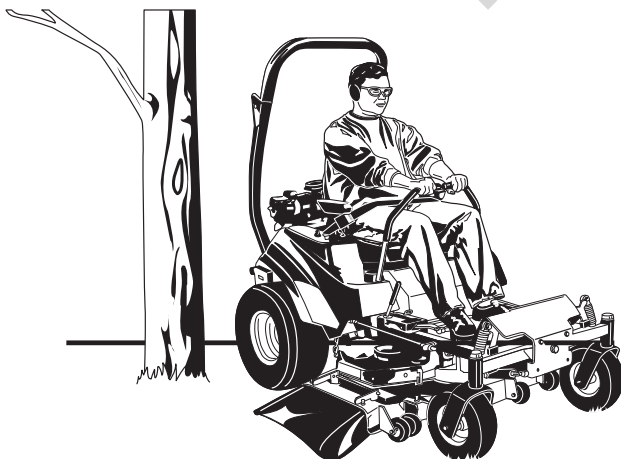


## Moving Parts

This equipment has many moving parts that can injure you or someone else. However, if you stay in the operator zone (stay seated in the seat), and follow the safety rules in this operator's manual, the unit is safe to operate.

The mower deck has spinning mower blades that can amputate hands and feet. Do not allow anyone near the unit while it is running! Keep safety devices (guards, shields, and switches) in place and working.

To help you, the operator, use this equipment safely, it is equipped with an operator-present safety system. Do **NOT** attempt to alter or bypass the system. See your dealer immediately if the system does not pass all the safety interlock system tests found in this manual.

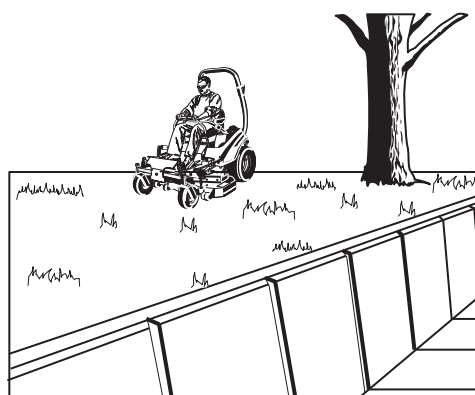




## Roll Bar Use

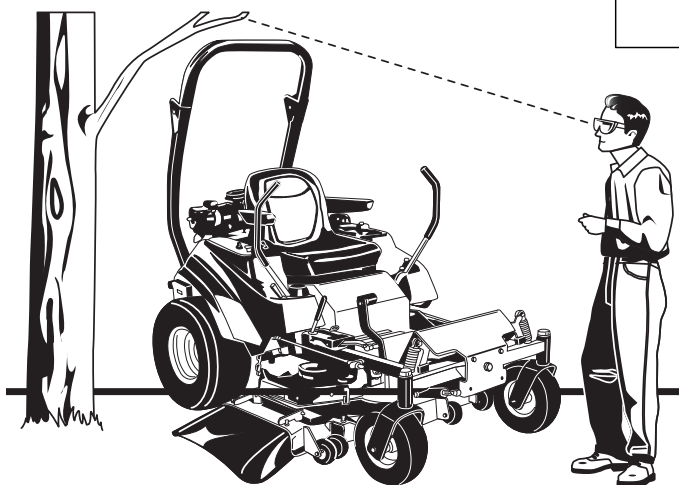
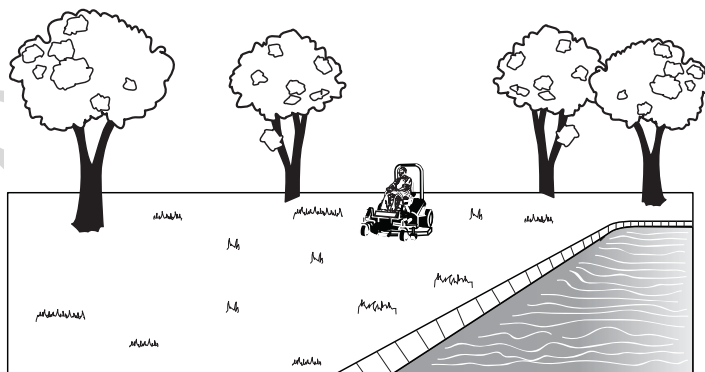
Keep the roll bar in the raised position and fasten the seat belt. There is no roll over protection when the roll bar is down! Do not jump off if the mower tips (it is safer to be secured by the seat belt with the roll bar raised.)

Lower the roll bar only when necessary (such as to temporarily clear a low overhanging obstacle) and NEVER remove it. Do NOT use the seat belt when the roll bar is down. Raise the roll bar as soon as clearance permits.



## Retaining Walls, Drop-offs, and Water

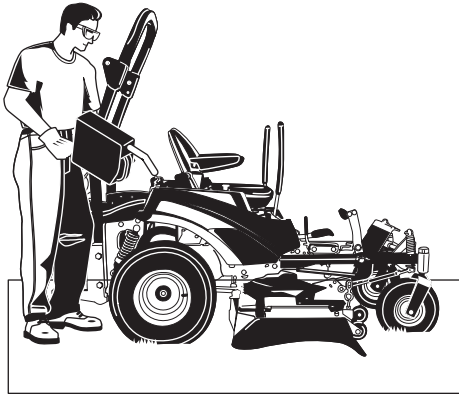
Retaining walls and drop-offs around steps and water are a common hazard. Give yourself a minimum of two mower widths of clearance around these hazards and hand-trim with a walk behind mower or string trimmer. Wheels dropping over retaining walls, edges, ditches, embankments, or into water can cause rollovers, which may result in serious injury, death, or drowning.



## Overhead Obstacles

Check for overhead clearances before driving under any objects. Do not allow the roll bar to contact low overhanging obstacles such as tree branches and guide wires.





## Fuel and Maintenance

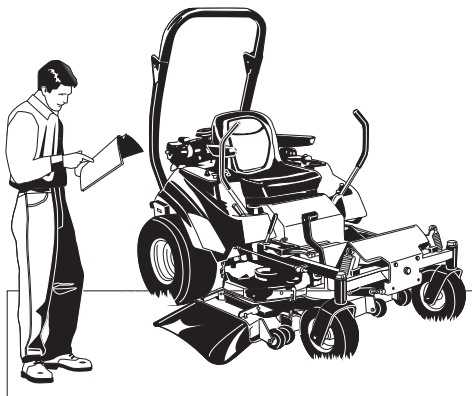
Always disengage all drives, shutoff the engine, and remove the key before doing any cleaning, refueling, or servicing.

Gasoline and its vapors are extremely flammable. Do not smoke while operating or refueling. Do not add fuel while engine is hot or running. Allow engine to cool for at least 3 minutes prior to adding fuel.

Do not add fuel indoors, in an enclosed trailer, garage, or any other enclosed area that is not well ventilated. Gasoline spills should be cleaned up promptly and before operation begins.

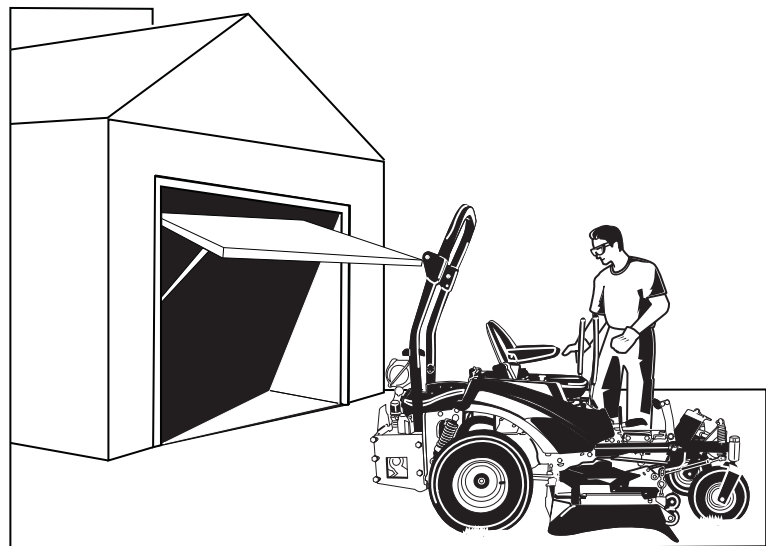
Gasoline should be stored only in sealed containers approved for fuel.

Proper maintenance is critical to the safety and performance of your unit. Keep the unit free of grass, leaves, and excess oil. Be sure to perform the maintenance procedures listed in this manual, especially periodically testing the safety system.




## Enclosed Areas

Only operate this unit outdoors and away from unventilated areas such as inside garages or enclosed trailers. The engine emits poisonous carbon monoxide gas and prolonged exposure in an enclosed area can result in serious injury or death.





Read these safety rules and follow them closely. Failure to obey these rules could result in loss of control of unit, severe personal injury or death to you, or bystanders, or damage to property or equipment. **This mowing deck is capable of amputating hands and feet and throwing objects.** The triangle  in text signifies important cautions or warnings which must be followed.

## TRAINING

1. Read, understand, and follow all instructions in the manual and on the unit before starting. If the operator(s) or mechanic(s) can not read English it is the owner's responsibility to explain this material to them.
2. Become familiar with the safe operation of the equipment, operator controls, and safety signs.
3. All operators and mechanics should be trained. The owner is responsible for training the users.
4. Only allow responsible adults, who are familiar with the instructions, to operate the unit.
5. Never let children or untrained people operate or service the equipment. Local regulations may restrict the age of the operator.
6. The owner/user can prevent and is responsible for accidents or injuries occurring to themselves, other people or property.
7. Data indicates that operators, age 60 years and above, are involved in a large percentage of riding mower-related injuries. These operators should evaluate their ability to operate the riding mower safely enough to protect themselves and others from serious injury.

## PREPARATION

1. Evaluate the terrain to determine what accessories and attachments are needed to properly and safely perform the job. Use only accessories and attachments approved by the manufacturer.
2. Wear appropriate clothing including safety shoes, safety glasses and ear protection. Long hair, loose clothing or jewelry may get tangled in moving parts.
3. Inspect the area where the equipment is to be used and remove all objects such as rocks, toys and wire, which can be thrown by the machine.
4. Use extra care when handling gasoline and other fuels. They are flammable and vapors are explosive.
  - a) Use only an approved container.
  - b) Never remove fuel cap or add fuel with the engine running. Allow engine to cool before refueling. Do not smoke.
  - c) Never refuel or drain the machine indoors.
5. Check that operator's presence controls, safety switches and shields are attached and functioning properly. Do not operate unless they are functioning properly.

## OPERATION

1. Never run an engine in an enclosed area.

2. Mow only in the daylight or with good artificial light, keeping away from holes and hidden hazards.
3. Be sure all drives are in neutral and parking brake is engaged before starting engine. Only start engine from the operator's position. Use seat belts if provided.
4. Be sure of your footing while using pedestrian controlled equipment, especially when backing up. Walk, don't run. Reduced footing could cause slipping.
5. Slow down and use extra care on hillsides. Be sure to travel in the recommended direction on hillsides. Turf conditions can affect the machines stability. Use caution when operating near drop-offs.
6. Do not mow in reverse unless absolutely necessary. Always look down and behind before and while traveling in reverse.
7. Be aware of the mower discharge direction and do not point it at anyone. Do not operate the mower without either the entire grass catcher or the deflector in place.
8. Slow down and use caution when making turns and when changing directions on slopes.
9. Never raise deck with the blades running.
10. Never leave a running unit unattended. Always disengage the PTO, set parking brake, stop engine, and remove keys before dismounting. Keep hands and feet away from the cutting units.
11. Turn off the PTO switch to disengage the blades when not mowing.
12. Never operate with guards not securely in place. Be sure all interlocks are attached, adjusted properly and functioning properly.
13. Never operate with the discharge deflector raised, removed or altered, unless using a grass catcher.
14. Do not change the engine governor setting or overspeed the engine.
15. Stop on level ground, lower implements, disengage drives, engage parking brake, shut off engine before leaving the operator's position for any reason including emptying the grass catchers or unclogging the chute.
16. Stop equipment and inspect blades after striking objects or abnormal vibration occurs. Make necessary repairs before resuming operations.
17. Keep hands and feet away from the cutting units.
18. Look behind and down before backing up to be sure of a clear path.
19. Never carry passengers and keep pets and bystanders away.
20. Do not operate the unit while under the influence of alcohol or drugs.
21. Slow down and use caution when making turns and crossing roads and sidewalks. Stop blades if not mowing.
22. Use care when loading or unloading the machine into a trailer or truck.



23. Use care when approaching blind corners, shrubs, trees or other objects that may obscure vision.
24. To reduce fire hazard, keep unit free of grass, leaves & excess oil. Do not stop or park over dry leaves, grass or combustible materials.

## **WARNING**

**It is a violation of California Public Resource Code, Section 4442, to use or operate the engine on any forest-covered, brush-covered or grass-covered land unless the exhaust system is equipped with a spark arrester, as defined in Section 4442, maintained in effective working order. Other states or federal jurisdictions may have similar laws. Contact an Authorized Service Dealer to obtain a spark arrester designed for the exhaust system installed on this engine.**

25. OSHA regulations may require the use of hearing protection when exposed to sound levels greater than 85 dBA for an 8 hour time period.

## **CAUTION**



**This machine produces sound levels in excess of 85 dBA at the operator's ear and can cause hearing loss though extended periods of exposure.**

**Wear hearing protection when operating this machine.**

## **SLOPE OPERATION**

Slopes are a major factor related to loss-of-control and tip-over accidents, which can result in severe injury or death. All slopes require extra caution. If you cannot back up the slope or if you feel uneasy on it, do not drive on it.

## **WARNING**

**Do not use this machine on slopes greater than 15°.\***

**Select slow ground speed before driving onto slope. Use extra caution when operating on slopes with rear-mounted grass catchers.**

**Mow across the face of slopes, not up and down, use caution when changing directions and DO NOT START OR STOP ON SLOPE.**

### **Do**

1. Mow across slopes, not up and down.
2. Remove obstacles such as rocks, tree limbs, etc.
3. Watch for holes, ruts, or bumps. Uneven terrain could overturn the unit. Tall grass can hide obstacles.
4. Use slow speed. Choose a slow speed so that you will not have to stop or change speed while on the slope.

5. Use extra care with grass catchers or other attachments. These can change the stability of the unit.
6. Keep all movement on the slopes slow and gradual. Do not make sudden changes in speed or direction.
7. See your authorized dealer for recommendations of available weights to improve stability.

### **Do Not**

1. Avoid starting, stopping, or turning on a slope. If tires lose traction (i.e. machine stops forward motion on a slope), disengage the blade(s) (PTO) and drive slow off the slope.
2. Do not turn on slopes unless necessary, and then, turn slowly and gradually uphill, if possible. Never mow down slopes.
3. Do not mow near drop-offs, ditches, or embankments. The operator could lose footing or balance or mower could suddenly turn over if a wheel is over the edge of a cliff or ditch, or if an edge caves in.
4. Do not mow on wet grass. Reduced footing or traction could cause sliding.
5. Do not try to stabilize the unit by putting your foot on the ground. (ride-on units)
6. Do not mow excessively steep slopes.
7. Do not use grass catcher on steep slopes.
8. Do not mow slopes if you cannot back up them.

## **TOWED EQUIPMENT (RIDE-ON UNITS)**

1. Tow only with a machine that has a hitch designed for towing. Do not attach towed equipment except at the hitch point.
2. Follow the manufacturer's recommendations for weight limit for towed equipment and towing on slopes. See attaching a trailer under OPERATION.
3. Never allow children or others in or on towed equipment.
4. On slopes, the weight of the towed equipment may cause loss of traction and loss of control.
5. Travel slowly and allow extra distance to stop.
6. Do not shift to neutral and coast down hill.

## **CHILDREN**

Tragic accidents can occur if the operator is not alert to the presence of children. Children are often attracted to the unit and the mowing activity. Never assume that children will remain where you last saw them.

1. Keep children out of the mowing area and under the watchful care of another responsible adult.
2. Be alert and turn unit off if children enter the area.
3. Before and during reverse operation, look behind and down for small children.
4. Never carry children, even with the blade(s) off. They may fall off and be seriously injured or interfere with safe unit operation. Children who have been given rides in the past may suddenly appear in the mowing area for another ride and be run over or backed over by the machine.
5. Never allow children to operate the unit.
6. Use extra care when approaching blind corners, shrubs, trees, or other objects that may obscure vision.

\*This limit was determined per CEN Standard EN 836:1997, Section 5.2.2 and is based on the EN 836 Stability Test procedure described in Section 4.2.4.2. The 15 degree "limit of stability" is equal to 50% of the angle at which machine lift-off occurred in static tests. Actual dynamic stability may vary depending on operating conditions.

## EMISSIONS

1. Engine exhaust from this product contains chemicals known, in certain quantities, to cause cancer, birth defects, or other reproductive harm.
2. Look for the relevant Emissions Durability Period and Air Index information on the engine emissions label.

## IGNITION SYSTEM (GASOLINE MODELS)

1. This spark ignition system complies with Canadian ICES-002.

## SERVICE AND MAINTENANCE

**To avoid personal injury or property damage, use extreme care in handling gasoline. Gasoline is extremely flammable and the vapors are explosive.**

### Safe Handling of Gasoline

1. Extinguish all cigarettes, cigars, pipes, and other sources of ignition.
2. Use only approved gasoline containers.
3. Never remove the gas cap or add fuel with the engine running. Allow the engine to cool before refueling.
4. Never fuel the machine indoors.
5. Never store the machine or fuel container where there is an open flame, spark, or pilot light such as near a water heater or other appliance.
6. Never fill containers inside a vehicle or on a truck bed with a plastic bed liner. Always place containers on the ground away from your vehicle before filling.
7. Remove gas-powered equipment from the truck or trailer and refuel it on the ground. If this is not possible, then refuel such equipment on a trailer with a portable container, rather than from a gasoline dispenser nozzle.
8. Keep nozzle in contact with the rim of the fuel tank or container opening at all times until fueling is complete. Do not use a nozzle lock-open device.
9. If fuel is spilled on clothing, change clothing immediately.
10. Never over-fill the fuel tank. Replace gas cap and tighten securely.
11. Use extra care in handling gasoline and other fuels. They are flammable and vapors are explosive.
12. If fuel is spilled, do not attempt to start the engine but move the machine away from the area of spillage and avoid creating any source of ignition until fuel vapors have dissipated.
13. Replace all fuel tank caps and fuel container caps securely.

### Maintenance and Storage

1. Always observe safe refueling and fuel handling practices when refueling the unit after transportation or storage.
2. Always follow the engine manual instructions for storage preparations before storing the unit for both short and long term periods.
3. Always follow the engine manual instructions for proper start-up procedures when returning the unit to service.
4. Never store the machine or fuel container inside

- where there is an open flame, such as in a water heater. Allow unit to cool before storing.
5. Shut off fuel while storing or transporting. Do not store fuel near flames or drain indoors.
6. Keep all hardware, especially blade attachment bolts, tight and keep all parts in good working condition. Replace all worn or damaged decals.
7. Never tamper with safety devices. Check their proper operation regularly.
8. Disengage drives, lower implement, set parking brake, stop engine and remove key or disconnect spark plug wire. Wait for all movement to stop before adjusting, cleaning or repairing.
9. Clean grass and debris from cutting units, drives, mufflers, and engine to prevent fires. Clean up oil or fuel spillage.
10. Let engine cool before storing and do not store near flame.
11. Stop and inspect the equipment if you strike an object. Repair, if necessary, before restarting.
12. Park machine on level ground. Never allow untrained personnel to service machine.
13. Use jack stands to support components when required.
14. Carefully release pressure from components with stored energy.
15. Disconnect battery or remove spark plug wire before making any repairs. Disconnect the negative terminal first and the positive last. Reconnect positive first and negative last.
16. Use care when checking blades. Wrap the blade(s) or wear gloves, and use caution when servicing them. Only replace blades. Never straighten or weld them.
17. Keep hands and feet away from moving parts. If possible, do not make adjustments with the engine running.
18. Charge batteries in an open well ventilated area, away from spark and flames. Unplug charger before connecting or disconnecting from battery. Wear protective clothes and use insulated tools.
19. Grass catcher components are subject to wear, damage, and deterioration, which could expose moving parts or allow objects to be thrown. Frequently check components and replace with manufacturer's recommended parts, when necessary.
20. Check brake operation frequently. Adjust and service as required.
21. Use only factory authorized replacement parts when making repairs.
22. Always comply with factory specifications on all settings and adjustments.
23. Only authorized service locations should be utilized for major service and repair requirements.
24. Never attempt to make major repairs on this unit unless you have been properly trained. Improper service procedures can result in hazardous operation, equipment damage and voiding of manufacturer's warranty.
25. Units with hydraulic pumps, hoses, or motors: **WARNING:** Hydraulic fluid escaping under pressure may have sufficient force to penetrate skin and cause serious injury. If foreign fluid is injected into the skin it must be surgically removed within a few hours by a doctor familiar with this form of injury or gangrene may result. Keep body and hands away from pin holes or nozzles that eject hydraulic fluid under high pressure. Use paper or cardboard, and not hands, to search for

leaks. Make sure all hydraulic fluid connections are tight and all hydraulic hoses and lines are in good condition before applying pressure to the system. If leaks occur, have the unit serviced immediately by your authorized dealer.

26. **WARNING:** Stored energy device. Improper release of springs can result in serious personal injury. Springs should be removed by an authorized technician.
27. Models equipped with an engine radiator: **WARNING:** Stored energy device. To prevent serious bodily injury from hot coolant or steam blow-out, never attempt to remove the radiator cap while the engine is running. Stop the engine and wait until it is cool. Even then, use extreme care when removing the cap.

## ROLL BAR INSTRUCTIONS

For models equipped with factory-installed Roll Over Protection System (ROPS).

### **WARNING**

**In order to avoid serious injury or death from roll over, it is important to follow the warnings listed below.**

#### OPERATIONAL WARNINGS

- Always use the seat belt when the roll bar is in the raised position.
- Never use the seat belt when the roll bar is in the down position.
- Remember there is no roll over protection when the roll bar is in the down position so it is very important to always keep the roll bar in the raised position whenever possible.
- Lower the roll bar to the down position only when it is absolutely necessary.
- Check for overhead clearances before driving under any objects. Do not allow roll bar to contact low overhanging obstacles such as tree branches and guide wires.
- Never remove the roll bar from the vehicle.
- Do not exceed the machine weight rating of the roll bar.
- Read and follow all of the instructions shown below regarding the inspection and maintenance of the roll bar structure and the seat belt.

#### INSPECTION OF THE ROLL BAR PROTECTIVE STRUCTURE

### **WARNING**

**Failure to properly inspect and maintain the ROLL BAR protective structure can cause serious injury or death.**

A ROLL BAR, like any other safety device, needs to be periodically inspected to verify that the integrity of the device has not been compromised through normal machine use, misuse, age degradation, modifications, or a roll over.

To maintain operator roll over protection and roll bar effectiveness:

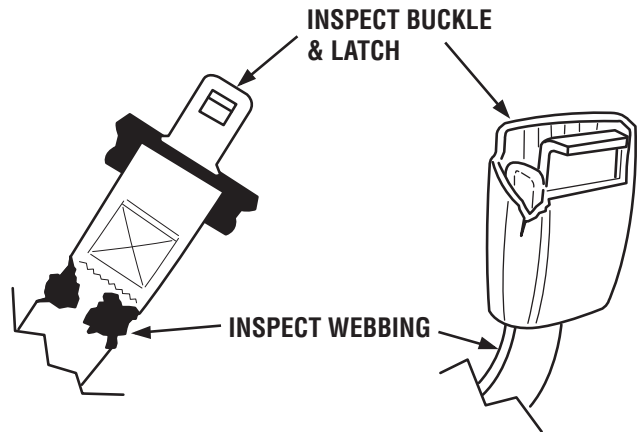
- If a ROLL BAR becomes damaged for any reason, such as a collision, roll over or impact, the ROLL BAR must be replaced. Small undetectable cracks can reduce the effectiveness of the ROLL BAR. Never weld, straighten, or repair the ROLL BAR.
- Never alter the ROLL BAR by welding anything to it or by drilling additional holes.
- **BEFORE FIRST TIME USE** - Inspect the ROLL BAR structure and mounting hardware for:
  - 1) Check to make sure the machine GVW (Gross Vehicle Weight), including attachments, restrained payload, fuel and operator, is not in excess of the maximum weight specified on the ROLL BAR label.
  - 2) Make sure there isn't any missing, damaged, or loose mounting hardware.
  - 3) Make sure the ROLL BAR has been correctly and completely installed.
- **EVERY 100 HOURS** - Inspect the ROLL BAR structure and mounting hardware for:
  - 1) Any cracks in the structure (structural members and/or welds).
  - 2) Significant corrosion on any part of the ROLL BAR structure or hardware.
  - 3) Missing, damaged, or loose mounting hardware
  - 4) Mounting hardware that is of a grade lesser than specified.
  - 5) Machine GVW (Gross Vehicle Weight), including attachments, restrained payload, fuel and operator, in excess of the maximum weight specified on the ROLL BAR label.
  - 6) Any modifications that have been made, such as unauthorized welds and holes.
  - 7) Any permanent deformation or twisting of the ROLL BAR structure.
  - 8) That the ROLL BAR label is still in place and is readable.
  - 9) That the ROLL BAR on-product warning labels are still on the ROLL BAR and are readable.
- If there is any doubt as to the condition of the ROLL BAR, remove the machine from service and contact your dealer for assistance.

## **! WARNING**

Failure to properly inspect and maintain the seat belt can cause serious injury or death.

### **INSPECTION AND MAINTENANCE OF THE ROLL BAR SEAT BELT**

- The seat belt like the ROLL BAR, needs to be periodically inspected to verify that the integrity has not been compromised through normal machine use, misuse, age degradation, modifications, or a roll over. If the seat belt does not pass all of the following tests, it should be replaced.
- **BEFORE EACH USE** – Conduct the following inspections/maintenance of the seat belt and retraction mechanism:
  - 1) Check for dirt or debris in the retraction mechanism. If dirt or debris is found, it should be removed.
  - 2) Check to make sure the retraction mechanism retracts easily and completely.
  - 3) Check for damage to any part of the seat belt such as nicks, cuts, loose stitching, or fraying.
  - 4) Check that the buckle and latch operate properly and that the latch plate is not excessively worn, deformed, or the buckle is damaged or cracked. The seat belt should latch and release easily.



## Identification Numbers



Tractor  
Identification  
Tag

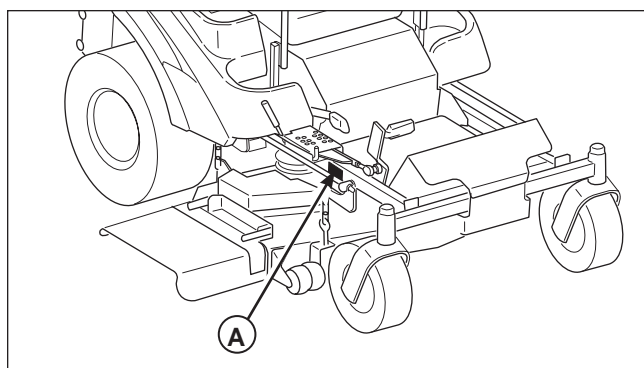


Figure 1. Identification Tag Locations  
A. Tractor Identification Tag

When contacting your authorized dealer for replacement parts, service, or information you **MUST** have these numbers.

Record your model/serial number and engine serial numbers on the space provided for easy access. These numbers can be found in the locations shown in Figure 1.

Not for  
Reproduction

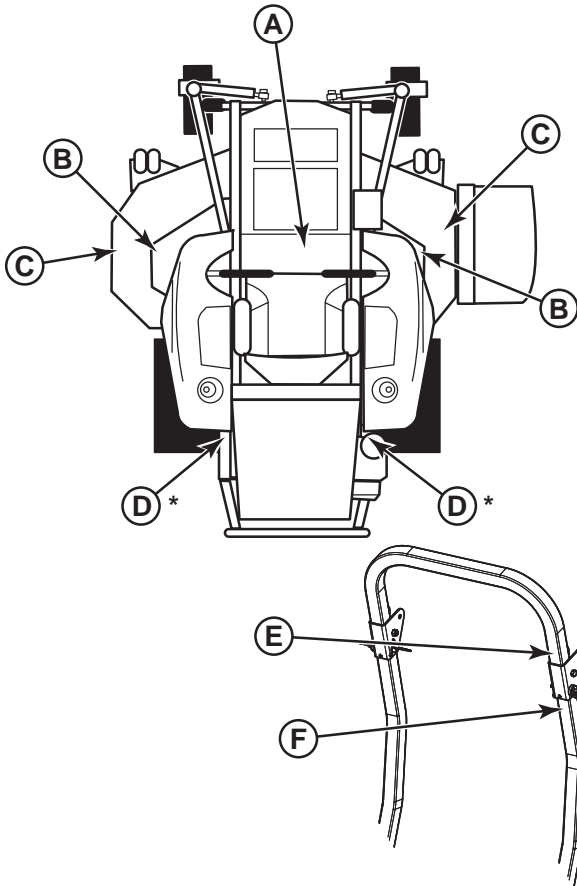


# Operator Safety

## Safety Decals

Before operating your unit, read the safety decals. The cautions and warnings are for your safety. To avoid a personal injury or damage to the unit, understand and follow all safety decals.

**⚠ WARNING**  
 If any safety decals become worn or damaged, and cannot be read, order replacement decals from your local dealer.



\* Decal is located under the ROPS on the frame of the unit.

<p><b>⚠ WARNING</b></p> <p><b>Avoid serious injury or death</b></p> <ul style="list-style-type: none"> <li>• Read operator's manual before using this product.</li> <li>• Know the location and function of all controls.</li> <li>• Keep safety devices (guards, shields, switches, etc.) in place and working.</li> <li>• Always operate with seat belt fastened.</li> <li>• The seat belts and engine are stopped before clearing blocks or fuel tank filters.</li> <li>• When leaving machine, shut off, remove key and set parking brake.</li> </ul> <p><b>Fire Hazard</b></p> <ul style="list-style-type: none"> <li>• Gasoline is flammable. Debris is combustible.</li> <li>• Do not operate this machine until you are familiar with it.</li> <li>• Keep unit clear of debris.</li> <li>• This equipment may create sparks that can start a fire unexpectly. A spark arrester may be required. Contact local fire agencies for regulations relating to the protection requirements.</li> </ul>	<p><b>⚠ DANGER</b></p> <p><b>Amputation hazard</b></p> <p>Rotating blades cut off arms and legs.</p> <ul style="list-style-type: none"> <li>• Stop the mower when children or others are near.</li> <li>• Do not carry anyone (especially children) with the blades off. They may fall off or return for another time when you are not expecting it.</li> <li>• Lock down, behind and to the side before changing blades.</li> </ul> <p><b>Loss of control and rollover hazard</b></p> <p>Operating on slopes can be hazardous and cause loss of control and rollovers.</p> <ul style="list-style-type: none"> <li>• Avoid slopes or use maximum safe slope.</li> <li>• Reduce speed and use extreme caution on slopes.</li> <li>• Do not operate slopes that are steeper than 15°.</li> <li>• Do not operate on slopes over 15 degrees.</li> <li>• If machine slips, forward motion will cease, stop the blades and drive slowly off the slope.</li> </ul>	<p><b>⚠ DANGER</b></p> <p><b>Water retaining wells and drop-off hazards</b></p> <p>Wheels dropping over edges may result in serious injury, death or drowning.</p> <ul style="list-style-type: none"> <li>• Do NOT operate near water retaining walls or drop-offs.</li> <li>• Use ground clearance of the mower with a distance of at least 10 feet from the edge.</li> </ul> <p><b>Wet or soft slope hazard</b></p> <p>Wet or soft slopes can cause skidding and loss of control.</p> <ul style="list-style-type: none"> <li>• Do NOT operate on slopes when grass is wet.</li> <li>• Do NOT operate on slopes when soil is soft (such as after heavy rains).</li> </ul>
---	---	--

**⚠ WARNING**

**B PINCH POINT**

To avoid injury from loaded spring, read operator's manual before removing spring.

61245

**⚠ DANGER**

**C Amputation and thrown objects hazard**

- Keep hands and feet away from deck.
- Do not operate mower unless discharge chute or entire grass catcher is in its proper place.

7101605

**⚠ WARNING**

**D Avoid serious injury or death from rollover.**

Do not operate without the rollbar installed and operational.

5100683

**⚠ WARNING**

**E LOW OVERHANGING OBSTACLES HAZARD**

Check for overhead clearances before driving under any objects. Do NOT allow roll bar to contact low overhanging obstacles, such as tree branches and guide wires.

3-18461

**⚠ WARNING**

**F AVOID SERIOUS INJURY OR DEATH FROM ROLL OVER:**

Keep roll bar in the raised position and use seat belt.

THERE IS NO ROLL OVER PROTECTION WHEN THE ROLL BAR IS DOWN

Lower the roll bar only when necessary and NEVER remove it.

Do NOT use seat belt when the roll bar is down.

Raise the roll bar as soon as clearance permits.

Do NOT jump off if mower tips.

Read and follow all operating instructions and warnings in the operator's manual.

**⚠ CAUTION**

**ROLL OVER PROTECTIVE STRUCTURE**

To maintain operator protection and roll bar certification:


Replace a damaged roll bar, do NOT attempt to repair or modify.




Any alteration of the roll bar must be approved by the manufacturer.

DO NOT exceed the machine weight rating of the roll bar.

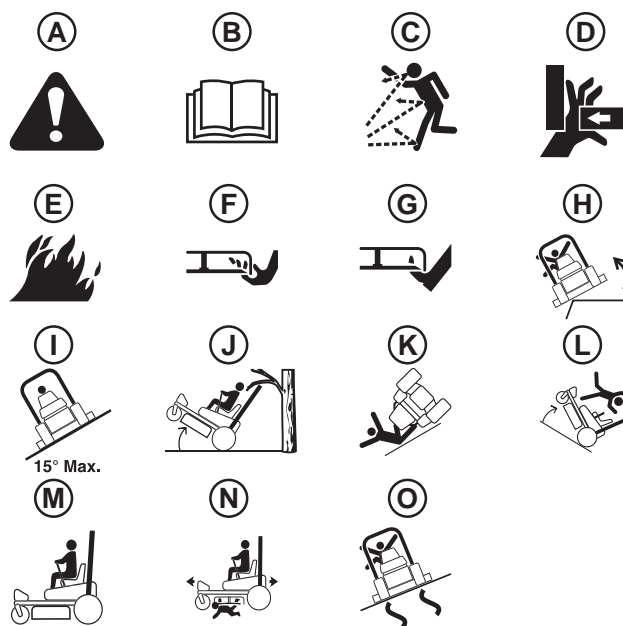
3-18427

## Safety Alert Symbol and Signal Words

The alert symbol  is used to identify safety information about hazards that can result in personal injury. A signal word (DANGER, WARNING, or CAUTION) is used with the alert symbol to indicate the likelihood and the potential severity of the injury. In addition, a hazard icon may be used to represent the type of hazard. An explanation of hazard levels and icons are as follows:

 <b>DANGER</b> This indicates a hazard which, if not avoided, <b>will result in serious injury or death.</b>
 <b>WARNING</b> This indicates a hazard which, if not avoided, <b>could result in serious injury or death.</b>
 <b>CAUTION</b> This indicates a hazard which, if not avoided, <b>might result in minor or moderate injury.</b>
<b>NOTICE</b> These messages presented without the alert symbol indicate a situation where the unit or property could be damaged.

## Safety Icons



Callout	Description
A	Alert
B	Read the Manual
C	Thrown Objects
D	Pinch Point
E	Fire Hazard
F	Amputation - Hand in Blade
G	Amputation - Foot in Blade
H	Dropoffs
I	Maximum Slope Angle for Safe Operation
J	Overhead Obstacles
K	Rollover Hazard
L	Tipover
M	Keep ROPS in the raised position.
N	Keep Children Away
O	Slippery Slopes

Not for Reproduction



## Safety Interlock System

This unit is equipped with safety interlock switches. These safety systems are present for your safety, do not attempt to bypass safety switches, and never tamper with safety devices. Check their operation regularly.

### Operational SAFETY Checks

#### Test 1 — Engine should NOT crank if:

- PTO switch is engaged, OR
- Parking brake is not engaged, OR
- Motion control handles are not in the NEUTRAL position.

#### Test 2 — Engine SHOULD crank if:

- PTO switch is NOT engaged, AND
- Parking brake is engaged, AND
- Motion control handles are locked in the NEUTRAL position.

#### Test 3 — Engine should SHUT OFF if:

- Operator rises off seat with PTO engaged, OR
- Operator rises off seat with parking brake disengaged.
- Operator moves motion control handles out of their neutral positions before disengaging parking brake.

#### Test 4 — Blade Brake Check

Mower blades and mower drive belt should come to a complete stop within seven (7) seconds after electric PTO switch is turned off (or operator rises off seat). If mower drive belt does not stop within seven (7) seconds, see your dealer.

*NOTE: Once the engine has stopped, PTO switch must be turned off, parking brake must be engaged, and the motion control handles must be locked in the NEUTRAL position after the operator returns to the seat in order to start the engine.*

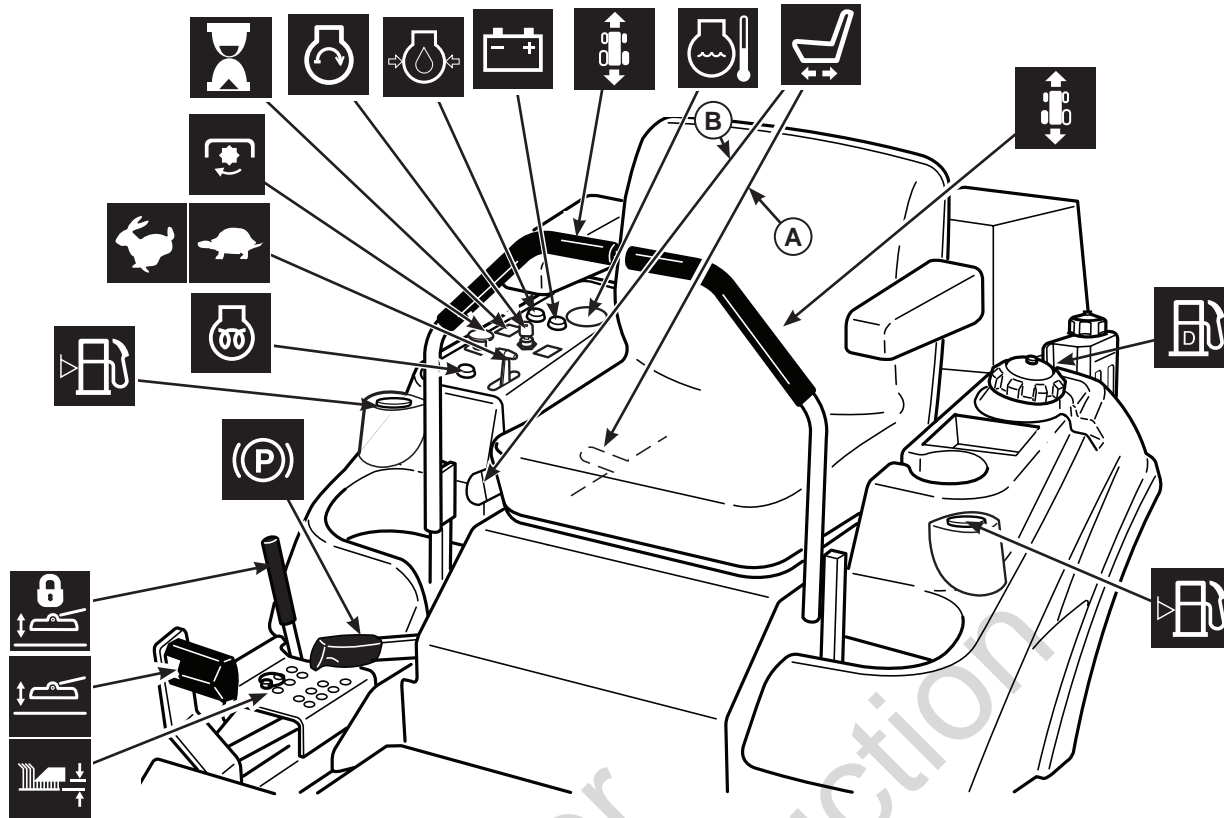
## **WARNING**

**If the unit does not pass a safety test, do not operate it. See your authorized dealer. Under no circumstance should you attempt to defeat the purpose of the safety interlock system.**

## Features and Controls

A. S/N: 2014582798 & Below

B. S/N: 2014582799 & Above



### Control Functions

The information below briefly describes the function of individual controls. Starting, stopping, driving, and moving require the combined use of several controls applied in specific sequences. To learn what combination and sequence of controls to use for various tasks see the OPERATION section.

#### Ground Speed Levers

These levers control the ground speed of the rider. The left lever controls the left rear drive wheel and the right lever controls the right rear drive wheel.

Moving a lever forward increases the FORWARD speed of the associated wheel, and pulling back on a lever increases the REVERSE speed.

*Note: The further a lever is moved away from the neutral position the faster the drive wheel will turn.*

See the Operating the Zero Turn Rider section for steering instructions.

#### Seat Adjustment Lever

The seat can be adjusted forward and back.





**S/N: 2014582798 & Below:** Move the lever forward, position the seat as desired, and release the lever to lock the seat in position.

**S/N: 2014582799 & Above:** Move the lever towards the left, position the seat as desired, and release the lever to lock the seat in position.

#### Ignition Switch

(S/N: 2015276814 & Below):

The ignition switch starts and stops the engine, it has four positions:




-  HEAT Heats the glow plugs.
-  OFF Stops the engine and shuts off the electrical system.
-  RUN Allows the engine to run, powers the electrical system and primes the fuel system
-  START Cranks the engine for starting.

**NOTE:** Never leave the ignition switch in the ON position with the engine stopped—this drains the battery.

## Ignition Switch

(S/N: 2015276815 & Above):

The ignition switch starts and stops the engine, it has three positions:

-  OFF Stops the engine and shuts off the electrical system.
-  HEAT/RUN Turning the key to this position prior to starting the engine heats the glow plugs. After the engine starts the ignition returns to this position and allows the engine to run and powers the electrical system.
-  START Cranks the engine for starting.

*NOTE: Never leave the ignition switch in the ON position with the engine stopped—this drains the battery.*



## PTO (Power Take Off) Switch

The PTO switch engages and disengages the mower. Pull UP on the switch to engage the mower, and push DOWN to disengage the mower.

## Throttle Control

Moving the throttle control fully forward is FULL throttle position. Always operate the unit at FULL throttle when mowing.

## Parking Brake

-  DISENGAGE Releases the parking brake.
-  ENGAGE Locks the parking brake.

Pull the parking brake lever back to engage the parking brake. Move the lever fully forward to disengage the parking brake.

*NOTE: To start the unit the parking brake must be engaged.*

## Deck Lift Pedal, Cutting Height Adjustment Pin & Deck Lift Lock Lever

These control the cutting height of the mower deck. Depress the pedal until it locks into the 5" (12,7 cm) position. Place the adjustment pin in the desired cutting height and release the lift lock lever.

## Hour Meter

Measures the time of the PTO being engaged. The hour meter measures the number of hours the PTO has been engaged.

*Note: The hour meter will register the passage of time only when the PTO is engaged. The hour meter has a self contained power source so the total hours are always visible.*

## Glow Plug Indicator

Lamp that indicates that the glow plugs are heating. Hold the ignition key in the "HEAT" position until indicator lamp turns off, then turn the key to start.

## Voltage Gauge

Gauge measures the output voltage of the engine charging system.

## Oil Pressure Indicator

Lamp that indicates a low oil pressure condition.

## Water Temperature Gauge

Gauge measures the engine coolant temperature.

## Fuel Tank Cap

To remove the cap, turn counterclockwise.

## Fuel Level Gauge

Displays the fuel level in the tank.



## Operation

### General Operating Safety

Before first time operation:

- Be sure to read all information in the Safety and Operation sections before attempting to operate this tractor and mower.
- Become familiar with all of the controls and how to stop the unit.
- Drive in an open area without mowing to become accustomed to the unit.

### **! WARNING**

**Never allow passengers to ride on the unit.**

**Before leaving the operator's position for any reason, engage the parking brake, disengage the PTO, stop the engine and remove the key.**

**To reduce fire hazard, keep the engine, tractor and mower free of grass, leaves and excess grease. Do not stop or park tractor over dry leaves, grass or combustible materials.**

**Gasoline is highly flammable and must be handled with care. Never fill the tank when the engine is still hot from recent operation. Do not allow open flame, smoking or matches in the area. Avoid over-filling and wipe up any spills.**

### **! WARNING**

**Do not use this machine on slopes greater than 15 degrees.**

**Select slow ground speed before driving onto a slope. Use extra caution when operating on slopes with a rear-mounted grass catcher.**

**Mow across the face of slopes, not up and down, use caution when changing directions and DO NOT START OR STOP ON SLOPE.**

### Checks Before Starting

- Check that crankcase is filled to full mark on dipstick. See the engine Operators Manual for instructions and oil recommendations.
- Check the radiator fluid level. See engine operator's manual for instructions.
- Check the hydraulic oil level. Refer to REGULAR MAINTENANCE section.
- Make sure all nuts, bolts, screws and pins are in place and tight.
- Adjust the seat position, and make certain you can reach all controls from the operators position.
- Fill the fuel tanks with fresh fuel. Refer to engine manual for fuel recommendations.

### **! WARNING**

**Do not load this zero-turn rider on a trailer or truck using two separate ramps. Only use a single ramp that is at least one foot wider than the width of the rear wheels of this rider. This rider has a zero turning radius and the rear wheels could fall off the ramps, or the rider could tip over injuring the operator or bystanders.**



## Priming the Fuel System

Priming the fuel system removes any air bubbles from the fuel system.

### **WARNING**

Fuel leaked or spilled onto hot surfaces or electrical components can cause a fire. To help prevent possible injury, turn the ignition switch off when changing fuel filter or water separator element. Clean up fuel spills immediately.

The fuel system would only need to be primed under the following conditions:

- Before starting the engine for the first time.
- After running the machine out of fuel and fresh fuel has been added to the fuel tanks.
- After performing maintenance on the fuel system, such as changing the fuel filter or replacing a fuel system component.

### To prime the fuel system:

1. Make sure that there is fuel in the fuel tanks and that both fuel tank shut off valves (A, Figure 2) are open.
2. Turn the key to the ON position (not the start position) for 10 to 15 seconds. The electric fuel pump feeds fuel to the system.

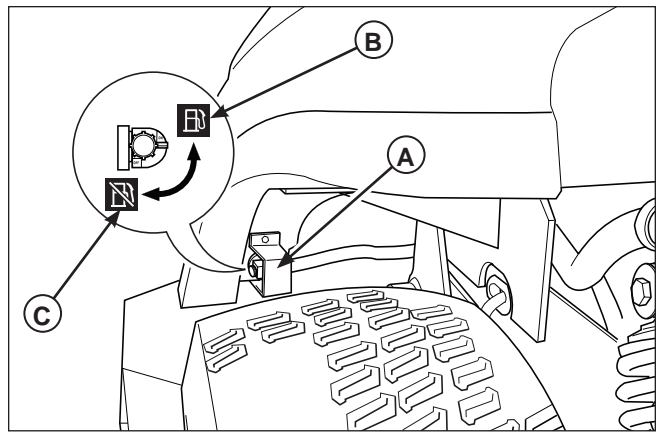


Figure 2. Fuel Shut Off Valve  
A. Fuel Shut Off Valve Location  
B. Open Position  
C. Closed Position

Not for  
Reproduction

## **⚠ WARNING**

If you do not understand how a specific control functions, or have not yet thoroughly read the **FEATURES & CONTROLS** section, do so now.

**Do NOT attempt to operate the tractor without first becoming familiar with the location and function of ALL controls.**

### Starting the Engine

1. While sitting in the operators seat, engage the parking brake, make sure the PTO switch is disengaged, and the ground speed control levers are locked in the neutral position.
2. Set the throttle to middle position (set throttle to FULL when starting in cold weather)
3. **(S/N: 2015276814 & Below):** Turn the key to the HEAT position.  
**(S/N: 2014276815 & Above):** Turn the key to the HEAT/RUN position.  
Hold the key to turn the glow plug indicator light on and activate the glow plugs.
4. Wait until the glow plug indicator light turns off, then turn the key to START. If the engine does not start immediately, move the throttle control to FULL.

*NOTE: Do not crank the engine continuously for more than 30 seconds. Allow the starter motor to cool for two minutes before cranking the engine again.*

5. After the engine starts, move the engine throttle control to SLOW. Warm up the engine by running it for at least a minute.
6. Move the throttle to FULL before engaging the PTO switch or driving the machine.

**In the event of an emergency the engine can be stopped by simply turning the ignition switch to STOP.** Use this method only in emergency situations. For normal engine shut down follow the procedure given in **STOPPING THE TRACTOR & ENGINE.**

### Stopping the Tractor & Engine

1. Returning the ground speed control levers to the middle position will stop tractor movement. Pivot the levers outward and lock them in neutral.
2. Disengage the PTO.
3. Engage the parking brake.
4. Move the throttle control to SLOW and allow the engine to cool down for a short time.
5. Turn the ignition key to OFF. Remove the key.

### Pushing the Rider by Hand



#### **DO NOT TOW RIDER**

Towing the unit will cause hydraulic pump and wheel motor damage. Do not use another vehicle to push or pull this unit.

1. Disengage the PTO, engage the parking brake, turn the ignition OFF, and remove the key.
2. Lift the seat plate to gain access to the hydraulic pumps.
3. Locate the hydraulic release valves (A, Figure 3) on the bottom side of the hydraulic pumps.
4. To disengage the pumps (free-wheel position), turn the hydraulic release valves located on the pumps **COUNTER-CLOCKWISE** a maximum of 2 full turns.
5. Disengage the parking brake. The tractor can now be pushed by hand.
6. After moving the tractor, re-engage the pumps (drive position) by turning the release valves **CLOCKWISE** and tighten to 80-120 in. lbs. of torque.

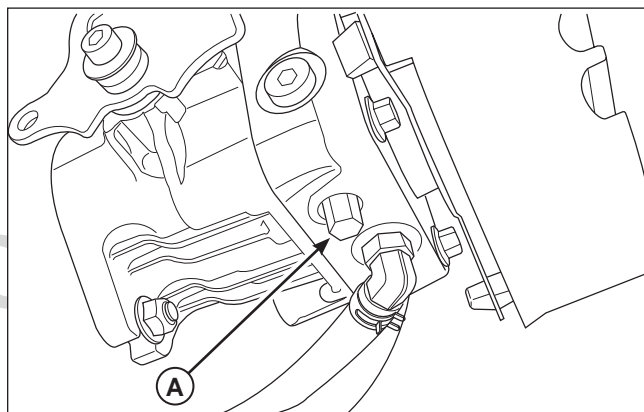


Figure 3. Hydraulic System By-Pass  
A. Hydraulic Release Valve (left-hand pump shown)

## Zero-Turn Driving Practice

The lever controls of the Zero Turn rider are responsive. Learning how to gain smooth, efficient control of the rider's forward, reverse, and turning movements will take some practice.

Spending some time practicing the maneuvers shown and becoming familiar with how the unit accelerates, travels, and steers — before you begin mowing — is absolutely essential to getting the most out of the Zero Turn rider.

**Locate a smooth, flat area of your lawn** — one with plenty of room to maneuver. (Clear the area of objects, people and animals before you begin.) Operate the unit at mid-throttle during this practice session (ALWAYS operate at full throttle when mowing), and turn slowly to prevent tire slippage and damage to your lawn.

We suggest you begin with the Smooth Travel procedure to the right, and then advance through the forward, reverse, and turning maneuvers.

You must release the parking brake prior to moving the control levers inward.

## Smooth Travel

The lever controls of the Zero Turn rider are responsive.

The BEST method of handling the ground speed control levers is in three steps — as shown in Figure 4.

**FIRST** place your hands onto the levers as shown.

**SECOND**, to go forward gradually push the levers forward with your palms.

**THIRD**, to speed up move the levers farther forward. To slow down smoothly, slowly move the levers toward neutral.

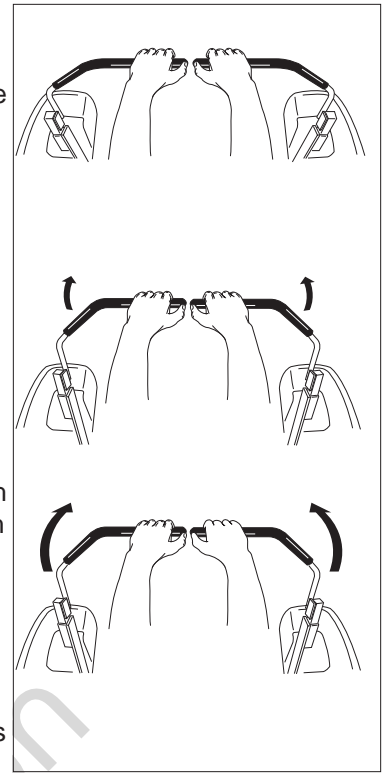


Figure 4. Move Control Levers Gradually

## BASIC DRIVING

### Forward Travel Practice

Gradually move both ground speed control levers evenly FORWARD from neutral. Slow down and repeat.

*NOTE: Straight forward travel takes practice. If necessary, top speed can be balance-adjusted — see the Speed Balancing Adjustment in the Adjustments section near the back of this manual.*

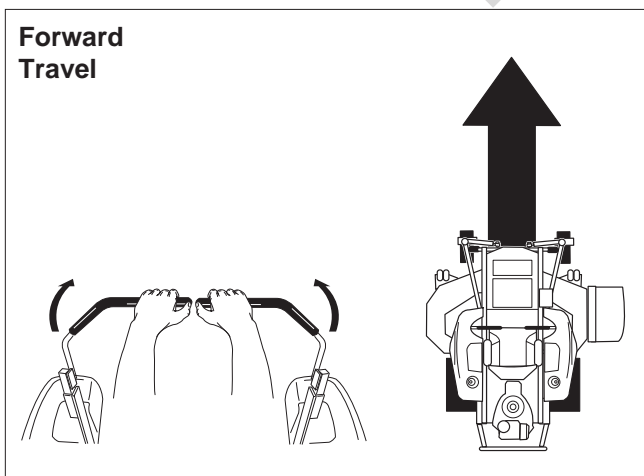


Figure 5. Forward Travel

### Reverse Travel Practice

LOOK DOWN and BEHIND, then gradually move both ground speed control levers evenly BACK from neutral. Slow down and repeat.

*NOTE: Practice backing up for several minutes before attempting to do so near objects. The rider turns sharply in reverse as well as forward, and backing up straight takes practice.*

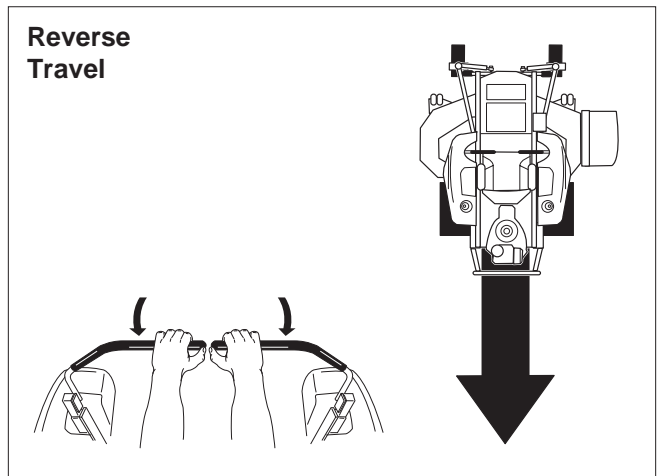


Figure 6. Reverse Travel

## Practice Turning Around a Corner

While traveling forward allow one handle to gradually return back toward neutral. Repeat several times.

*NOTE: To prevent pivoting directly on the tire tread, it is best to keep both wheels going at least slightly forward.*

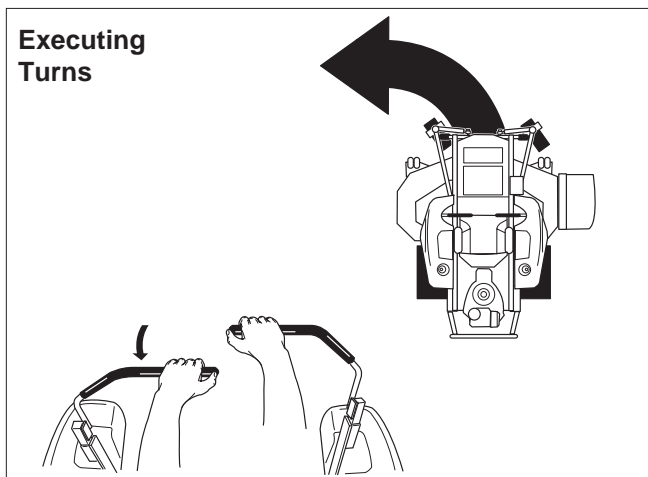


Figure 7. Turning Around a Corner

## Practice Turning In Place

To turn in place, “Zero Turn,” gradually move one ground speed control lever forward from neutral and the other lever back from neutral simultaneously. Repeat several times.

*NOTE: Changing the amount each lever is pulled forward or back, changes the “pivot point” you turn on.*

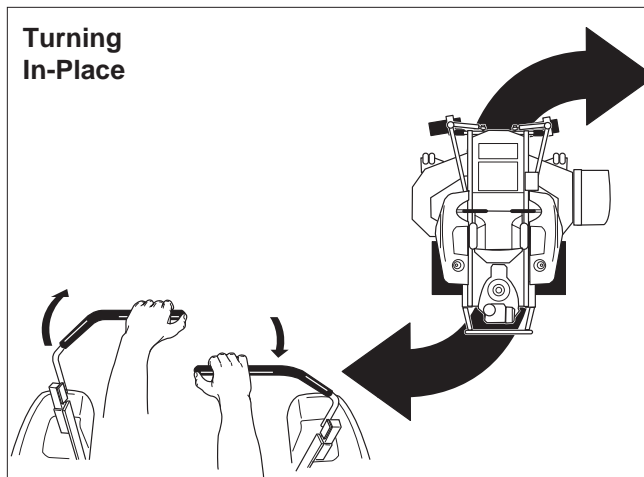


Figure 8. Turning in Place

## ADVANCED DRIVING

### Executing an End-Of-Row Zero Turn

Your Zero Turn Rider’s unique ability to turn in place allows you to turn around at the end of a cutting row, rather than having to stop and Y-turn before starting a new row.

For example, to execute a left end-of row zero turn:

1. Slow down at the end of the row.
2. Move the RIGHT ground speed control lever forward slightly while moving the LEFT ground speed control lever back to center and then slightly back from center.
3. Begin mowing forward again.

This technique turns the rider LEFT and slightly overlaps the row just cut eliminating the need to back up and re-cut missed grass.

*As you become more familiar and experienced with operating the Zero Turn rider. You will learn more maneuvers that will make your mowing time easier and more enjoyable.*

**Remember, the more you practice, the better your control of the Zero Turn will be!**

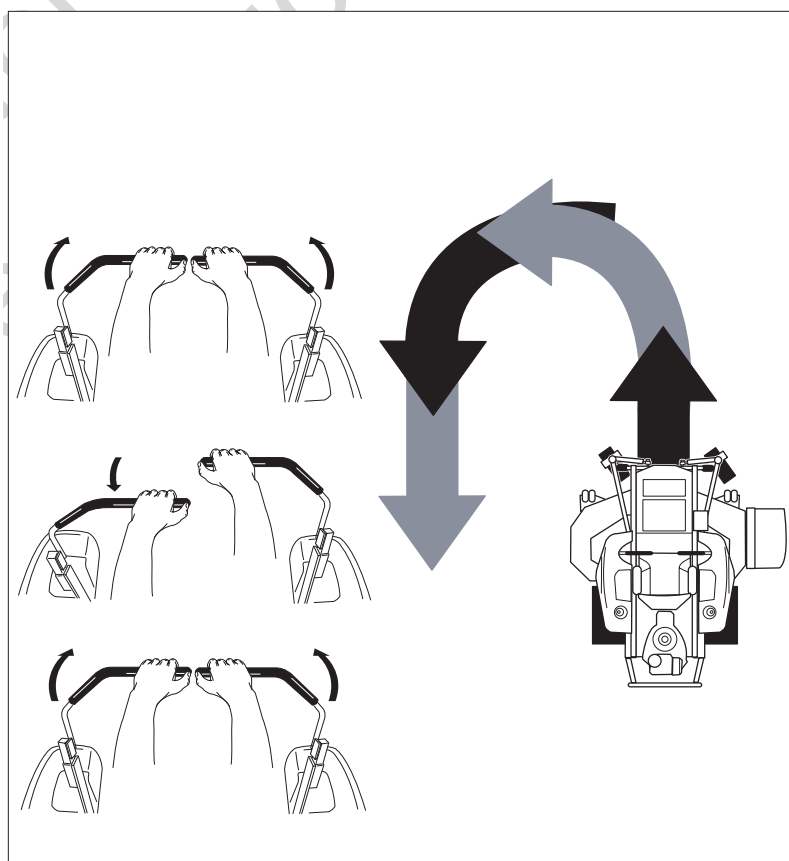
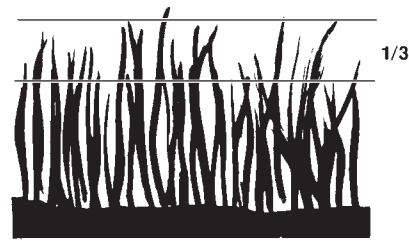


Figure 9. Executing an End-Of-Row Turn



## Mowing

1. Engage the parking brake. Make sure the PTO switch is disengaged, the motion control levers are locked in the NEUTRAL position, and the operator is on the seat.
2. Start the engine (see STARTING THE ENGINE).
3. Set the mower cutting height.
4. Set the throttle to FULL.
5. Engage the PTO by pulling up on the PTO switch.
6. Begin mowing.
7. When finished, shut off the PTO.
8. Stop the engine (see STOPPING THE TRACTOR AND ENGINE).



*Proper Cutting Height*

## Mowing Recommendations

Several factors can affect how well your machine cuts grass. Following proper mowing recommendations can improve the performance and life of your machine.

### Height of Grass

Often cutting height is a matter of personal preference. Typically, you should mow the grass when it is between three and five inches high. The proper cutting height range for a specific lawn will depend upon several factors including the following: the type of grass, the amount of rainfall, the prevailing temperature, and the lawn's overall condition.

Cutting the grass too short causes weak, thin grass plants, which are easily damaged by dry periods and pests. Cutting too short is often more damaging than allowing the grass to be slightly higher.

Letting grass grow a bit longer especially when it is hot and dry reduces heat build-up, preserves needed moisture, protects the grass from heat damage and other problems. However, allowing grass to grow too high can cause thin turf and additional problems.

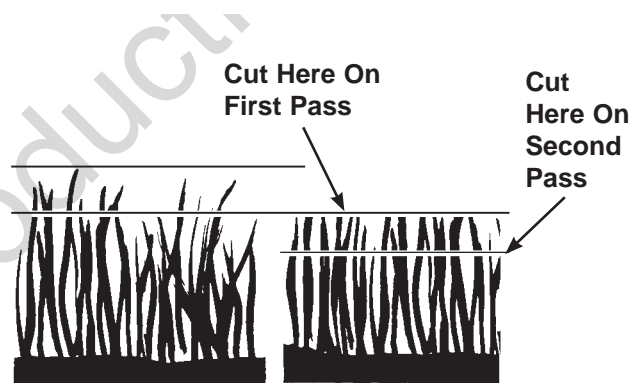
Cutting off too much at one time shocks the plant's growth system and weakens the grass plants. **A good rule of thumb is the 1/3 rule: to cut no more than one third of the grass height, and never more than 1 inch at a time.**

The amount of grass you are able to cut in one pass is also effected by the type of mowing system you are using (for example, broadcasting with side discharge decks can process a much larger volume of grass than mulching does).

### Tall Grass Requires Incremental Cutting

For extremely tall grass, set the cutting height at maximum for the first pass, and then reset it to the desired height and mow a second or third time.

Don't cover the grass surface with a heavy layer of clippings. Consider using a grass collection system and starting a compost pile.



*Incremental Cutting*

## When and How Often to Mow

The time of day and condition of the grass greatly affect the results you'll get when mowing. For the best results, follow these guidelines:

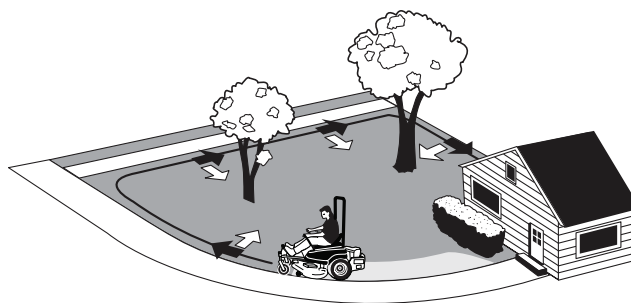
1. Mow when the grass is between three and five inches high.
2. Mow with sharp blades. Short clippings of grass one inch or shorter decompose more quickly than longer blades. Sharp mower blades cut grass cleanly and efficiently, preventing frayed edges which harm the grass.
3. Mow at time of day when the grass is cool and dry. Late afternoon or early evening often provide these ideal mowing conditions.
4. Avoid mowing after rain or even heavy dew. Never mulch when the grass is wet (moist grass does not mulch well and clumps beneath the mower deck).

## Mowing Patterns

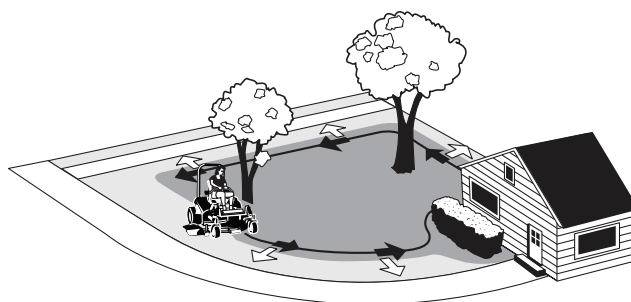
Always start mowing on a smooth, level area.

The size and type of area to be mowed will determine the best mowing pattern to use. Obstructions such as trees, fences, buildings, and conditions such as slopes and grades must also be considered.

1. Cut long straight strips overlapping slightly.
2. Whenever possible, change patterns to eliminate matting, graining, or a corrugated appearance.
3. For a truly professional cut, mow across the lawn in one direction, then recut the lawn by mowing perpendicular to the previous cut.



*Where possible, make one or two passes around the outside of the area discharging the grass INTO the lawn to keep the cut grass off fences and walks.*



*The remainder of the mowing should be done in the opposite direction so that the clippings are dispersed OUT onto the area of lawn previously cut.*

## Mowing Methods

### Proper Broadcast Mowing

Broadcasting (side discharging), disperses fine clippings evenly over the entire lawn. Many golf courses use this method. Your mower has a deep dish deck to allow freer circulation of clippings so they are broadcast evenly over the lawn.

### ENGINE SPEED & GROUND SPEED FOR BROADCASTING

ALWAYS operate the engine at full throttle when mowing.

ALWAYS use an appropriate ground speed for the thickness and height of the grass you are cutting (3rd gear or slower for manual gear models). If you hear the engine slowing down, you are mowing too fast, using a slower ground speed will improve the cutting efficiency of the blades and prevents many common cutting problems.

### HOW MUCH GRASS TO CUT OFF WHEN BROADCASTING

Mow when the grass is 3-5 inches long. Do NOT cut the grass shorter than 2 to 2-1/2 inches. Do NOT cut off more than 1 inch of grass in a single pass.

## Proper Mulching

Mulching consists of a mower deck which cuts and recuts clippings into tiny particles and then blows them down INTO the lawn. These tiny particles decompose rapidly into by-products your lawn can use. UNDER PROPER CONDITIONS, your mulching mower will virtually eliminate noticeable clippings on the lawn surface.

*NOTE: When mulching under heavy cutting conditions, a rumbling sound may be present and is normal.*

## MULCHING REQUIRES EXCELLENT MOWING CONDITIONS

Mulching mowers cannot function properly if the grass is wet, or if the grass is simply too high to cut. Mulching requires that the grass be dry and the appropriate amount be cut.

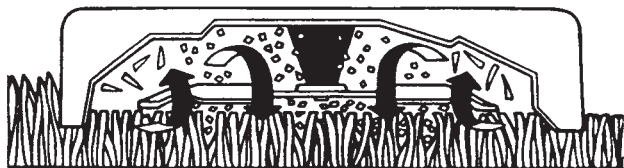
Do NOT use the mower as a mulching mower during the first two or three mowings in the spring. The long grass blades, quick growth, and often wetter conditions are more suitable for broadcasting (side-discharging) or grass bagging operation.

## ENGINE SPEED & GROUND SPEED FOR MULCHING

Use full engine throttle matched with a slow ground speed so that clippings will be finely cut. Ground speed while mulching should be HALF of the speed that would be used when broadcasting (side discharging) under similar conditions. Since mulching requires more horsepower than broadcasting, using a slower ground speed is vitally important for proper mulching operation.

## HOW MUCH GRASS TO MULCH

The best mulching action typically results from cutting only the top 1/2 inch to 3/4 inch of grass blade. This provides short clippings which decompose properly. The ideal cutting height will vary with climate, time of year, and quality of your lawn. We recommend that you experiment with both the cutting height and ground speed until you achieve the best cut. Start with a high cutting height and using progressively lower settings until you find a cutting height that is matched to your mowing conditions and preferences.



Mulching Action

## Attaching a Trailer

The maximum weight of a towed trailer should be less than 200 lbs (91kg). Secure the trailer with an appropriately sized clevis pin (A, Figure 10) and clip (B).

Excessive towed weight can cause loss of traction and loss of control on slopes. Reduce towed weight when operating on slopes. The surface being driven on greatly impacts traction and stability. Wet or slippery surfaces can greatly reduce traction and the ability to stop or turn. Carefully evaluate the surface conditions before operating the unit and trailer. NEVER operate on slopes greater than 10°. See SLOPE OPERATION and TOWED EQUIPMENT in the safety section of this manual for additional safety information.

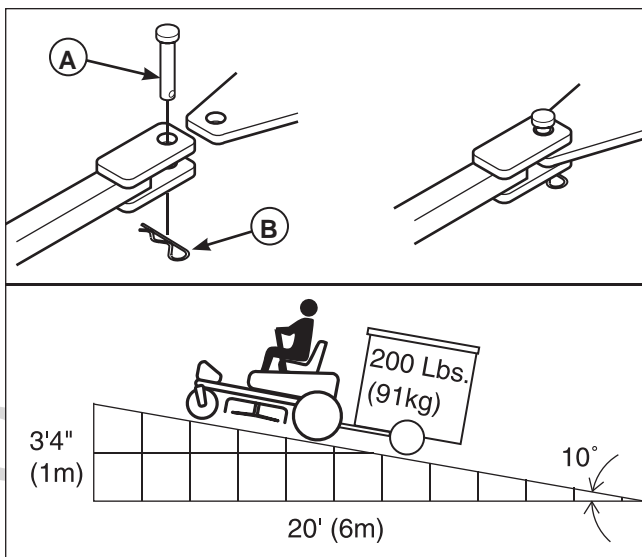


Figure 10. Trailer Weight Recommendations

- A. Clevis Pin
- B. Clip

## Raise & Lower the Roll Bar

### To lower the roll bar:

1. Pull the hair pin clips (A, Figure 11) out of the retainer pins (B).
2. Push or pull the top of the roll bar (C) forward against the rubber stops (D) and remove the retainer pins (B).
3. Lower the roll bar and reinstall the retainer pins and hair pin clips to secure the roll bar in the down position (see insert, Figure 11).

### To raise the roll bar:

1. Pull the hair pin clips (A) out of the retainer pins (B) and remove the retainer pins.
2. Raise the roll bar (C) until the rubber stops (D) contact the upright tubes.
3. Push or pull the top of the roll bar forward against the rubber stops and reinstall the retainer pins and hair pin clips to secure the roll bar in the raised position.

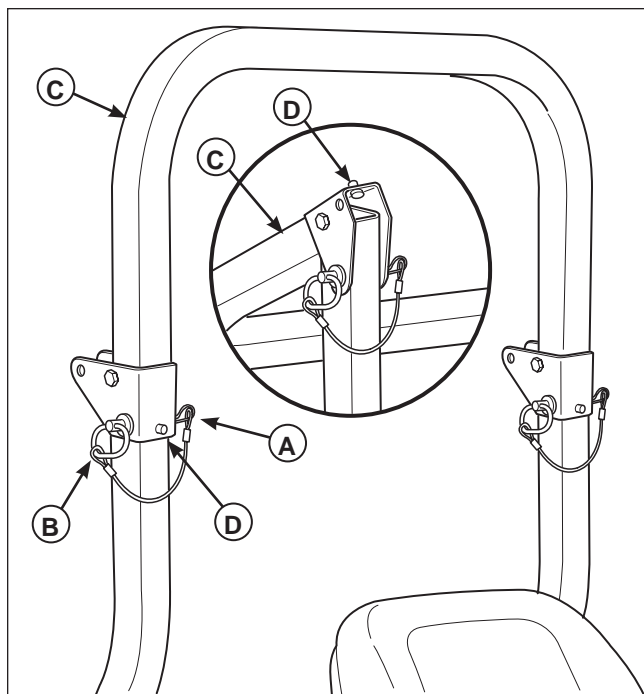


Figure 11. Raise & Lower the Roll Bar

- A. Hair Pin Clip
- B. Retainer Pin
- C. Roll Bar
- D. Rubber Stop



## WARNING

**AVOID SERIOUS INJURY OR DEATH FROM ROLL OVER:**

**Keep roll bar in the raised position and use seat belt.**

**THERE IS NO ROLL OVER PROTECTION WHEN THE ROLL BAR IS DOWN**

**Lower the roll bar only when necessary and NEVER remove it.**

**Do NOT use seat belt when the roll bar is down.**

**Raise the roll bar as soon as clearance permits.**

**Do NOT jump off if mower tips.**

## Storage

### Temporary Storage (30 Days Or Less)

Remember, the fuel tank will still contain some fuel, so never store the unit indoors or in any other area where fuel vapor could travel to any ignition source. Fuel vapor is also toxic if inhaled, so never store the unit in any structure used for human or animal habitation.

Here is a checklist of things to do when storing your unit temporarily or in between uses:

- Keep the unit in an area away from where children may come into contact with it. If there's any chance of unauthorized use remove the ignition key.
- If the unit can't be stored on a reasonable level surface, chock the wheels.
- Clean all grass and dirt from the mower.
- If temperature is expected to drop below 35 degrees, refer to Long Term Storage, Item 2.

### Long Term Storage (Longer Than 30 Days)

Before you store your unit for the off-season, read the Maintenance and Storage instructions in the Safety Rules section, then perform the following steps:

1. Drain crankcase oil while engine is hot and refill with a grade of oil that will be required when unit is used again.
2. Use an Antifreeze tester to check the cooling system's level of protection. Read the instructions on the Antifreeze container for the appropriate ratio of water to Antifreeze for your geographical area.
3. Prepare the mower deck for storage as follows:
  - a. Remove mower deck from the unit.
  - b. Clean underside of mower deck.
  - c. Coat all bare metal surfaces with paint or light coat of oil to prevent rusting.
4. Clean external surfaces and engine.
5. Prepare engine for storage. See engine owner's manual.
6. Clean any dirt or grass from cylinder head, engine housing and air cleaner element.
7. Cover air cleaner and exhaust outlet tightly with plastic or other waterproof material to keep out moisture, dirt and insects.
8. Completely grease and oil unit as outlined in the Regular Maintenance section.
9. Clean up unit and apply paint or rust preventative to any areas where paint is chipped or damaged.
10. Be sure the battery is filled to the proper level with water and is fully charged. Battery life will be increased if it is removed, put in a cool, dry place and fully charged about once a month. If battery is left in unit, disconnect the negative cable.
11. Drain fuel system completely or add a diesel fuel stabilizer to the fuel system. If you have chosen to use a fuel stabilizer and have not drained the fuel system, follow all safety instructions and storage precautions in this manual to prevent the possibility of fire from the ignition of diesel fumes. Remember, diesel fumes can travel to distant sources of ignition and ignite, causing risk of explosion and fire.

## WARNING

**Never store the unit, with diesel fuel in engine or fuel tank, in a heated shelter or in enclosed, poorly ventilated enclosures. Diesel fumes may reach an open flame, spark or pilot light (such as a furnace, water heater, clothes dryer, etc.) and cause an explosion.**

**Handle diesel fuel carefully. It is highly flammable and careless use could result in serious fire damage to your person or property.**

**Drain fuel outdoors into an approved container and away from open flame or sparks.**

*NOTE: Diesel fuel, if permitted to stand unused for extended periods (30 days or more), may develop gummy deposits which can adversely affect the fuel pump and injector tubes and cause engine malfunction. To avoid this condition, add a diesel fuel stabilizer to the fuel tank and run the engine a few minutes, or drain all fuel from the unit before placing it in storage.*

### Starting After Long Term Storage

Before starting the unit after it has been stored for a long period of time, perform the following steps.

1. Remove any blocks from under the unit.
2. Install the battery if it was removed.
3. Unplug the exhaust outlet and air cleaner.
4. Fill the fuel tank with fresh fuel. See engine manual for recommendations.
5. See engine owner's manual and follow all instructions for preparing engine after storage.
6. Check crankcase oil level and add proper oil if necessary. If any condensation has developed during storage, drain crankcase oil and refill.
7. Inflate tires to proper pressure. Check fluid levels.
8. Start the engine and let it run slowly. DO NOT run at high speed immediately after starting. Be sure to run engine only outdoors or in well ventilated area.

### Diesel Fuel Recommendations

Fuel companies provide fuel tailored to meet the existing weather conditions. These fuels change at the start of the predominant season according to regional weather trends.

Winter fuels are tailored to give ease of starting for cold weather. Summer fuel may be somewhat heavier than winter fuel resulting in slightly better fuel economy and power. Spring and fall fuel is an average blend between winter and summer blend.

For these reasons an effort should be made to purchase fuels in such quantities that they are not carried over into the next season. Using the wrong blend of fuel can cause problems with the engine.

Refer to the engine manufacturer's manual for specific fuel recommendations.



## Maintenance

### Maintenance Schedule & Procedures

The following schedule should be followed for normal care of your rider and mower. You will need to keep a record of your operating time. Determining operating time is easily accomplished by observing the hour meter.

RIDER MAINTENANCE
<b>Before Each Use</b>
Check Safety Interlock System
Check Rider Brakes
Check Rider / Mower for loose hardware
<b>Every 100 Hours or Annually*</b>
Check Gearbox Oil Level***
Clean Deck & Check / Replace Mower Blades
Lubricate Rider & Mower**
Clean Battery & Cables
Check Tire Pressure
Check Hydraulic Oil**
<b>Every 250 Hours or Annually*</b>
Change Hydraulic Oil Filter**

\* Whichever comes first.

\*\* More often in hot (over 85° F; 30° C) weather or dusty operating conditions

\*\*\* Change gearbox oil after first 100 hours and every 500 hours thereafter (See *Gearbox Maintenance*).

ENGINE MAINTENANCE
<b>Before Each Use</b>
Check Engine Oil Level
Check Engine Coolant Level
Check & Clean Radiator Screens
Check / Clean Cooling Fins & Intake**
<b>Every 25 Hours</b>
Check Fuel Filter / Drain Water Separator
<b>Refer to Engine Manufacturer's Owner's Manual</b>
Service Air Filter**
Change Oil & Filter
Check / Replace Spark Plugs
<b>Annually</b>
Change Engine Coolant

\* Change original engine oil after first 5 hours of operation.

\*\* More often in hot (over 85° F; 30° C) weather or dusty operating conditions.

### Check Tire Pressures

Tire Pressure should be checked periodically, and maintained at the levels shown in the chart. Note that these pressures may differ slightly from the "Max Inflation" stamped on the side-wall of the tires. The pressures shown provide proper traction, improve cut quality, and extend tire life.

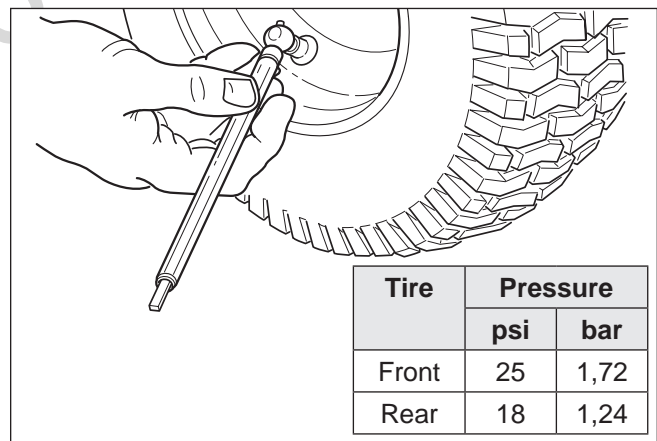


Figure 12. Checking Tire Pressure

# Regular Maintenance

## Checking / Adding Fuel

### To add fuel:

1. Remove the fuel cap (A, Figure 13).
2. Fill the tank to the bottom of the fill tube. This will leave room in the tank for fuel expansion.

*NOTE: Do not overfill. Refer to your engine manual for specific fuel recommendations.*

3. Install and hand tighten the fuel cap.
4. Repeat same process for opposite tank.



Figure 13. Fill Fuel Tank  
A. Fuel Cap



Do not use Kerosene in place of diesel fuel or mix with diesel fuel. Kerosene will damage the engine. Consult the engine manufacturer's manual for specific fuel recommendations.

### **WARNING**

Diesel fuel is highly flammable and must be handled with care. Never fill the tank when the engine is still hot from recent operation. Do not allow open flame, smoking or matches in the area. Avoid over-filling and wipe up any spills.

Do not drain or replace fuel filter when engine is hot, as spilled fuel may ignite. Make sure the filter drain valve is fully closed before returning the unit to service.

### **WARNING**

Fuel leaked or spilled onto hot surfaces or electrical components can cause a fire. To help prevent possible injury, turn the ignition switch off when changing fuel filters or water separator elements. Clean up fuel spills immediately.

## Fuel Filter

This unit is equipped with two fuel filters. One is a water separator (A, Figure 14) and the other is a fuel filter (C). Both filters are located in the engine compartment on the right side of the engine. The water separator should be drained every 25 hours or whenever water is visible in the bowl. Replace both fuel filters every 500 hours of operation or as required.

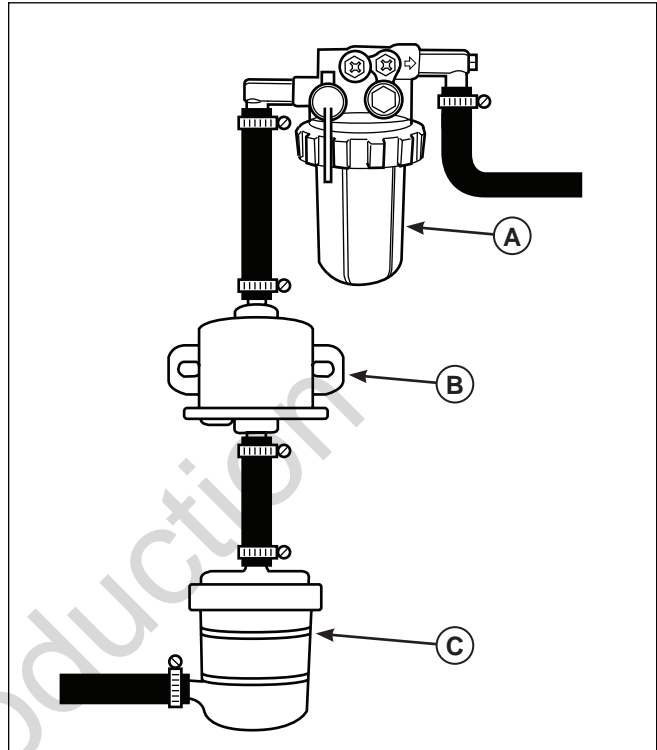


Figure 14. Replacing the Fuel Filter  
A. Water Separator  
B. Fuel Pump  
C. Fuel Filter

### To Replace the Fuel Filter:

*NOTE: Fuel filter is replaced as an assembly only. The filter element is not replaceable separately.*

1. Turn the engine off, set the parking brake, remove the ignition key, and wait for all moving parts to stop.
2. Allow the engine and surrounding areas to cool to room temperature.
3. Close both fuel tank shut off valves (See Figure 2 for location).
4. Open the hood to gain access to the fuel filter. The fuel filter is located in the engine compartment on the right side of the engine.
5. Place an absorbent cloth below the filter to catch any spilled fuel.

6. Loosen the hose clamps that secure the hoses to the fuel filter.
7. Remove the hoses from the filter.
8. Install the new filter in the proper flow direction in the fuel line.
9. Secure with the hose clamps and wipe up any spilled fuel.
10. Reopen the fuel tank shut off valves when complete.

### To Drain the Water Separator:

Refer to engine owners manual for specific water separator service procedures.

### Service Air Filter

Refer to the engine owner's manual for specific air filter service procedures.

### Check / Add Engine Oil Level

Refer to Figure 15 for dipstick and oil fill locations. Refer to the engine owners manual for specific engine oil check and fill procedures. Also refer to the engine owners manual for specific engine oil and filter change procedures

### Change Engine Oil & Filter

1. Warm engine by running for a few minutes. (Refer to the engine operator's manual for oil & filter replacement instructions.)
2. Remove the dipstick (A, Figure 15) to vent the crankcase and allow the engine oil to drain easily.
3. Place a small pan under the oil drain cap (D) to catch the oil. Using the appropriate tools, remove the oil drain cap and drain the engine oil.
3. After draining, replace the oil drain cap (see engine owners manual for torque specification) and wipe up any spilled oil.
4. Place an absorbent shop cloth under the engine oil filter (B). Remove the engine oil filter and replace with a new one.
5. Remove the shop cloth and wipe up any spilled oil.
6. Add new oil through the engine oil fill (C). See the engine operator's manual for specific oil recommendations.

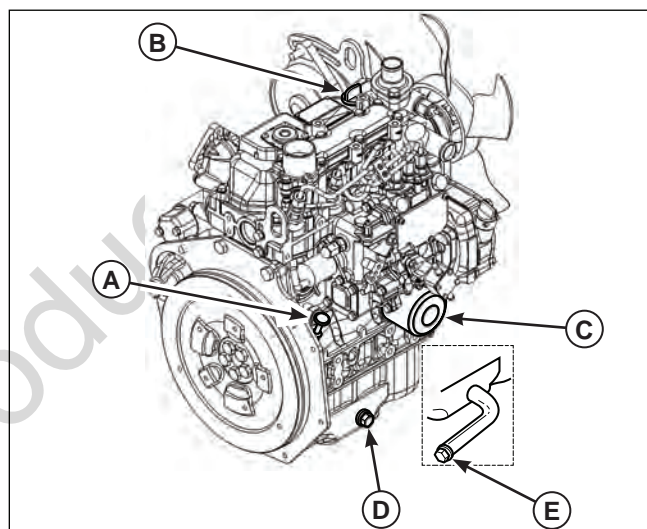


Figure 15. Engine Oil Fill

- A. Dipstick
- B. Engine Oil Fill
- C. Oil Filter
- D. Oil Drain Cap - 3TNM68 Models
- E. Oil Drain Cap - 3TNM72 Models

## Check Hydraulic Oil Level

1. Before removing the reservoir cap, make sure the area around the reservoir cap and fill neck of the reservoir is free of dust, dirt, or other debris.
2. Unscrew the reservoir cap (B, Figure 16).
3. Look down the filler neck of the hydraulic oil reservoir (A, Figure 16) and observe the oil level. When cold, the oil level should be approximately 4" (10 cm) below top of the filler neck.
4. If necessary, add either Mobil 1™, 15W-50 synthetic oil or Castrol Syntec™ 5W-50 oil. **DO NOT** use conventional oils.
5. Reinstall the reservoir cap.

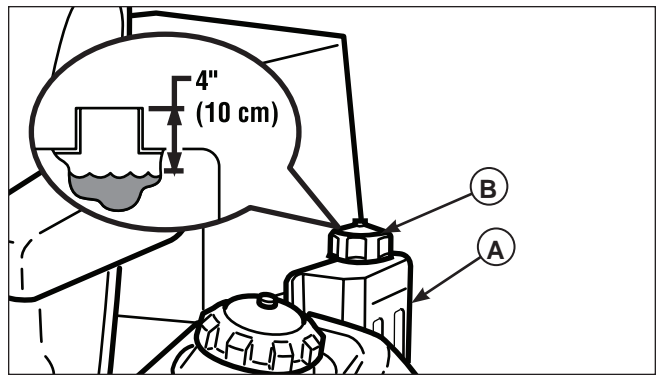


Figure 16. Checking Hydraulic Oil Level  
A. Hydraulic Oil Reservoir  
B. Reservoir Cap

## Change Hydraulic Oil Filter

**Change Interval:** Every 250 Hours

**Filter Part Number:** 1719168

*NOTE: Removing the oil filter from the filter base will drain the oil reservoir. Have a suitable container ready to catch any spilled oil. Ferris recommends this be a dealer-only service item.*

1. Locate the transmission oil filter (A, Figure 17). The transmission oil filter is located underneath the engine deck by the left rear tire of the machine.
2. Lubricate the new filter gasket with a few drops of transmission oil. Fill the filter half full of oil.
3. Clean the area around the filter base and remove the filter. Do NOT drain the hydraulic system oil.
4. Thread the new filter onto the filter base until the gasket makes contact, then tighten 3/4 of a turn more.
5. Run the unit for several minutes and check the transmission oil level.

*IMPORTANT NOTE: Use caution after changing the filter; air in the hydraulic system may affect the responsiveness of the control levers. Repeat step 5 until the air is out of the system.*

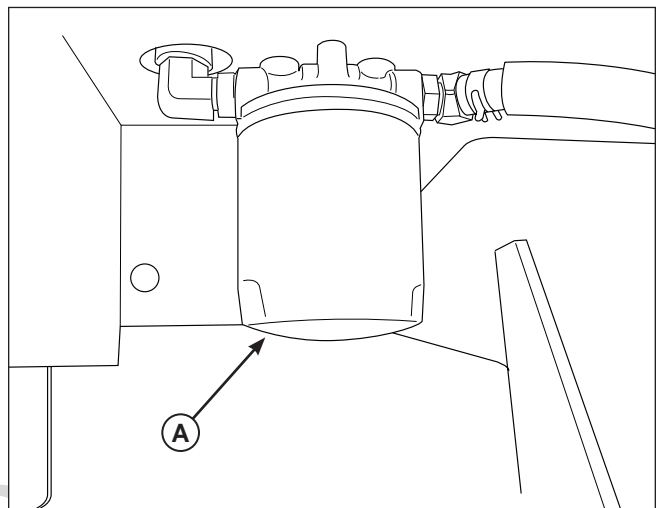


Figure 17. Change Hydraulic Oil Filter  
A. Hydraulic Oil Filter

## Check Engine Coolant Level

### **WARNING**

**If engine is warm, DO NOT remove radiator cap.**

**Escaping steam can cause burns.**

**Never remove the radiator cap or radiator reservoir cap while the engine is hot or running. Severe thermal burns or injury can occur by escaping steam or hot coolant.**

- Do NOT touch hot radiator or open reservoir when engine is running.
- Stop and allow engine to cool before removing the radiator cap or the reservoir cap and before changing or adding coolant.

The engine coolant level and quality should be checked before each use, when the engine is cool and off.

The cooling system is a closed type. Never open the radiator cap unless you are flushing the system. Opening the radiator cap may induce air into the cooling system and may cause overheating.

1. Open the hood to gain access to the overflow bottle. (See Figure 18).
2. Check the coolant level only at the overflow reservoir (A, Figure 18). The coolant level should be at the LOW (COLD) mark.
3. If the coolant level is insufficient, remove the cap (E) from the reservoir and add coolant to the LOW (COLD) mark. See engine owners manual for specific engine coolant specifications.
4. Reinstall the cap.

*NOTE: Proper coolant mix is a 50/50 mixture of ethylene glycol and distilled water. See engine owners manual for engine coolant specifications.*

## Change Engine Coolant

See engine owners manual for specific engine coolant procedures. The drain valve is located at the base of the right-hand side of the radiator.

## Clean Radiator & Screen

Clean the radiator (A, Figure 19) and screen before each use, or as required (depending on conditions) to allow proper air-flow through radiator and hydraulic oil cooler.

1. Raise the seat plate.
2. Lift the radiator screen (B) straight up to remove the screen. Flush the screen with water or blow clean with air. Flush the radiator core with water or blow clean with air. See engine owners manual for proper radiator cleaning procedures.

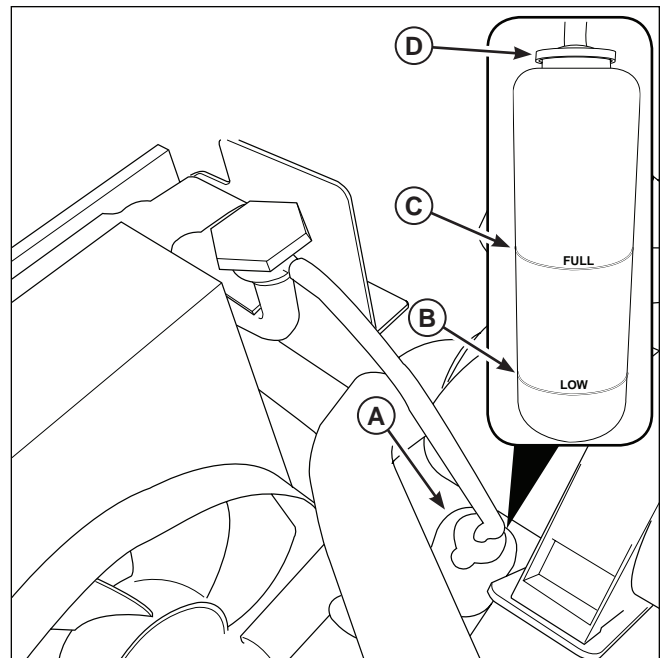


Figure 18. Checking the Engine Coolant Level

- A. Overflow Reservoir
- B. LOW (Cold) Mark
- C. FULL (Hot) Mark
- D. Cap

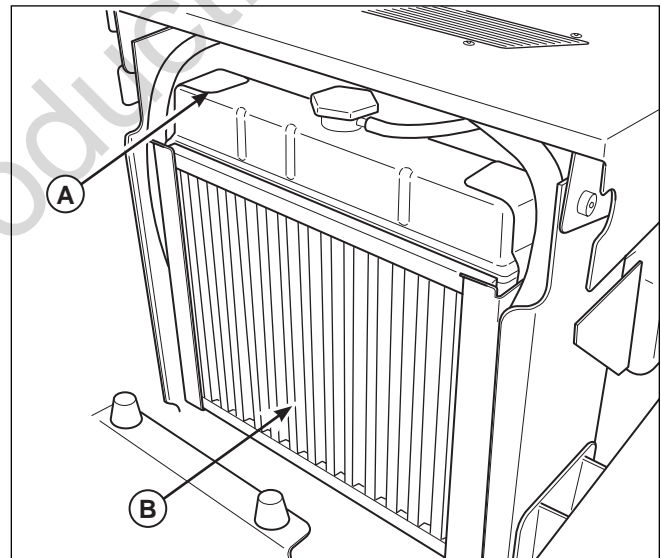


Figure 19. Cleaning the Radiator & Screen

- A. Radiator
- B. Radiator Screen

3. Reinstall the radiator screen. Make sure the screen is fully seated in the carrier.
4. Lower the seat plate.



# Regular Maintenance

## Lubrication

Lubricate the unit at the locations shown in Figures 20 through 26 as well as the following lubrication points.

### Grease:



- front caster wheel axles & yokes
- deck lift pivot blocks
- mower deck spindles
- mower deck idler arm
- pump & PTO drive idler arms
- drive shaft universal joint

Use grease fittings when present. Disassemble parts to apply grease to moving parts when grease fittings are not installed.

Not all greases are compatible. Ferris Red Grease (p/n 5022285) is recommended, automotive-type high-temperature, lithium grease may be used when this is not available.

### Oil:



- control handle pivots
- seat plate pivots
- deck lift pivots
- discharge chute hinge

Generally, all moving metal parts should be oiled where contact is made with other parts. Keep oil and grease off belts and pulleys. Remember to wipe fittings and surfaces clean both before and after lubrication.

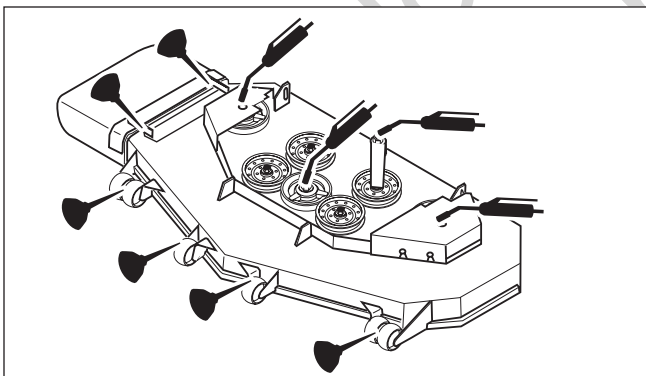


Figure 20. Deck Lubrication

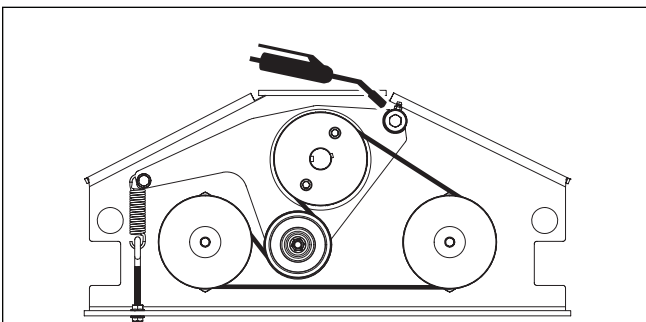


Figure 21. Pump Drive Idler Arm

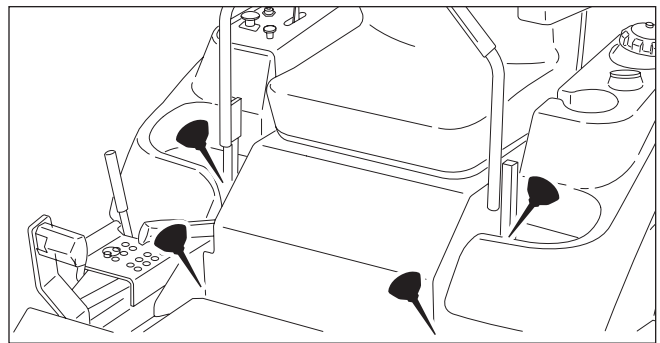


Figure 22. Control Handle Pivots & Seat Plate Pivots

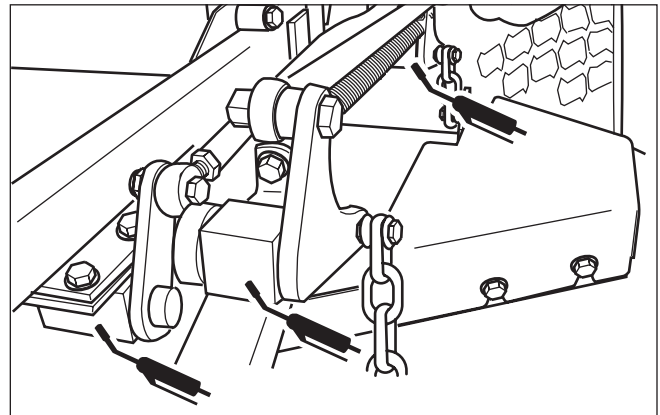


Figure 23. Deck Lift Linkage Pivots

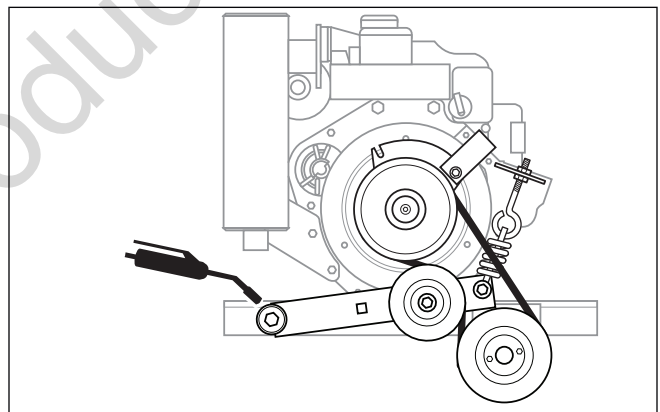


Figure 24. PTO Drive Idler Arm

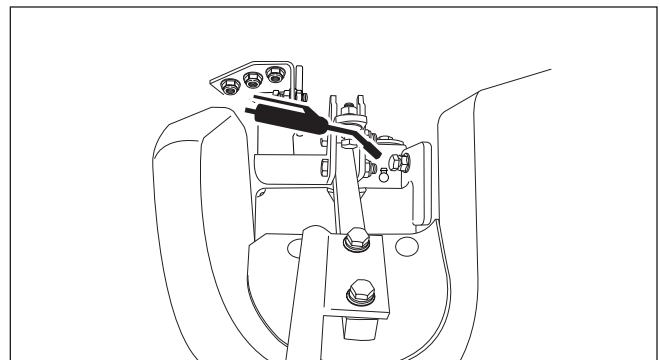


Figure 25. Suspension Pivots

### Lubricating the Drive Shaft

**Maintenance Interval:** Every 250 hours.

1. Position the drive shaft so that the plug (A, Figure 26) can be accessed from beneath the machine through the hole in the engine cradle.
2. Remove the plug and install a 1/4-28 grease fitting.
3. Grease the drive shaft.
4. Remove the 1/4-28 grease fitting and reinstall the plug.

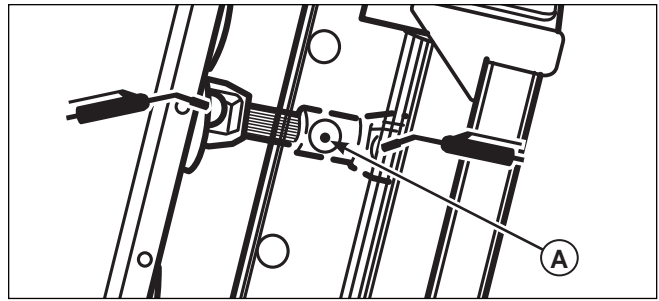


Figure 26. Drive Shaft (Bottom side of unit shown)  
A. Plug

### Lubricating the Front Casters

**Maintenance Interval:** Annually.

1. Remove the 1/4-28 bolt (A, Figure 27) screwed into the caster and install a 1/4-28 grease fitting.
2. Grease the front caster
3. Remove the 1/4-28 grease fitting and reinstall the 1/4-28 bolt
4. Repeat the process for the other side of the machine.

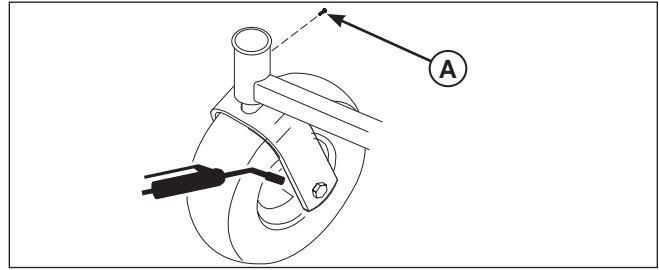


Figure 27. Front Caster & Wheel  
A. 1/4-28 Bolt

Not for  
Reproduction

# Regular Maintenance

## Cleaning the Battery and Cables

*NOTE: This unit is equipped with a maintenance-free BCIU1 battery.*

### Removing the Floor Pan to Access the Battery:

**S/N: 2014696070 & Below:**

1. Tilt the left side of the floor pan (C, Figure 28) up so that the locking pins clear the holes in the frame. Slide the floor pan to the left until it stops.
2. Raise the floor pan straight up and remove from the machine.

**S/N: 2014696071 - 2016564121:**

1. Remove the two hair pins with lanyards (D) from the floor pan retention pins (E).
2. Raise the floor pan straight up and remove from the machine.

**S/N: 2016564122 & Above:**

1. Remove the two hair pins with lanyards (D) from the floor pan retention pins (E).
2. Slide the floor pan towards the back of the machine and then lift up to remove from the machine.

### Cleaning the Battery and Cables:

1. Disconnect the cables from the battery, negative (black) cable first (B).
2. Clean the battery terminals and cable ends with a wire brush until shiny.
3. Reinstall the battery and reattach the battery cables, positive (red) cable first (A).
4. Coat the cable ends and battery terminals with petroleum jelly or non-conducting grease.

### Reinstall the Floor Pan:

**S/N: 2014696070 & Below:**

1. Insert the floor pan so that the right locking pins go into the holes in the right side of the frame. Push the floor pan to the right until it stops and then lower the floor pan into place.

**S/N: 2014696071 - 2016564121:**

1. Insert the floor pan onto the machine and install the two hair pins with lanyards (D) into the floor pan retention pins (E).

**S/N: 2016564122 & Above:**

1. Position the floor pan so that the rubber bushings slide into the slots in the rear frame brace. Pull the floor pan forward and lower into place.
2. Install the two hair pins with lanyards into the floor pan retention pins.

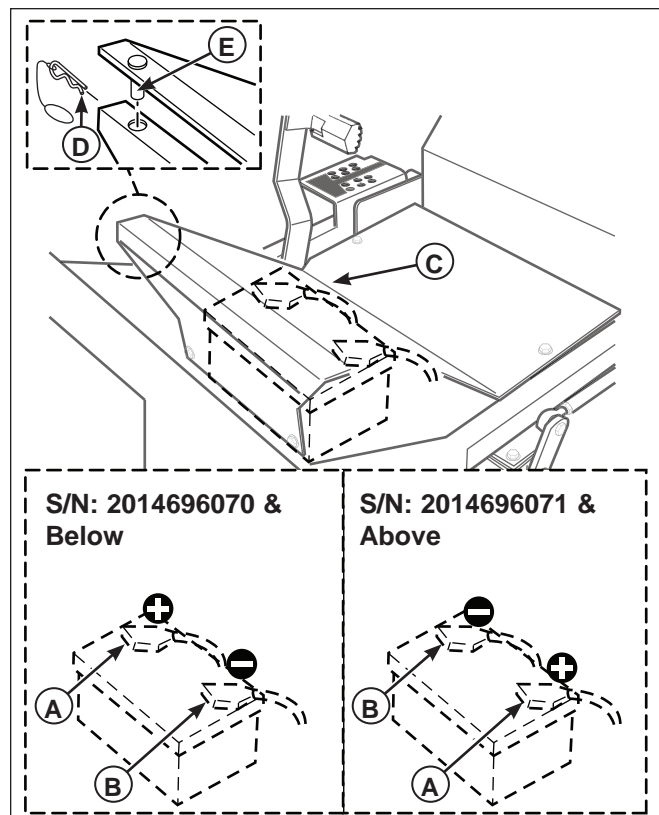


Figure 28. Battery Compartment

- A. Positive (+) Cable & Terminal
- B. Negative (-) Cable & Terminal
- C. Floor pan
- D. Hair Pins with Retainers
- E. Floor Pan Retention Pin

## ! WARNING

Be careful when handling the battery. Avoid spilling electrolyte. Keep flames and sparks away from the battery.

When removing or installing battery cables, disconnect the negative cable FIRST and reconnect it LAST. If not done in this order, the positive terminal can be shorted to the frame by a tool.

## Servicing the Mower Blades

### Removing the Mower Blade

#### **CAUTION**

Avoid injury. Mower blades are sharp.

- Always wear gloves when handling mower blades or working near blades.

1. To remove the mower blade, wedge a wooden block between the mower blade and the mower deck housing to keep the blade from turning and remove the mower blade mounting bolt with a 15/16" wrench (Figure 29).

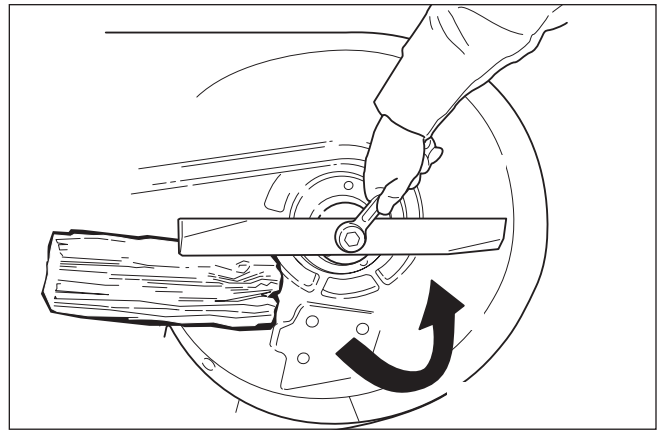


Figure 29. Loosening the Mower Blade for Removal

### Inspecting the Mower Blade

#### **DANGER**

Avoid injury. A worn or damaged blade can break, and a piece of the mower blade could be thrown into the operator's or bystander's area, resulting in serious personal injury or death.

- Inspect the mower blade every 25 hours or at least once a year.
- If the mower blade hits a solid object, stop the engine immediately and inspect the mower blade.
- Never weld or straighten bent mower blades.

1. Remove the mower blade from the unit.
2. Inspect the mower blade (Figures 30 & 31). Discard the mower blade if it has any of the below conditions:
  - A.) Has more than .5" (12,7 mm) of the mower blade metal removed from previous sharpening or wear (D, Figure 30).
  - B.) The air lifts are excessively eroded (B & C, Figure 31) and the notch (C) is .25" (6,35 mm) deep or greater.
  - C.) Mower blade is bent or broken.
3. If the cutting edges are not sharp or have nicks, sharpen the blades. See SHARPENING THE MOWER BLADES.

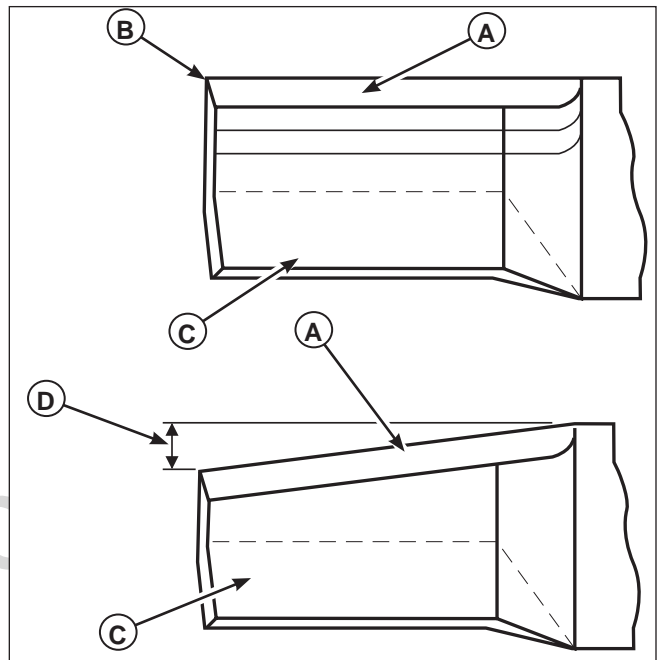


Figure 30. Inspecting the Mower Blade Tips

- A. Mower Blade Cutting Edge
- B. Square Corner
- C. Air Lift
- D. Wear Measurement - DISCARD Mower Blade If greater than .5" (12,7 mm)

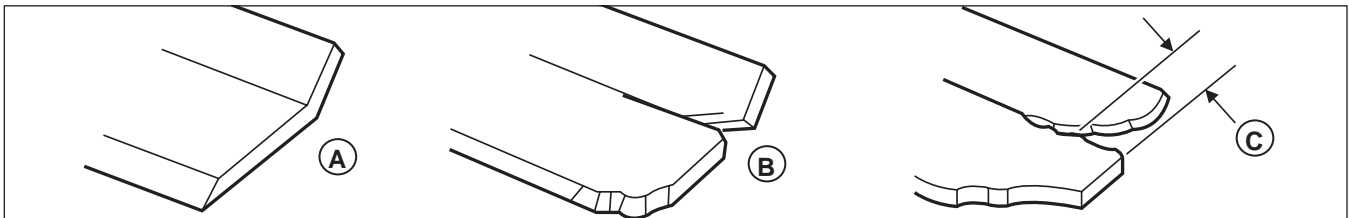


Figure 31. Inspecting the Mower Blade Air Lifts

- A. New Mower Blade
- B. Mower Blade at Wear Limit (A notch begins to form)
- C. Mower Blade in Dangerous Condition (Notch measures .25" (6,35 mm) or greater DO NOT USE. Replace with new mower blade.)

# Regular Maintenance

## Sharpening the Mower Blades

### **CAUTION**

Avoid injury. Mower blades are sharp.

- Always wear gloves when handling mower blades or working near blades.
- Always wear safety eye protection when grinding

1. Sharpen the mower blade with a grinder, hand file, or electric blade sharpening.
2. Sharpen the mower blade by removing an equal amount of material from each end of the mower blade.
3. Keep the original bevel (A, Figure 32) when grinding. Do NOT change the mower blade bevel.
4. The mower blade should have a maximum 1/64" (0,40 mm) cutting edge (B) or less.
5. Balance the mower blade before installing.

## Balancing the Mower Blades

### **CAUTION**

Avoid injury. Keep mower blades balanced.

- An unbalanced mower blade can create excessive vibration and damage the unit or cause mower blade failure.

1. Clean the mower blade to remove any dried grass or other debris.
2. See Figure 33. Put the mower blade on a nail in a vise and turn the blade to the horizontal position.
3. Check the balance of the mower blade. If either end of the mower blade moves downward, sharpen the heavy end until the mower blade is balanced. See SHARPENING THE MOWER BLADES for proper sharpening instructions.
4. Repeat the process until the mower blade remains in the horizontal position.

## Reinstalling the Mower Blades

1. Reinstall each mower blade with the air lifts pointing up towards the mower deck as shown in Figure 34. Secure with the mower blade mounting bolt and flat washer (A & B, Figure 34) and torque to 70 ft. lbs (94 Nm).
2. Wedge a wooden block between the mower blade and the mower deck housing to keep the mower blade from turning.

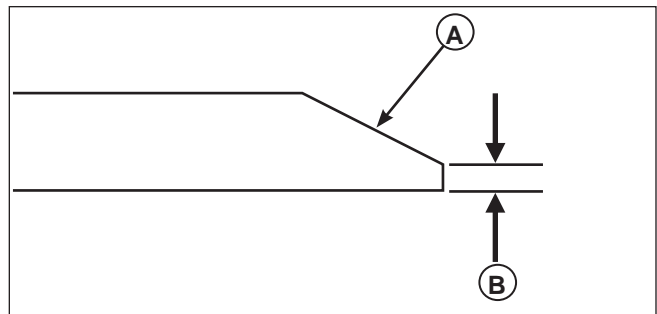


Figure 32. Sharpening the Mower Blade  
A. Mower Blade Bevel  
B. Mower Blade Cutting Edge

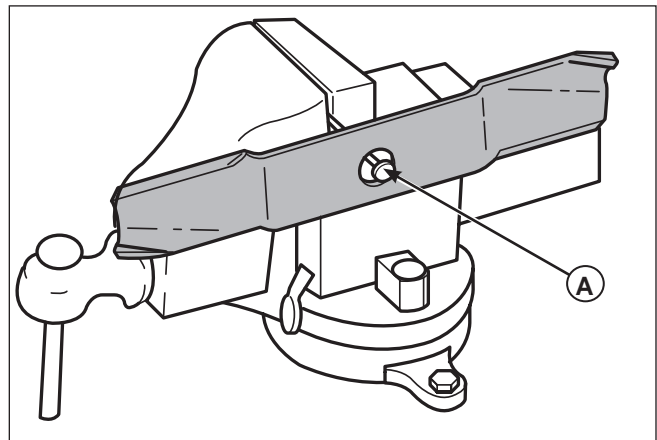


Figure 33. Balancing the Mower Blade  
A. Nail

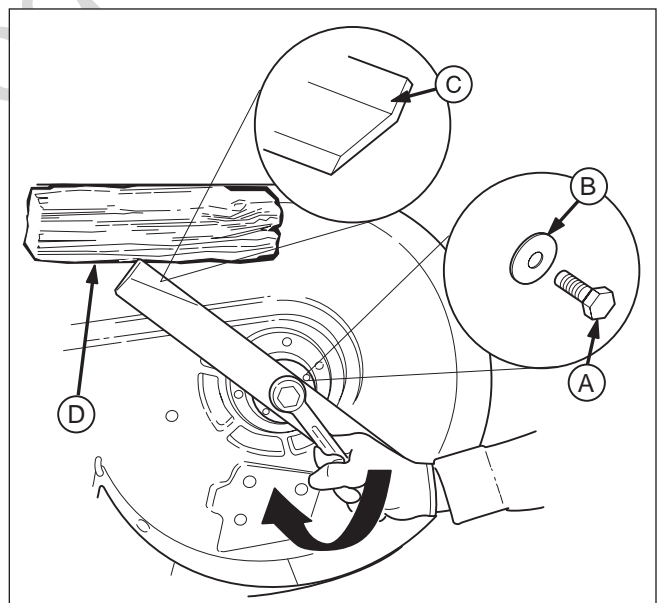


Figure 34. Tightening the Mower Blade for Installation  
A. Mower Blade Mounting Bolt  
B. Flat Washer  
C. Mower Blade Air Lift (Points Up For Installation)  
D. 4 X 4 Wooden Block



## Fuse Location

The fuse block is located on the side of the instrument control panel mounted on the right hand side fuel tank. Refer to Figure 35 for the location and amperage of the fuses used in this machine.

### S/N 2015276814 & Below:

- A. **PTO Clutch:** 20 amp fuse
- B. **Fuel Solenoid:** 20 amp fuse
- C. **Alternator:** 20 amp fuse
- D. **Main:** 40 amp fuse

### S/N 2015276815 & Above:

- A. **Key Switch:** 20 amp fuse:
- B. **Charge Circuit:** 20 amp fuse
- C. **PTO Clutch:** 20 amp fuse
- D. **Auxiliary:** 20 amp fuse

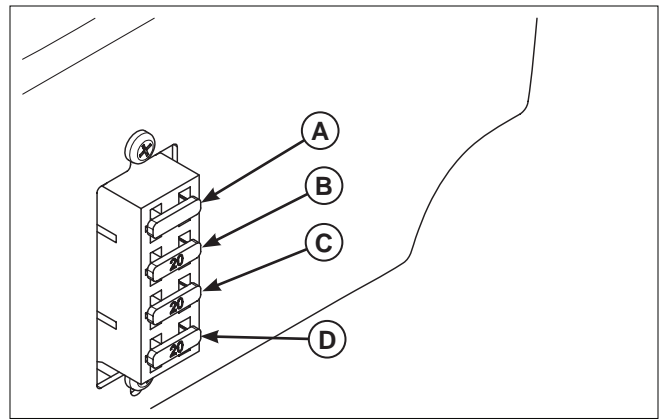


Figure 35. Fuse Location

## Gearbox Maintenance

### Check Gearbox Oil Level

1. Remove fill plug (A, Figure 36) on gearbox.
2. Once plug is removed, oil should seep out of fill plug hole. If no oil drains out, fill with SAE 80-90 weight gear oil until oil starts to seep from hole, then replace fill plug.

### Changing Gearbox Oil

*NOTE: The gearbox lubricant should be changed after the first 100 hrs. or 30 days of operation, then after 500 hours or 12 months.*

1. Remove the mower deck drive belt (see MOWER DRIVE BELT REMOVAL & REPLACEMENT for instructions).
2. Rotate the mower deck drive pulley on the gearbox so the drain plug is aligned with the opening between the pulley spokes.
3. Place a container under the gearbox drain hole and remove the drain plug (B).
4. Replace drain plug and fill with SAE 80-90 weight gear oil until oil starts to seep from hole, then replace fill plug.
5. Using a parts solvent, thoroughly clean any excess oil from the pulley faces and groove.
6. Reinstall the mower deck drive belt (see MOWER DRIVE BELT REMOVAL & REPLACEMENT for instructions).

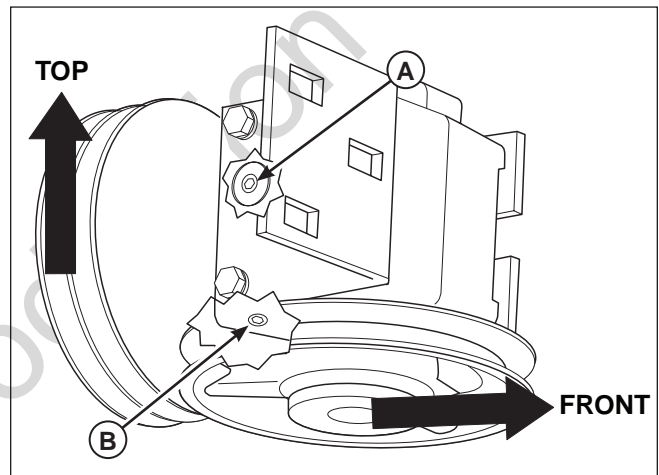


Figure 36. Gearbox Oil Level

- A. Fill Plug
- B. Drain Plug

## Troubleshooting

While normal care and regular maintenance will extend the life of your equipment, prolonged or constant use may eventually require that service be performed to allow it to continue operating properly.

The troubleshooting guide below lists the most common problems, their causes and remedies.

See the information on the following pages for instructions on how to perform most of these minor adjustments and service repairs yourself. If you prefer, all of these procedures can be performed for you by your local authorized dealer.

### **WARNING**

**To avoid serious injury, perform maintenance on the tractor or mower only when the engine is stopped and the parking brake engaged.**

**Always remove the ignition key, disconnect the spark plug wire and fasten it away from the plug before beginning the maintenance, to prevent accidental starting of the engine.**

## Troubleshooting the Rider

PROBLEM	CAUSE	REMEDY
<b>Engine will not turnover or start.</b>	<ol style="list-style-type: none"> <li>1. Parking brake not engaged.</li> <li>2. PTO (electric clutch) switch in ON position.</li> <li>3. Out of fuel.</li> <li>4. Motion Control Handles not</li> <li>5. Operator not in seat.</li> <li>6. Glow plugs not pre-heated.</li> <li>7. Fuse blown.</li> <li>8. Battery terminals require cleaning.</li> <li>9. Battery discharged or dead.</li> <li>10. Wiring loose or broken.</li> <li>11. Solenoid or starter motor faulty.</li> <li>12. Safety interlock switch faulty.</li> <li>13. Water in fuel.</li> <li>14. Fuel is old or stale.</li> </ol>	<ol style="list-style-type: none"> <li>1. Engage parking brake.</li> <li>2. Place in OFF position.</li> <li>3. If engine is hot, allow it to cool, then refill the fuel tanks. Prime the fuel system.</li> <li>4. Lock handles in neutral position. locked in neutral position.</li> <li>5. Assume operator's position in seat.</li> <li>6. Pre-heat glow plugs.</li> <li>7. Replace fuse.</li> <li>8. Clean the battery terminals</li> <li>9. Recharge or replace.</li> <li>10. Visually check wiring &amp; replace broken or frayed wires. Tighten loose connections.</li> <li>11. Repair or replace. See authorized service dealer</li> <li>12. Replace as needed. See authorized service dealer.</li> <li>13. Drain fuel &amp; refill with fresh fuel.</li> <li>14. Drain fuel &amp; replace with fresh fuel.</li> </ol>
<b>Engine starts hard or runs poorly.</b>	<ol style="list-style-type: none"> <li>1. Fuel mixture too rich.</li> <li>2. Air in fuel system.</li> </ol>	<ol style="list-style-type: none"> <li>1. Clean air filter.</li> <li>2. Prime the fuel system.</li> </ol>
<b>Engine knocks.</b>	<ol style="list-style-type: none"> <li>1. Low oil level.</li> <li>2. Using wrong grade oil.</li> </ol>	<ol style="list-style-type: none"> <li>1. Check/add oil as required.</li> <li>2. See engine manual.</li> </ol>
<b>Excessive oil consumption.</b>	<ol style="list-style-type: none"> <li>1. Engine running too hot.</li> <li>2. Using wrong weight oil.</li> <li>3. Too much oil in crankcase.</li> </ol>	<ol style="list-style-type: none"> <li>1. Clean radiator screens and air cleaner.</li> <li>2. See engine manual.</li> <li>3. Drain excess oil.</li> </ol>
<b>Engine exhaust is black.</b>	<ol style="list-style-type: none"> <li>1. Dirty air filter.</li> <li>2. Air in fuel system</li> </ol>	<ol style="list-style-type: none"> <li>1. Replace air filter. See engine manual.</li> <li>2. Prime the fuel system.</li> </ol>

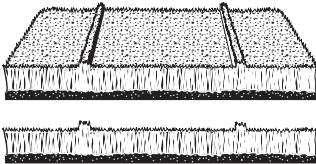
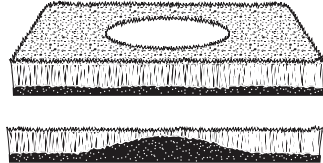
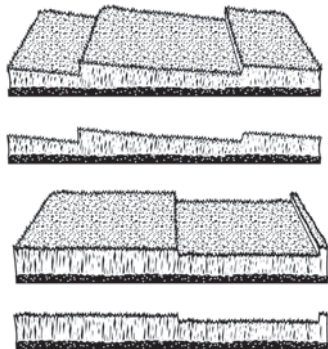
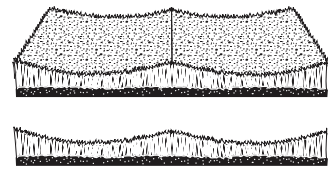
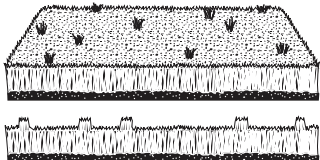
## Rider Troubleshooting Continued.

PROBLEM	CAUSE	REMEDY
<b>Engine runs, but rider will not drive.</b>	<ol style="list-style-type: none"> <li>1. Hydraulic release valve(s) in "open" position.</li> <li>2. Belt is broken.</li> <li>3. Drive belt slips.</li> <li>4. Brake is not fully released.</li> </ol>	<ol style="list-style-type: none"> <li>1. Turn valve(s) clockwise to close.</li> <li>2. See Drive Belt Replacement.</li> <li>3. See problem and cause below.</li> <li>4. See authorized service dealer</li> </ol>
<b>Rider drive belt slips.</b>	<ol style="list-style-type: none"> <li>1. Pulleys or belt greasy or oily.</li> <li>2. Tension too loose.</li> <li>3. Belt stretched or worn.</li> </ol>	<ol style="list-style-type: none"> <li>1. Clean as required.</li> <li>2. Adjust spring tension. See Drive Belt Replacement</li> <li>3. Replace belt.</li> </ol>
<b>Brake will not hold.</b>	<ol style="list-style-type: none"> <li>1. Brake is incorrectly adjusted.</li> <li>2. Brake pads worn.</li> </ol>	<ol style="list-style-type: none"> <li>1. See Brake Adjustment.</li> <li>2. Replace with new brake pads.</li> </ol>
<b>Rider steers or handles poorly.</b>	<ol style="list-style-type: none"> <li>1. Steering linkage is loose.</li> <li>2. Improper tire inflation.</li> </ol>	<ol style="list-style-type: none"> <li>1. Check and tighten any loose connections.</li> <li>2. See Regular Maintenance Section.</li> </ol>

## Troubleshooting the Mower

PROBLEM	CAUSE	REMEDY
<b>Mower will not raise.</b>	<ol style="list-style-type: none"> <li>1. Lift linkage not properly attached or damaged.</li> </ol>	<ol style="list-style-type: none"> <li>1. See authorized service dealer for repair.</li> </ol>
<b>Engine stalls easily with mower engaged.</b>	<ol style="list-style-type: none"> <li>1. Engine speed too slow.</li> <li>2. Ground speed too fast.</li> <li>3. Cutting height set too low.</li> <li>4. Discharge chute jamming with cut grass.</li> </ol>	<ol style="list-style-type: none"> <li>1. Set to full throttle.</li> <li>2. Decrease Ground Speed.</li> <li>3. Cut tall grass at maximum cutting height during first pass.</li> <li>4. Cut grass with discharge pointing toward previously cut area.</li> </ol>
<b>Excessive mower vibration.</b>	<ol style="list-style-type: none"> <li>1. Blade mounting bolts are loose.</li> <li>2. Mower blades, arbors, or pulleys are bent.</li> <li>3. Mower blades are out of balance.</li> <li>4. Belt installed incorrectly.</li> </ol>	<ol style="list-style-type: none"> <li>1. Tighten to 70 ft.lbs. (94 N.m.).</li> <li>2. Check and replace as necessary.</li> <li>3. Remove, sharpen, and balance blades. See Maintenance Section.</li> <li>4. Reinstall Correctly.</li> </ol>
<b>Excessive belt wear or breakage.</b>	<ol style="list-style-type: none"> <li>1. Bent or rough pulleys.</li> <li>2. Using incorrect belt.</li> </ol>	<ol style="list-style-type: none"> <li>1. Repair or replace.</li> <li>2. Replace with correct belt.</li> </ol>
<b>Mower drive belt slips or fails to drive.</b>	<ol style="list-style-type: none"> <li>1. Idler pulley spring broken or not properly attached.</li> <li>2. Mower drive belt broken.</li> </ol>	<ol style="list-style-type: none"> <li>1. Repair or replace as needed.</li> <li>2. Replace drive belt.</li> </ol>
<b>Mower does not engage.</b>	<ol style="list-style-type: none"> <li>1. Electrical wiring damage.</li> <li>2. PTO clutch not adjusted</li> <li>3. Battery voltage too low.</li> </ol>	<ol style="list-style-type: none"> <li>1. Locate &amp; repair damaged wire.</li> <li>2. See PTO Clutch Adjustment section</li> <li>3. Recharge battery and check alternator. See Battery Maintenance section.</li> </ol>
<b>Mower disengages during operation and will not re-engage (See Deck Shut Down Module).</b>	<ol style="list-style-type: none"> <li>1. Unit has overheated.</li> <li>2. Unit has lost oil pressure.</li> </ol>	<ol style="list-style-type: none"> <li>1. Allow engine to cool, disengage mower and then re-engage mower.</li> <li>2. Shut unit down and see dealer.</li> </ol>

## Troubleshooting Common Cutting Problems

PROBLEM	CAUSE	REMEDY
<p><b>Streaking.</b></p> 	<ol style="list-style-type: none"> <li>1. Blades are not sharp.</li> <li>2. Blades are worn down too far.</li> <li>3. Engine speed is too slow.</li> <li>4. Ground speed is too fast.</li> <li>5. Deck is plugged with grass</li> <li>6. Not overlapping cutting rows enough.</li> <li>7. Not overlapping enough when turning.</li> </ol>	<ol style="list-style-type: none"> <li>1. Sharpen your blades.</li> <li>2. Replace your blades.</li> <li>3. Always mow at full throttle.</li> <li>4. Slow down.</li> <li>5. Clean out the mower.</li> <li>6. Overlap your cutting rows.</li> <li>7. When turning your effective cutting width decreases—overlap more when turning.</li> </ol>
<p><b>Scalping.</b></p> 	<ol style="list-style-type: none"> <li>1. Lawn is uneven or bumpy.</li> <li>2. Mower deck cutting height is set too low.</li> <li>3. Ground speed is too fast.</li> <li>4. Deck is not leveled correctly.</li> <li>5. Tire pressure is low or uneven</li> </ol>	<ol style="list-style-type: none"> <li>1. Roll or level the lawn.</li> <li>2. Raise the cutting height.</li> <li>3. Slow down.</li> <li>4. Correctly level the deck.</li> <li>5. Check and inflate the tires.</li> </ol>
<p><b>Stepped Cutting.</b></p> 	<ol style="list-style-type: none"> <li>1. Deck is not leveled correctly.</li> <li>2. Tires are not properly inflated.</li> <li>3. Blades are damaged.</li> <li>4. Deck shell is damaged.</li> <li>5. Mower spindle is bent or loose.</li> <li>6. Blades are installed incorrectly.</li> </ol>	<ol style="list-style-type: none"> <li>1. Level the deck correctly.</li> <li>2. Check and inflate the tires.</li> <li>3. Replace the blades.</li> <li>4. Repair or replace the deck.</li> <li>5. Repair or replace the spindle.</li> <li>6. Reinstall the blades correctly.</li> </ol>
<p><b>Uneven Cutting.</b></p> 	<ol style="list-style-type: none"> <li>1. Deck is not leveled correctly.</li> <li>2. Blades are dull or worn.</li> <li>3. Blades are damaged.</li> <li>4. Deck is clogged with grass clippings.</li> <li>5. Deck shell is damaged.</li> <li>6. Mower spindle is bent or loose.</li> <li>7. Blades are installed incorrectly.</li> <li>8. Tires are not properly inflated.</li> </ol>	<ol style="list-style-type: none"> <li>1. Level the deck correctly.</li> <li>2. Sharpen or replace the blades.</li> <li>3. Replace the blades.</li> <li>4. Clean out the deck.</li> <li>5. Repair or replace the deck.</li> <li>6. Repair or replace the spindle.</li> <li>7. Reinstall the blades correctly.</li> <li>8. Check and inflate the tires.</li> </ol>
<p><b>Stingers.</b></p> 	<ol style="list-style-type: none"> <li>1. Blades are not sharp or nicked.</li> <li>2. Blades are worn down too far.</li> <li>3. Engine speed is too slow.</li> <li>4. Ground speed is too fast.</li> <li>5. Deck is plugged with grass.</li> </ol>	<ol style="list-style-type: none"> <li>1. Sharpen your blades.</li> <li>2. Replace your blades.</li> <li>3. Always mow at full throttle.</li> <li>4. Slow down.</li> <li>5. Clean out the mower.</li> </ol>

## Seat Adjustment

The seat can be adjusted forward and back.

**S/N: 2014582798 & Below:** Move the seat adjustment lever (A, Figure 37) forward, position the seat as desired, and release the lever to lock the seat into position.

**S/N: 2014582799 & Above:** Move the seat adjustment lever (A) towards the left, position the seat as desired, and release the lever to lock the seat into position.

## Ground Speed Control Lever Adjustment

The control levers can be adjusted in three ways. The alignment of the control levers, the placement of the levers (how close the ends are to one another) and the height of the levers can be adjusted.

### To Adjust the Handle Alignment

Loosen the mount bolts (A, Figure 38) and pivot the lever(s) (C) to align with each other.

### To Adjust the Handle Placement

Loosen the jam nuts and adjust the placement bolt (B, Figure 38) in or out to properly adjust the lever end spacing.

### To Adjust the Handle Height

Remove the mounting hardware and reposition the handle either up or down from its original position. You will need to readjust the handle alignment as described above.

## Speed Balancing Adjustment

If the rider veers to the right or left when the ground speed control levers are in the maximum forward position, the top speed of each of these levers can be balanced by turning the adjustment bolt(s) (A, Figure 39). Only adjust the speed of the wheel that is traveling faster.

### To Reduce the Speed of the Faster Wheel

1. Loosen the securing nut.
2. Turn the top speed adjustment bolt COUNTER-CLOCKWISE to reduce the speed.
3. Retighten the securing nut when adjustment is complete.

## **⚠️ WARNING**

**DO NOT** adjust the tractor for a faster overall speed forward or reverse than it was designed for.

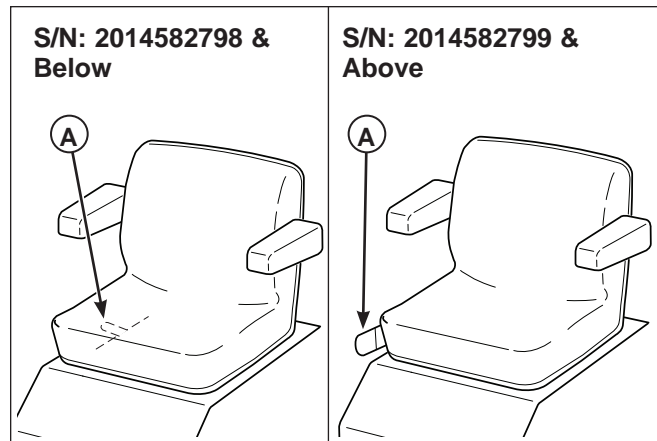


Figure 37. Seat Adjustment  
A. Seat Adjustment Lever

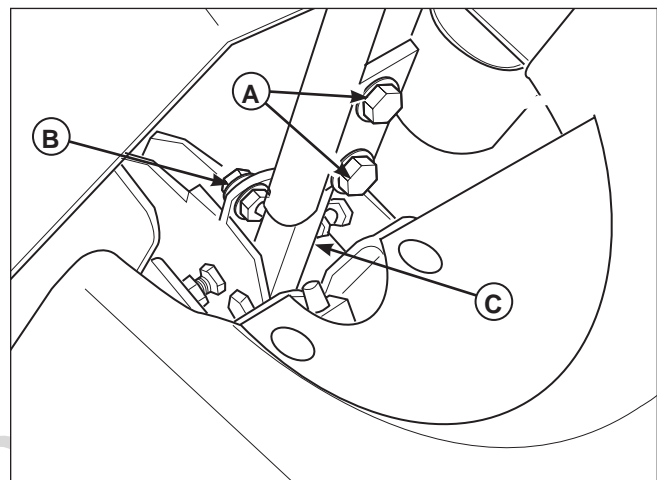


Figure 38. Control Lever Adjustment  
A. Alignment Hardware  
B. Placement Hardware  
C. Ground Speed Control Lever

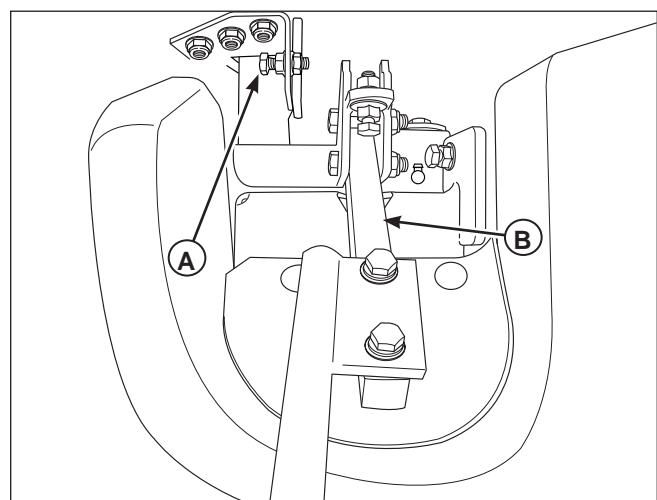


Figure 39. Top Speed Adjustment  
A. Top Speed Adjustment Bolt  
B. Control Lever Base



# Troubleshooting, Adjustment & Repair

## Neutral Adjustment

If the tractor “creeps” while the ground speed control levers are locked in NEUTRAL, then it may be necessary to adjust the linkage rod.

*NOTE: Perform this adjustment on a hard, level surface such as a concrete floor.*

1. Disengage the PTO, engage the parking brake and turn off the engine.
2. There are three nuts (B, Figure 40) on the linkage rod. The first two are to be used together to turn the rod and the third (towards the front of the machine) is used to lock the rod in place. Loosen the jam nut that locks against the ball joint (B, Figure 40) and turn the linkage rod (A) to adjust. If the machine creeps forward, turn the rod CLOCKWISE (while standing at the rear of the machine, facing forward), if the machine creeps backward, turn the rod COUNTER-CLOCKWISE.
3. Lock the jam nut (B) against the ball joint when neutral is achieved.

*NOTE: This adjustment should not be performed while the machine is running. It may take several attempts to achieved neutral, depending upon how much the machine creeps.*

## Return-to-Neutral Adjustment

To determine if it is necessary to adjust the neutral return, perform the following steps.

1. Disengage the PTO, engage the parking brake and turn off the engine.
2. Move the ground speed control levers into the operating position, pull levers rearward and release.
3. Move the ground speed control levers out towards the neutral position. If the levers do not align with the notches in the neutral lock plate, it is necessary to adjust the neutral return rod.

### To Adjust:

1. Loosen the set collar (B, Figure 41) locked against the return spring (A).
2. Lock the ground speed control levers in neutral.
3. Tighten set collar against the return spring.
4. Pull lever rearward and release to check that the lever stops aligned with notch in the neutral lock plate.

*It is important to note that after every adjustment of the neutral return spring, the lever must be returned to locked position to properly check the neutral position.*

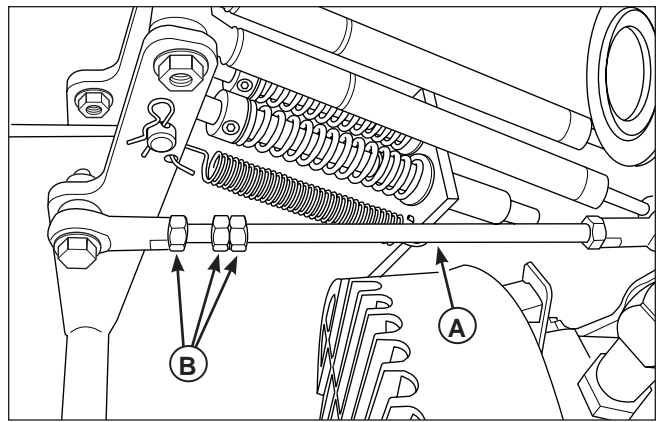


Figure 40. Neutral Adjustment  
(LH side shown)  
A. Adjustment Linkage Rod  
B. Nuts

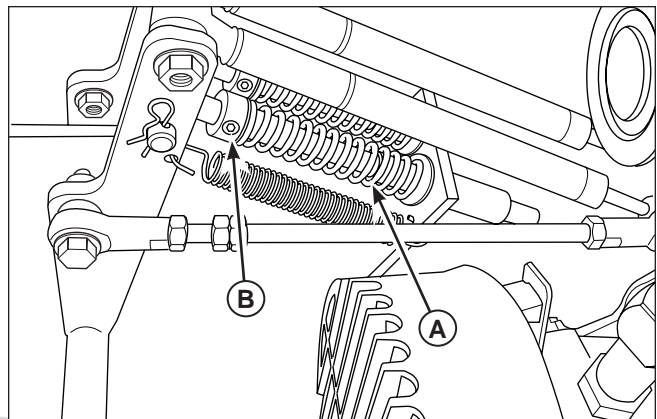


Figure 41. Return to Neutral Adjustment  
A. Return Spring  
B. Set Collar

### Parking Brake Adjustment

1. Disengage the PTO, engage the parking brake, stop the engine and remove the ignition key.
2. This unit has two brake springs (A, Figure 42). The brake springs are located under the front of the fuel tanks. Locate the brake springs. See Figure 42.
4. With the parking brake engaged, measure the compressed spring length. The spring should be 1-1/8" (2,9 cm) when compressed.

#### **CAUTION**

Do not adjust the spring to be shorter than 1-1/8" (2,9 cm) when compressed. This may damage the brake mechanism.

5. If the spring is not within this range, release the parking brake and turn the adjustment nut (B) to compress or release the spring.
6. Engage the parking brake and re-measure the spring.
7. Position the set collar (C) 1/4" (0,25 cm) away from the parking brake bracket (D) and tighten.

If this does not correct the braking problem, see your Ferris dealer.

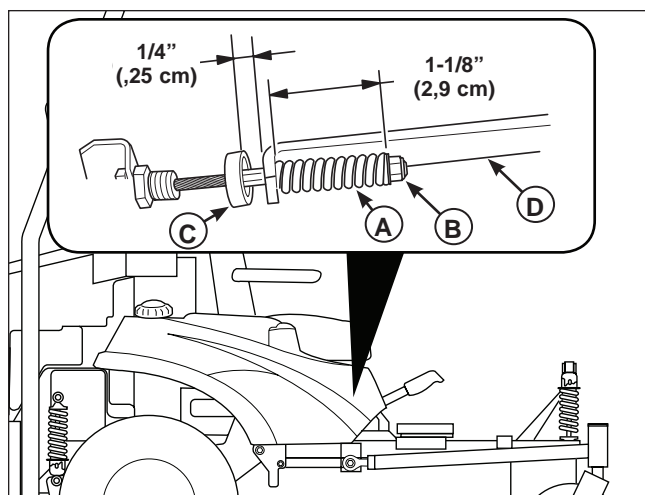


Figure 42. Parking Brake Adjustment

- A. Brake Spring
- B. Adjustment Nut
- C. Set Collar
- D. Parking Brake Bracket

## Suspension Adjustment

The shock assembly can be adjusted to vary the amount of pre-load applied to the springs. This allows the operator to maintain the ride height.

Use less pre-load for light weight operators. Use more pre-load for heavy weight operators.

### **⚠ WARNING**

Use two hands when adjusting the shock springs. This will prevent the wrench from slipping while pressure is being applied.

### To adjust the spring pre-load:

1. Park machine on a flat, level surface. Disengage the PTO, stop the engine and engage the parking brake.
2. See Figure 43. Using the supplied spanner wrench (p/n 5022853), insert the tip of the wrench into the notch in the pre-load adjuster. While holding the wrench with both hands, turn **CLOCKWISE** to decrease the pre-load, turn **COUNTER-CLOCKWISE** to increase the pre-load. Make sure that for each pair of shocks that the left-hand and right-hand are set to the same amount of pre-load.

*NOTE: Spanner wrench is located under the seat. Rear tires must be removed to adjust the rear suspension.*

*NOTE: It is recommended that the rear suspension be adjusted stiffer due to the added weight of the collection system.*

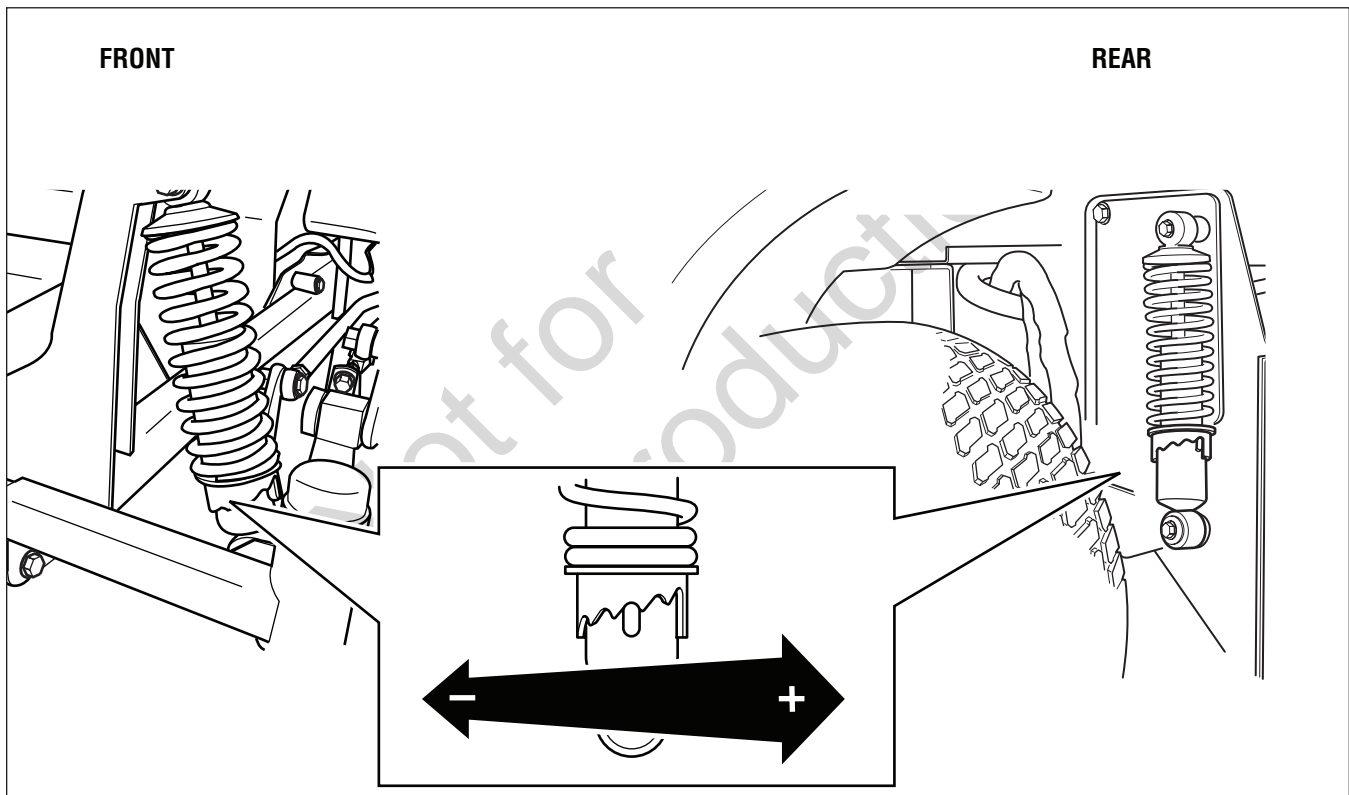


Figure 43. Suspension Adjustment

## Mowing Height Adjustment

The cutting height adjustment pin (A, Figure 44) controls the mower cutting height. The cutting height is adjustable between 1-3/4" (4,4 cm) and 5" (12,7 cm) in 1/4" (0,64 cm) increments.

1. Depress the deck lift foot pedal (B) until it locks into the 5" (12,7 cm) position.
2. Place the cutting height adjustment pin in the desired cutting height.
3. Depress the deck lift foot pedal then push the lock lever (C) towards the right to release the lock.
4. Release the deck lift foot pedal until it comes to rest against the cutting height adjustment pin.

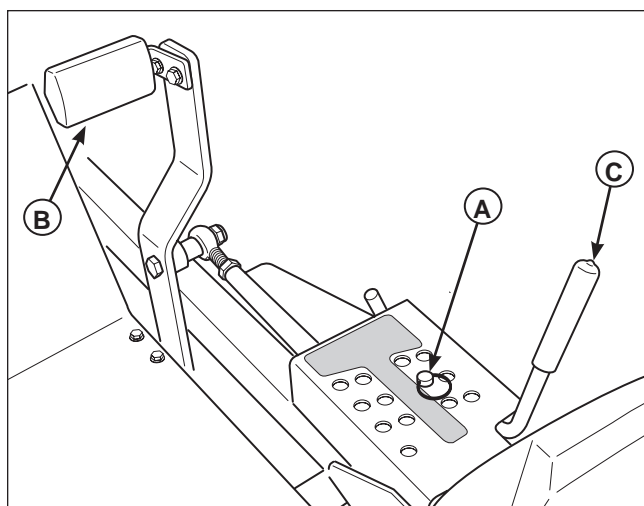


Figure 44. Mowing Height Adjustment

- A. Cutting Height Adjustment Pin
- B. Deck Lift Foot Pedal
- C. Deck Lift Lock lever

## Foot Pedal Adjustment

The deck lift foot pedal can be adjusted to accommodate the operator's height for optimal comfort.

### To adjust pedal position:

1. Remove the foot pedal (A, Figure 45) from the pedal mount tab (B).
2. Remove the pedal mount hardware (C) and rotate the tab 180 degrees.
3. Reinstall the pedal mount hardware and tighten securely.
4. Reinstall the foot pedal on the pedal mount tab in the proper orientation as shown in Figure 45.

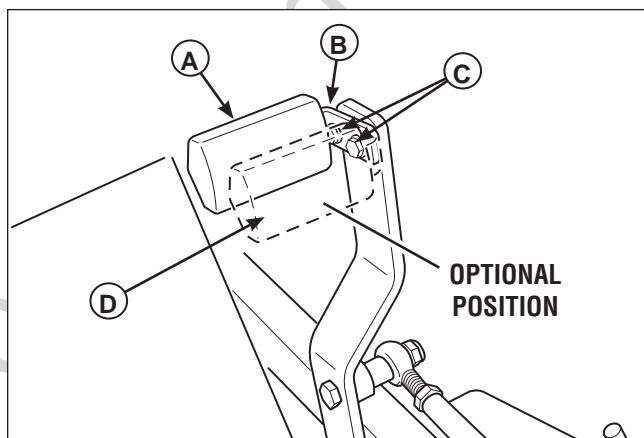


Figure 45. Foot Pedal Adjustment

- A. Deck Lift Foot Pedal
- B. Pedal Mount Tab
- C. Pedal Mount Hardware
- D. Optional Position

## Deck Lift Rod Timing Adjustment

1. Park machine on a flat, level surface. Disengage the PTO, stop the engine and engage the parking brake. Rear tires must be inflated to 18 psi (1,24 bar); front tires to 25 psi (1,72 bar).
2. To check the inner lift rod timing, measure and record the distance between the inner lift pivots and the inner rod pivots. Repeat for other side of unit. See Figure 46.
3. To check the outer lift rod timing, measure and record the distance between the outer lift pivots and the outer rod pivots. Repeat for other side of unit. See Figure 46.
4. If the measurements for the inner rods are equal, and the measurements for the outer rods are equal, no further adjustment is required. If the measurements are NOT equal (greater than 1/8" (3,17 mm) difference), adjustment is required, continue with Step 5.
5. Refer to Figure 47. Lock the deck lift pedal in the 5" (12,7 cm) position. Remove the cutting height adjustment pin and lower the mower deck.
6. To ensure that the deck is in the lowest position, push the pedal by hand towards the rear of the unit and install the height adjustment pin in the 3" (7.6 cm) position to hold in place.
7. Block up the mower deck until all hanger chains are slack.
8. Refer to Figure 48. To adjust the inner lift rod, loosen the jam nut on the front ball joint then remove the 1/2" hardware fastening the ball joint the lift pivot arm. Turn the ball joint clockwise to shorten the distance between the rod pivots or counterclockwise to lengthen the distance between the rod pivots. Reinstall the ball joint on the lift pivot arm and secure with the 1/2" hardware previously removed. Tighten the jam nut against the lift rod.
9. Refer to Figure 48. To adjust the outer lift rod, loosen the jam nut on the front ball joint then remove the 1/2" hardware fastening the ball joint the lift pivot arm. Turn the ball joint clockwise to shorten the distance between the rod pivots or counterclockwise to lengthen the distance between the rod pivots. Reinstall the ball joint on the lift pivot arm and secure with the 1/2" hardware previously removed. Tighten the jam nut against the lift rod.
10. Remove blocks from under the mower deck.
11. Remove the cutting height adjustment pin from in front of the deck lift pedal arm. Lift mower deck and reinstall adjustment pin in desired mowing height.

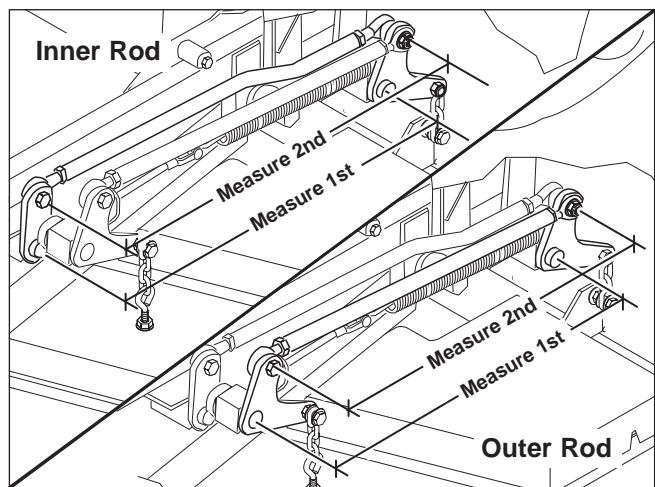


Figure 46. Measure the Inner & Outer Lift Rods

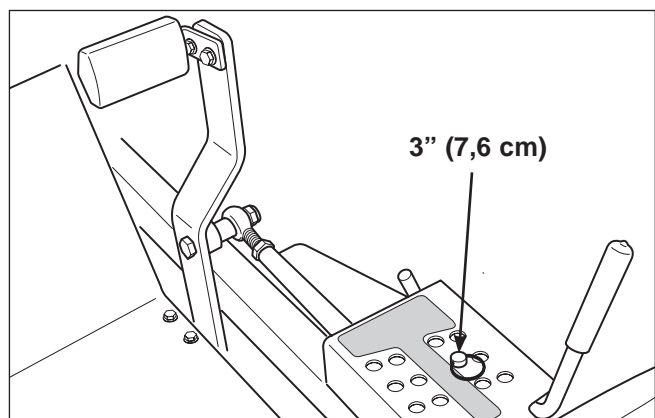


Figure 47. Deck Lift Pedal & Pin Position

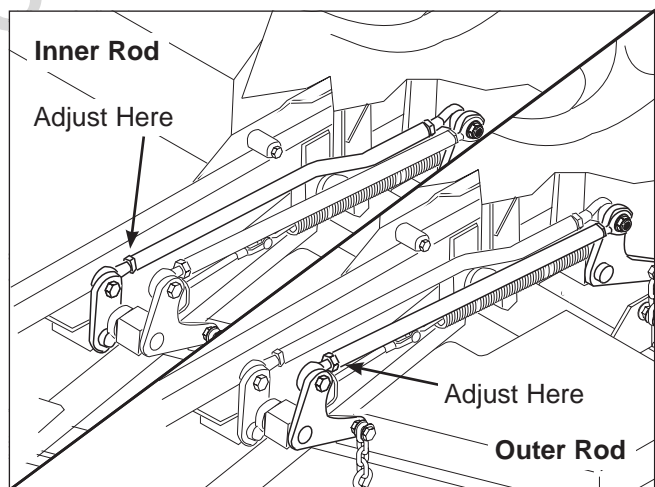


Figure 48. Adjust the Inner & Outer Lift Rods



## Deck Leveling Adjustment

*NOTE: Before adjusting the deck level, the deck lift rod timing must be checked and/or adjusted.*

### Coarse Adjustment Procedure

When adjusting the deck level, the coarse adjustment procedure should be used to make the majority of the adjustment and the *Fine Adjustment Procedure* should be used to complete the adjustment.

1. Park machine on a flat, level surface. Disengage the PTO, stop the engine and engage the parking brake. Rear tires must be inflated to 18 psi (1,24 bar); front tires to 25 psi (1,72 bar).
2. Lock the deck lift pedal in the 5" (12,7 cm) position. Place the deck height adjustment pin in the 4" position and lower deck the lift pedal until the arm contacts the pin.
3. Place 2 x 4 blocks under each corner of the mower deck with the 3-1/2" sides being vertical. See Figure 49.
4. 52" Models Only: Loosen the nuts and allow the front of the deck to rest of the 2 x 4's. Slide the chains down in the slots until the chains are tight and tighten the nuts. See Figure 50.
- 4a. 61" Models Only: Adjust the front eyebolts until the chains are tight and the deck is still resting on the 2 x 4's. Tighten the jam nuts. See Figure 50.
5. Loosen the nuts and allow the rear of the deck to rest on the 2 x 4's. Slide the chains down in the slots until the chains are tight and tighten the nuts. See Figure 50.
6. Remove all 2 x 4 blocks from under the mower deck.

### **CAUTION**

**Avoid injury! Mower blades are sharp. Always wear gloves when handling blades or working near blades.**

7. See Figure 51. Position the outside mower blades so they face front-to-back.
8. Measure from the front tip of the blade from the cutting edge to the ground. Measure from the rear tip of the blade from the cutting edge to the ground. Repeat this process for the other side of the machine.
  - The measurement should be 4" (10,2 cm).

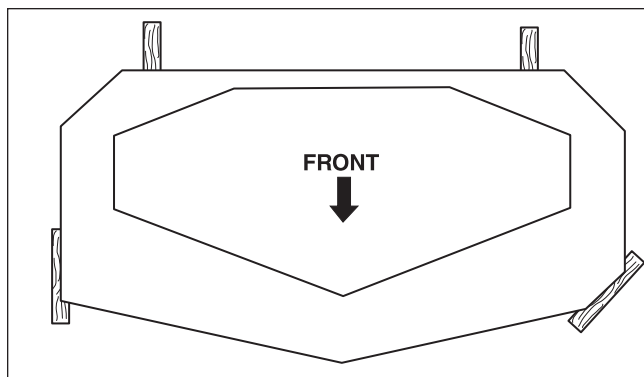


Figure 49. 2 x 4 Locations (Arrow points toward front of the deck)

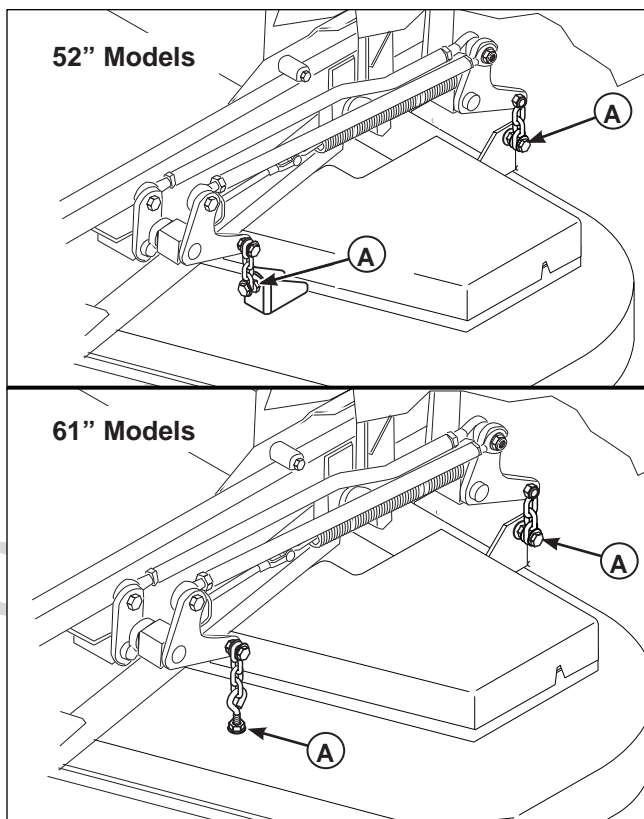


Figure 50. Hanger Chain Adjustment  
A. Adjustment Points

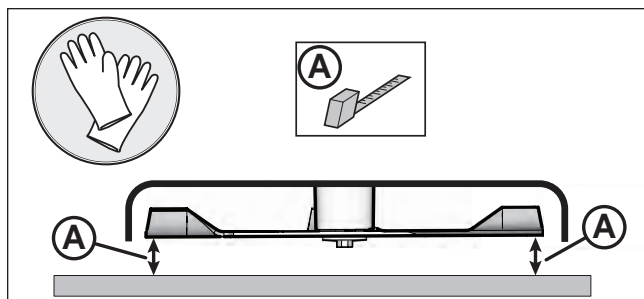


Figure 51. Checking the Blade Height Adjustment

# Troubleshooting, Adjustment & Repair

## Fine Adjustment Procedure (52" Models; 61" Models - S/N: 2016564122 & Above)

1. Loosen the jam nut (A, Figure 52) and turn the fine adjustment bolt (B) to adjust the deck height until the front measurement equals 4" (10,2 cm) and the back measurement equals 4" (10,2 cm).
  - Turn the bolt **CLOCKWISE** to raise the deck.
  - Turn the bolt **COUNTER-CLOCKWISE** to lower the deck.
2. Position the outside mower blades so that they face front-to-back.
3. Re-measure from the front tip of the blade from the cutting edge to the ground. Measure from the rear tip of the blade from the cutting edge to the ground. Repeat the process for the other side of the machine.
4. Once the front measurement equals 4" (10,2 cm) and the back measurement equals 4" (10,2 cm), re-tighten the jam nut.

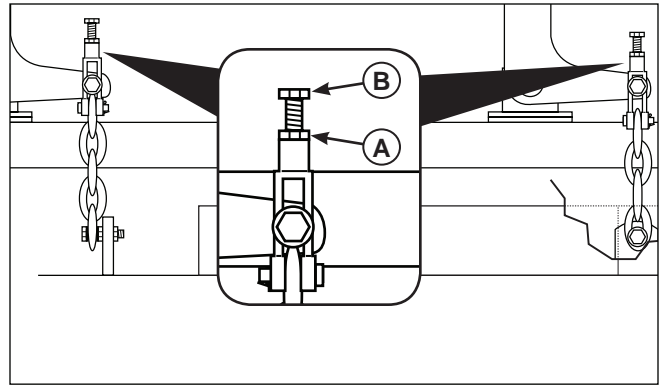


Figure 52. Fine Adjustment of the Deck Cutting Height

- A. Jam Nut  
B. Fine Adjustment Bolt

## Deck Lift Spring

The deck lift springs (A, Figure 53) are factory set to provide optimal lifting performance.

Although it is fastened with a multi-position anchor, this is **NOT AN ADJUSTMENT POINT**.

**DO NOT** attempt to adjust the spring length or lifting performance will be compromised.

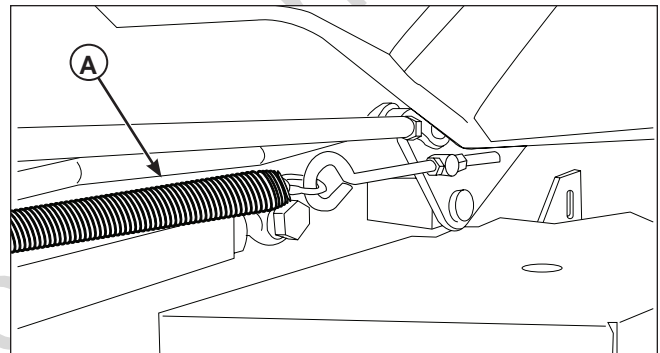


Figure 53. Deck Lift Spring Location  
A. Deck Lift Spring

## Hydraulic Pump Drive Belt Replacement



**To avoid damaging belts, DO NOT PRY BELTS OVER PULLEYS.**

1. Park the tractor on a smooth, level surface such as a concrete floor. Disengage the PTO, engage the parking brake, turn off the engine, and remove the ignition key.

### **WARNING**

Use extreme caution when rotating the idler arm with the breaker bar, due to the increased tension in the spring as the idler arm is being rotated. Injury may result if the breaker bar is prematurely released while the spring is under tension.

2. Remove the hardware (A, Figure 54) that secures the pump guard plate (B) to the frame. Remove the pump guard plate from the machine.
3. Using a 1/2" breaker bar, place the square end in the square hole located in the end of the idler arm (A, Figure 55). Carefully rotate the breaker bar **CLOCKWISE**, which will relieve the tension on the belt exerted from the idler arm.
4. Slide the drive belt over the edge of the right pump drive pulley (C). Carefully release the tension on the breaker bar.
5. Loosen and remove the two drive shaft collar bolts (A, Figure 56) from the drive shaft universal joint (B).
6. Pull the drive shaft universal away from the drive shaft spindle (D) and pivot out of the way.
7. Remove the old belt (E) and replace with a new one. Install the belt on the left pump drive pulley and the drive shaft spindle pulley. Make sure the V-side of the belt runs in the pulley grooves (Figure 55).
8. Using the two (2) drive shaft collar bolts (A) reinstall the drive shaft universal joint to the drive shaft spindle.

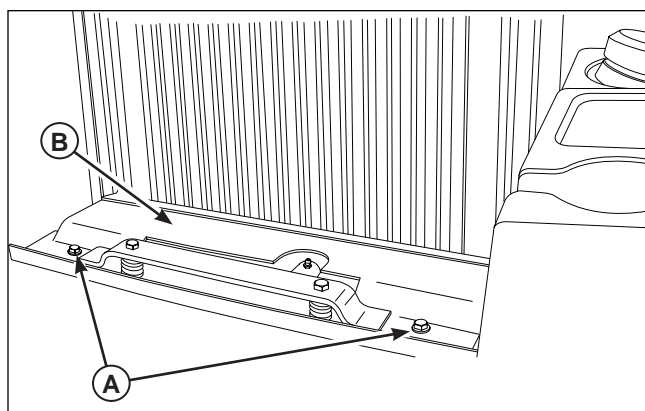


Figure 54. Remove the Pump Drive Belt Guard  
A. Hardware  
B. Pump Guard Plate

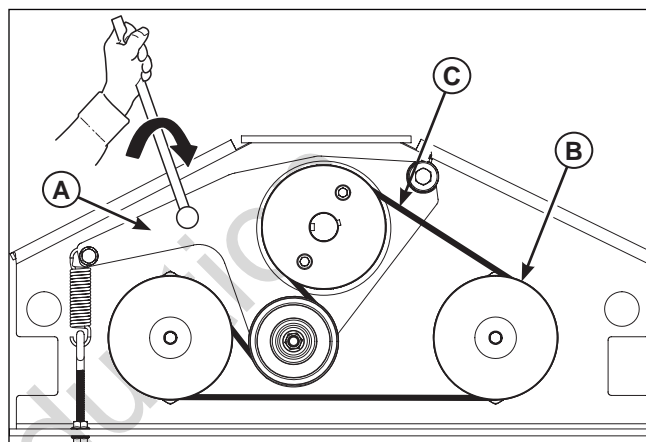


Figure 55. Removing the Tension on the Belt  
A. Idler Arm  
B. Right Pump Drive Pulley  
C. Pump Drive Belt

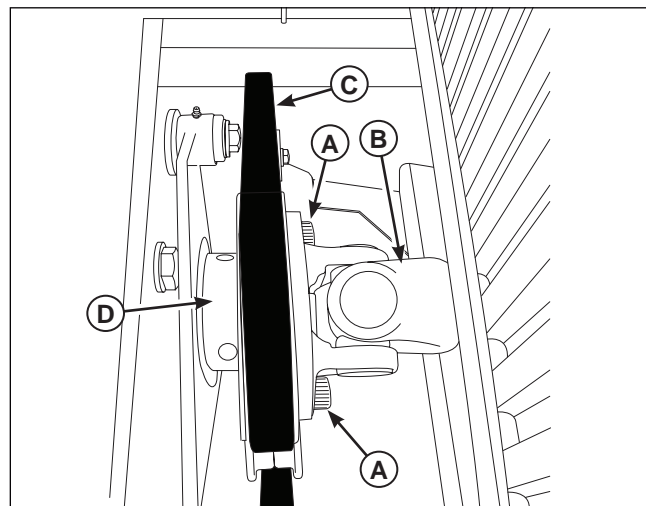


Figure 56. Removing the Spindle Shaft  
A. Drive Shaft Collar Bolts  
B. Drive Shaft Universal Joint  
C. Pump Drive Belt  
D. Drive Shaft Spindle

## Troubleshooting, Adjustment & Repair

9. Install the drive belt on the idler arm pulley and check to make sure that the V-side of the belt runs in the pulley grooves. See Figure 55.
10. Carefully rotate the breaker bar **CLOCKWISE** and install the belt on the right pump drive pulley (B, Figure 55). Carefully release the tension on the breaker bar.
11. Reinstall the pump guard plate (B, Figure 57) and secure in place using the pump plate hardware (A).
12. Run the mower under no-load condition for about 5 minutes to break-in the new belt.

### Idler Arm Spring Adjustment

1. Measure the coil length of the idler arm spring (A, Figure 57) as shown in Figure 57. The measurement should equal 3-5/16" (8,4 cm).
2. If the measurement does not equal 3-5/16" (8,4 cm) loosen the jam nut (B) and turn the nylock flange nut (C).
  - Turn the nylock flange nut **CLOCKWISE** to increase the length of the measurement.
  - Turn the nylock flange nut **COUNTER-CLOCKWISE** to decrease the length of the measurement.
3. When the coil length of the idler arm spring equals 3-5/16" (8,4 cm), retighten the jam nut.

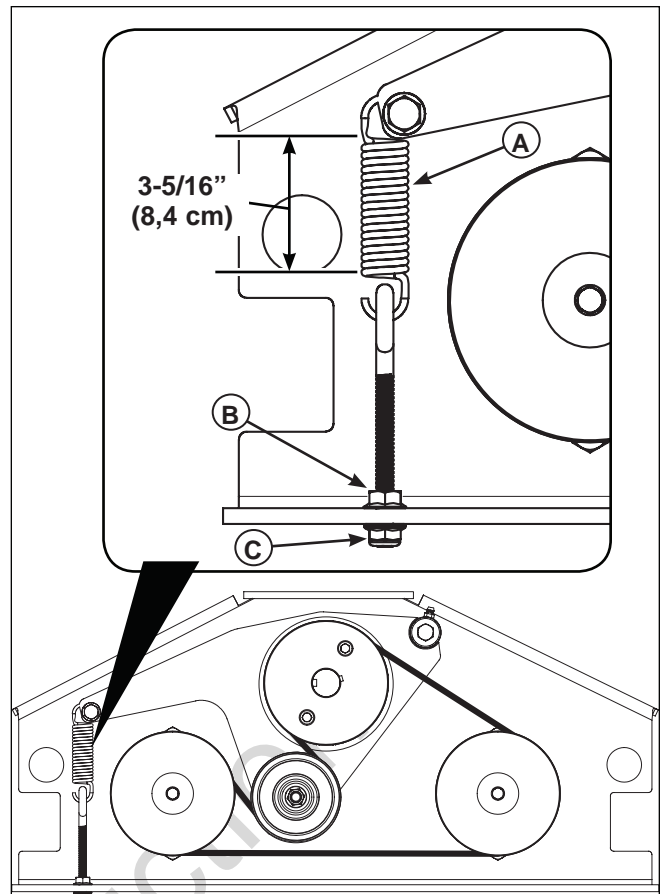


Figure 57. Idler Arm Spring Adjustment  
A. Idler Arm Spring  
B. Jam Nut  
C. Nylock Flange Nut

## PTO Clutch Belt Replacement

1. Park the tractor on a smooth, level surface such as a concrete floor. Disengage the PTO, engage the parking brake, turn off the engine, and remove the ignition key.
2. Open the hood to gain access to the PTO clutch belts (A, Figure 58) which is located on the rear of the engine.
3. Remove the PTO clutch anchor bolt (B).
4. Disconnect the PTO clutch wire harness (G).
5. Using a 1/2" breaker bar, place the square end in the square hole located in the end of the idler arm (C). Carefully rotate the breaker bar **CLOCKWISE**, which will relieve tension on the breaker bar.
6. Slide the PTO clutch belts over the edge of the gearbox pulley (D). Carefully release the tension on the breaker bar.
7. Remove the old PTO clutch belts and replaces with new ones. Make sure the V-side of the belts runs in the pulley grooves.
8. Install the new PTO clutch belts on the PTO clutch (E) and the idler pulley (F). Carefully rotate the breaker bar **CLOCKWISE** and install the pulley on the gearbox pulley (D). Carefully release the tension on the breaker bar.
9. Reinstall the PTO clutch bolt (B).
10. Reconnect the PTO clutch wire harness (G).
11. Close the hood and secure with hood latches.
12. Run the mower under no-load condition for about 5 minutes to break-in the new belt.

## Idler Arm Spring Adjustment

1. Measure the idler arm spring (A, Figure 58) as shown in Figure 58. The spring should measure 6" (15,24 cm).
2. If the measurement does not equal 6" (15,24 cm) loosen the jam nut (B) and turn the spring adjustment nut (C).
  - Turn the spring adjustment bolt **CLOCKWISE** to lengthen the spring;
  - Turn the spring adjustment bolt **COUNTER-CLOCKWISE** TO shorten the spring.
3. When the spring measurement equals 6" (15,24 cm) retighten the jam nut.

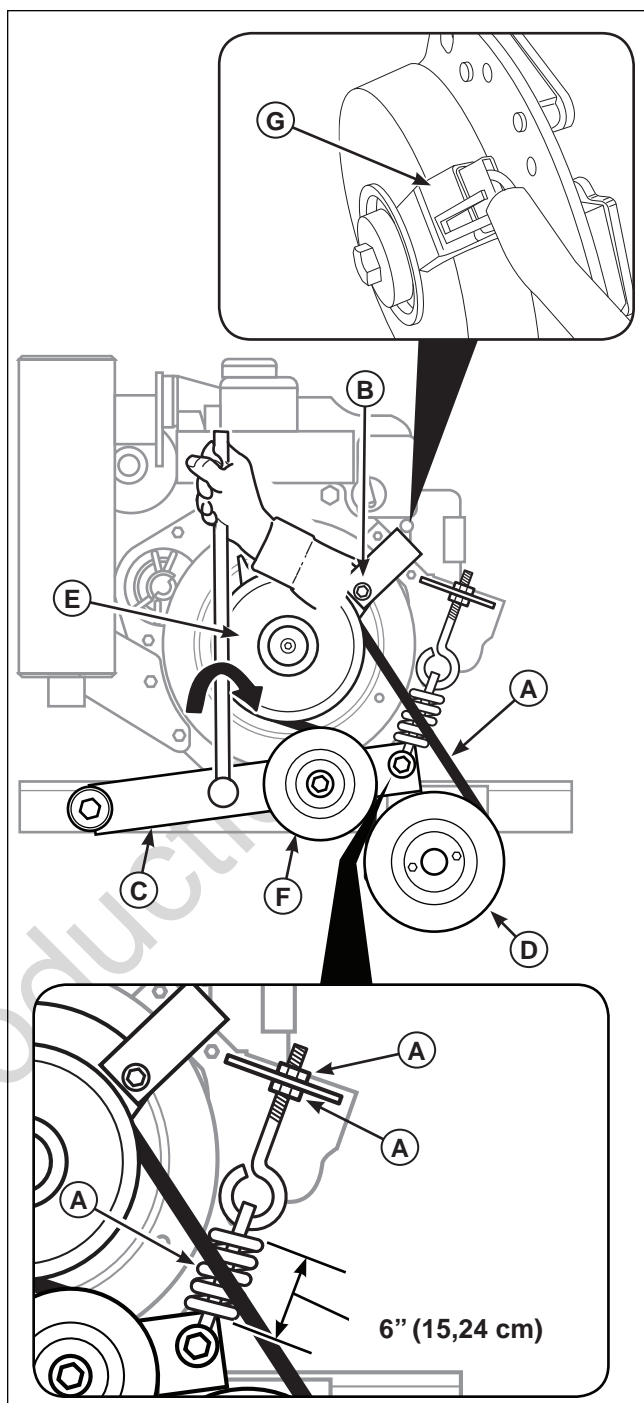


Figure 58. PTO Clutch Belt Replacement

- A. PTO Clutch Belts
- B. PTO Clutch Anchor Bolt
- C. Idler Arm
- D. Gearbox Pulley
- E. PTO Clutch
- F. Idler Pulley
- G. Wire Harness
- H. Idler Arm Spring
- I. Jam Nut
- J. Spring Adjustment Nut



# Troubleshooting, Adjustment & Repair

## Mower Belt Replacement



To avoid damaging belts, **DO NOT PRY BELTS OVER PULLEYS.**

1. Park the tractor on a smooth, level surface such as a concrete floor. Disengage the PTO, engage the parking brake, turn off the engine, and remove the ignition key.

### **WARNING**

Use extreme caution when rotating the idler arm with the breaker bar, due to the increased tension in the spring as the idler arm is being rotated. Injury may result if the breaker bar is prematurely released while the spring is under tension.

2. Using a 1/2" breaker bar, place the square end in the square hole located in the end of the idler arm (A, Figure 59). Carefully rotate the breaker bar counter-clockwise, which will relieve the tension on the belt exerted from the idler arm.
3. Slide the drive belt over the edge of the stationary idler pulley (B). Carefully release the tension on the breaker bar until the idler arm stops against the center spindle pulley.
4. Remove the old belt and replace with a new one. Make sure the V-side of the belt runs in the pulley grooves (Figure 60).
5. Install the drive belt on the PTO pulley, the spindle pulleys and all idler pulleys except the stationary pulley (B, Figure 59). Carefully rotate the breaker bar counter-clockwise and install the belt on the stationary idler pulley (B). Carefully release the tension on the breaker bar.
6. Run the mower under no-load condition for about 5 minutes to break-in the new belt.

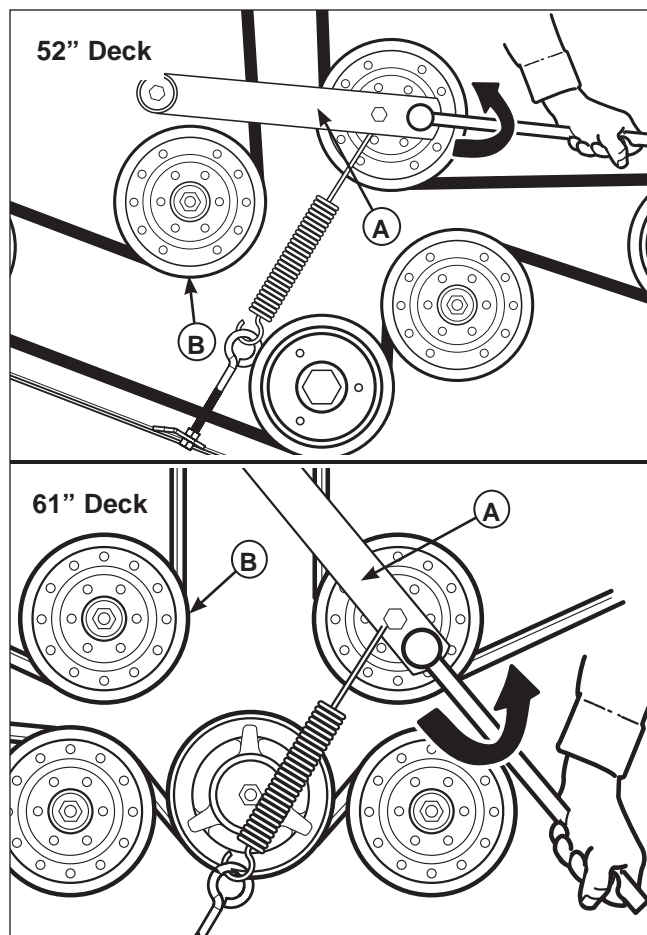


Figure 59. Mower PTO Belt

A. Idler Arm

B. Stationary Idler Pulley

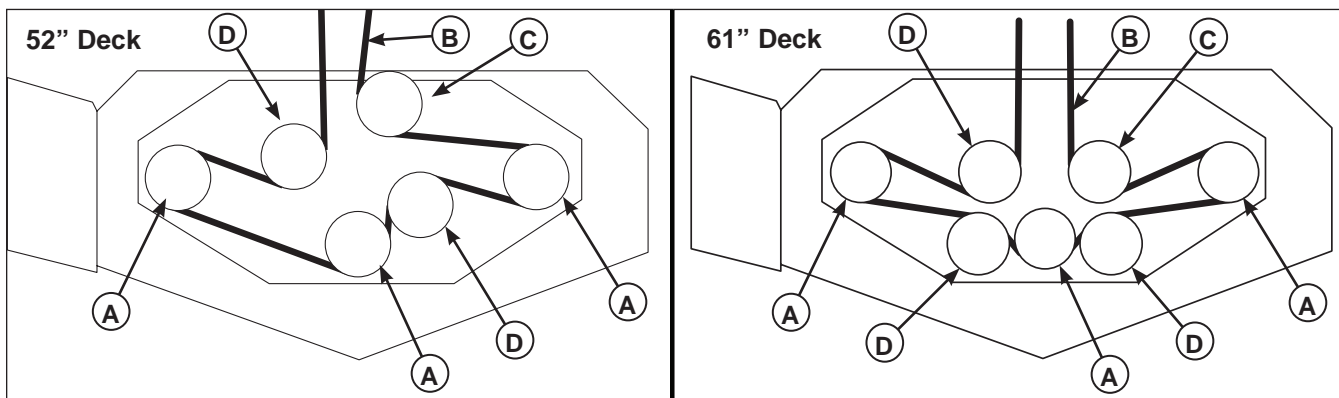


Figure 60. Mower PTO Belt Routing

A. Spindle Pulley

B. PTO Drive Belt

C. Spring-loaded Idler Pulley

D. Stationary Idler Pulley

## Check the Mower Belt Tensioner Spring Length

1. Park the machine on a smooth level surface such as a concrete floor. Disengage the PTO, engage the parking brake, turn off the engine and remove the ignition key.
2. Lower the mower deck to its lowest cutting position.
3. Measure the coil length of the mower belt tensioner spring (A, Figure 61). The measurement should equal the measurement as indicated in the chart. If the measurement does not equal the measurement as indicated in the chart, adjust the mower belt idler spring length (E).

## Adjusting the Mower Belt Idler Spring Length

1. Loosen the jam nut (C) on the anchor eyebolt (B).
2. Turn the adjustment nut (D) until the measurement as indicated in the chart is achieved.
3. Retighten the jam nut.

Mower Belt Idler Spring Length		
	inch	cm
52" Mower Deck	6-3/8	16,2
61" Mower Deck	6-3/4	17,1

## Deck Shut Down Module

This unit is equipped with a deck shut down module that will automatically shut down the mower deck if the engine loses oil pressure or begins to overheat.

### What to do if the deck shuts down during operation:

- Immediately check your dash panel to see if the oil pressure indicator lamp (A, Figure 62) is lit or the water temperature gauge (B) is reading a high temperature.

### If the oil pressure indicator lamp is lit:

- Shut the unit off immediately and see your dealer.

### If the water temperature gauge reads a high temperature:

- Move the ground speed control levers to the neutral position, disengage the PTO switch, engage the parking brake and reduce to half throttle speed. Leave the engine running so the radiator fan will continue to run and coolant will continue to circulate.
- Check the engine coolant level. See *Check Engine Coolant Level*. Add coolant if necessary.
- Check to see if the radiator screen is dirty or plugged. See *Clean Radiator & Screen*. Clean radiator screen if necessary.

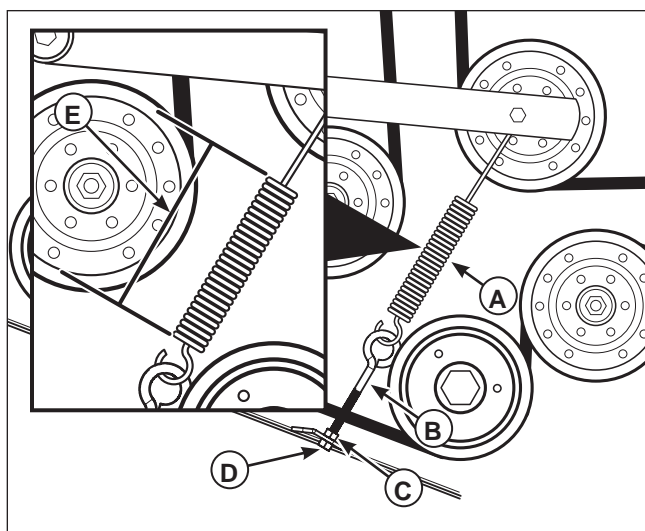


Figure 61. Mower Belt Idler Spring Length

- A. Mower Belt Tensioner Spring
- B. Anchor Eyebolt
- C. Jam Nut
- D. Adjustment Nut
- E. Measurement

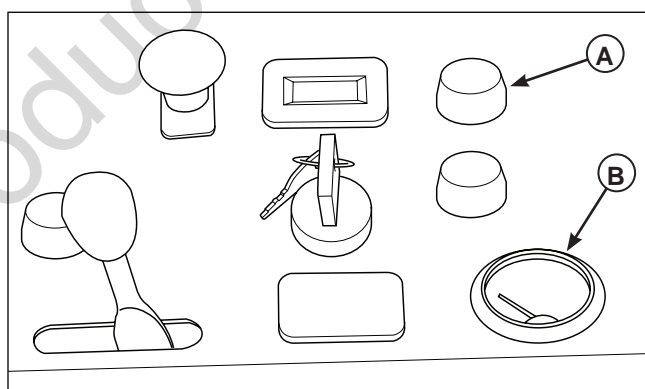


Figure 62. Deck Shut Down Module

- A. Oil Pressure Indicator Lamp
- B. Water Temperature Gauge

- If these procedures do not cause the engine to begin to cool down, shut the unit off and see your dealer.

### After the Problem has been resolved:

- The PTO switch must be disengaged before it can be re-engaged.

## Battery Service

### **WARNING**

Keep open flames and sparks away from the battery; the gasses coming from it are highly explosive. Ventilate the battery well during charging.

### Checking Battery Voltage

A voltmeter can be used to determine condition of battery. When engine is off, the voltmeter shows battery voltage, which should be 12 volts. When engine is running, the voltmeter shows voltage of charging circuit which normally is 13 to 14 volts.

A dead battery or one too weak to start the engine may not mean the battery needs to be replaced. For example, it may mean that the alternator is not charging the battery properly. If there is any doubt about the cause of the problem, see your dealer. If you need to replace the battery, follow the steps under Cleaning the Battery & Cables in the Regular Maintenance Section.

### Charging a Completely Discharged Battery

1. Be aware of all the safety precautions you should observe during the charging operation. If you are unfamiliar with the use of a battery charger and hydrometer, have the battery serviced by your dealer.
2. Add distilled water sufficient to cover the plate (fill to the proper level near the end of the charge). If the battery is extremely cold, allow it to warm before adding water because the water level will rise as it warms. Also, an extremely cold battery will not accept a normal charge until it becomes warm.
3. Always unplug or turn the charger off before attaching or removing the clamp connections.
4. Carefully attach the clamps to the battery in proper polarity (usually red to [+] positive and black to [-] negative).
5. While charging, periodically measure the temperature of the electrolyte. If the temperature exceeds 125° F (51.6° C), or if violent gassing or spewing of electrolyte occurs, the charging rate must be reduced or temporarily halted to prevent battery damage.
6. Charge the battery until fully charged (until the specific gravity of the electrolyte is 1.250 or higher and the electrolyte temperature is at least 60° F). The best method of making certain a battery is fully charged, but not over charged, is to measure the specific gravity of a cell once per hour. The battery is fully charged when the cells are gassing

freely at low charging rate and less than 0.003 change in specific gravity occurs over a three hour period.

### Jump Starting With Auxiliary (Booster) Battery

Jump starting is not recommended. However, if it must be done, follow these directions. Both booster and dis-charged batteries should be treated carefully when using jumper cables. Follow the steps below EXACTLY, being careful not to cause sparks. Refer to Figure 63.

1. Both batteries must be of the same voltage.
2. Position the vehicle with the booster battery adjacent to the vehicle with the discharged battery so that booster cables can be connected easily to the batteries in both vehicles. Make certain vehicles do not touch each other.
3. Wear safety glasses and shield eyes and face from batteries at all times. Be sure vent caps are tight. Place damp cloth over vent caps on both batteries.
4. Connect positive (+) cable to positive post of discharged battery (wired to starter or solenoid).
5. Connect the other end of same cable to same post marked positive (+) on booster battery.
6. Connect the second cable negative (-) to other post of booster battery.
7. Make final connection on engine block of stalled vehicle away from battery. Do not lean over batteries.
8. Start the engine of the vehicle with the booster battery. Wait a few minutes, then attempt to start the engine of the vehicle with the discharged battery.
9. If the vehicle does not start after cranking for thirty seconds, STOP PROCEDURE. More than thirty seconds seldom starts the engine unless some mechanical adjustment is made.
10. After starting, allow the engine to return to idle speed. Remove the cable connection at the engine or frame. Then remove the other end of the same cable from the booster battery.
11. Remove the other cable by disconnecting at the discharged battery first and then disconnect the opposite end from the booster battery.
12. Discard the damp cloths that were placed over the battery vent caps.

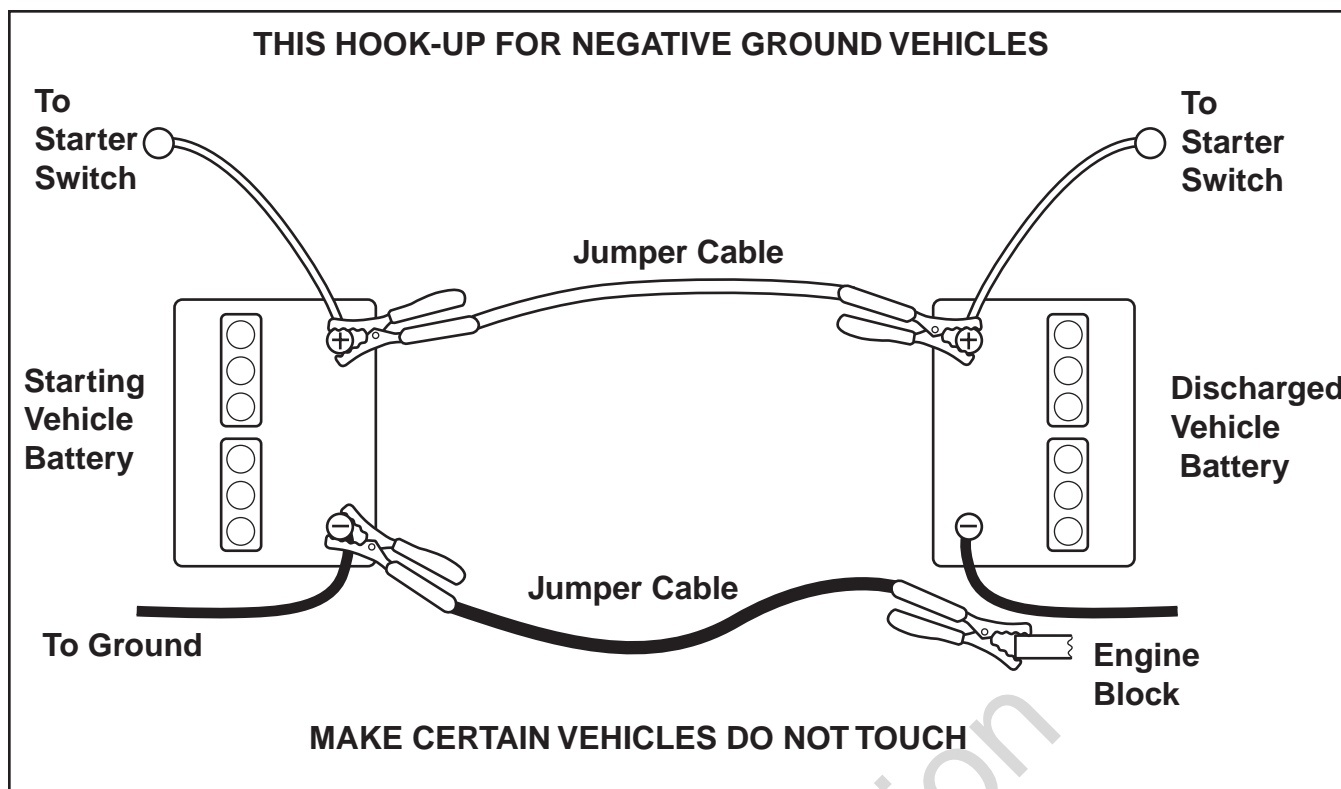


Figure 63. Jump Starting

## **⚠ WARNING**

Any procedure other than the preceding could result in:

- (1) personal injury caused by electrolyte squirting out the battery vents,
- (2) personal injury or property damage due to battery explosion,
- (3) damage to the charging system of the booster vehicle or of the immobilized vehicle.

Do not attempt to jump start a vehicle having a frozen battery because the battery may rupture or explode. If a frozen battery is suspected, examine all fill vents on the battery. If ice can be seen or if the electrolyte fluid cannot be seen, do not attempt to start with jumper cables as long as the battery remains frozen.

## **⚠ WARNING**

For your personal safety, use extreme care when jump starting. Never expose battery to open flame or electric spark – battery action generates hydrogen gas which is flammable and explosive. Do not allow battery acid to contact skin, eyes, fabrics, or painted surfaces. Batteries contain a sulfuric acid solution which can cause serious personal injury or property damage.

When removing or installing battery cables, disconnect the negative cable **FIRST** and reconnect it **LAST**. If not done in this order, the positive terminal can be shorted to the frame by a tool.

To avoid engine damage, do not disconnect battery while engine is running. Be sure terminal connections are tight before starting.

# Specifications

## Specifications

NOTE: Specifications are correct at time of printing and are subject to change without notice.

### ENGINE:

#### 20 Gross HP<sup>1</sup> Yanmar

<b>Make</b>	Yanmar
<b>Model</b>	3TNM68-AFS
<b>Displacement</b>	47.84 Cu. in (784 cc)
<b>Electrical System</b>	12 Volt, 40 amp. Alternator, Battery: 500 CCA
<b>Oil Capacity</b>	3.7 US Qt. (3.5 L)

#### 24 Gross HP<sup>1</sup> Yanmar

<b>Make</b>	Yanmar
<b>Model</b>	3TNM72-Axx
<b>Displacement</b>	55.2 Cu. in (905 cc)
<b>Electrical System</b>	12 Volt, 40 amp. Alternator, Battery: 500 CCA
<b>Oil Capacity</b>	3.3 US Qt. (3,1 L)

<sup>1</sup>Power Ratings: Actual sustained equipment horsepower will likely be lower due to operating limitations and environmental factors.

### CHASSIS:

<b>Fuel Tank</b>	Capacity: 11 Gallons (41.6 L) Total
<b>Rear Wheels</b>	<b>52" Deck:</b> Tire Size: 22 x 10.00 - 10 <b>61" Deck - S/N: 2016564121 &amp; Below:</b> Tire Size: 22 x 11.00 - 10 <b>61" Deck - S/N: 2016564122 &amp; Above:</b> Tire Size: 23 x 10.50 - 12 Inflation Pressure: 18 psi (1,24 bar)
<b>Front Wheels</b>	Tire Size: 13 x 5.00 - 6 Inflation Pressure: 25 psi (1,72 bar)

### TRANSMISSIONS:

#### (S/N: 2014390038 & Below):

LH	Hydro-Gear HGM-18E-3056 (5022975L) Hydro-Gear PK 3HBQ-FV1F-XXXX (5102174)
RH	Hydro-Gear HGM-18E-3052 (5022975R) Hydro-Gear PK 3KBQ-FV1F-XXXX (5102175)

#### (S/N: 2014390039 & Above):

LH	Parker TF0240LS080AAKZ (5102682) Hydro-Gear PK 3HBQ-FV1F-XXXX (5102174)
RH	Parker TF0240LS081AAKZ (5102681) Hydro-Gear PK 3KBQ-FV1F-XXXX (5102175)

<b>Type</b>	Pump and Wheel Motor
<b>Hydraulic Fluid</b>	Mobil 1™ 15W-50 synthetic oil or Castrol Syntec™ 5W-50 oil
<b>Speeds</b>	Forward: 0-10 MPH (0-16.09 km/h)
<b>@ 3400 rpm</b>	Reverse: 0-5 MPH (0-8.05 km/h)

### DIMENSIONS:

<b>Overall Length</b>	83" (211 cm)
<b>Overall Width</b>	65" (165 cm) - 52" Deck 72" (183 cm) - 61" Deck
<b>Height</b>	<b>S/N: 2016564121 &amp; Below:</b> 70" (178 cm) with Roll Bar Up 59" (150 cm) with Roll Bar Down <b>S/N: 2016564122 &amp; Above:</b> 70.5" (179 cm) with Roll Bar Up 59.5" (151 cm) with Roll Bar Down
<b>Weight (apx..)</b>	
<b>With 52" Mower Deck</b>	1507 lbs. (684 kg)
<b>With 61" Mower Deck</b>	1567 lbs. (710 kg)



# Notes

Not for  
Reproduction



Not for  
Reproduction

**LIMITED WARRANTY**

Briggs & Stratton warrants that, during the warranty period specified below, it will repair or replace, free of charge, any part that is defective in material or workmanship or both. Transportation charges on product submitted for repair or replacement under this warranty must be borne by purchaser. This warranty is effective for and is subject to the time periods and conditions stated below. For warranty service, find the nearest Authorized Service Dealer in our dealer locator map at [WWW.FERRISINDUSTRIES.COM](http://WWW.FERRISINDUSTRIES.COM). The purchaser must contact the Authorized Service Dealer, and then make the product available to the Authorized Service Dealer for inspection and testing.

**There is no other express warranty. Implied warranties, including those of merchantability and fitness for a particular purpose, are limited to one year from purchase, or to the extent permitted by law. All other implied warranties are excluded. Liability for incidental or consequential damages are excluded to the extent exclusion is permitted by law.** Some states or countries do not allow limitations on how long an implied warranty lasts, and some states or countries do not allow the exclusion or limitation of incidental or consequential damages, so the above limitation and exclusion may not apply to you. This warranty gives you specific legal rights and you may also have other rights which vary from state to state or country to country.\*\*

**WARRANTY PERIOD**

Covered Parts	Standard Warranty Period	Rental Warranty Period
Riding mowers	4 years (48 months) or 500 hours, whichever occurs first. Unlimited hours during the first 2 years (24 months) (+Except as noted below)	90 days
Walk mowers (over 30 inches of cutting width)	2 years (24 months) unlimited hours (+Except as noted below)	90 days
+Belts, Tires, Brake Pads, Hoses, Battery, Blades	90 days	90 days
+Attachments	1 year	90 days
+Engine*	See Engine Operator's Manual	See Engine Operator's Manual

\* Emissions-related components are covered by the Emissions Warranty Statement.

\*\* In Australia - Our goods come with guarantees that cannot be excluded under the Australian Consumer Law. You are entitled to a replacement or refund for a major failure and for compensation for any other reasonably foreseeable loss or damage. You are also entitled to have the goods repaired or replaced if the goods fail to be of acceptable quality and the failure does not amount to a major failure. For warranty service, find the nearest Authorized Service Dealer in our dealer locator map at [FERRISINDUSTRIES.COM/AU](http://FERRISINDUSTRIES.COM/AU), or by calling 1300 274 447, or by emailing or writing to [salesenquires@briggsandstratton.com.au](mailto:salesenquires@briggsandstratton.com.au), Briggs & Stratton Australia Pty Ltd, 1 Moorebank Avenue, NSW, Australia, 2170.

The warranty period begins on the date of purchase by the first retail end user, and continues for the period of time or hours stated in the table above.

**No warranty registration is necessary to obtain warranty on Briggs & Stratton products. Save your proof of purchase receipt. If you do not provide proof of the initial purchase date at the time warranty service is requested, the manufacturing date of the product will be used to determine the warranty period.**

**ABOUT YOUR WARRANTY**

We welcome warranty repair and apologize to you for being inconvenienced. Warranty service is available only through *FERRIS* Authorized Service Dealers. Most warranty repairs are handled routinely, but sometimes requests for warranty service may not be appropriate. This warranty only covers defects in materials or workmanship. It does not cover damage caused by improper use or abuse, improper maintenance or repair, normal wear and tear, or stale or unapproved fuel.

**Improper Use and Abuse** - The proper, intended use of this product is described in the Operator's Manual. Using the product in a way not described in the Operator's Manual or using the product after it has been damaged will void your warranty. Warranty is not allowed if the serial number on the product has been removed or the product has been altered or modified in any way, or if the product has evidence of abuse such as impact damage, or water/chemical corrosion damage.

**Improper Maintenance or Repair** - This product must be maintained according to the procedures and schedules provided in the Operator's Manual, and serviced or repaired using genuine Briggs & Stratton parts or equivalent. Damage caused by lack of maintenance or use of non-original parts is not covered by warranty.

**Normal Wear** - Like all mechanical devices, your unit is subject to wear even when properly maintained. This warranty does not cover repairs when normal use has exhausted the life of a part or the equipment. Except as noted in the warranty period, maintenance and wear items such as filters, belts, cutting blades, and brake pads (except engine brake pads) are not covered by warranty due to wear characteristics alone, unless the cause is due to defects in material or workmanship.

**Stale Fuel** - In order to function correctly, this product requires fresh fuel that conforms to the criteria specified in the Operator's Manual. Damage caused by stale fuel (carburetor leaks, clogged fuel tubes, sticking valves, etc) is not covered by warranty.

**Other Exclusions** - This warranty excludes damage due to accident, abuse, modifications, alterations, improper servicing, freezing or chemical deterioration. Attachments or accessories that were not originally packaged with the product are also excluded. There is no warranty coverage on equipment used for primary power in place of utility power or on equipment used in life support applications. This warranty also excludes failures due to acts of God and other force majeure events beyond the manufacturer's control.

The California Air Resources Board, U.S. EPA, and Briggs & Stratton (B&S) are pleased to explain the emissions control system warranty on your Model Year 2012–2013 engine/equipment. In California, new small off-road engines and large spark ignited engines less than or equal to 1.0 liter must be designed, built, and equipped to meet the State's stringent anti-smog standards. B&S must warrant the emissions control system on your engine/equipment for the periods of time listed below provided there has been no abuse, neglect, or improper maintenance of your engine or equipment.

Your emissions control system may include parts such as the carburetor or fuel injection system, fuel tank, ignition system, and catalytic converter. Also included may be hoses, belts, connectors, sensors, and other emissions-related assemblies.

Where a warrantable condition exists, B&S will repair your engine/equipment at no cost to you including diagnosis, parts, and labor.

#### Manufacturer's Warranty Coverage:

Small off-road engines and large spark ignited engines less than or equal to 1.0 liter, and any related emissions components of the equipment, are warranted for two years\*. If any emissions-related part on your B&S engine/equipment is defective, the part will be repaired or replaced by B&S.

\* Two years or for the time period listed in the respective engine or product warranty statement, whichever is greater.

#### Owner's Warranty Responsibilities:

- As the engine/equipment owner, you are responsible for the performance of the required maintenance listed in your owner's manual. B&S recommends that you retain all receipts covering maintenance on your engine/equipment, but B&S cannot deny warranty solely for the lack of receipts or your failure to ensure the performance of all scheduled maintenance.
- As the engine/equipment owner, you should however be aware that B&S may deny you warranty coverage if your engine/equipment or a part has failed due to abuse, neglect, improper maintenance, or unapproved modifications.
- You are responsible for presenting your engine/equipment to a B&S distribution center, servicing dealer, or other equivalent entity, as applicable, as soon as a problem exists. The warranty repairs should be completed in a reasonable amount of time, not to exceed 30 days. If you have any questions regarding your warranty rights and responsibilities, you should contact B&S at (414) 259-5262.

### Briggs & Stratton Emissions Control Warranty Provisions

The following are specific provisions relative to your Emissions Control Warranty Coverage. It is in addition to the B&S engine warranty for non-regulated engines found in the Operator's Manual.

#### 1. Warranted Emissions Parts

Coverage under this warranty extends only to the parts listed below (the emissions control systems parts) to the extent these parts were present on the B&S engine and/or B&S supplied fuel system.

##### a. Fuel Metering System

- Cold start enrichment system (soft choke)
- Carburetor and internal parts
- Fuel pump
- Fuel line, fuel line fittings, clamps
- Fuel tank, cap and tether
- Carbon canister

##### b. Air Induction System

- Air cleaner
- Intake manifold
- Purge and vent line

##### c. Ignition System

- Spark plug(s)
- Magneto ignition system

##### d. Catalyst System

- Catalytic converter
- Exhaust manifold
- Air injection system or pulse valve

##### e. Miscellaneous Items Used in Above Systems

- Vacuum, temperature, position, time sensitive valves and switches
- Connectors and assemblies

#### 2. Length of Coverage

For a period of two years from date of original purchase, B&S warrants to the original purchaser and each subsequent purchaser that the engine is designed, built, and equipped so as to conform with all applicable regulations adopted by the Air Resources Board; that it is free from defects in material and workmanship that could cause the failure of a warranted part; and that it is identical in all material respects to the engine described in the manufacturer's application for certification. The warranty period begins on the date the engine is originally purchased.

The warranty on emissions-related parts is as follows:

- Any warranted part that is not scheduled for replacement as required maintenance in the owner's manual supplied, is warranted for the warranty period stated above. If any such part fails during the period of warranty coverage, the part will be repaired or replaced by B&S at no charge to the owner. Any such part repaired or replaced under the warranty will be warranted for the remaining warranty period.
- Any warranted part that is scheduled only for regular inspection in the owner's manual supplied, is warranted for the warranty period stated above. Any such part repaired or replaced under warranty will be warranted for the remaining warranty period.
- Any warranted part that is scheduled for replacement as required maintenance in the owner's manual supplied, is warranted for the period of time prior to the first scheduled replacement point for that part. If the part fails prior to the first scheduled replacement, the part will be repaired or replaced by B&S at no charge to the owner. Any such part repaired or replaced under warranty will be warranted for the remainder of the period prior to the first scheduled replacement point for the part.
- Add on or modified parts that are not exempted by the Air Resources Board may not be used. The use of any non exempted add on or modified parts by the owner will be grounds for disallowing a warranty claim. The manufacturer will not be liable to warrant failures of warranted parts caused by the use of a non exempted add on or modified part.

#### 3. Consequential Coverage

Coverage shall extend to the failure of any engine components caused by the failure of any warranted emissions parts.

#### 4. Claims and Coverage Exclusions

Warranty claims shall be filed according to the provisions of the B&S engine warranty policy. Warranty coverage does not apply to failures of emissions parts that are not original equipment B&S parts or to parts that fail due to abuse, neglect, or improper maintenance as set forth in the B&S engine warranty policy. B&S is not liable for warranty coverage of failures of emissions parts caused by the use of add-on or modified parts.

### Look For Relevant Emissions Durability Period and Air Index Information On Your Small Off-Road Engine Emissions Label

Engines that are certified to meet the California Air Resources Board (CARB) small off-road Emissions Standard must display information regarding the Emissions Durability Period and the Air Index. Briggs & Stratton makes this information available to the consumer on our emissions labels. The engine emissions label will indicate certification information.

The **Emissions Durability Period** describes the number of hours of actual running time for which the engine is certified to be emissions compliant, assuming proper maintenance in accordance with the Operating & Maintenance Instructions. The following categories are used:

#### Moderate:

Engine is certified to be emissions compliant for 125 hours of actual engine running time.

#### Intermediate:

Engine is certified to be emissions compliant for 250 hours of actual engine running time.

#### Extended:

Engine is certified to be emissions compliant for 500 hours of actual engine running time. For example, a typical walk-behind lawn mower is used 20 to 25 hours per year.

Therefore, the **Emissions Durability Period** of an engine with an **intermediate** rating would equate to 10 to 12 years.

Briggs & Stratton engines are certified to meet the United States Environmental Protection Agency (USEPA) Phase 2 or Phase 3 emissions standards. The Emissions Compliance Period referred to on the Emissions Compliance label indicates the number of operating hours for which the engine has been shown to meet Federal emissions requirements.

For engines less than 225 cc displacement.

Category C = 125 hours, Category B = 250 hours, Category A = 500 hours

For engines of 225 cc or more displacement.

Category C = 250 hours, Category B = 500 hours, Category A = 1000 hours





# ***OPERATOR'S MANUAL***

***IS2500Z Series  
Zero-Turn Riding Mower***

**BRIGGS & STRATTON POWER PRODUCTS GROUP, LLC**  
5375 NORTH MAIN STREET  
MUNNSVILLE NY 13409  
800 933 6175

## Free Manuals Download Website

<http://myh66.com>

<http://usermanuals.us>

<http://www.somanuals.com>

<http://www.4manuals.cc>

<http://www.manual-lib.com>

<http://www.404manual.com>

<http://www.luxmanual.com>

<http://aubethermostatmanual.com>

Golf course search by state

<http://golfingnear.com>

Email search by domain

<http://emailbydomain.com>

Auto manuals search

<http://auto.somanuals.com>

TV manuals search

<http://tv.somanuals.com>