

Supplemental Setup and Operating Instructions and Illustrated Parts Lists for Ferris Zero-Turn Riding Mowers Using Propane Fuel



Model	Description
5900690	IS3100ZBVP3261, Zero-Turn Riding Mower w/ Propane Fuel
5900691	IS3100ZBVP32, Zero-Turn Riding Mower w/ Propane Fuel
5900789	IS3100ZBVP3261, Zero-Turn Riding Mower w/ Propane Fuel & 16cc Pumps
5900790	IS3100ZBVP32, Zero-Turn Riding Mower w/ Propane Fuel & 16cc Pumps
5900942	IS3100ZBVP3261HT, Zero-Turn Riding Mower w/ Propane Fuel & 16cc Pumps

Briggs & Stratton Power Products Group, LLC.
5375 N. Main Street
Munnsville, NY 13409-4003

5404081
Rev U

This manual is intended to supplement the operator’s manual included with your machine. There is very important safety, operational and maintenance information in this manual. Read and understand all information in your operator’s manual and this supplement manual before attempting to operate this machine. **Save these original instructions for future reference.**

Table of Contents

Operator Safety	1
Propane Mower Operating Procedures.....	1
Propane Fuel Tank Filling Procedures	1
Procedures for Safe Handling of Propane.....	1
Features & Controls	2
Control Functions	2
Operation	4
Checks Before Starting	4
Starting the Engine	4
Stopping the Rider	4
Regular Maintenance	4
Removing the Propane Tanks	4
Re-installing the Propane Tanks	5
Initial Fill of a New Propane Tank.....	5
Excess Flow Valve	5
Leak Testing the Fuel System.....	6
Specifications	7
Seguridad del Operador	9
Funciones y Controles	10
Operación	12
Mantenimiento Regular	13
Especificaciones	15
Illustrated Parts Lists	16
Tank Mount Group	16
Instrument Control Panel Group.....	18
Fuel Supply Group	20
Electrical Schematics	
Charging Circuit	24
Cranking Circuit.....	25
Ignition Grounding Circuit / Operator	
Presence	26
PTO Clutch Circuit	27

NOTE: In this manual, “left” and “right” are referred to as seen from the operating position.

Briggs & Stratton Power Products Group, LLC.
 Copyright © 2012 Briggs & Stratton Corporation
 Milwaukee, WI, USA. All rights reserved.

FERRIS is a trademark of Briggs & Stratton Corporation
 Milwaukee, WI, USA.

Contact Information:

Briggs & Stratton Power Products Group, LLC.
 5375 N. Main St.
 Munnsville, NY 13409-4003
 (800) 933-6175
www.ferrisindustries.com

Spanish

ES

English

GB

Operator Safety

WARNING

Avoid serious injury or death from operating a mower using propane fuel. Follow mower operating procedures, propane fuel and propane fuel tank filling procedures.

MOWER OPERATING PROCEDURES USING PROPANE FUEL

Background

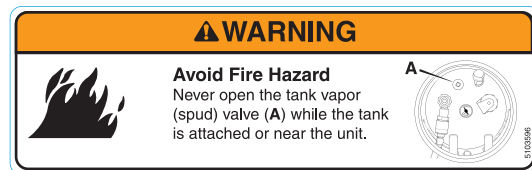
- Ferris propane mowers are designed to operate on a propane vapor system, which draws vapor from the fuel tank. It is not compatible with the typical propane fork truck system that operate on propane liquid drawn from the fuel tank.
- The fuel system is designed with a left hand thread on the fuel hose and tank connections intended to prevent use of a liquid propane tank (using right hand threads). The mower will NOT function correctly with a liquid propane fuel tank.

Operation

- Turn propane OFF at the fuel tank shut-off valve at the end of each day, before changing fuel tanks and/or transporting.
- Operate the mower on one propane tank at a time. Keep the fuel tank shut-off valve on the opposite side tank turned off.
- CLOSE the fuel tank shut-off valve on the propane tank immediately if you smell raw propane. DO NOT attempt to start engine until the problem has been identified and repaired.
- Avoid fire hazard. Never open the tank vapor (spud) valve while the tank is attached or near the unit.

Service

- Do NOT bleed propane fuel indoors, in an enclosed trailer, garage or other enclosed areas. Propane is under pressure and highly flammable.
- Do NOT alter or adjust the propane fuel system in any way.
- Store propane fuel tanks only in OUTSIDE areas away from electric or gas appliances and any possible source of spark, heat or heavy equipment. The storage facility should be constructed and located in compliance with local, state, federal or provincial jurisdictional safety codes.
- Use ONLY a D.O.T. rated propane fuel tank. See your Ferris dealer to obtain extra tanks.
- Regularly check the flexible supply line. Make sure that they are in good condition. Replace damaged or leaking components.



P/N: 5103596


Decal, Warning, Vapor Valve

PROPANE FUEL TANK FILLING PROCEDURES

- A propane fuel tank is a cylinder designed to contain a liquefied petroleum gas (propane) under pressure that is highly flammable. Filling, operating and servicing of this cylinder (tank) must be conducted at an approved propane dealer by persons properly trained and qualified in accordance with local, state, federal and provincial jurisdictional requirements.
- Do not overfill the propane tank. Fill at an approved propane dealer following the procedures and specifications on the tank.
- A new propane tank that has never been filled with propane requires special procedures to properly purge the tank of air and fill for the first time. Refer to the instructions on the propane tank and fill only at an approved propane dealer following the procedures and specifications on the tank.

WARNING

 Propane vapors are extremely flammable and explosive.

 Fire or explosion can cause severe burns or death.

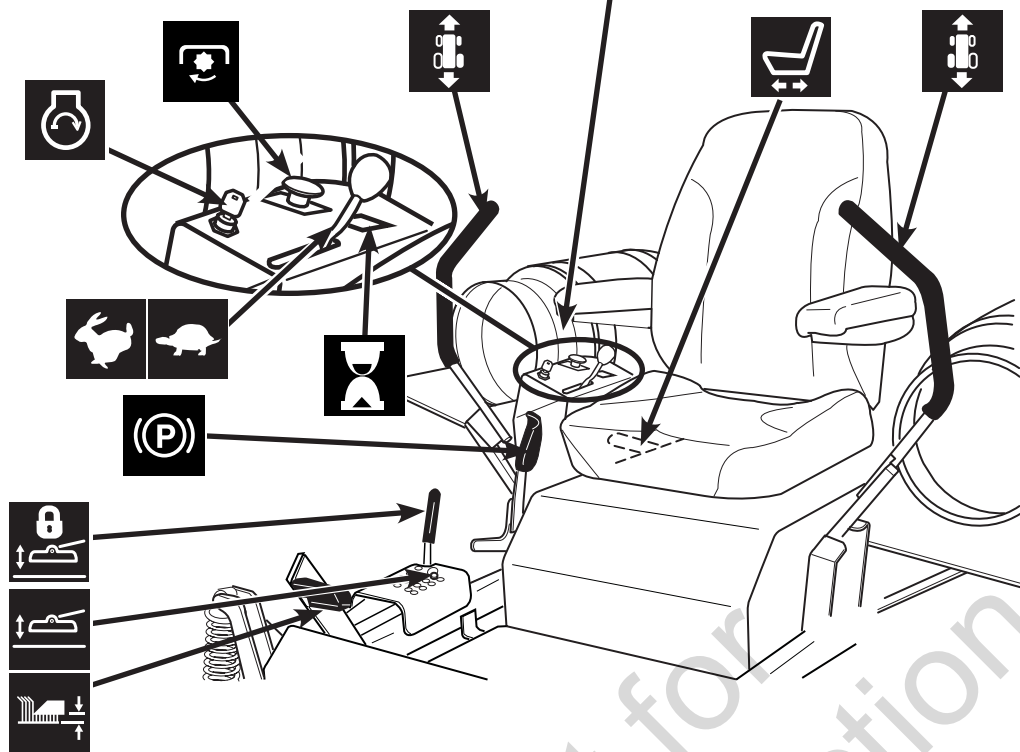
 Frostbite can result from skin / eye contact contact with leaking propane (LP) fluid.

PROCEDURES FOR SAFE HANDLING OF PROPANE

- If there is a propane (LP) gas leakage in the area, do not attempt to start engine.
- To protect yourself from the risk of frostbite from a potential propane (LP) fluid leak, always wear protective clothing when working on the propane system.

Features & Controls

Instrument Control Panel
(S/N: 2014953656 & Below)



CONTROL FUNCTIONS

The information below briefly describes the function of individual controls. Starting, stopping, driving, and mowing require the combined use of several controls applied in specific sequences. To learn what combination and sequence of controls to use for various tasks see the OPERATION section.

Ground Speed Control Levers

These levers control the ground speed of the rider. The left lever controls the left rear drive wheel and the right controls the right rear drive wheel.

Moving a lever forward increases the FORWARD speed of the associated wheel, and pulling back on a lever increases the REVERSE speed.

Note: The further a lever is moved away from the neutral position the faster the drive wheel will turn.

See the Operation section for steering instructions.

PTO (Power Take Off) Switch

The PTO switch engages and disengages the mower. Pull UP on the switch to engage the mower, and push DOWN to disengage the mower.

Throttle Control




Moving the throttle control fully forward is FULL throttle position. Always operate the unit at FULL throttle when mowing.

Seat Adjustment Lever

The seat can be adjusted forward and back. Move the lever forward, position the seat as desired, and release the lever to lock the seat in position.



Ignition Switch

The ignition switch starts and stops the engine, it has three positions:

-  OFF Stops the engine and shuts off the electrical system.
-  RUN Allows the engine to run and powers the electrical system.
-  START Cranks the engine for starting.

NOTE: Never leave the ignition switch in the RUN position with the engine stopped—this drains the battery.

Parking Brake

	DISENGAGE	Releases the parking brake.
	ENGAGE	Locks the parking brake.

Pull the parking brake lever back to engage the parking brake. Move the lever fully forward to disengage the parking brake. **NOTE: To start the unit the parking brake must be engaged.**

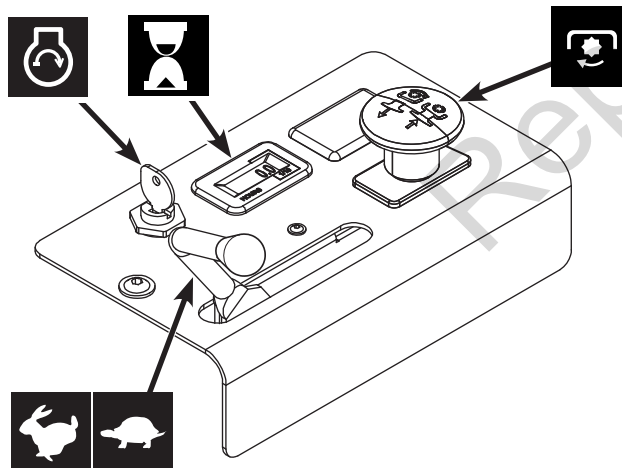
Deck Lift Pedal, Cutting Height Adjustment Pin & Deck Lift Lock Lever

These control the cutting height of the mower deck. Depress the pedal until it locks into the 5" (12,7cm) position. Place the adjustment pin in the desired cutting height and release the lift lock lever.

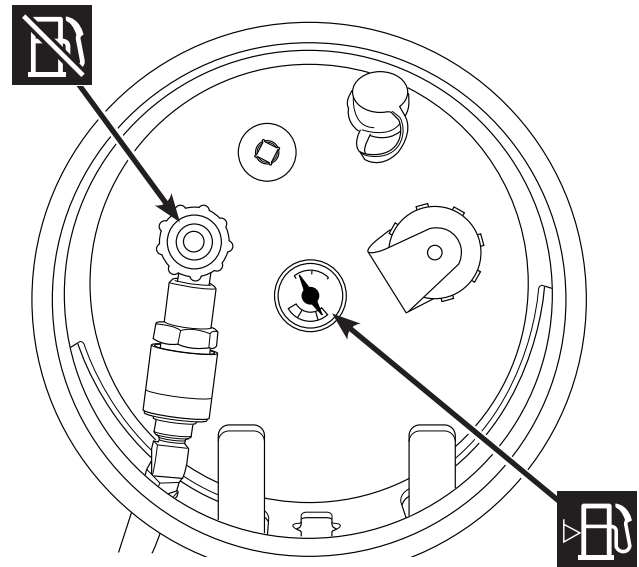
Hour Meter

The hour meter measures the number of hours the PTO has been engaged. The hour meter has a self contained power source so the total hours are always visible.

Instrument Control Panel (S/N: 2014953657 & Above)



FUEL TANK CONTROLS



Fuel Tank Shut-Off Valve (One valve per tank)

The fuel shut off valves are located on the front of the propane tanks. Turn the knob **CLOCKWISE** to close the fuel shut off valve. Turn the knob **COUNTER-CLOCKWISE** to open the fuel shut off valve.

When operating the unit, only one fuel tank shut-off valve should be open at a time, so that LP gas is only drawn from one tank at a time.

The propane tanks are equipped with a excess flow valve that will automatically close and stop the flow of propane from the tank if the flow of propane exceeds the specified rate.

Fuel Level Gauge

Displays the fuel level in the tank.

Operation

CHECKS BEFORE STARTING

- Check that crankcase is filled to the full mark on the dipstick. See the engine Operator's Manual for instructions and oil recommendations.
- Make sure all nuts, bolts, screws and pins are in place and tight.
- Adjust the seat position, and make certain you can reach all controls from operator's position.
- Make sure that the propane tanks are installed correctly and secured tightly. Refer to engine manual for fuel recommendations.
- Make sure that only one fuel shut-off valve is OPEN. Do NOT run the machine with both fuel shut-off valves opened at the same time.

WARNING

If you do not understand how a specific control functions, or have not yet thoroughly read the FEATURES & CONTROLS section, do so now.

Do NOT attempt to operate the tractor without first becoming familiar with the location and function of ALL controls.

STARTING THE ENGINE

1. Open the fuel shut off valve on one of the propane tanks by turning the fuel shut off valve COUNTER-CLOCKWISE. Leave the valve on the opposite tank closed.
2. While sitting in the operator's seat, engage the parking brake and make sure the PTO switch is disengaged and the ground speed control levers are locked in the NEUTRAL position.
3. Set the engine throttle control to **1/4 throttle position**.
4. Insert the key into the ignition switch and turn it to START.

NOTE: Allow the engine to crank for 3 seconds, if the engine does not start, re-check to see if the crankcase is filled to the full mark on the dipstick. If necessary fill the crankcase to the full mark on the dipstick. See the engine Operator's Manual for instructions and oil recommendations.

5. After the engine starts, allow the engine to warm up for at least a minute before engaging the PTO switch or driving the rider.

Warm up the engine by running it for at least a minute before engaging the PTO switch or driving the rider.

6. After warming the engine, ALWAYS operate the unit at FULL THROTTLE when mowing.

In the event of an emergency the engine can be stopped by simply turning the ignition switch to STOP. Use this method only in emergency situations. For normal engine shut down follow the procedure given in STOPPING THE RIDER.

STOPPING THE RIDER

1. Returning the ground speed control levers to the middle position will stop tractor movement. Pivot the levers outward and lock them in NEUTRAL.
2. Disengage the PTO by pushing down on the PTO switch.
3. Engage the parking brake by pulling the handle up until it locks into position.
4. Move the throttle control to **1/4 throttle position** and turn the ignition key to OFF. Remove the key.
5. Close the fuel tank shut-off valve on the propane tank by turning the fuel tank shut-off valve CLOCKWISE.

Maintenance

REMOVING THE PROPANE TANKS

The propane tanks must be removed from the machine for re-filling and for long term storage.

1. Close the the fuel shut off valve (A, Figure 1) by turning it CLOCKWISE.
2. The fuel supply hose fittings (B) are left-handed threads. Rotate the fuel supply hose fitting to the right to loosen the fuel supply hose fitting.
3. Release the propane tank straps (A, Figure 2) that secure the propane tank to the machine.
4. Lift the propane tank straight up off the machine.

RE-INSTALLING THE PROPANE TANKS

NOTE: The propane tank should be installed on the unit so that the fuel shut-off valve and fuel level gauge are pointing toward the rear of the machine by the rear bumper.

1. Position the propane tank so that the tank positioning bracket (C, Figure 1) fits into the slots located on either side of the center slot.
2. Connect the fuel supply hose fitting (B) to the tank. Turn the fuel supply hose fitting to the left to tighten the fuel supply hose fitting.
3. Tighten the propane tank straps (A, Figure 2) that secures the propane tank to the machine.

*NOTE: The length of the propane tank straps are adjustable. If the propane tank straps do not firmly secure the propane tank in place, unclasp the propane tanks straps, turn the handles clockwise and then reclasp the propane tank brackets. Continue this process until the propane tank straps hold the tank firmly in place. **DO NOT operate the machine with a propane tank that is not firmly secured into place.***

NOTE: Wait until you are ready to start the machine before re-opening the fuel shut off valve (A, Figure 1).

INITIAL FILL OF A NEW PROPANE TANK

A new propane tank that has never been filled with propane requires special procedures to properly purge the tank of air and fill for the first time. Refer to the instructions on the propane tank and fill only at an approved propane dealer following the procedures and specifications on the tank.

EXCESS FLOW VALVE

The propane tanks on this unit are equipped with excess flow valves which will close if the flow of propane exceeds a specified rate.

Conditions that will cause the excess flow valves to close are:

- a) If a component of the propane system suffers significant damage, allowing the mass escape of propane.
- b) If one propane tank is empty and the fuel shut-off valve is not closed before opening the fuel shut-off valve on the full tank. This causes the propane to quickly flow from the full tank to the empty tank until both tanks are at the same level.

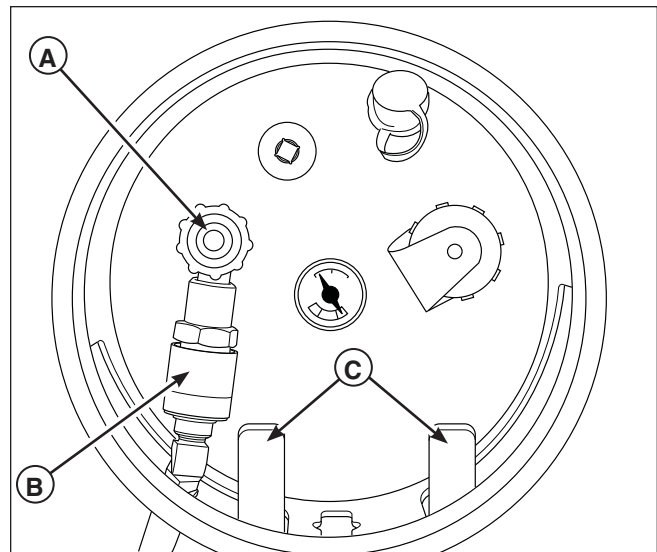


Figure 1. Closing the Fuel Tank Shut-Off Valve
A. Fuel Shut Off Valve
B. Fuel Supply Hose Fitting (w/ Left Hand Threads)
C. Tank Positioning Bracket

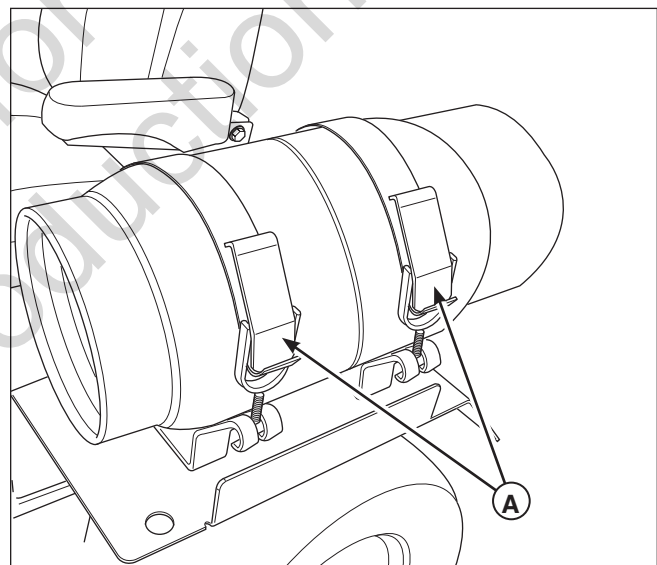


Figure 2. Releasing the Tank Straps
A. Propane Tank Straps

LEAK TESTING THE FUEL SYSTEM

This procedure should only be used when trying to identify the location of a leak.

1. Create a mixture of 50% water and 50% liquid dishwashing soap.
2. OPEN the fuel tank shut-off valve on the left hand propane tanks (turn valve COUNTER-CLOCKWISE). Leave the fuel tank shut-off valve on the right tank closed propane tank closed.
3. Using a sponge, rag or small non-metallic brush, apply the soap water mixture at each of the locations circled in Figure 3.

WARNING

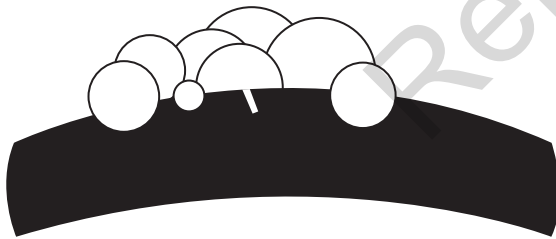


Gaseous vapors are extremely flammable and explosive.



Fire or explosion can cause severe burns or death.

- DO NOT smoke or permit ignition sources in the area while conducting a leak test.
 - Perform leak test OUTDOORS only in a well ventilated area.
 - DO NOT perform a leak test with a match or open flame.
 - DO NOT perform a leak test while the unit is in use.
 - ALWAYS perform a leak test whenever any fuel system components are changed.
4. Check each location shown in Figure 3 for growing bubbles, which indicate a fuel leak. Bubbles will look something like this:



5. CLOSE the fuel tank shut-off valve (turn fully CLOCKWISE).
6. Tighten or replace any leaking connections.
7. Repeat steps 2 through 6 until no leaks are detected. DO NOT use the unit if leaks cannot be stopped. Contact your authorized Ferris dealer for assistance.
8. Repeat steps 2 through 8, with the fuel tank shut-off valve closed on the left propane tank and the fuel tank shut-off valve opened on the right propane tank.

9. When you are done testing the system make sure that both fuel tank shut-off valves are CLOSED until you are ready to use the unit again.
10. Wash off soapy residue with clean cold water and towel dry.
11. Wait five minutes to allow all gas to evacuate the area before starting the generator.

NOTE: The leak test must be performed in an area that has adequate lighting in order to see if bubbles are developing. DO NOT use a flashlight to check for bubbles.

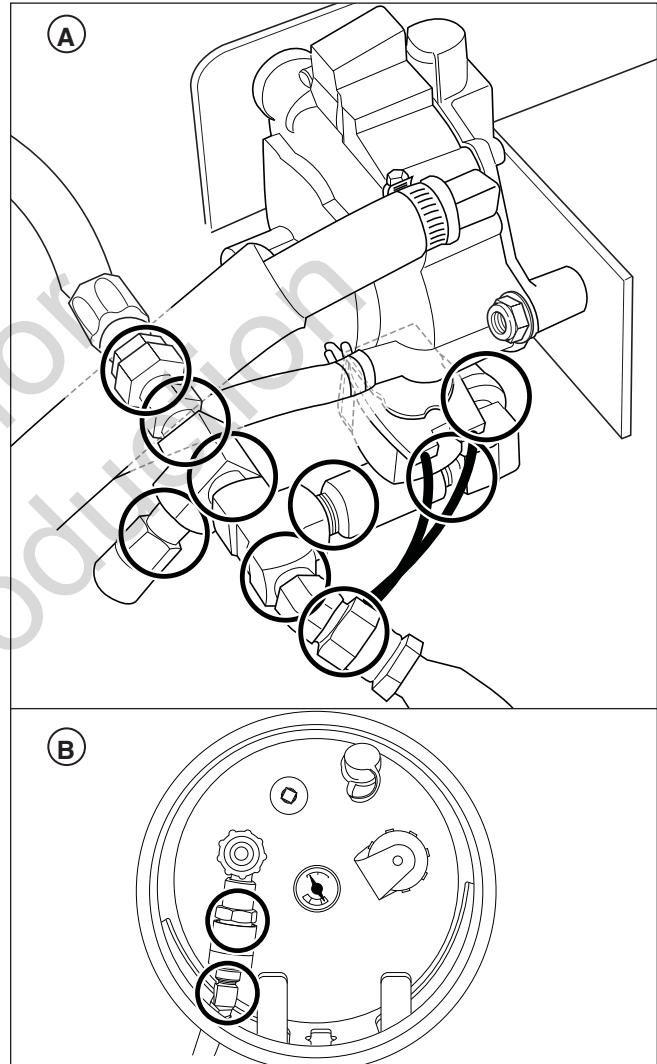


Figure 3. Leak Test Locations
A. Regulator and Connections
B. Propane Tank (Right Side Shown)

SPECIFICATIONS

Specifications are correct at time of printing and are subject to change without notice.

ENGINE:

Briggs & Stratton*

Make	Briggs & Stratton
Model	543577-0110-E1
Displacement	54.62 Cu. in (895 cc)
Electrical System	12 Volt, 20 amp. Alternator, Battery: 340 CCA
Oil Capacity	2.4 US qt. (2.25 L) w/ Filter

Power Ratings: The gross power rating for individual gas engine models is labeled in accordance with SAE (Society of Automotive Engineers) code J1940 (Small Engine Power & Torque Rating Procedure), and rating performance has been obtained and corrected in accordance with SAE J1995 (Revision 2002-05). Torque values are derived at 3060 RPM; horsepower values are derived at 3600 RPM. The gross power curves can be viewed at www.BRIGGSandSTRATTON.COM. Net power values are taken with exhaust and air cleaner installed whereas gross power values are collected without these attachments. Actual gross engine power will be higher than net engine power and is affected by, among other things, ambient operating conditions and engine-to-engine variability. Given the wide array of products on which engines are placed, the gas engine may not develop the rated gross power when used in a given piece of power equipment. This difference is due to a variety of factors including, but not limited to, the variety of engine components (air cleaner, exhaust, charging, cooling, carburetor, fuel pump, etc.), application limitations, ambient operating conditions (temperature, humidity, altitude), and engine-to-engine variability. Due to manufacturing and capacity limitations, Briggs & Stratton may substitute an engine of higher rated power for this Series engine.

CHASSIS:

Fuel Tanks	Capacity: 56 lbs net
Rear Wheels	Tire Size: 24 x 12.00 -12 Inflation Pressure: 15 psi (1,03 bar)
Front Wheels	Tire Size: 13 x 6.50 - 6 Inflation Pressure: 25 psi (1,72 bar)

TRANSMISSIONS:

(Pumps)

Hydro-Gear PJ-12:
12cc Pumps fit models: S/N: 2014192366 - 2014192366

Hydro-Gear PR-16:
16cc Pumps fit models: 37HP DFI Models: 2015308756 & Below;
All other models: S/N: 2014192367 - 2015308756

Hydro-Gear PR-2HCC-GV1X-XXXX:
S/N: 2015308757 & Above

(Wheel Motors)

Parker TF-024:
(S/N: 2015122497 & Below)

Parker TG-024:
(S/N: 2015122498 & Above)

Type	Pump and Wheel Motor
Hydraulic Fluid	Mobil 1™ 15W-50 synthetic oil or Castrol Syntec™ 5W-50 oil
Speeds	Forward: 0-10 MPH (0-16.09 km/h)
@ 3400 rpm	Reverse: 0-5 MPH (0-8.05 km/h)

DIMENSIONS:

Overall Length	82" (208,3 cm)
Overall Width	
61" Side Discharge	73" (183,4 cm)
72" Side Discharge	85" (216 cm)
Height	71" (180,3 cm) with Roll Bar Up 55" (139,7 cm) with Roll Bar Down
Weight (apx.)	2150 lbs. (975 kg)

Seguridad del Operador

⚠️ ADVERTENCIA

Evite sufrir lesiones graves o la muerte al operar un cortacésped con combustible de propano. Siga los procedimientos de operación del cortacésped, del combustible de propano y de llenado del depósito de combustible de propano.

PROCEDIMIENTOS OPERATIVOS DEL CORTACÉSPED AL USAR COMBUSTIBLE DE PROPANO

Antecedentes

- Los cortacéspedes Ferris a propano están diseñados para que funcionen en un sistema a vapor de propano, el que extrae vapor del depósito de combustible. No es compatible con el sistema de propano típico de un elevador de horquilla que funciona con propano líquido que se extrae del depósito de combustible.
- El sistema de combustible está diseñado con una rosca izquierda en las conexiones de la manguera y del depósito de combustible para evitar el uso de un depósito de propano líquido (con roscas derechas). El cortacésped NO funcionará correctamente con un depósito de combustible de propano líquido.

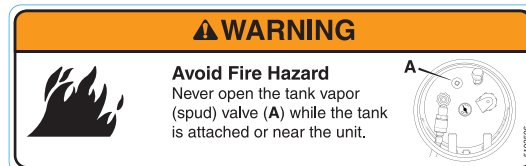
Operación

- APAGUE el suministro de propano en la válvula de corte del depósito de combustible al final de cada día, antes de cambiar depósitos de combustible o de transportarlo.
- Opere el cortacésped con un depósito de propano a la vez. Mantenga cerrada la válvula de corte del depósito de combustible que se encuentra en el lado opuesto del mismo.
- CIERRE inmediatamente la válvula de corte del depósito de combustible que se encuentra en el mismo si siente olor a propano. NO intente arrancar el motor hasta que se haya identificado y reparado el problema.
- Evite riesgos de incendio. Nunca abra la válvula (de conexión) de vapor del tanque cuando el tanque esté sujeto a la unidad o cerca de la misma.

Mantenimiento

- NO purgue combustible de propano en interiores, en un remolque cerrado, un garaje u otras áreas cerradas. El propano se encuentra bajo presión y es altamente inflamable.
- NO altere ni ajuste el sistema de combustible de propano de ninguna manera.
- Almacene depósitos de combustible de propano solamente en áreas EXTERIORES lejos de artefactos eléctricos o a gas, y de cualquier posible fuente de chispas, calor o equipo pesado. El recinto de almacenamiento debe estar construido y ubicado en conformidad con los códigos de seguridad de la jurisdicción local, estatal, federal o provincial.
- Use SÓLO un depósito de combustible de propano certificado por el Departamento de Transportes de EE.UU. Consulte con su distribuidor Ferris para obtener depósitos adicionales.

- Revise regularmente la tubería de suministro flexible. Asegúrese de que esté en buenas condiciones. Reemplace los componentes dañados o que presenten fugas.



P/N: 5103596

Decal, Warning, Vapor Valve


PROCEDIMIENTOS DE LLENADO DEL DEPÓSITO DE COMBUSTIBLE DE PROPANO

- Un depósito de combustible de propano es un cilindro diseñado para contener un gas de petróleo licuado (propano) bajo presión que es altamente inflamable. El llenado, la operación y el mantenimiento de este cilindro (depósito) lo debe realizar personal debidamente capacitado y calificado en un distribuidor de propano aprobado en conformidad con los requisitos de la jurisdicción local, estatal, federal y provincial.
- No llene el depósito de propano en exceso. Abastezca combustible en un distribuidor de propano aprobado siguiendo los procedimientos y las especificaciones que aparecen en el depósito.
- Un depósito de propano nuevo que nunca se haya llenado con propano requiere procedimientos especiales para purgar adecuadamente el depósito de aire y llenarlo por primera vez. Consulte las instrucciones que aparecen en el depósito de propano y llénelo solamente en un distribuidor de propano aprobado, siguiendo los procedimientos y las especificaciones que aparecen en el depósito.

⚠️ ADVERTENCIA

 Los vapores de propano son extremadamente inflamables y explosivos.





 El fuego o una explosión puede causar quemaduras graves o la muerte.

 Se puede producir congelación debido al contacto con la piel o los ojos con líquido de propano que se fugue.

PROCEDIMIENTOS DE MANIPULACIÓN SEGURA DEL PROPANO

- Si existe una fuga de gas propano en el área, no intente arrancar el motor.
- Para protegerse del riesgo de congelación debido a una potencial fuga de líquido de propano, use siempre vestimenta de protección al trabajar en el sistema de propano.

Freno de mano

		QUITAR	Con eso se quita el freno de mano.
		ACCIONAR	Con eso se fija el freno de mano.

Jale la palanca del freno de mano para accionar el mismo y mueva la palanca completamente hacia adelante para quitarlo. **NOTA:** Para arrancar la unidad, el freno de mano debe estar accionado.



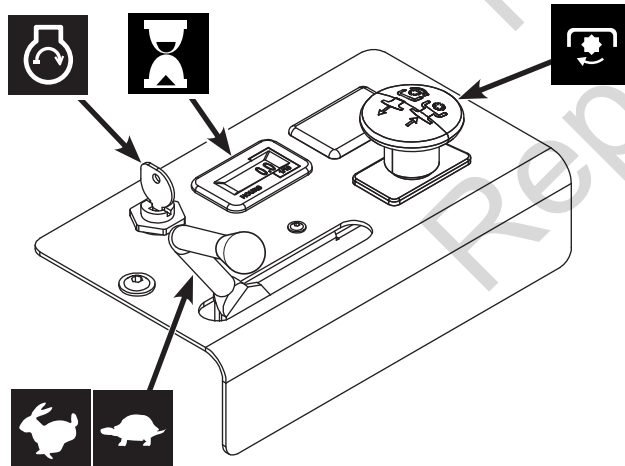
Pedal elevador de la cubierta, Pasador de ajuste de la altura de corte y Palanca de bloqueo del elevador de la cubierta

Éstos controlan la altura de corte de la cubierta de la podadora. Presione el pedal hasta que quede fijo en la posición de 5" (12,7cm). Coloque el pasador de ajuste a la altura de corte deseada y luego suelte la palanca de bloqueo del elevador.

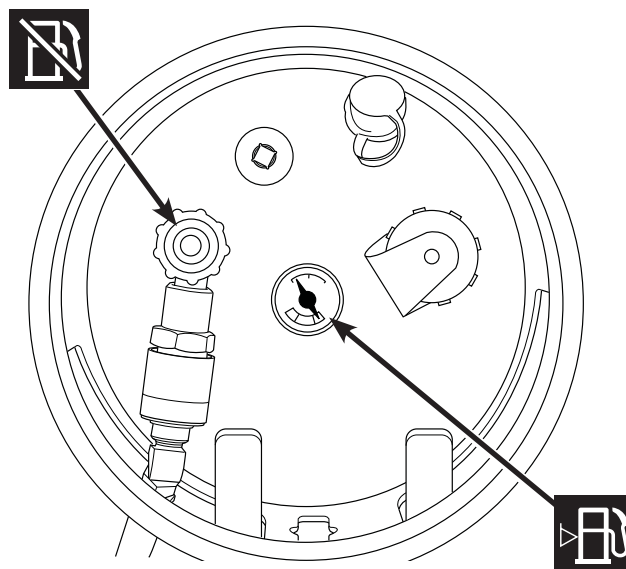
Medidor de horas

Mide el tiempo que el PTO lleva activado.

Panel de instrumentos de control (S/N: 2014953657 & Arriba)



CONTROLES DEL DEPÓSITO DE COMBUSTIBLE



Válvula de corte del depósito de combustible (una válvula por depósito)

Las válvulas de corte de combustible se ubican en la parte delantera de los depósitos de combustible. Gire la perilla EN EL SENTIDO DE LAS AGUJAS DEL RELOJ para cerrar la válvula de corte de combustible. Gire la perilla EN SENTIDO CONTRARIO AL DE LAS AGUJAS DEL RELOJ para abrir la válvula de corte de combustible.

Al operar la unidad, sólo se debe abrir una válvula de corte del depósito de combustible a la vez, por lo que el gas de petróleo licuado sólo se extrae desde un depósito a la vez.

Los tanques de propano están equipados con una válvula de exceso de flujo que se cierre automáticamente y detener el flujo de propano de la cisterna si el flujo de propano es superior a la tasa especificada.

Medidor de combustible

Muestra el nivel de combustible en el tanque.

Operación

REVISIONES ANTES DE ARRANCAR

- Revise que el aceite del cárter esté en la marca de lleno de la varilla de nivel de aceite. Vea el Manual del operador del motor para obtener instrucciones y recomendaciones.
- Asegúrese de que las tuercas, pernos, tornillos y pasadores estén en su lugar y apretados.
- Ajuste la posición del asiento y asegúrese de poder alcanzar todos los controles desde el puesto del operador.
- Asegúrese de que los depósitos de propano estén correctamente instalados y bien cerrados. Consulte el manual del motor para conocer las recomendaciones de combustible.
- Asegúrese de que sólo se ABRA una válvula de corte de combustible. NO haga funcionar la máquina con ambas válvulas de corte de combustible abiertas a la vez.

ADVERTENCIA

Si usted no entiende cómo funciona un control específico, o no ha leído con detenimiento la sección de FUNCIONES Y CONTROL, hágalo ahora.

NO intente operar el montable sin antes familiarizarse con la ubicación y la función de CADA UNO de los controles.

ARRANCAR EL MOTOR

1. Sólo se debe abrir una válvula de corte del depósito de combustible a la vez. Gire la perilla EN SENTIDO CONTRARIO AL DE LAS AGUJAS DEL RELOJ para abrir la válvula de corte de combustible.
2. Estando sentado en el asiento del operador, accione el freno de mano y asegúrese de que el interruptor PTO esté desactivado y que las manivelas de control de movimiento estén fijas en posición de NEUTRAL.
3. Coloque el control de la mariposa del motor en la **posición 1/4 de marcha**.
4. Introduzca la llave en el interruptor de encendido y gírela a START.

NOTA: Permita que el motor se encienda durante 3 segundos. Si no arranca el motor, vuelva a revisar para ver si el cárter está lleno hasta la marca Full (Lleno) en la varilla para medición del nivel. Si fuese necesario, llene el cárter hasta la marca de Full en la varilla para medición del nivel. Consulte el manual del operador del motor para obtener instrucciones y recomendaciones sobre el aceite.

5. Después de arrancar el motor, permitir que el motor se caliente durante al menos un minuto antes de iniciar la toma de fuerza o cambiar la conducción del jinete.

Caliente el motor dejándolo correr al menos un minuto antes de activar el interruptor PTO o conducir la unidad.

6. **Después de calentar el motor, opere SIEMPRE la unidad con el acelerador en posición de FULL mientras poda el césped.**

En caso de emergencia, el motor puede detenerse simplemente girando el interruptor de encendido a STOP. Use este método sólo en situaciones de emergencia. Para apagar el motor de manera normal, siga el procedimiento dado en DETENER EL MONTABLE.

DETENER EL MONTABLE

1. Para detener el movimiento del montable, regrese las palancas del control de velocidad de avance a la posición media. Gire las palancas hacia afuera y fíjelas en NEUTRAL.
2. Desactive el PTO empujando hacia abajo el interruptor.
3. Accione el freno de mano jalando la manivela hacia arriba hasta que quede fija.
4. Mueva el control de la mariposa hasta la posición de 1/4 de marcha y gire la llave de encendido hasta la posición OFF (Apagado). Retire la llave.
5. Cierre la válvula de corte del depósito de combustible que se encuentra en el depósito de propano en un movimiento EN EL SENTIDO DE LAS AGUJAS DEL MOTOR.

Mantenimiento

RETIRO DE LOS DEPÓSITOS DE PROPANO

Los depósitos de propano se deben retirar de la máquina para llenarlos y durante un almacenamiento prolongado.

1. Cierre la válvula de corte de combustible (A, Figura 1) girándola EN EL SENTIDO DE LAS AGUJAS DEL RELOJ.
2. Los accesorios de la manguera de suministro de combustible (B) tienen roscas izquierdas. Gire el accesorio de la manguera de suministro de combustible hacia la derecha para soltar el accesorio de la manguera de suministro de combustible.
3. Suelte las bandas del depósito de propano (A, Figura 2) que fijan el depósito de propano a la máquina.
4. Levante el depósito de propano de manera recta de la máquina.

REINSTALACIÓN DE LOS DEPÓSITOS DE PROPANO

NOTA: El depósito de propano se debe instalar en la unidad para que la válvula de corte de combustible y el indicador de nivel de combustible apunten hacia la parte posterior de la máquina cerca del parachoques.

1. Coloque el depósito de propano de modo que el soporte de posicionamiento del depósito (C, Figura 1) encaje en las ranuras que se encuentran a cada lado de la ranura central.
2. Conecte el accesorio de la manguera de suministro de combustible (B) al depósito. Gire el accesorio de la manguera de suministro de combustible hacia la izquierda para apretar el accesorio de la manguera de suministro de combustible.
3. Apriete las bandas del depósito de propano (A, Figura 2) que fijan el depósito de propano a la máquina.

*NOTA: El largo de las bandas del depósito de propano es ajustable. Si las bandas del depósito de propano no lo fijan bien en su lugar, suéltelas, gire las manillas en el sentido de las agujas del reloj y luego vuelva a colocar los soportes del depósito de propano. Continúe este proceso hasta que las bandas del depósito de propano lo fijen firmemente en su lugar. **NO opere la máquina con un depósito de propano que no esté fijo de manera firme en su lugar.***

NOTA: Espere hasta que esté listo para arrancar la máquina antes de volver a abrir la válvula de corte de combustible (A, Figura 1).

LLENADO INICIAL DE UN DEPÓSITO DE PROPANO NUEVO

Un depósito de propano nuevo que nunca se haya llenado con propano requiere procedimientos especiales para purgar adecuadamente el depósito de aire y llenarlo por primera vez. Consulte las instrucciones que aparecen en el depósito de propano y llénelo solamente en un distribuidor de propano aprobado, siguiendo los procedimientos y las especificaciones que aparecen en el depósito.

VÁLVULA DE EXCESO DE FLUJO

Los tanques de propano en esta unidad están equipados con válvulas de exceso de flujo que se cerrará si el flujo de propano supera una determinada tasa.

Condiciones que causa el exceso de flujo para cerrar las válvulas son:

- a) Si un componente del sistema de propano sufre daños importantes, permitiendo la masiva fuga de propano.

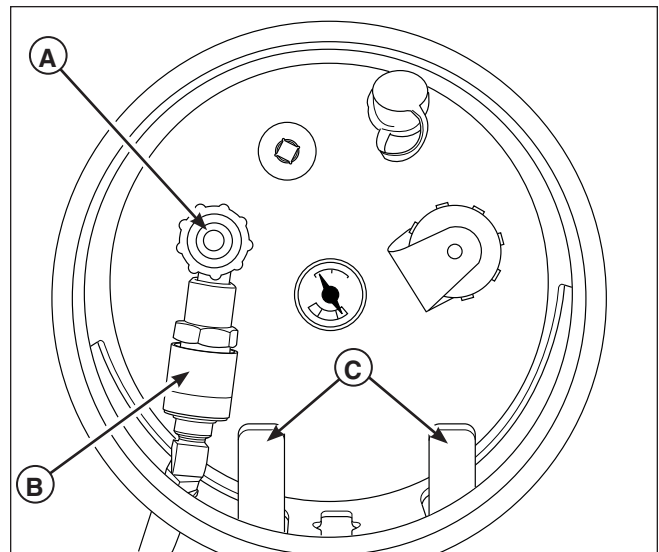


Figura 1. Cierre de la válvula de corte del depósito de combustible

- A. Válvula de corte de combustible**
- B. Accesorio de la manguera de suministro de combustible (c/ roscas izquierdas)**
- C. Soporte de posicionamiento del depósito**

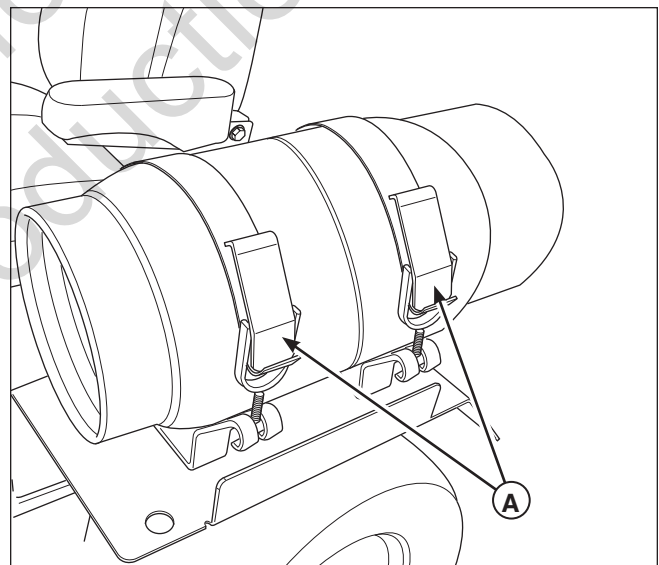


Figura 2. Liberación de las bandas del depósito
A. Bandas del depósito de propano

- b) Si un tanques de propano está vacío y la válvula de cierre de combustible no se cierra antes de abrir la válvula de cierre de combustible en el tanque lleno. Esto hace que el propano rápidamente el flujo de tanque lleno a la cisterna vacíos hasta que ambos tanques se encuentran al mismo nivel.

PRUEBA DE FUGAS DEL SISTEMA DE COMBUSTIBLE

Este procedimiento sólo se debe usar al intentar identificar la ubicación de una fuga.

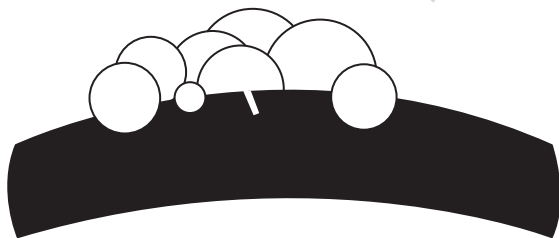
1. Cree una mezcla de 50% de agua y 50% de jabón lavavajillas líquido.
2. ABRA la válvula de corte del depósito de combustible que se encuentra a la izquierda de los depósitos de propano (gire la válvula en sentido CONTRARIO AL DE LAS AGUJAS DEL RELOJ. Deje cerrada la válvula de corte en el depósito de propano derecho).
3. Con una esponja, un trapo o una escobilla no metálica pequeña, aplique la mezcla de agua con jabón en cada uno de los lugares encerrados en un círculo en la Figura 3.

⚠ ADVERTENCIA

 Los vapores gaseosos son extremadamente inflamables y explosivos.

 El fuego o una explosión puede causar quemaduras graves o la muerte.

- NO fume ni permita fuentes de encendido en el área mientras realice una prueba de fugas.
 - Realice pruebas de fugas en EXTERIORES sólo en un área ventilada.
 - NO realice una prueba de fugas con un fósforo o una llama abierta.
 - NO realice una prueba de fugas mientras esté en uso la unidad.
 - Realice SIEMPRE una prueba de fugas cuando se cambie cualquier componente del sistema de combustible.
4. Revise todos los lugares que se muestran en la Figura 3 para saber si existen burbujas que indiquen una fuga de combustible. Las burbujas serán similares a esto:



5. CIERRE la válvula de corte del depósito de combustible (gírela completamente EN EL SENTIDO DE LAS AGUJAS DEL RELOJ).
6. Apriete o reemplace todas las conexiones que presenten fugas.
7. Repita los pasos 2 al 6 hasta que no se detecten fugas. NO use la unidad si no se pueden detener las fugas. Comuníquese con su distribuidor Ferris autorizado para obtener asistencia.

8. Repita los pasos 2 al 8 con la válvula de corte del depósito de combustible cerrada en el depósito de propano izquierdo y con la válvula de corte del depósito de combustible abierta en el depósito de propano derecho.
9. Cuando termine de probar el sistema, asegúrese de que ambas válvulas de corte del depósito de combustible estén CERRADAS hasta que esté listo para usar nuevamente la unidad.
10. Limpie los residuos de jabón con agua fría limpia y una toalla seca.
11. Espere cinco minutos para permitir que se evacue todo el gas del área antes de arrancar el generador.

NOTA: La prueba de fugas se debe realizar en un área que tenga la iluminación adecuada para saber si se desarrollan burbujas. NO use una linterna para revisar si existen burbujas.

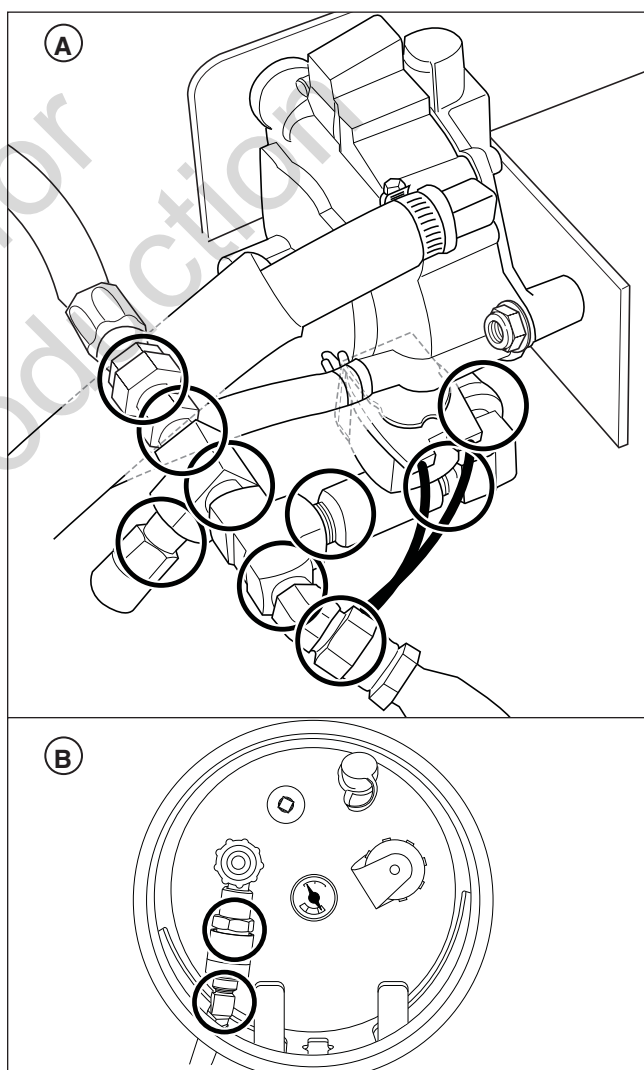


Figura 3. Lugares de prueba de fugas
A. Regulador y conexiones
B. Depósito de propano (se muestra el lado derecho)

ESPECIFICACIONES

Las especificaciones son correctas al momento de la impresión y están sujetas a cambios sin previo aviso.

MOTOR

Briggs & Stratton Vanguard de 32 Bruto HP*

Marca	Briggs & Stratton
Modelo	543777-0120-E1
Carrera	54.62 pulgadas cúbicas (895 cc)
Sistema eléctrico	12 voltios, 20 amp. Alternador, batería: 340 CCA
Capacidad de aceite	2.4 US qt. (2.25 L) c/ filtro

***Clasificación de la potencia del motor:** La clasificación de potencia bruta para el modelo de motor de gasolina individual está etiquetada de acuerdo con el código J1940 (Small Engine Power & Torque Rating Procedure) de la SAE (Society of Automotive Engineers), y la clasificación de rendimiento ha sido obtenida y corregida de conformidad con SAE J1995 (Revisión 2002-05). Los valores de torsión se derivan a 3060 RPM. Los valores de los caballos de fuerza se derivan a 3600 RPM. Las curvas de potencia bruta se pueden ver en www.BRIGGSandSTRATTON.COM. Los valores de potencia neta se obtienen con el filtro de aire y la ventilación instalados mientras que los valores de la potencia bruta se reúnen sin estos accesorios instalados. La potencia bruta efectiva del motor será superior a la de la potencia del motor y se verá afectada por, entre otros elementos, las condiciones ambientales de funcionamiento y variabilidad entre motores. Dado el amplio conjunto de productos en que se colocan los motores, el motor de gasolina no desarrollará la potencia bruta clasificada cuando se utilice en un componente de equipamiento de motor determinado. Estas diferencias son debidas a una amplia variedad de factores, incluidos, sin exclusión de otros, diferentes componentes del motor (limpiadores de aire, tubos de escape, carga, refrigeración, carburador, bomba de combustible, etc.), limitaciones de aplicación, condiciones ambientales de funcionamiento (temperatura, humedad, altitud) y la variabilidad entre motores. Debido a las limitaciones de fabricación y capacidad, Briggs & Stratton podrá sustituir una mayor potencia clasificada para este motor de serie.

CHASIS

Tanques de gasolina	Capacidad: 12 galones (45.42L) en total
Ruedas traseras	Tamaño de llanta: 24 x 12.00 -12 Presión de inflado: 15 psi (1.03 bar)
Ruedas delanteras	Tamaño de llanta: 13 x 6.50 - 6 Presión de inflado: 25 psi (1.72 bar)

TRANSMISIONES:

Bomba

HydroGear PJ-12:

Modelos de bomba de 12cc: S/N: 2014192366 - 2014192366

Hydro-Gear PR-16:

Modelos de DFI: 2015308756 y Abajo;

Pron otro modelos: S/N: 2014192367 - 2015308756

Hydro-Gear PR-2HCC-GV1X-XXXX:

2015308757 y Arriba

Motor Radial

Parker TF-024:

(S/N: 2015122497 y Abajo)

Parker TG-024:

(S/N: 2015122498 y Arriba)

Tipo

Bomba y motor radial

Fluido hidráulico

Aceite sintético Mobil 1™ 15W-50 o

Aceite Castrol Syntec™ 5W-50

Velocidad @

Hacia adelante: 0-10 MPH (0-16.09 km/h);

3400 rpm

Hacia atrás: 0-5 MPH (0-8.05 km/h)

DIMENSIONES:

Longitud total 82" (208,3 cm)

Ancho total

61" de expulsión lateral 73" (183,4 cm)

72" de expulsión lateral 85" (216 cm)

Altura



Con la Barra Antivuelco Abajo 55" (139,7 cm)

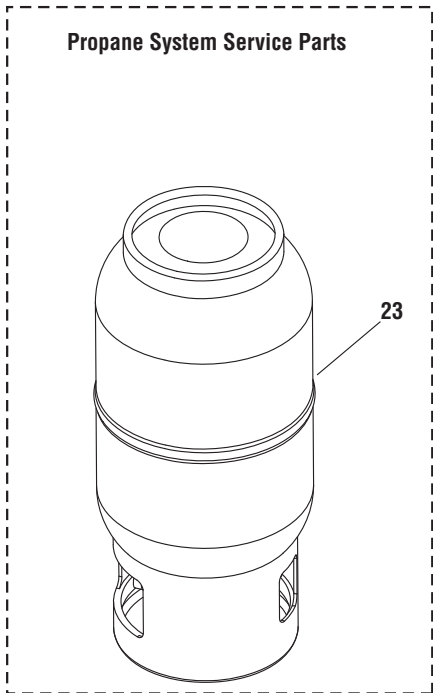
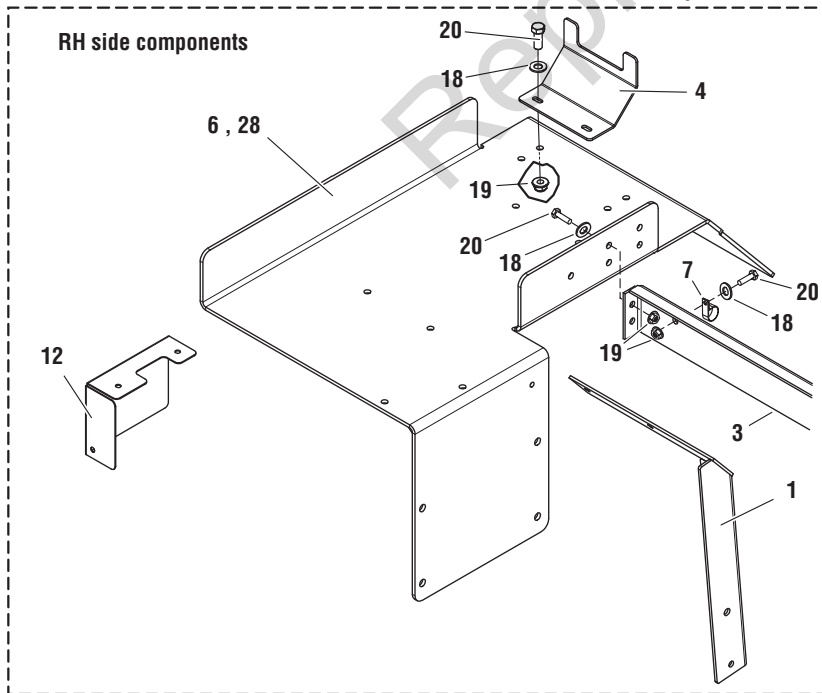
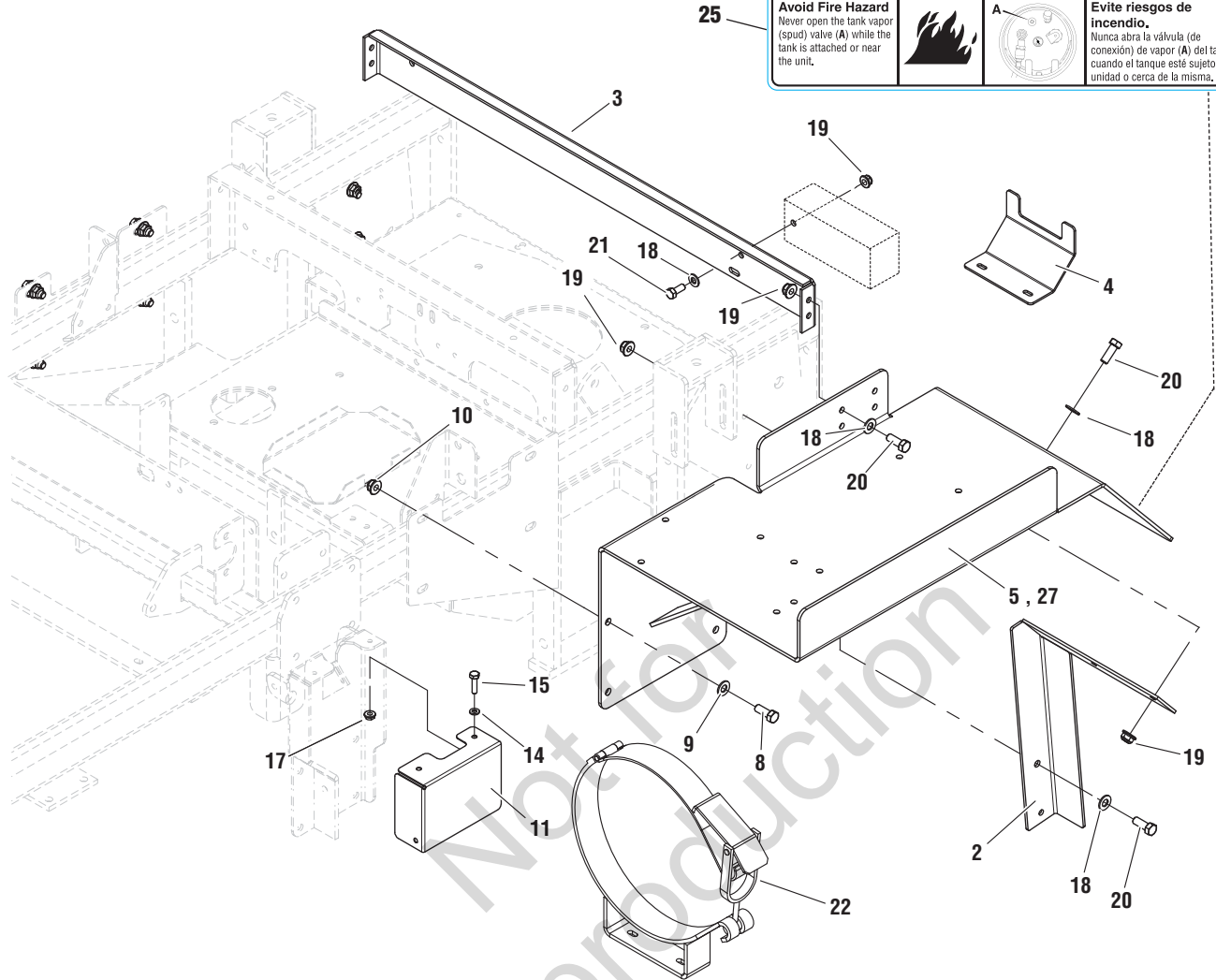
Con la Barra Antivuelco Arriba 71" (180,3 cm)

Peso (aprox.) 2150 lbs. (975 kg)

Supplemental Parts List - Tank Mount Group

Illustrated Parts Lists

⚠ WARNING	⚠ ADVERTENCIA
<p>Avoid Fire Hazard Never open the tank vapor (spud) valve (A) while the tank is attached or near the unit.</p>	<p>Evite riesgos de incendio. Nunca abra la válvula (de conexión) de vapor (A) del tanque cuando el tanque esté sujeto a la unidad o cerca de la misma.</p>
	

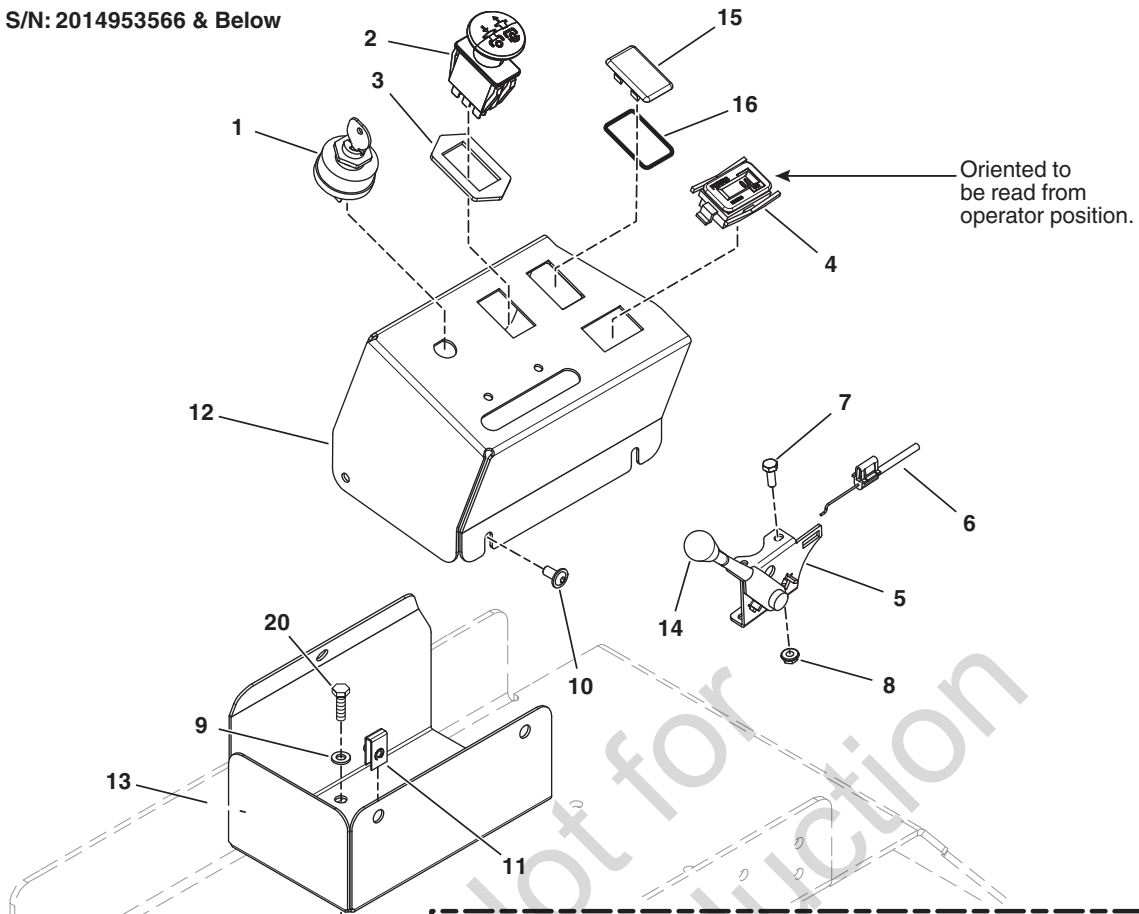


Supplemental Parts List - Tank Mount Group

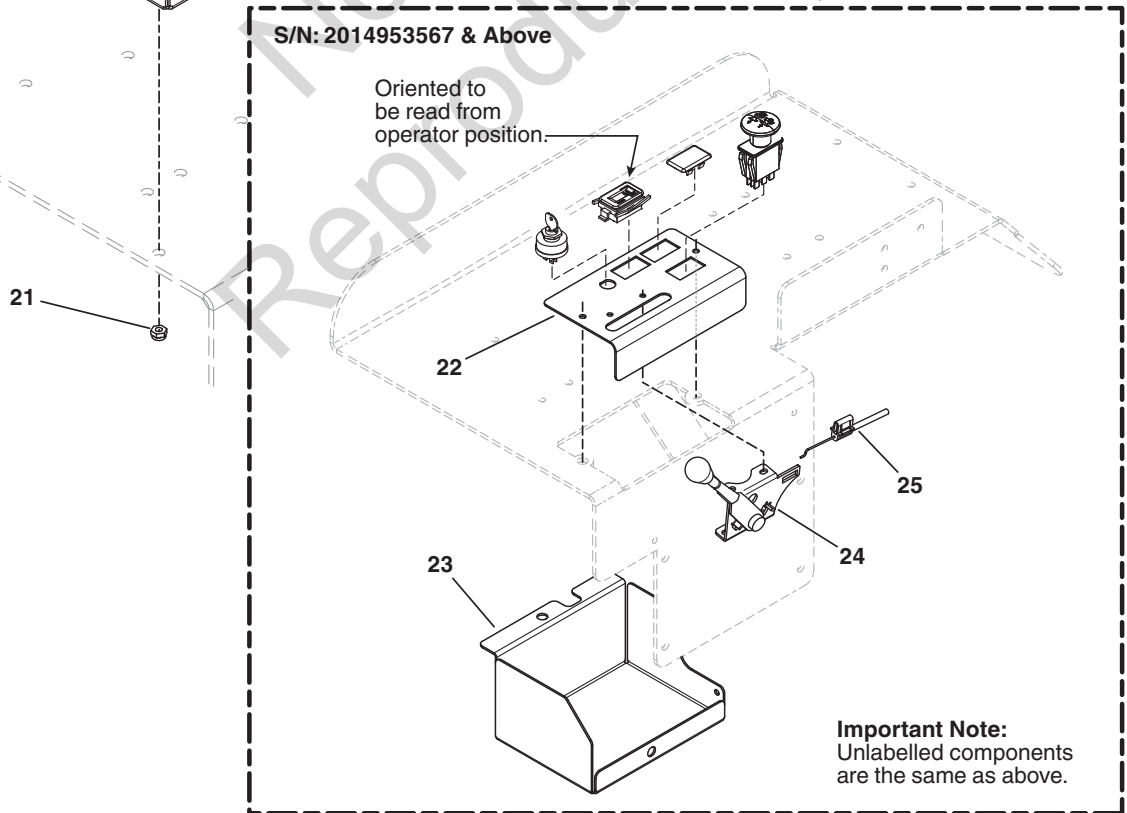
REF NO.	PART NO.	QTY	DESCRIPTION
1	5407570B	1	MOUNT, TANK MOUNT, PROPANE, RH - RED
2	5407592B	1	MOUNT, TANK MOUNT, PROPANE, LH - RED
3	5404213B	1	PLATE, BRACKET, REGULATOR MOUNT, PROPANE - RED
4	5403947B	2	PLATE, BRACKET, TANK MOUNT - RED
5	5403521B	1	WELD, TANK MOUNT - LH (S/N: 2014953566 & Below)
6	5403520B	1	WELD, TANK MOUNT - RH (S/N: 2014953566 & Below)
7	5023173	2	CLAMP, HOSE, 1" DIAMETER
8	5025013X8	8	BOLT, 3/8-16 X 1 GD5 YZ
9	5025156	8	WASHER, 3/8 SAE
10	5025394	8	NUT, 3/8-16 HEX NYLOCK FLANGE
11	5403618B	1	PLATE, SWITCH, GUARD, LH - RED
12	5403617	1	PLATE, SWITCH, GUARD, RH - RED
13	5025010X16	2	BOLT, 1/4-20 X 2", GD5 (For bolting hose clamps to engine.)
14	5025154	6	WASHER, 1/4 SAE (Qty: 2 for bolting hose clamps to engine.)
15	5025010X8	4	BOLT, 1/4-20 X 1" GD5
16	5025011X6	8	BOLT, 5/16-18 X 3/4 GD5 (Not shown. For bolting propane tank strap brackets tank mount weldments.)
17	5025156	6	NUT, 1/4-20 HEX SERRATED FLANGE
18	5025155	28	WASHER, 5/16 SAE
19	5025392	28	NUT, 5/16-18 HEX NYLOCK FLANGE
20	5025011X8	18	BOLT, 5/16-18 X 1 GD5 YZ
21	5025011X12	2	BOLT, 5/16-18 X 1-1/2" GD5 YZ
22	5101427	2	STRAP, BRACKET KIT, PROPANE TANK (Not shown.)
23	5101707	2	TANK, PROPANE - WORTHINGTON
24	-	1	ENGINE, BRIGGS & STRATTON, PROPANE READY
25	5101425	1	SWITCH, OIL PRESSURE (Not illustrated.)
26	5102666	2	DECAL, WARNING, VAPOR VALVE
27	5406713B	1	WELD, TANK MOUNT - LH (S/N: 2014953567 & Above)
28	5406714B	1	WELD, TANK MOUNT - RH (S/N: 2014953567 & Above)

Supplemental Parts List - Instrument Control Group

S/N: 2014953566 & Below



S/N: 2014953567 & Above

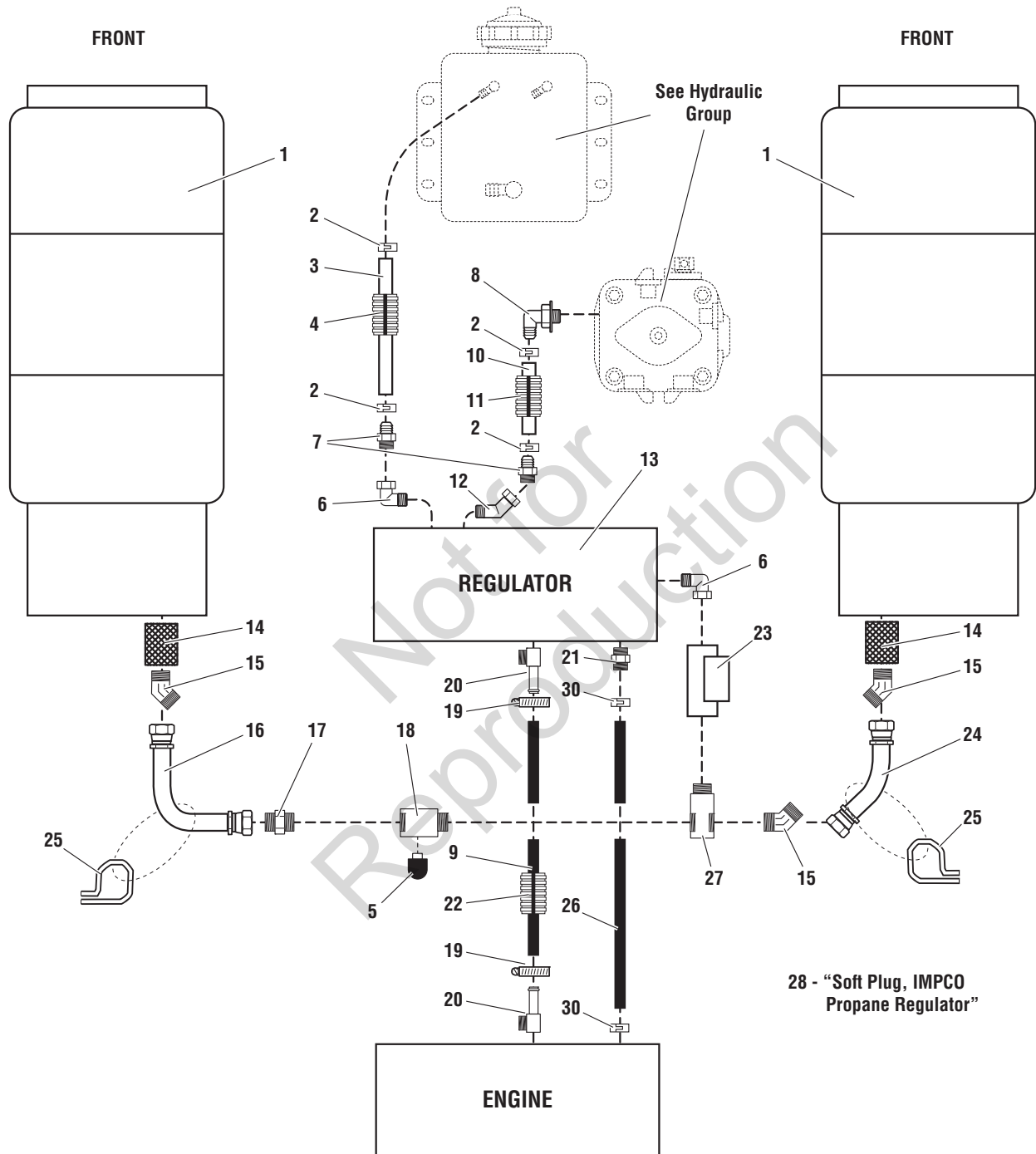


Important Note:
Unlabelled components are the same as above.

Supplemental Parts List - Instrument Control Group

REF NO.	PART NO.	QTY	DESCRIPTION
1	5020927	1	SWITCH, IGNITION, 6 POST (INCLUDES REF # 17 -19
2	5022180	1	SWITCH, BLADE ENGAGEMENT
3	5022222	1	RING, SWITCH RETAINER
4	5100996	1	HOUR METER, W/ SUPPRESSOR
5	5101537	1	LEVER, THROTTLE CONTROL (S/N: 2014953566 & Below)
6	5101072	1	CABLE, THROTTLE, 52" (S/N: 2014953566 & Below)
7	5025179X6	2	SCREW, #10-24 X 3/4" ROUND PHILLIPS
8	5025271	2	NUT, #10-24 HEX NYLON LOCK
9	5025155	2	WASHER, 5/16 SAE
10	5025299X4	3	SCREW, 1/4-20 X 1/2 ALLEN BH
11	5022665	3	BODY CLIP, 1/4-20 X 1/2" DEEP
12	5403495A	1	CONTROL PANEL, TOP - BLK (S/N: 2014953566 & Below)
13	5403496A	1	CONTROL PANEL, BOTTOM - BLK (S/N: 2014953566 & Below)
14	5046360X1	1	KNOB, THROTTLE CONTROL (SV)
15	1709188	1	PLUG, .820X1.44 HOLE, BLACK PLASTIC
16	5022269	1	O-RING, 7/8 ID X 1/16 W
17	5022789	1	KEY, IGNITION MOLDED SET (NOT SHOWN) (SV)
18	5022790	1	COVER (NOT SHOWN) (SV)
19	5022791	1	PLASTIC NUT (NOT SHOWN) (SV)
20	5025011X6	2	BOLT, 5/16-18 X 3/4 GD5
21	5025392	2	NUT, 5/16-18 HEX NYLOCK FLANGE
22	5405268A	1	PLATE, INST CTRL PANEL (S/N: 2014953567 & Above)
23	5407425A	1	PLATE, INST CTRL SHIELD (S/N: 2014953567 & Above)
24	5046360	1	HANDLE, THROTTLE CONTROL (S/N: 2014953567 & Above)
25	5101076	1	CABLE, THROTTLE 47" (S/N: 2014953567 & Above)

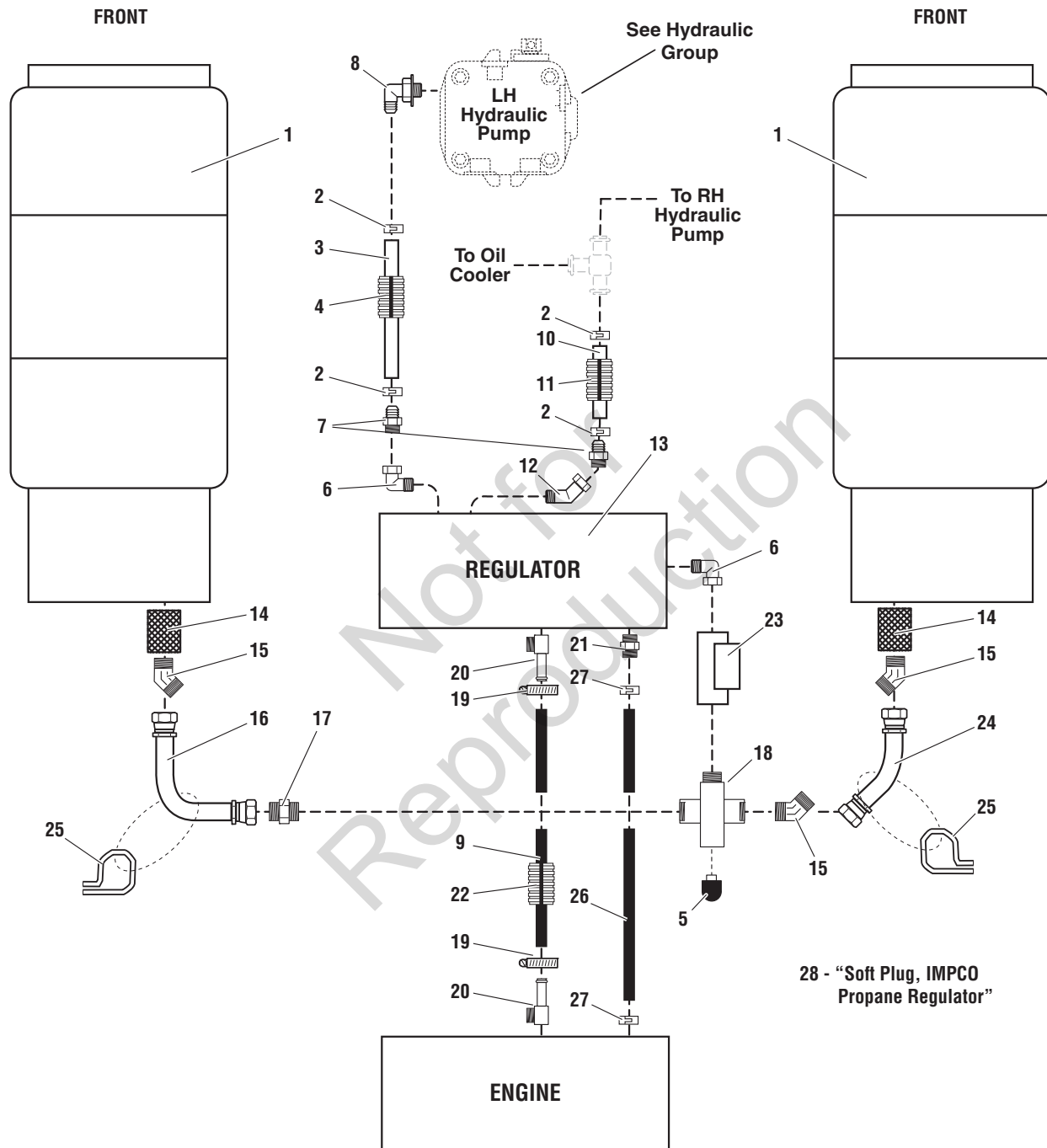
Supplemental Parts List - Fuel Supply Group (S/N: 2014953566 & Below) _____



Supplemental Parts List - Fuel Supply Group (S/N: 2014953566 & Below)

REF NO.	PART NO.	QTY	DESCRIPTION
1	5101707	2	TANK, ALUMINUM, PROPANE
2	5023268	4	CLAMP, HOSE
3	5050860X29	1	HOSE, 3/8" PUSH-LOCK, 29.00"
4	5050861X25	1	WIRE LOOM, 5/8" ID, 25" LONG
5	5101430	1	RELIEF VALVE, PROPANE
6	5101570	2	FITTING, 1/4 NPT STREET ELBOW, PLATED STEEL
7	5101440	2	FITTING, 3/8 HOSE BARB X 1/4NPT, BRASS
8	5023267	1	ADAPTER, 90 DEG, 9/16-3/8 BARB
9	5101433	1	HOSE, LOW PRESSURE FUEL X 33.25, PROPANE
10	5050860X11	1	HOSE, 3/8" PUSH-LOCK, 11.00"
11	5050861X11	1	WIRE LOOM, 5/8" ID, 11" LONG
12	5101452	1	FITTING, 1/4NPT X 45, STREET ELBOW BRASS
13	5101423	1	REGULATOR, PROPANE (INCLUDES REF NO 20 & 28)
14	5101429	2	COUPLING, PROPANE TANK
15	5101436	3	FITTING, TEE, 1/4 NPTM X 45 ELBOW BRASS
16	5101432	1	HOSE, LH FUEL SUPPLY ASM X 16.62 PROPANE
17	5101437	1	FITTING, 1/4 NPTM STRAIGHT, BRASS
18	5101572	1	FITTING, 1/4" NPT STREET TEE, PLATED STEEL
19	5021164	2	CLAMP, #10 HOSE, STAINLESS
20	5101569	2	FITTING, 3/8NPT-1/2 HOSE, BARB PLATED STEEL (SV)
21	5101439	1	FITTING, 1/4 HOSE BARB X 1/8NPT, BRASS
22	5100384X32	1	LOOM, CONVOLUTED SPLIT, 1" ID
23	5404096	1	VALVE, LOCK OFF, ASSEMBLY
24	5101431	1	HOSE, RH FUEL SUPPLY ASM X 36, PROPANE
25	5023173	3	CLAMP, HOSE, 1.000 DIA
26	5404026	1	HOSE, 1/4 ID VAC HOSE X 29, PROPANE
27	5101571	1	FITTING, TEE, 1/4 NPT, PLATED STEEL
28	5101423X1	1	SOFT PLUG, IMPCO PROPANE REGULATOR (Not Shown - SV)
29	5050840X4	1	BLACK Q TRIM, 4.00 LONG (Not Shown)
30	5020835	2	CLAMP, HOSE, EXTERNAL, 1/2 - RED

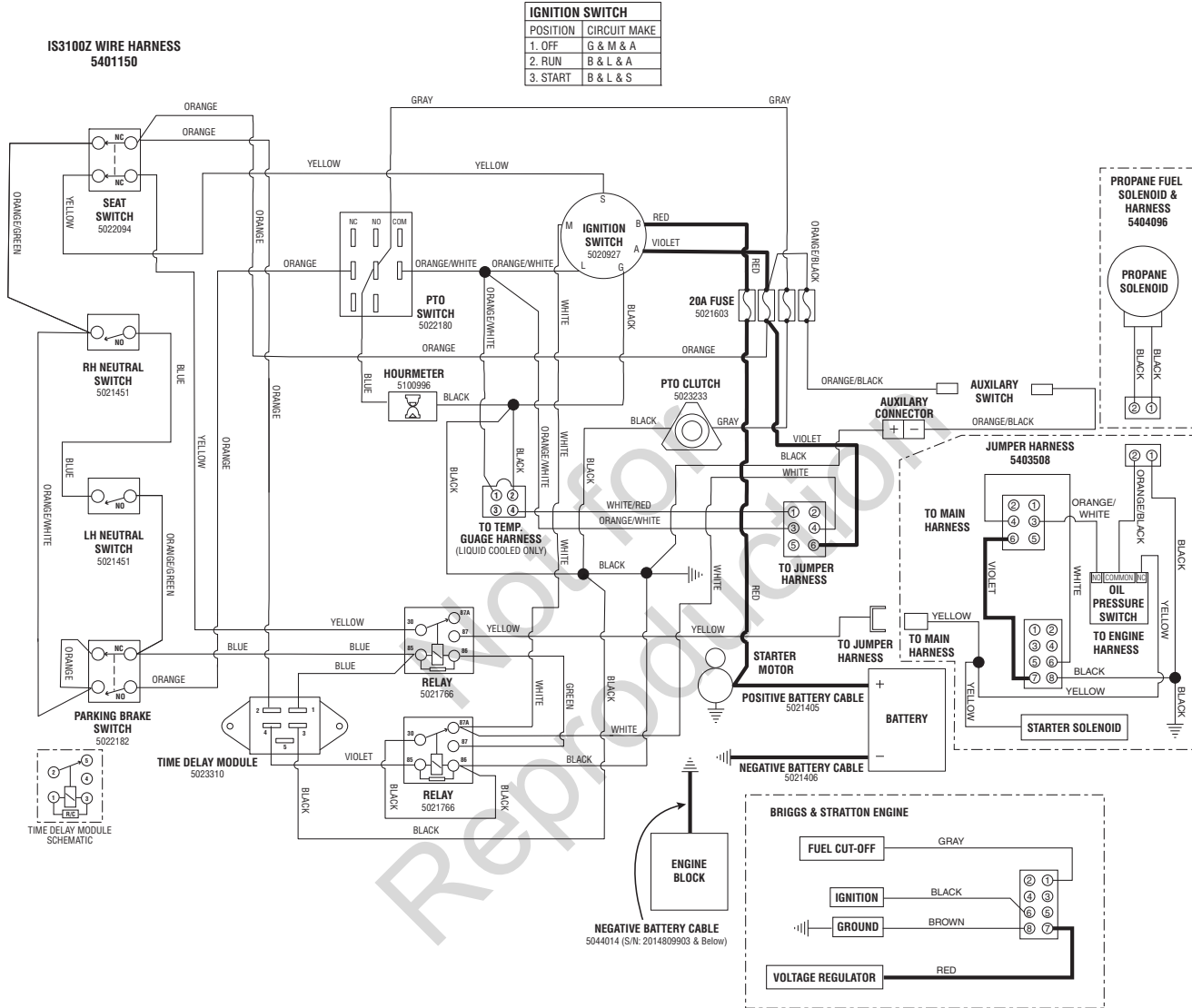
Supplemental Parts List - Fuel Supply Group (S/N: 2014953567 & Above)



Supplemental Parts List - Fuel Supply Group (S/N: 2014953567 & Above)

REF NO.	PART NO.	QTY	DESCRIPTION
1	5101707	2	TANK, ALUMINUM, PROPANE
2	5023268	4	CLAMP, HOSE
3	5050860X16	1	HOSE, 3/8" PUSH-LOCK, 16.00"
4	5050861X25	1	WIRE LOOM, 5/8" ID, 25" LONG
5	5101430	1	RELIEF VALVE, PROPANE
6	5101570	2	FITTING, 1/4 NPT STREET ELBOW, PLATED STEEL
7	5101440	2	FITTING, 3/8 HOSE BARB X 1/4NPT, BRASS
8	5023267	1	ADAPTER, 90 DEG, 9/16-3/8 BARB
9	5101433	1	HOSE, LOW PRESSURE FUEL X 33.25, PROPANE
10	5050860X15	1	HOSE, 3/8" PUSH-LOCK, 15.00"
11	5050861X11	1	WIRE LOOM, 5/8" ID, 11" LONG
12	5101452	1	FITTING, 1/4NPT X 45, STREET ELBOW BRASS
13	5101423	1	REGULATOR, PROPANE (INCLUDES REF NO 20 & 28)
14	5101429	2	COUPLING, PROPANE TANK
15	5101436	3	FITTING, TEE, 1/4 NPTM X 45 ELBOW BRASS
16	5103140	1	HOSE, LH PROPANE
17	5101437	1	FITTING, 1/4 NPTM STRAIGHT, BRASS
18	5103139	1	FITTING, MALE PIPE CROSS
19	5021164	2	CLAMP, #10 HOSE, STAINLESS
20	5101569	2	FITTING, 3/8NPT-1/2 HOSE, BARB PLATED STEEL (SV)
21	5101439	1	FITTING, 1/4 HOSE BARB X 1/8NPT, BRASS
22	5100384X32	1	LOOM, CONVOLUTED SPLIT, 1" ID
23	5404096	1	VALVE, LOCK OFF, ASSEMBLY
24	5101431	1	HOSE, RH FUEL SUPPLY ASM X 36, PROPANE
25	5023173	3	CLAMP, HOSE, 1.000 DIA
26	5404026	1	HOSE, 1/4 ID VAC HOSE X 29, PROPANE
27	5020835	1	CLAMP, HOSE, EXTERNAL, 1/2 - RED
28	5101423X1	1	SOFT PLUG, IMPCO PROPANE REGULATOR (Not Shown - SV)
29	5050840X4	1	BLACK Q TRIM, 4.00 LONG (Not Shown)

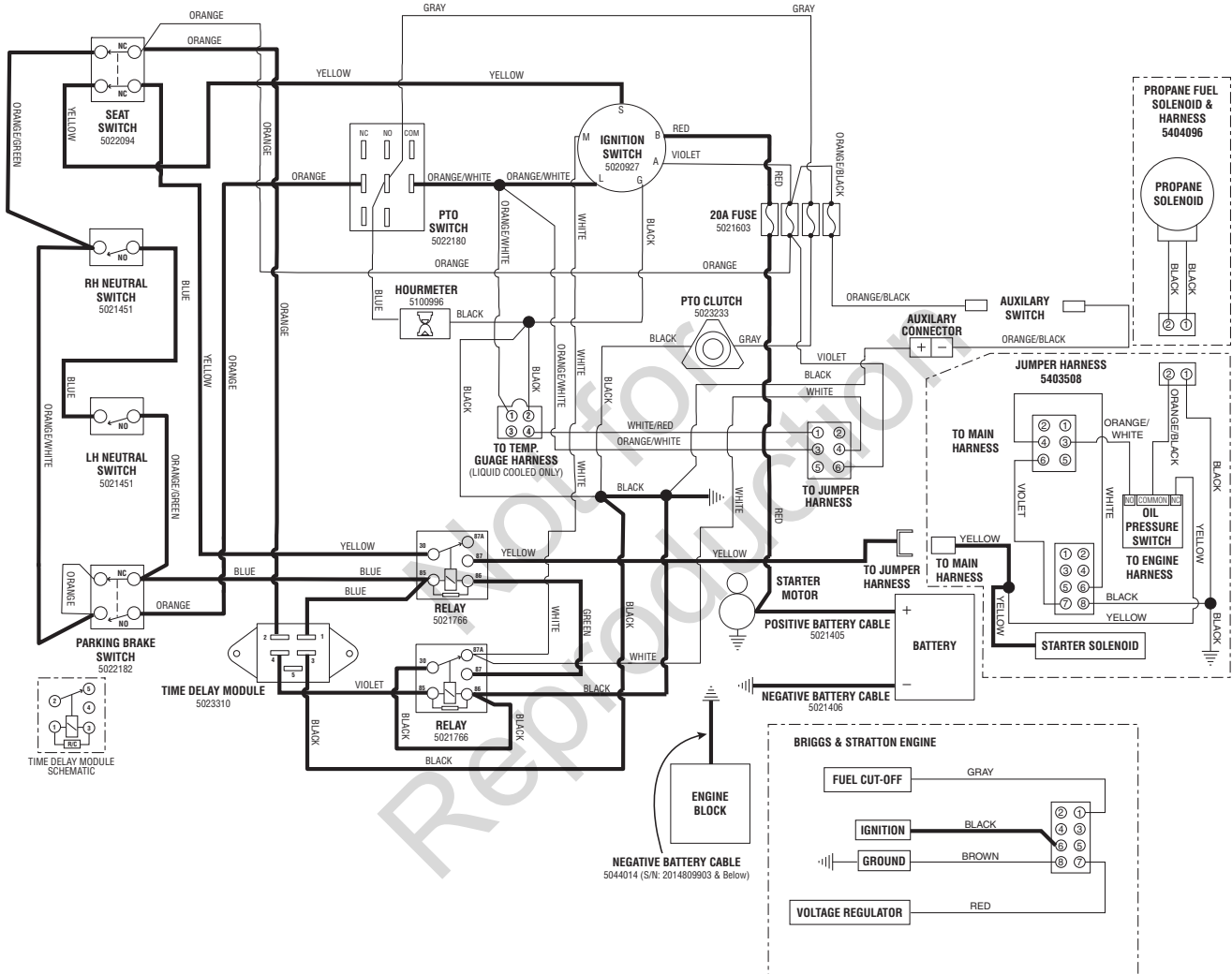
Supplemental Parts List - Electrical Schematic - Charging Circuit



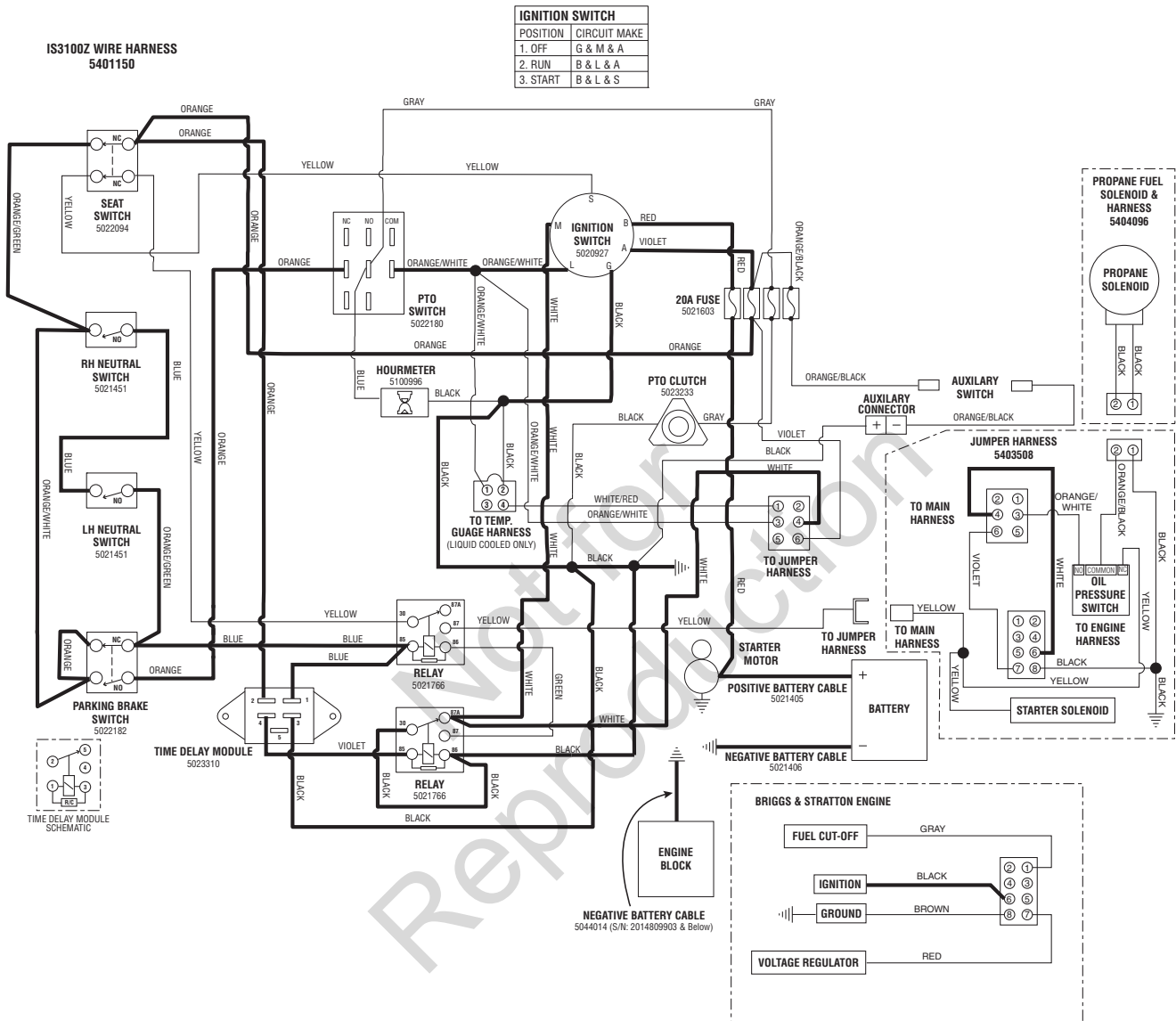
Supplemental Parts List - Electrical Schematic - Cranking Circuit

IS3100Z WIRE HARNESS
5401150

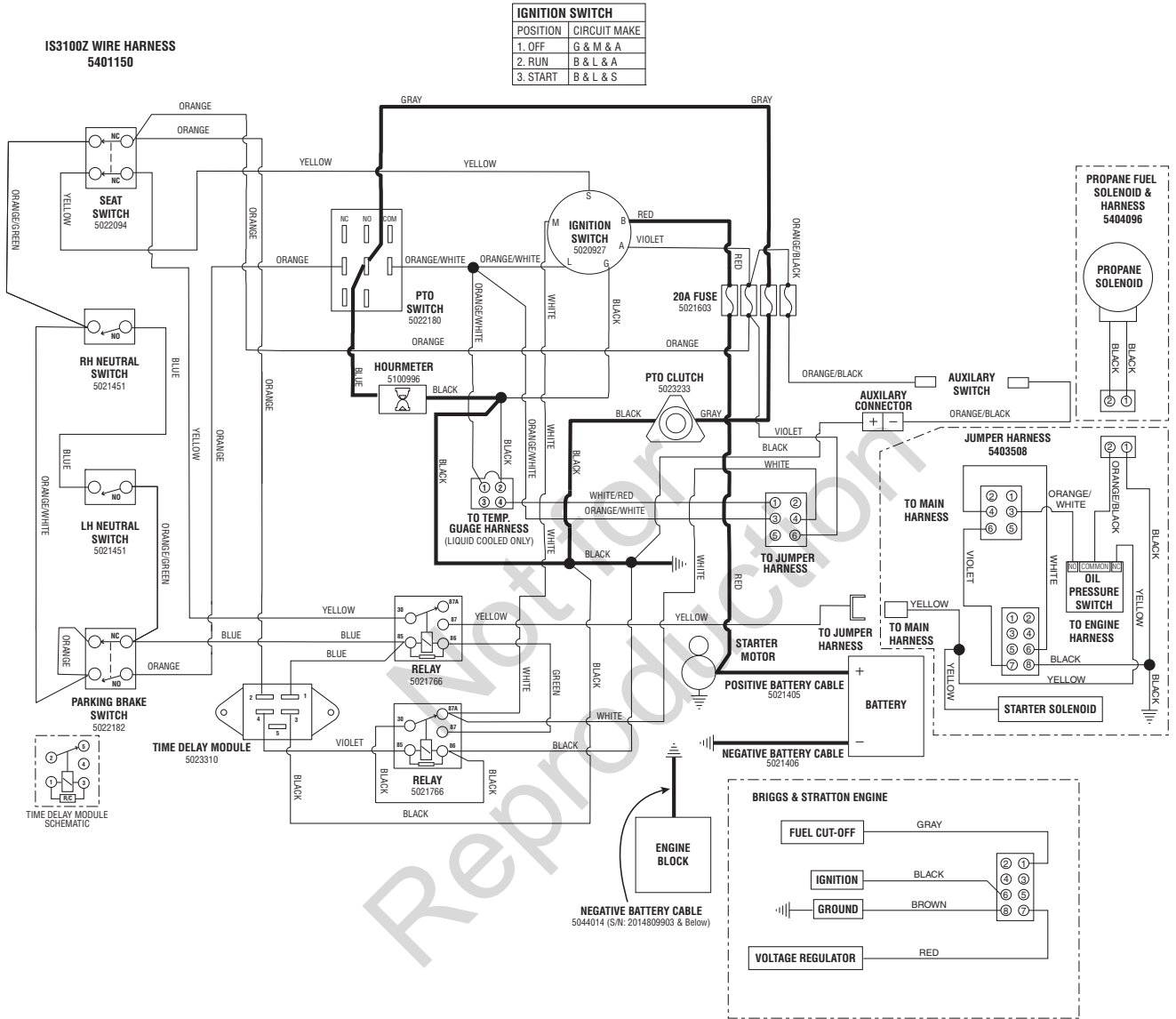
IGNITION SWITCH	
POSITION	CIRCUIT MAKE
1. OFF	G & M & A
2. RUN	B & L & A
3. START	B & L & S



Supplemental Parts List - Electrical Schematic - Ignition Grounding Circuit / Operator Presence



Supplemental Parts List - Electrical Schematic - PTO Clutch Circuit



Not for
Reproduction



Supplemental Setup and Operating Instructions and Illustrated Parts Lists for Ferris Zero-Turn Riding Mowers Using Propane Fuel

Not for
Reproduction

Briggs & Stratton Power Products Group, LLC.
5375 N. Main Street
Munnsville, NY 13409-4003
www.ferrisindustries.com

Free Manuals Download Website

<http://myh66.com>

<http://usermanuals.us>

<http://www.somanuals.com>

<http://www.4manuals.cc>

<http://www.manual-lib.com>

<http://www.404manual.com>

<http://www.luxmanual.com>

<http://aubethermostatmanual.com>

Golf course search by state

<http://golfingnear.com>

Email search by domain

<http://emailbydomain.com>

Auto manuals search

<http://auto.somanuals.com>

TV manuals search

<http://tv.somanuals.com>