

# FESTOOL

TDK 12  
TDK 15.6



## Instruction manual

Page 2 - 7

**IMPORTANT:** Read and understand all instructions before using.

**Cordless Drill /  
Screwdriver**

## Guide d'utilisation

Page 8 - 13

**IMPORTANT:** Lire et comprendre toutes les instructions avant de démarrer les travaux.

**Perceuse visseuse á  
accumulateur**

## Manual de instrucciones

Página 14 - 19

**IMPORTANTE:** Lea y comprende todas las instrucciones antes de usar.

**Taladradora-atornilladora  
con acumuladores**

## GENERAL SAFETY RULES

**⚠WARNING** Read and understand all instructions. Failure to follow all instructions listed below, may result in electric shock, fire and/or serious personal injury.

### SAVE THESE INSTRUCTIONS

#### Work area

- 1 Keep your work area clean and well lit.** Cluttered benches and dark areas invite accidents.
- 2 Do not operate tools in explosive atmospheres, such as in the presence of flammable liquids, gases, or dust.** Tools create sparks which may ignite the dust or fumes.
- 3 Keep bystanders, children, and visitors away while operating a tool.** Distractions can cause you to lose control.

#### Electrical safety

- 4 A battery operated tool with integral batteries or a separate battery pack must be recharged only with the specified charger for the battery.** A charger that may be suitable for one type of battery may create a risk of fire or electric shock when used with another battery.
- 5 Use battery operated tool only with specifically designated battery pack.** Use of any other batteries may create a risk of fire.

#### Personal safety

- 6 Stay alert, watch what you are doing and use common sense when operating a tool. Do not use while tired or under the influence of drugs, alcohol, or medication.** A moment of inattention while operating tools may result in serious personal injury.
- 7 Dress properly. Do not wear loose clothing or jewellery. Contain long hair. Keep your hair, clothing, and gloves away from moving parts.** Loose clothes, jewellery, or long hair can be caught in moving parts.
- 8 Avoid accidental starting. Ensure switch is in the off position before plugging in or inserting battery pack.** Carrying tools with your finger on the switch or energising tools that have the switch on invites accidents.
- 9 Remove adjusting keys or wrenches before turning the tool on.** A wrench or key that is left attached to a rotating part of the tool may result in personal injury.
- 10 Do not overreach. Stand on both feet and keep proper footing and balance at all times.** Proper footing and balance enables better control of the tool in unexpected situations.
- 11 Use safety equipment. Always wear eye protection.** Dust mask, non-skid safety shoes, hard hat, or hearing protection must be used for appropriate conditions.

**12 If devices are provided for the connection of dust extraction and collection facilities ensure these are connected and properly used.** Use of these devices can reduce dust related hazards.

#### Tool use and care

- 13 Use clamps or other practical way to secure and support the workpiece to a stable platform.** Holding the work by hand or against your body is unstable and may lead to loss of control.
- 14 Do not force tool. Use the correct tool for your application.** The correct tool will do the job better and safer at the rate for which it is designed.
- 15 Do not use tool if switch does not turn it on or off.** Any tool that cannot be controlled with the switch is dangerous and must be repaired.
- 16 Disconnect battery pack from tool before making any adjustments, changing accessories, or storing the tool.** Such preventive safety measures reduce the risk of starting the tool accidentally.
- 17 Store idle tools out of reach of children and other untrained persons.** Tools are dangerous in the hands of untrained users.
- 18 When battery pack is not in use, keep it away from other metal objects like: paper clips, coins, keys, nails, screws, or other small metal objects that can make a connection from one terminal to another.** Shorting the battery terminals together may cause sparks, burns, or a fire.
- 19 Maintain tools with care. Keep cutting tools sharp and clean.** Properly maintained tools, with sharp cutting edges are less likely to bind and are easier to control.
- 20 Check for misalignment or binding of moving parts, breakage of parts, and any other condition that may affect the tools operation. If damaged, have the tool serviced before using.** Many accidents are caused by poorly maintained tools.
- 21 Use only accessories that are recommended by the manufacturer for your model.** Accessories that may be suitable for one tool, may become hazardous when used on another tool.

#### Service

- 22 Tool service must be performed only by qualified repair personnel.** Service or maintenance performed by unqualified personnel could result in a risk of injury.
- 23 When servicing a tool, use only identical replacement parts. Follow instructions in the Maintenance section of this manual.** Use of unauthorised parts or failure to follow Maintenance instructions may create a risk of electric shock or injury.

**⚠ WARNING** Various dust created by power sanding, sawing, grinding, drilling and other construction activities contains chemicals known (to the State of California) to cause cancer, birth defects or other reproductive harm. Some examples of these chemicals are:

- lead from lead-based paints,
- crystalline silica from bricks and cement and other masonry products, and
- arsenic and chromium from chemically-treated lumber.

The risk from these exposures varies, depending on how often you do this type of work.



To reduce your exposure to these chemicals: work in a well ventilated area, and work with approved safety equipment, such as dust masks that are specially designed to filter out microscopic particles.

## Technical data

### Cordless drill/screwdriver

		<b>TDK 12</b>	<b>TDK 15.6</b>
Motor voltage		12 V	15.6 V
Idle-running speed	<ul style="list-style-type: none"> <li>• 1. speed</li> <li>• 2. speed</li> </ul>	0 – 430 rpm 0 – 1400 rpm	0 - 450 rpm 0 - 1500 rpm
Max torque	<ul style="list-style-type: none"> <li>• Soft case</li> <li>• Hard case</li> </ul>	20 Nm 28 Nm	25 Nm 36 Nm
Adjustable torque	<ul style="list-style-type: none"> <li>• 1. speed</li> <li>• 2. speed</li> </ul>	2 – 7 Nm 0.5 – 2.5 Nm	2 - 7 Nm 0.5 - 2.5 Nm
Chuck capacity		1.5 – 13 mm	1.5 - 13 mm
Max. drill diameter for metal / wood		14 mm / 25 mm	16 mm / 35 mm
Tool fitting in chuck		1/4 "	1/4 "
Weight with battery pack		2.0 kg (4.4 lbs)	2.3 kg (5.1 lbs)

### Charger

		<b>LC 45</b>
Supply voltage (input) / line frequency		120 V ~ / 60 Hz
Charging voltage (output)		7.2 - 18 V (DC)
Charging current	<ul style="list-style-type: none"> <li>• Quick charge</li> <li>• Compensation charge, pulsating</li> </ul>	max. 3 A app. 0.06 A
Charging time for	<ul style="list-style-type: none"> <li>• NiCd 2.0 Ah</li> <li>• NiCd 2.4 Ah</li> <li>• NiMH 3.0 Ah</li> </ul>	app. 45 min app. 50 min app. 70 min

### Battery pack

	<b>BPS 12 NiCd 2.4</b>	<b>BPS 12 NiMH 3.0</b>	<b>BPS 15.6 NiCd 2.4</b>	<b>BPS 15.6 NiMH 3.0</b>
Order number	492 268	491 821	492 269	491 823
Voltage	12 V	12 V	15.6 V	15.6 V
Capacity	2.4 Ah	3.0 Ah	2.4 Ah	3.0 Ah
Temp. range for charging	5 - 45 °C			
Monitoring of charge	by means of NTC thermistor			
Weight	0.73 kg (1.6 lbs)	0.75 kg (1.7 lbs)	0.90 kg (2.0 lbs)	0.92 kg (2.0 lbs)

## Symbols

V	volts
A	amperes
Hz	hertz
W	watt
~	alternating current
n <sub>0</sub>	no load speed
⊠	Class II Construction
rpm	revolutions per minute

## Intended use

Cordless drills are suitable for drilling metal, wood, plastics and similar materials, as well as tightening and screwing in screws (into wood, up to a diameter of 6 mm).

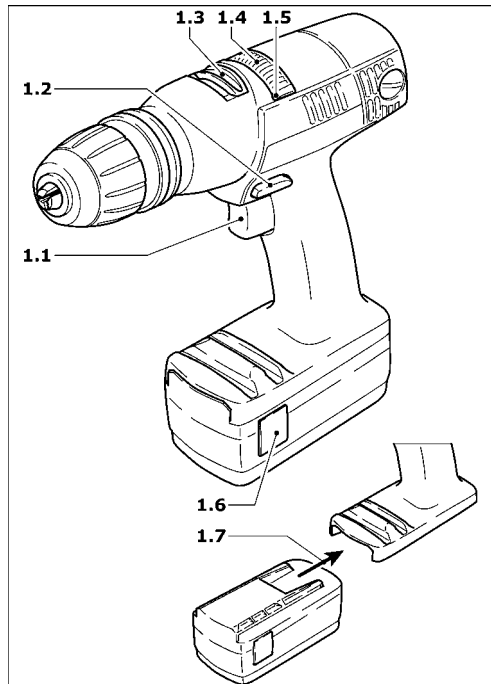
The LC 45 battery charger is designed for recharging the battery pack listed.

**⚠ WARNING** The user will be liable for damage due to improper use.

## Wall mounting LC 45

The charger LC 45 has two longitudinal slots on its rear by which it can be suspended on walls using two screws (e.g. button-headed or flat head screw with a shaft diameter of 5 mm). Screw both screws into the wall 96 mm apart until the screwhead is protruding from the wall by approx. 4 mm.

## Machine settings



### Exchanging the battery pack

- Removing battery pack: Press the two buttons (1.6) and slide the battery pack forwards to remove.
- Inserting battery pack: Slide the battery pack into the holder on the underside of the handle until it latches into place (1.7).

### To change the direction of rotation

The selector button (1.2) determines the direction of rotation.

- Turn button from right to left = clockwise rotation.
- Turn button from left to right = anticlockwise rotation.
- Selector button in central position = circuit interlock.

### Shifting speeds

**CAUTION** Change only when completely stopped!

Using the shift lever (1.3), the speed can be changed.

- 1. Speed: Lever forward - Figure 1 is visible.
- 2. Speed: Lever backwards - Figure 2 is visible.

### Torque adjustment

By turning the adjustment ring (1.4) the required torque can be adjusted. The arrow (1.5) aligns with the adjusted state.

#### Drilling:

Drilling symbol on adjustment ring aligns with the arrow = maximum torque.

#### Screwing:

Torque corresponding to setting:

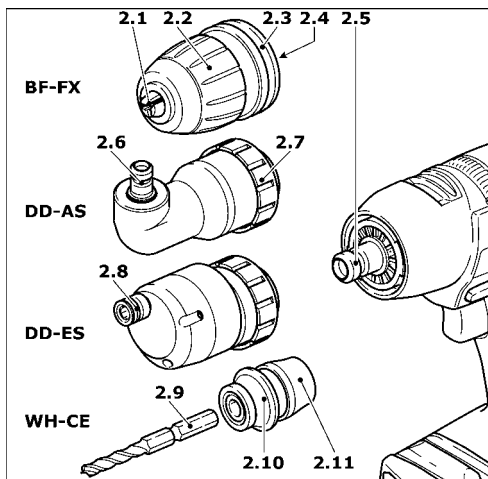
- Position 1 = low torque
- Position 20 = high torque

### Operation

Turn on by pressing button (1.1). Depending on the pressure exerted on the button, the adjustment of running speed can be varied infinitely. Turn off by releasing the button (1.1). After releasing the button, the chuck is stopped and therefore, after-running of the equipment is prevented.

### Tool holding fixture, attachments

**WARNING** Make sure that the machine is switched off and the battery block has been removed before changing the tool holding fixture, attachments and tools.



### Chuck BF-FX

The chuck is used to clamp drills and bits.

#### Fitting:

- Place the chuck on the drill spindle (2.5) and twist until the hexagon key (2.4) of the chuck latches into the hexagon socket of the drill spindle.

- Pull the unlocking ring (2.3) forwards, press the chuck onto the drill spindle up to the stop and release the unlocking ring.

#### Removal:

- Pull the unlocking ring forwards and remove the chuck.

#### Changing tools:

- Turn the clamping sleeve (2.2) anti-clockwise to open the clamping jaws (2.1)  
(Note: the spindle is automatically locked when the machine is switched off).
- Insert the tool into the chuck.
- Clamp the tool by turning the clamping sleeve clockwise. Always make sure that the tool is clamped centrally in the chuck.

### Angle attachment DD-AS

The angle attachment permits work (drilling, screwing) vertical to the machine's longitudinal axis.

#### Fitting:

- Place the angle attachment on the drill spindle and turn until it catches in the desired position  
(Note: The angle attachment can be fitted in 16 different angle settings).
- Lock the angle attachment by turning the fastening ring (2.7) tightly clockwise.

#### Removal:

- Turn the fastening ring anti-clockwise up to the stop and remove the angle attachment.

#### Fitting / removal of chuck on angle attachment:

The chuck is fitted on the shaft (2.6) of the angle attachment in the same way as on the drill spindle of the machine.

### Eccentric attachment DD-ES

The eccentric attachment is used to hold bits. It allows screwing close to edges.

#### Fitting / removing the eccentric attachment:

The eccentric attachment is fitted / removed in the same way as the angle attachment (see DD-AS).

#### Changing tools:

Pull the unlocking ring (2.8) back and remove the tool and/or insert the new tool.

### CENTROTEC WH-CE toolholder

The CENTROTEC toolholder enables rapid changes of tools with CENTROTEC shafts.

**⚠ WARNING** Danger of injury! When changing tools, handle the tool and its sharp cutters with special care and wear protective gloves, if necessary.

**⚠ CAUTION** Do not fit CENTROTEC tools at the round shaft section in a conventional chuck to prevent damage to the shaft.

#### Fitting

- Pull the release ring (2.11) forwards, place the toolholder as far as it will go on the drill spindle (2.5) and let go of the release ring.

#### Removal

- Pull the release ring forwards and take off the toolholder.

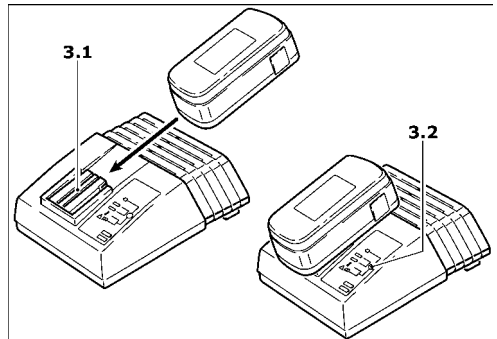
#### Changing tools

- To insert or remove a tool with CENTROTEC shaft, pull the green release ring (2.10) back. On inserting the tool, turn it until its hex shank arbour (2.9) locks in place in the hexagonal shank of the drill spindle, and push the tool into the toolholder as far as it will go.

### Tool holding fixture in the drill spindle

Bits can be fitted directly in the hexagon socket holder of the drill spindle (2.5) to make the machine lighter and shorter.

### Charge battery pack



To load the battery pack, push it into the holder (3.1) on the charger up to the stop. Perform this in reverse to remove the battery pack from the charger.

The battery type used (NiCd or NiMH) is detected automatically. Charging is controlled by a microprocessor.

If a warm NiMH battery pack (>37° C) is inserted, charging will only be carried out at a lower charge current. In this case, the charging time is extended.

**The LED (3.2) indicates the respective charging state of the charger.**

LED yellow – steady:

charger is ready for use.

LED green – flashing:

battery pack being charged.

LED green – steady:

battery pack fully charged, conservation charge on.

LED red – flashing:

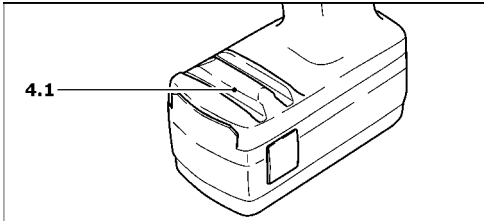
general malfunction, e. g. full contact not being made, short-circuit, battery pack faulty.

LED red – steady:

temperature of battery pack is outside permissible limit.

**WARNING** It is essential that you read the instructions in the Chapter „Maintenance - Care“.

### Bit storage well



You can insert several bits or bit extensions into the bit magazine (4.1) from the side.

The magnetic attachment allows you to pick up screws and similar objects.

### Maintenance and care

**CAUTION** Pay attention to the following instructions. Otherwise there is a risk of damage to the tool, charger or battery pack.

- Repairs may only be performed by authorised technicians. LC 45 charging device: Even after disconnection from the mains, there is still a high capacitor voltage on the power output component on the inside of the device.
- Keep the air vents of the electronic equipment and the charger clean to guarantee the air circulation for cooling.
- No metal objects (metal chips) should enter the charger at the contact points as well as through the cooling slits into the equipment (danger of short circuit).
- Only use original Festool battery packs. Do not use spent and recycled battery packs. The user shall be liable for damages if Festool original battery packs are not used.
- Keep the connection contacts of electronic equipment, charger and battery pack clean.
- By keeping the battery pack in a ready for use charger, the battery pack will be kept in a state of readiness by float charging conservation.
- Do not keep discharged battery pack (maximum one month) attached to charger whenever charger is detached from the power supply (danger of deep discharging).
- A new battery pack or a battery pack not used for a longer period of time reaches its full capacity after about 5 charging and discharging cycles.
- Battery packs should, before charging, be fully discharged if possible. Continuous starting of the charging process shortens the lifespan of the batteries.
- A considerably reduced time of operation per charging shows that the battery pack is used up and should be replaced by a new one.

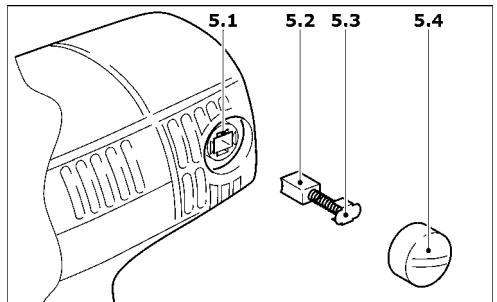
- NiCd battery packs that are not used for longer periods should be stored in a discharged state.

### Special instructions for NiMH battery packs:

- The output of NiMH battery packs drops noticeably at ambient temperatures below 0° C or above 45° C.
- Do not overload the tool (do not load the tool excessively so that it comes to a standstill).
- Even if NiMH battery packs are not used, recharge them approx. every 4 months so that they retain their full capacity.
- NiMH battery packs should be left for 60 min. in the charger after every 10th fast charge to compensate any differences in capacity between the cells.
- Because NiMH battery packs discharge automatically, store them preferably at ambient temperatures of between 0° C and 25° C.

### Changing carbon brushes

If the carbon brushes have worn to a length of less than 6 mm, this may reduce the performance of the machine or cause the machine to stop. In this case, the brushes (5.2) should be replaced.



- Unscrew the cover (5.4) and remove the worn brushes.
- Push in the retaining plate (5.3) on the new carbon brushes until it latches into the notches (5.1) and screw the covers back on.
- Operate the machine in idling state for a few minutes so that the carbon brushes attain optimal contact.

### Recycling battery packs

**Never throw spent battery packs into domestic waste containers!** Return spent or defective battery packs to dealers, the Festool after-sales service department or approved waste disposal facilities. This ensures that they are correctly recycled.

### Accessories, tools

**WARNING** For safety reasons, only use original Festool accessories and tools!

The accessory and tool order number can be found in your Festool catalog or on the Internet at [www.festool-usa.com](http://www.festool-usa.com).

## Warranty

### Conditions of 1+2 Warranty

You are entitled to a free extended warranty (1 year + 2 years = 3 years) for your Festool power tool. Festool shall be responsible for all shipping costs during the first year of the warranty. During the second and third year of the warranty the customer is responsible for shipping the tool to Festool. Festool will pay for return shipping to the customer using UPS Ground Service. All warranty service is valid 3 years from the date of purchase on your receipt or invoice.

### Festool Limited Warranty

This warranty is valid on the pre-condition that the tool is used and operated in compliance with the Festool operating instructions. Festool warrants, only to the original consumer purchaser, that the specified tool will be free from defects in materials and workmanship for a term of one year from the date of procurement. Festool makes no other warranty, express or implied, for Festool portable power tools. No agent, representative, distributor, dealer or employee of Festool has the authority to increase or otherwise change the obligations or limitations of this warranty. The obligations of Festool in its sole discretion under this warranty shall be limited to the repair or replacement of any Festool portable power tool that is found to be defective as packaged with the User Manual.

Excluded from coverage under this warranty are: normal wear and tear; damages caused by misuse, abuse or neglect; damage caused by anything other than defects in material and workmanship. This warranty does not apply to

accessory items such as circular saw blades, drill bits, router bits, jigsaw blades, sanding belts, and grinding wheels. Also excluded are "wearing parts", such as carbon brushes, lamellas of air tools, rubber collars and seals, sanding discs and pads, and batteries.

Festool portable power tools requiring replacement or repair are to be returned with the receipt of purchase to Festool (call 800-554-8741 for address details).

**IN NO EVENT SHALL FESTOOL BE LIABLE FOR ANY CONSEQUENTIAL OR INCIDENTAL DAMAGES FOR BREACH OF THIS OR ANY OTHER WARRANTY, EXPRESSED OR IMPLIED WHATSOEVER. ALL WARRANTIES IMPLIED BY STATE LAW, INCLUDING THE IMPLIED WARRANTIES OF MERCHANTABILITY AND FITNESS FOR A PARTICULAR PURPOSE, ARE HEREBY LIMITED TO THE DURATION OF THREE YEARS.**

Some states in the U.S. and some Canadian provinces do not allow the limitations on how long an implied warranty lasts, so the above limitation may not apply to you. With the exception of any warranties implied by state or province law as hereby limited, the foregoing express limited warranty is exclusive and in lieu of all other warranties, guarantees, agreements and similar obligations of Festool.

This warranty gives you specific legal rights and you may also have other rights which vary from state to state in the U.S. and province to province in Canada.

## RÈGLES DE SÉCURITÉ GÉNÉRALES

**AVERTISSEMENT** Vous devez lire et comprendre toutes les instructions. Le non-respect, même partiel, des instructions ci-après entraîne un risque de choc électrique, d'incendie et/ou de blessures graves.

### CONSERVEZ CES INSTRUCTIONS

#### Aire de travail

**1** Veillez à ce que l'aire de travail soit propre et bien éclairée. Le désordre et le manque de lumière favorisent les accidents.

**2** N'utilisez pas d'outils électriques dans une atmosphère explosive, par exemple en présence de liquides, de gaz ou de poussières inflammables. Les outils électriques créent des étincelles qui pourraient enflammer les poussières ou les vapeurs.

**3** Tenez à distance les curieux, les enfants et les visiteurs pendant que vous travaillez avec un outil électrique. Ils pourraient vous distraire et vous faire une fausse manœuvre.

#### Sécurité électrique

**4** Un outil à bloc-batterie amovible ou a batterie intégrée ne doit être rechargé qu'avec le chargeur prévu pour la batterie. Un chargeur qui convient à tel type de batterie peut présenter un risque d'incendie avec tel autre de batterie.

**5** N'utilisez un outil qu'avec un bloc-batterie conçu spécifiquement pour lui. L'emploi d'un autre bloc-batterie peut créer un risque d'incendie.

#### Sécurité des personnes

**6** Restez alerte, concentrez-vous sur votre travail et faites preuve de jugement. N'utilisez pas un outil électrique si vous êtes fatigué ou sous l'influence de drogues, d'alcool ou de médicaments. Un instant d'inattention suffit pour entraîner des blessures graves.

**7** Habitez-vous convenablement. Ne portez ni vêtements flottants ni bijoux. Calez les cheveux longs. N'approchez jamais les cheveux, les vêtements ou les gants des pièces en mouvement. Des vêtements flottants, des bijoux ou des cheveux longs risquent d'être happés par des pièces en mouvement.

**8** Méfiez-vous d'un démarrage accidentel. Avant de brancher l'outil, assurez-vous que son interrupteur est sur ARRÊT. Le fait de transporter un outil avec le doigt sur la détente ou de brancher un outil dont l'interrupteur est en position MARCHE peut mener tout droit à un accident.

**9** Enlevez les clés de réglage ou de serrage avant de démarrer l'outil. Une clé laissée dans une pièce tournante de l'outil peut provoquer des blessures.

**10** Ne vous penchez pas trop en avant. Maintenez un bon appui et restez en équilibre

en tout temps. Une bonne stabilité vous permet de mieux réagir à une situation inattendue.

**11** Utilisez des accessoires de sécurité. Portez toujours des lunettes ou une visière. Selon les conditions, portez aussi un masque anti-poussière, des bottes de sécurité antidérapantes, un casque protecteur et/ou un appareil antibruit.

**12** Assurez-vous que les dispositifs existants sont bien raccordés à l'aspiration et au captage des poussières, et qu'ils sont correctement utilisés. L'utilisation de ces dispositifs permet de réduire les dangers provenant des poussières.

#### Utilisation et entretien des outils

**13** Immobilisez le matériau sur une surface stable au moyen de brides ou de toute autre façon adéquate. Le fait de tenir la pièce avec la main ou contre votre corps offre une stabilité insuffisante et peut amener un dérapage de l'outil.

**14** Ne forcez pas l'outil. Utilisez l'outil approprié à la tâche. L'outil correct fonctionne mieux et de façon plus sécuritaire. Respectez aussi la vitesse de travail qui lui est propre.

**15** N'utilisez pas un outil si son interrupteur est bloqué. Un outil que vous ne pouvez pas commander par son interrupteur est dangereux et doit être réparé.

**16** Retirez le bloc-batterie avant d'effectuer un réglage, de changer d'accessoire ou de ranger l'outil. De telles mesures pré-ventives de sécurité réduisent le risque de démarrage accidentel de l'outil.

**17** Rangez les outils hors de la portée des enfants et d'autres personnes inexpérimentées. Les outils sont dangereux dans les mains d'utilisateurs novices.

**18** Lorsque le bloc-batterie n'est pas en service, tenez-le à l'écart d'autres objets métalliques (trombones, pièces de monnaie, clés, clous, vis, etc.) susceptibles d'établir un contact électrique entre les deux bornes. La mise en court-circuit des bornes de la batterie peut produire des étincelles et constitue un risque de brûlures ou d'incendie.

**19** Prenez soin de bien entretenir les outils. Les outils de coupe doivent être toujours bien affûtés et propres. Des outils bien entretenus, dont les arêtes sont bien tranchantes, sont moins susceptibles de coincer et plus faciles à diriger.

**20** Soyez attentif à tout désalignement ou coincement des pièces en mouvement, à tout bris ou à toute autre condition préjudiciable au bon fonctionnement de l'outil. Si vous constatez qu'un outil est endommagé, faites-le réparer avant de vous en servir. De nombreux accidents sont causés par des outils en mauvais état.

**21** N'utilisez que des accessoires que le fabricant recommande pour votre modèle d'outil. Certains accessoires peuvent convenir à un outil, mais être dangereux avec un autre.



## Réparation

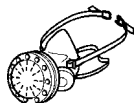
### 22 La réparation des outils électriques doit être confiée à un réparateur qualifié.

L'entretien ou la réparation d'un outil électrique par un amateur peut avoir des conséquences graves.

**23 Pour la réparation d'un outil, n'employez que des pièces de rechange d'origine. Suivez les directives données à la section "Réparation" de ce manuel.** L'emploi de pièces non autorisées ou le non-respect des instructions d'entretien peut créer un risque de choc électrique ou de blessures.

**⚠ AVERTISSEMENT** Certaines poussières créées par le ponçage mécanique, le sciage, le meulage, le perçage et autres activités liées à la construction contiennent des substances chimiques connues (dans l'État de la Californie) comme pouvant causer le cancer, des anomalies congénitales ou représenter d'autres dangers pour la reproduction. Voici quelques exemples de telles substances:

- plomb provenant de peintures à base de plomb,
- silice cristallisée utilisée dans les briques, le ciment et autres matériaux de maçonnerie, et
- arsenic et chrome du bois d'œuvre traité avec un produit chimique.



Le risque d'exposition à de tels produits varie selon la fréquence à laquelle vous faites ce genre de travail. Pour réduire les risques d'exposition à ces substances chimiques : travaillez dans un endroit adéquatement ventilé et utilisez un équipement de sécurité approuvé, tel que masques antipoussières spécialement conçus pour filtrer les particules microscopiques.

## Caractéristiques techniques

### Perceuse-visseuse

Tension du moteur	
Vitesse à vide:	<ul style="list-style-type: none"> <li>• 1 ère vitesse</li> <li>• 2 ème vitesse</li> </ul>
Couple max.:	<ul style="list-style-type: none"> <li>• Vissage faciles</li> <li>• Vissage difficiles</li> </ul>
Réglage de couple:	<ul style="list-style-type: none"> <li>• 1 ère vitesse</li> <li>• 2 ème vitesse</li> </ul>
Capacité mandrin	
Maxi capacité de perçage, métal / bois	
Fixation de la broche	
Poids avec accumulateur	

### TDK 12

12 V
0 – 430 tr/min
0 – 1400 tr/min
20 Nm
28 Nm
2 – 7 Nm
0.5 – 2.5 Nm
1.5 – 13 mm
14 mm / 25 mm
1/4 "
2.0 kg (4.4 lbs)

### TDK 15.6

15.6 V
0 - 450 tr/min
0 - 1500 tr/min
25 Nm
36 Nm
2 - 7 Nm
0.5 - 2.5 Nm
1.5 - 13 mm
16 mm / 35 mm
1/4 "
2.3 kg (5.1 lbs)

### Chargeur

Tension / fréquence secteur (entrée)	
Tension de charge (sortie)	
Courant de charge:	<ul style="list-style-type: none"> <li>• Charge rapide</li> <li>• Charge de maintien à impulsions</li> </ul>
Durée de charge pour:	<ul style="list-style-type: none"> <li>• NiCd 2.0 Ah</li> <li>• NiCd 2.4 Ah</li> <li>• NiMH 3.0 Ah</li> </ul>

### LC 45

120 V ~ / 60 Hz
7.2 - 18 V (DC)
3 A max.
0.06 A env.
45 min env.
50 min env.
70 min env.

### Accumulateur

	BPS 12 NiCd 2.4	BPS 12 NiMH 3.0	BPS 15.6 NiCd 2.4	BPS 15.6 NiMH 3.0
Référence	492 268	491 821	492 269	491 823
Tension	12 V	12 V	15.6 V	15.6 V
Capacité	2.4 Ah	3.0 Ah	2.4 Ah	3.0 Ah
Plage de temp. de charge	5 - 45 °C			
Contrôle d'état de charge	via résistance NTC			
Poids	0.73 kg (1.6 lbs)	0.75 kg (1.7 lbs)	0.90 kg (2.0 lbs)	0.92 kg (2.0 lbs)

### Symbole

V	Volt
A	Ampère
Hz	Hertz
W	Watt
~	Tension alternative
n <sub>0</sub>	Vitesse de rotation à vide

☐ Classe II conception  
tr/min tours par minute

### Utilisation prévue

La perceuse-visseuse sans fil est adaptée au perçage du métal, du bois, des plastiques et matériaux similaires, ainsi qu'au vissage (vis jusqu'à un diamètre de 6 mm dans le bois).

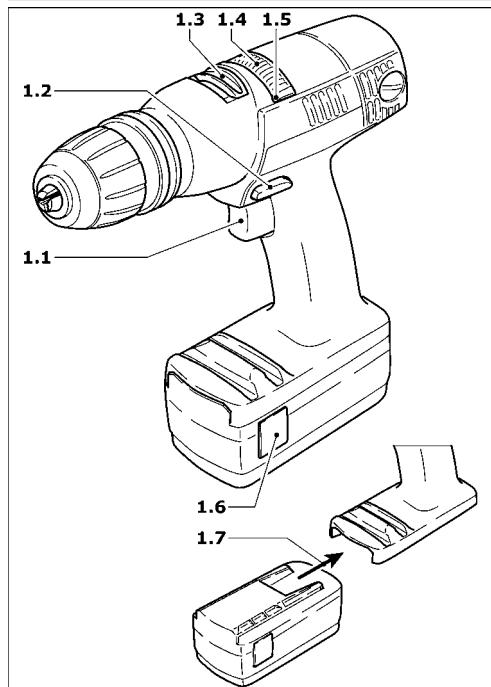
Le chargeur LC 45 convient au chargement de la batterie utilisée.

**AVERTISSEMENT** Seul l'utilisateur est tenu responsable des dommages qui résulteraient d'une utilisation non conforme aux prescriptions.

### Fixation au mur LC 45

Le chargeur LC 45 dispose sur son dos de deux trous oblongs par l'intermédiaire desquels il peut être fixé au mur par deux vis (par ex. vis à tête conique ou ronde avec un diamètre de la partie lisse de la tige de 5 mm). Vissez les deux vis en respectant un intervalle de 96 mm au mur, de manière à ce qu'il reste encore un espace de 4 mm entre la tête de vis et le mur.

### Réglages de la machine



### Remplacer la batterie

- Retrait de la batterie : appuyez sur le deux touches (1.6), et enlevez la batterie en la tirant vers l'avant.
- Installation de la batterie : enfoncez la batterie dans le logement par le dessous de la poignée jusqu'à ce qu'elle soit bien enclenchée (1.7).

### Commutation du sens de rotation

Le bouton de commutation (1.2) sert à déterminer le sens de rotation.

- Bouton poussé de droite vers la gauche = marche à droite.
- Bouton poussé de gauche vers la droite = marche à gauche.

- Bouton en position centrale = verrouillage de mise en marche.

### Commutation de l'engrenage

**MISE EN GARDE** Procéder à la commutation uniquement à l'arrêt ou en fin de roulement!

Le curseur de commutation (1.3) permet de commuter l'engrenage.

- 1ère vitesse: Curseur de commutation vers l'avant - le chiffre 1 est visible.
- 2ème vitesse: Curseur de commutation vers l'arrière - le chiffre 2 est visible.

### Réglage du couple de rotation

Il est possible de faire varier le couple de rotation en tournant la bague de réglage (1.4). La flèche apposée (1.5) indiquera l'état réglé.

#### Perçage

Couple de rotation maximal - la flèche est pointée sur le symbole de perçage

#### Vissage

Couple de rotation en fonction du réglage:

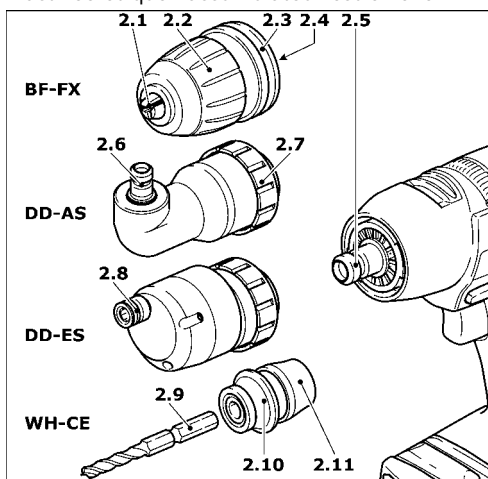
- Position sur 1 = couple de rotation réduit
- Position sur 20 = couple de rotation élevé

### Utilisation

Mise en marche en appuyant sur la touche de commutation (1.1). La vitesse de rotation peut être progressive-ment réglée, en fonction du mode de pression sur la touche de commutation. Mise à l'arrêt en relâchant la touche de commutation (1.1). Une fois que la touche de commutation est relâchée, la broche de travail (mandrin) est freinée, ce qui empêche ainsi une poursuite de rotation par inertie de l'outil.

### Porte-outil, groupes d'appui

**AVERTISSEMENT** A chaque remplacement du porte-outil, du groupe d'appui et de l'outil, assurez-vous que la machine est convenablement inactivée et que l'accumulateur est enlevé.



## Mandrin de perceuse BF-FX

Le mandrin de perceuse sert à serrer les forets et les embouts.

### Montage :

- Placez le mandrin de perceuse sur l'axe (2.5) puis tournez-le jusqu'à ce que le six pans (2.4) du mandrin de perceuse s'enclenche dans le logement de l'axe.
- Tirez la bague de déverrouillage (2.3) vers l'avant, enfoncez le mandrin de perceuse jusqu'à la butée sur l'axe puis relâchez la bague de déverrouillage.

### Démontage :

- Tirez la bague de déverrouillage vers l'avant puis enlevez le mandrin de perceuse.

### Changement d'outil :

- Tournez la douille de serrage (2.2) dans le sens contraire des aiguilles d'une montre pour ouvrir les mâchoires de serrage (2.1) (Remarque : A machine inactivée, l'axe est automatiquement verrouillé).
- Placez l'outil dans le mandrin de perceuse.
- Serrez l'outil à fond en tournant la douille de serrage dans le sens des aiguilles d'une montre. Ce faisant, veuillez toujours à ce que l'outil soit serré au centre du mandrin.

## Appui angulaire DD-AS

L'appui angulaire permet de travailler (percer, visser) à la verticale par rapport à l'axe longitudinal de la machine.

### Montage :

- Placez l'appui angulaire sur l'axe et tournez-le jusqu'à ce qu'il s'enclenche dans la position souhaitée (Remarque : L'appui angulaire peut s'enclencher dans 16 positions angulaires différentes).
- Verrouillez l'appui angulaire en tournant fermement la bague de fixation (2.7) dans le sens des aiguilles d'une montre.

### Démontage :

- Tournez la bague de fixation dans le sens contraire des aiguilles d'une montre jusqu'à la butée puis enlevez l'appui angulaire.

### Montage / démontage du mandrin de perceuse sur l'appui angulaire :

Le mandrin de perceuse doit être fixé de la même manière sur l'arbre (2.6) de l'appui angulaire que sur l'axe de la machine.

## Appui excentrique DD-ES

L'appui excentrique sert à la réception d'embouts. Il permet de visser à proximité du bord.

### Montage / démontage de l'appui excentrique :

Le montage / démontage de l'appui excentrique s'opère de la même manière que pour l'appui angulaire (cf. DD-AS).

### Changement d'outil

- Tirez la bague de déverrouillage (2.8) vers l'arrière puis enlevez l'outil ou resp. mettez un outil en place.

## Porte-outil CENTROTEC WH-CE

Le porte-outil CENTROTEC permet un changement rapide d'outils avec arbre CENTROTEC.

**AVERTISSEMENT** Risque de blessure ! Manipulez très prudemment l'outil aux arêtes tranchantes lorsque vous procédez à un échange d'outil, portez éventuellement des gants de protection.

**MISE EN GARDE** Ne serrez pas les outils CENTROTEC au niveau du manche dans un mandrin de serrage traditionnel pour ne pas endommager le manche.

### Montage

- Tirez la bague de déverrouillage (2.11) vers l'avant, enfoncez le porte-outil jusqu'en butée sur l'axe (2.5) puis relâchez la bague de déverrouillage.

### Démontage

- Tirez la bague de déverrouillage vers l'avant et enlevez le porte-outil.

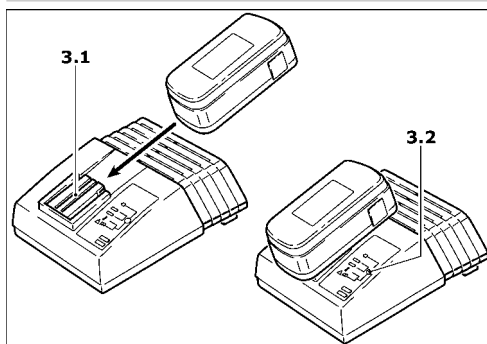
### Changement d'outillage

- Pour placer ou enlever un outil avec arbre CENTROTEC, retirez sur la bague de déverrouillage verte (2.10). Pour mettre un outil en place, tournez jusqu'à ce que son arbre hexagonal (2.9) s'engage dans le logement hexagonal de l'axe et poussez l'outil à fond dans le porte-outil.

## Porte-outil sur l'axe

Afin que la machine devienne plus légère et plus courte, les embouts peuvent être mis en place directement dans le logement six pans de l'axe (2.5).

## Charger l'accumulateur



Pour le chargement, vous devez pousser la batterie dans le logement (3.1) du chargeur jusqu'à la butée. A l'inverse, il est possible de retirer la batterie chargée du chargeur.

Le type d'accumulateur utilisé (NiCd ou NiMH) est identifié automatiquement. La procédure de charge est contrôlée par microprocesseur.

Si vous utilisez un pack d'accumulateurs NiMH chaud (>37°C), il sera seulement chargé avec un courant de charge réduit. Dans ce cas, le temps de charge sera prolongé.

### **La DEL (3.2) indique à chaque fois l'état de service du chargeur.**

DEL jaune - éclairage continu:

le chargeur est prêt à fonctionner.

DEL verte - éclairage clignotant:

L'accumulateur est en train d'être chargé.

DEL verte - éclairage continu:

L'accumulateur est chargé; la charge de maintien est active.

DEL rouge - éclairage clignotant:

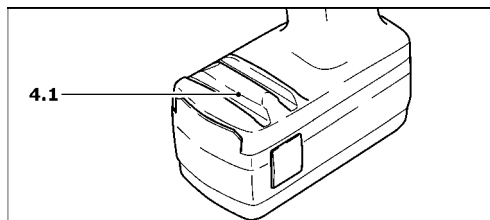
indication d'erreur générale, par exemple pas de mise en contact complète, court-circuit, défaut de l'accumulateur

DEL rouge - éclairage continu:

température de l'accumulateur au-delà des valeurs limites admissibles.

**AVERTISSEMENT** Nous vous recommandons de respecter les instructions décrites dans le chapitre intitulé „Entretien - Maintenance“.

## **Bit-Dépot**



Dans le porte-embouts (4.1), il est possible d'insérer latéralement plusieurs embouts ou rallonges pour embouts.

Le logement magnétique permet également de recevoir des vis et objets similaires.

## **Entretien - Maintenance**

**MISE EN GARDE** Il est indispensable d'observer les consignes suivantes, sinon, la machine, le chargeur ou l'accumulateur risque d'être endommagé(e).

- Les réparations doivent être uniquement réalisées par un spécialiste. Dans le chargeur LC 45, la tension au condensateur à l'intérieur de l'appareil reste élevée même après le débranchement du réseau.
- Veiller à ce que les ouvertures d'aération sur l'outil électrique et sur le chargeur soient toujours propres afin que la circulation de l'air de refroidissement soit assurée.
- Sur le chargeur, aucune pièce métallique (coqueaux métalliques) ne doit pénétrer dans les compartiments de réception des accumulateurs et par les fentes d'aération (risque de court-circuit).

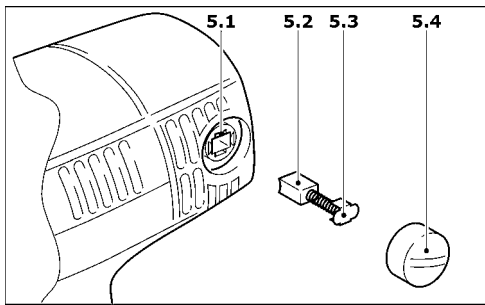
- N'utiliser que des accumulateurs d'origine Festool et ne pas utiliser non plus d'accumulateurs usagés ou remis en état. En effet, seul l'utilisateur sera tenu responsable en cas d'apparition de dommages résultant d'une violation de cette prescription.
- Veiller à ce que les contacts de raccordement sur l'outil électrique, sur le chargeur et sur l'accumulateur soient toujours propres.
- En laissant l'accumulateur dans le chargeur prêt à fonctionner, l'accumulateur est conservé en état chargé grâce à un chargement de maintien permanent.
- Ne pas laisser les accumulateurs vides enfilés pendant plus d'un mois env. dans le chargeur lorsque le chargeur est coupé du secteur (risque de décharge profonde).
- Un accumulateur neuf ou n'ayant pas été utilisé pendant une longue période n'atteint sa pleine capacité qu'au bout de 5 cycles de charge et de décharge environ.
- Il faudrait, dans la mesure du possible, que les accumulateurs soient entièrement déchargés avant d'être rechargés. En effet, un démarrage réitéré de l'opération de charge d'accumulateurs chargés diminue leur durée de vie.
- Une durée de fonctionnement considérablement plus réduite à la suite de chaque recharge indique que l'accumulateur est usé et qu'il doit par conséquent être remplacé par un neuf.
- Les batteries NiCd, qui ne sont pas utilisées pendant une période plus longue, doivent être rangées dans leur état déchargé.

### **Consignes particulières concernant les accumulateurs NiMH :**

- En présence de températures ambiantes inférieures à 0° C ou supérieures à 45° C, la puissance des accumulateurs NiMH diminue nettement.
- Ne pas surcharger la machine (ne pas solliciter la machine à un tel point qu'elle s'immobilise).
- Chargez les batteries NiMH environ tous les 4 mois, même en cas de non-utilisation, afin d'exploiter au mieux toute leur capacité.
- Après chaque 10ème cycle de charge, les packs d'accumulateurs NiMH doivent rester 60 min supplémentaires dans le chargeur après la charge rapide, afin de compenser d'éventuelles différences de capacité entre les éléments.
- Rangez de préférence les batteries NiMH, suite à leur déchargement, à des températures ambiantes comprises entre 0° C et 25° C.

### **Changement des charbons**

Si les charbons ont une longueur résiduelle inférieure à 6 mm, les performances de la machine peuvent s'en ressentir ou le moteur peut s'arrêter. Dans ce cas, changez les charbons (5.2).



- Dévissez le cache (5.4) et déposez les anciens charbons.
- Appuyez sur la tôle de maintien (5.3) des nouveaux charbons jusqu'à ce qu'elle s'enclenche dans les encoches (5.1), avant de revisser le couvercle.
- Faites tourner la machine à vide pendant quelques minutes pour que les nouveaux charbons prennent bien leur place.

### Recyclage des accumulateurs

**Ne pas jeter les accumulateurs usagés dans les ordures ménagères.** Les accumulateurs usagés ou défectueux doivent être rendus aux revendeurs, au service après-vente Festool ou aux installations d'élimination publiques prescrites. Les accumulateurs seront ainsi soumis à un recyclage approprié.

### Accessoires, outils

**AVERTISSEMENT** Pour des raisons de sécurité, il faut utiliser exclusivement des accessoires et outils d'origine Festool!

Les références des accessoires et outils figurent dans le catalogue Festool ou sur Internet sous [www.festool-usa.com](http://www.festool-usa.com).

### Garantie

#### Conditions de la garantie (1+2 ans)

Vous avez droit à une prolongation de garantie gratuite (1 an + 2 ans = 3 ans) sur votre outil électrique Festool. Festool assumera tous les coûts d'expédition pendant la première année de la garantie alors que les deuxième et troisième années, les coûts devront être assumés par le client. Festool paiera les frais de retour de l'outil au client par service de livraison terrestre UPS. La garantie est valable pour une période de 3 ans à compter de la date d'achat indiquée sur votre reçu ou votre facture.

#### Garantie limitée de Festool

Cette garantie est valable à condition que l'outil soit utilisé conformément aux instructions de

Festool. Festool garantit, à l'acheteur initial seulement, que l'outil indiqué sera exempt de tout défaut de matériau et de fabrication pendant un an à compter de la date d'achat. Festool ne donne aucune garantie supplémentaire, implicite ou explicite, sur les instruments portables électriques Festool. Aucun agent, représentant commercial, distributeur, vendeur ou employé de Festool n'est autorisé à prolonger ou à modifier les obligations ou restrictions de la présente garantie. Les obligations de Festool sont, à son entière discrétion, limitées à la réparation ou à l'échange des outils portables électriques Festool trouvés défectueux dans le présent emballage, tels que fournis avec le présent Guide d'utilisation.

Cette garantie exclut l'usure normale, les dommages causés par un usage impropre, les abus ou la négligence, ou tout dommage autre que ceux attribuables à des défauts de matériau et de fabrication. Cette garantie ne s'applique pas aux accessoires tels que lames de scie circulaire, mèches de perceuse et vilebrequin, lames de scie sauteuse, bandes abrasives et meules. Sont également exclues les pièces d'usure, telles que balais de charbon, lamelles pour outils à air comprimé, joints et manchons de caoutchouc, disques et patins ponceurs, ainsi que les piles.

Les outils électriques portables Festool à remplacer ou à réparer doivent être retournés avec le reçu d'achat à Festool (appelez au 800-554-8741 pour connaître l'adresse d'expédition).

**FESTOOL N'EST EN AUCUN CAS RESPONSABLE DES DOMMAGES DIRECTS OU INDIRECTS, IMPLICITES OU EXPLICITES, DÉCOULANT DE LA RUPTURE DE CETTE GARANTIE OU DE TOUTE AUTRE GARANTIE. TOUTES LES GARANTIES IMPLICITES, Y COMPRIS LES GARANTIES IMPLICITES DE QUALITÉ MARCHANDE ET D'ADÉQUATION À UN USAGE PARTICULIER, SONT LIMITÉES À UNE PÉRIODE DE TROIS ANS.**

Certains états américains et certaines provinces canadiennes ne permettent pas la limitation des garanties implicites; il se pourrait donc que les limites indiquées ci-dessus ne s'appliquent pas dans votre cas. À l'exception de certaines garanties implicites des provinces ou des états indiquées ici, la présente garantie est exclusive et remplace toute autre garantie, convention et obligation similaire de Festool.

Cette garantie vous confère des droits légaux spécifiques, et vous pouvez aussi avoir d'autres droits pouvant varier d'un état à l'autre, ou d'une province à l'autre au Canada.

## **NORMAS GENERALES DE SEGURIDAD**

**ADVERTENCIA** Lea y entienda todas las instrucciones. El incumplimiento de una sola de las instrucciones aquí listadas, puede tener como resultado una descarga eléctrica, fuego y/o lesiones personales serias.

## **CONSERVE ESTAS INSTRUCCIONES**

### **Espacio de trabajo**

**1 Mantenga su espacio de trabajo limpio y bien iluminado.** Bancos de trabajo desordenados y áreas oscuras facilitan accidentes.

**2 No maneje herramientas en ambientes explosivos, como por ejemplo en presencia de líquidos inflamables, gases, o polvo.** Las herramientas generan chispas que pueden encender el polvo o gases.

**3 Mantenga espectadores, niños, y visitantes fuera del alcance mientras maneje herramientas.** Distracciones pueden causar la pérdida del control.

### **Seguridad eléctrica**

**4 Una herramienta accionada por acumuladores con acumulador incorporado o acumulador por separado solamente se deberá cargar con el cargador previsto para este acumulador.** Un cargador que es adecuado para un tipo de acumulador concreto puede producir fuego o choque eléctrico, si se utiliza con otro tipo de acumulador.

**5 Emplee las herramientas accionadas por acumuladores solamente con el paquete de acumuladores previsto especialmente para ellas.** El uso de cualquier otro tipo de acumulador puede ser la causa de que se produzca un incendio.

### **Seguridad personal**

**6 Manténgase atento, observe lo que está haciendo y use el sentido común cuando use una herramienta. No trabaje estando cansado o bajo influencia de drogas, alcohol, o medicamentos.** Un momento sin prestar atención mientras maneja una herramienta puede tener como resultado serias lesiones personales.

**7 Vístase apropiadamente. No lleve ropa suelta o joyas. Sujete pelo largo. Mantenga su pelo, ropa y guantes fuera del alcance de partes móviles.** Ropa, joyas y pelo suelto pueden pillarse en partes móviles.

**8 Evite accidentes al iniciar. Asegúrese que el interruptor está apagado antes de enchufar.** Transportar herramientas con el dedo en el interruptor o enchufar las herramientas con el interruptor encendido puede provocar accidentes.

**9 Quite llaves de ajuste o conmutadores antes de encender la herramienta.** Una llave inglesa u otra llave que se deja puesta en partes rotatorias de la herramienta pueden causar lesiones personales.

**10 No exceda límites. Mantenga estabilidad y balance apropiado en todo momento.** Estabi-

lidad y balance apropiado posibilitan el mejor control de la herramienta en situaciones inesperadas.

**11 Use equipamiento de seguridad. Lleve siempre gafas protectoras.** Mascarilla de polvo, zapatos de seguridad antirresbaladizos, casco, o protección de los oídos deben ser utilizados para condiciones adecuadas.

**12 Confirme que las conexiones existentes para la aspiración de polvo y para el dispositivo recogedor están conectadas y que se emplean debidamente.** El uso de estos dispositivos puede reducir peligros relacionados polvo.

### **Uso y cuidado de la herramienta**

**13 Use abrazaderas u otras formas prácticas de sujetar y asegurar la pieza de trabajo en una plataforma estable.** Sujetar la pieza de trabajo con la mano o contra el cuerpo es inestable y puede causar la pérdida de control.

**14 No fuerce la herramienta. Use la herramienta correcta para su aplicación.** La herramienta correcta hará su trabajo de manera mejor y más segura al nivel para el cual está diseñada.

**15 No use la herramienta si el interruptor no la enciende y apaga.** Cualquier herramienta que no se pueda controlar por el interruptor es peligrosa y debe ser arreglada.

**16 Retire el paquete de acumuladores de la herramienta, antes de proceder a cualquier tipo de ajustes, así como antes de un cambio de accesorios o del depósito de la herramienta en almacén.** Estas medidas preventivas de seguridad reducen el riesgo de poner en funcionamiento la herramienta accidentalmente.

**17 Guarde herramientas desocupadas fuera del alcance de niños u otras personas sin experiencias.** Las herramientas son peligrosas en manos de personas inexpertas.

**18 Cuando no lo utilice, mantenga el paquete de acumuladores alejado de otras piezas u objetos metálicos como, por ejemplo, grapas, sujetapapeles, monedas, llaves, clavos, tornillos u otras piezas metálicas pequeñas, que puedan establecer un contacto entre los polos del acumulador.** Un cortocircuito entre los dos polos del acumulador puede producir chispas, quemaduras o fuego.

**19 Mantenga las herramientas con cuidado. Mantenga herramientas para cortar afiladas y limpias.** Herramientas mantenidas correctamente, con filos afilados, difícilmente se traban y se controlan con mayor facilidad.

**20 Compruebe si hay alineación incorrecta o trabadura de partes móviles, rotura de partes, o cualquier otra condición que puedan afectar el funcionamiento de la herramienta.** En caso de daños, arregle la herramienta antes de usarla. Muchos accidentes son causados por herramientas con mal mantenimiento.

**21 Use solo accesorios que recomiende el fabricante para su modelo.** Accesorios que funcionen en una herramienta pueden ser peligrosos al usarlos en otra.

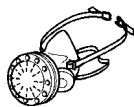
## Mantenimiento

**22 El mantenimiento de la herramienta solo se podrá realizar por personal de mantenimiento cualificado.** Revisión o mantenimiento realizado por personal no cualificado puede resultar en el riesgo de lesión.

**23 Cuando se revise una herramienta, use solo repuestos idénticos. Siga las instrucciones en la sección de mantenimiento de este manual.** El uso de repuestos no autorizados o el incumplimiento de las instrucciones de mantenimiento pueden conllevar el riesgo de descarga eléctrica o lesión.

**ADVERTENCIA** Algunos polvos creados por lijadoras mecánicas, aserraderos, trituradores, perforadoras y otras actividades de construcción contienen sustancias químicas que se sabe (en el Estado de California) causan cáncer, defectos de nacimiento u otros daños al sistema reproductivo. Algunos ejemplos de estas sustancias químicas son:

- Plomo de las pinturas con base de plomo
- Sílice cristalino de los ladrillos y cemento y otros productos de mampostería, y
- Arsénico y cromo de madera tratada con sustancias químicas



El riesgo de exposición a estas sustancias varía, dependiendo de cuantas veces se hace este tipo de trabajo. Para reducir el contacto con estas sustancias químicas: trabaje en un área con buena ventilación y trabaje con equipo de seguridad aprobado, como mascarillas para el polvo diseñadas específicamente para filtrar partículas microscópicas.

## Datos técnicos

### Taladro atornillador

Potencia del motor

Velocidad en vacío:

- 1ª marcha
- 2ª marcha

Par de apriete máximo:

- en lugares blandos
- en lugares duros

Par de apriete regulable

- 1ª marcha
- 2ª marcha

Alcance del portabrocas

Diámetro máx. perforación en metal / madera

Alojamiento de herramientas en el eje

Peso con acumulador

### TDK 12

12 V

0 - 430 rpm

0 - 1400 rpm

20 Nm

28 Nm

2 - 7 Nm

0.5 - 2.5 Nm

1.5 - 13 mm

14 mm / 25 mm

1/4"

2.0 kg (4.4 lbs)

### TDK 15.6

15.6 V

0 - 450 rpm

0 - 1500 rpm

25 Nm

36 Nm

2 - 7 Nm

0.5 - 2.5 Nm

1.5 - 13 mm

16 mm / 35 mm

1/4"

2.3 kg (5.1 lbs)

### Cargador

Tensión / frecuencia de la red (entrada)

Tensión de carga (salida)

Corriente de carga:

- Carga rápida
- Carga de mantenimiento por impulsos

Tiempo para recargar para:

- NiCd 2.0 Ah
- NiCd 2.4 Ah
- NiMH 3.0 Ah

### LC 45

120 V ~ / 60 Hz

7.2 - 18 V (DC)

max. 3 A

aprox. 0.06 A

aprox. 45 min

aprox. 50 min

aprox. 70 min

### Juego de acumuladores

#### BPS 12 NiCd 2.4

#### BPS 12 NiMH 3.0

#### BPS 15.6 NiCd 2.4

#### BPS 15.6 NiMH 3.0

Nº de pedido

492 268

491 821

492 269

491 823

Voltaje

12 V

12 V

15.6 V

15.6 V

Capacidad

2.4 Ah

3.0 Ah

2.4 Ah

3.0 Ah

Margen de temp. de carga

5 - 45 °C

Control de estado de carga

por resistencia NTC

Peso

0.73 kg (1.6 lbs)

0.75 kg (1.7 lbs)

0.90 kg (2.0 lbs)

0.92 kg (2.0 lbs)

## Símbolos

V	voltios
A	amperios
Hz	hertzios
W	watios
~	reñsion alterna

$n_0$	revoluciones sin carga
☐	Clase II Construcción
rpm	revoluciones por minuto

## Utilización adecuada

Los taladros atornilladores Akku son apropiados para taladrar en metal, madera, plásticos y ma-

teriales similares, así como para atornillar y apretar tornillos (hasta un diámetro de 6 mm en madera)

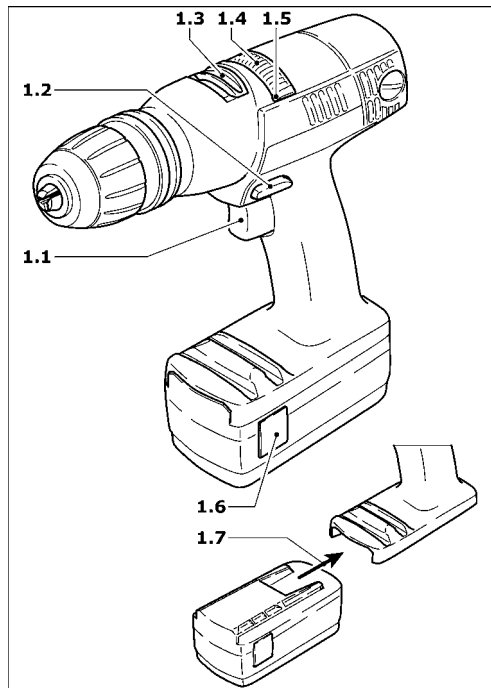
El cargador LC 45 está destinado para cargar los acumuladores especificados.

**ADVERTENCIA** El usuario se responsabiliza de los daños debidos a un uso inadecuado.

### Sujeción a la pared LC 45

El cargador LC 45 tiene en su parte posterior dos agujeros alargados para poder ser colgado a la pared usando dos tornillos (por ej. tornillos de cabeza plana o algo redondeada con 5 mm de diámetro del vástago). Para ello, atornillar los dos tornillos separados 96 mm a tal profundidad que la cabeza de tornillo todavía sobresalga unos 4 mm de la pared.

### Ajustes en la máquina



### Cambiar el acumulador

- Retirar el acumulador: pulsar las dos teclas (1.6) y extraer el acumulador tirando hacia delante.
- Colocar el acumulador: insertar el acumulador hasta que se enclave en el soporte en la parte inferior del mango (1.7).

### Cambiar el sentido de giro

El botón (1.2) sirve para determinar el sentido de giro.

- Botón apretado de derecha a izquierda = el taladro atornillador gira hacia la derecha;

- Botón apretado de izquierda a derecha = el taladro atornillador gira hacia la izquierda;
- Botón en posición media = bloqueo de conexión.

### Conmutación del engranaje

**PRECAUCION** ¡Conectarlo sólo con la máquina parada!

Con el interruptor desplazable (1.3) se conecta el engranaje.

- 1ª marcha: Interruptor hacia adelante - se ve la cifra 1.
- 2ª marcha: Interruptor hacia atrás - se ve la cifra 2.

### Regulación del par de apriete

Girotando la rueda de ajuste (1.4) se puede regular el par de apriete. La marca con la flecha (1.5) indica el estado ajustado en cada momento:

#### Taladrar

La flecha de marca mira hacia el símbolo de taladrar = par de apriete máximo.

#### Atornillar

Par de apriete según el ajuste:

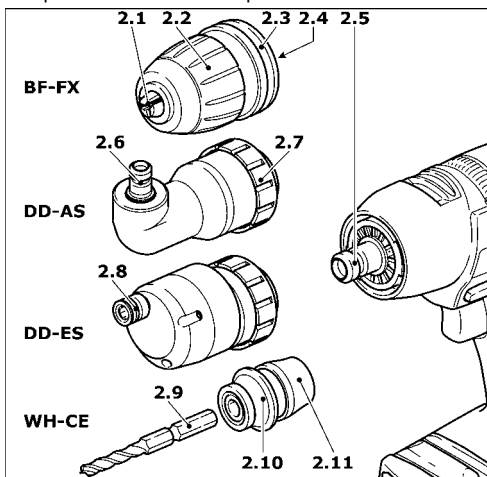
- Posición en 1 = par de apriete bajo
- Posición en 20 = par de apriete alto

### Funcionamiento

Ponerlo en funcionamiento con el pulsador (1.1). Según la presión que se ejerza sobre el pulsador varía la velocidad de giro del taladro atornillador. Para desconectarlo basta con soltar el pulsador (1.1). Después de soltar el pulsador, se frena el eje (portabrocas) impidiendo que la máquina siga girando por inercia.

### Toma de herramienta, grupos adicionales

**ADVERTENCIA** Asegúrese en cada cambio de toma de herramienta, grupo adicional y herramienta que la máquina esté apagada y el bloque de acumulador quitado.





## Portabrocas BF-FX

El portabrocas sirve para sujetar las brocas y las puntas de destornillador.

### Montaje:

- Coloque el portabrocas en el husillo portabrocas (2.5) y gírelo hasta que la clavija hexagonal (2.4) del portabrocas se enclave en la toma hexagonal interior del husillo portabrocas.
- Estire la anilla de desbloqueo (2.3) hacia adelante, apriete el portabrocas sobre el husillo portabrocas hasta el tope y suelte la anilla de desbloqueo.

### Desmontaje:

- Estire la anilla de desbloqueo hacia adelante y quite el portabrocas.

### Cambiar la herramienta:

- Gire el manguito de sujeción (2.2) en contra del sentido de las agujas del reloj para abrir las mordazas de apriete (2.1) (Nota: Cuando la máquina está parada, el husillo está bloqueado automáticamente).
- Introduzca la herramienta en el portabrocas.
- Apriete bien la sujeción de la herramienta girando el manguito de apriete en el sentido de las agujas del reloj.enga siempre en cuenta que la herramienta esté sujeta de forma céntrica en el portabrocas.

## Ángulo adicional DD-AS

El ángulo adicional facilita el trabajo (taladrar, atornillar) vertical con respecto al eje longitudinal de la máquina.

### Montaje:

- Coloque el ángulo adicional sobre el husillo portabrocas y gírelo hasta que se enclave en la posición deseada (Nota: El ángulo adicional se puede enclavar en 16 posiciones angulares distintas).
- Bloquee el ángulo adicional girando la anilla de sujeción (2.7) en el sentido de las agujas del reloj hasta que quede apretada.

### Desmontaje:

- Gire la anilla de sujeción en el sentido contrario a las agujas del reloj hasta llegar al tope y quite el ángulo adicional.

### Montar / desmontar el portabrocas en el ángulo adicional:

El portabrocas se sujeta de la misma manera en el eje (2.6) del ángulo adicional que en el husillo portabrocas de la máquina.

## Excéntrica adicional DD-ES

La excéntrica adicional sirve para la toma de puntas de destornillador. Permite atornillar cerca de los bordes.

### Montar / desmontar la excéntrica adicional:

El montaje / desmontaje de la excéntrica adicional se realiza de la misma manera que el montaje y desmontaje del ángulo adicional (véase DD-AS).

### Cambiar la herramienta:

- Estire la anilla de desbloqueo (2.8) hacia atrás y saque o bien introduzca la herramienta.

## Portautensili CENTROTEC WH-CE

Il portautensili CENTROTEC consente di effettuare un rapido cambio degli utensili con gambo CENTROTEC.

**AVVERTENZA** Pericolo di lesioni! Maneggiare l'attrezzo e i relativi taglienti affilati con particolare scrupolo durante la sostituzione e indossando gli appositi guanti da lavoro.

**PRECAUCION** Non fissare gli attrezzi CENTROTEC sulla parte tonda del codolo in un mandrino tradizionale, al fine di evitare danni al codolo stesso.

### Montaggio

- Spostare in avanti l'anello di sblocco (2.11), inserire il portautensili fino a battuta sul mandrino portapunte (2.5) e rilasciare l'anello di sblocco.

### Smontaggio

- Spostare in avanti l'anello di sblocco ed estrarre il portautensili .

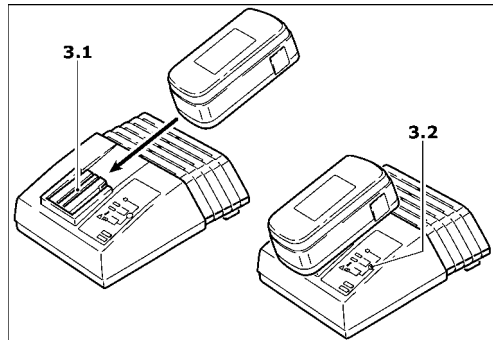
### Sostituzione dell'utensile

- Per inserire e/o disinserire un utensile con gambo CENTROTEC, spostare indietro l'anello di sblocco di colore verde (2.10). Quando si inserisce l'utensile, avvitare finché il suo gambo di forma esagonale (2.9) non si innesta nell'alloggiamento di forma esagonale del mandrino portapunte e spingere l'utensile fino a battuta nel portautensili.

## Toma de herramienta en el husillo portabrocas

Para que la máquina sea más corta y más ligera las puntas de destornillador se pueden introducir directamente en la toma hexagonal interior del husillo portabrocas (2.5).

## Cargar el juego de acumuladores



Para cargar es preciso empujar el acumulador hasta el tope en el soporte (3.1) del cargador. En dirección opuesta, el acumulador cargado puede extraerse del cargador.

El tipo de acumulador empleado (NiCd o NiMH) lo detecta el cargador automáticamente. El proceso de carga lo controla un micro-procesador. Si se emplea un acumulador de NiMH en estado caliente (>37°C), se carga sólo con corriente de carga reducida. En este caso se alarga el tiempo de recarga.

### El diodo luminoso (LED) (3.2) indica el estado actual del cargador.

LED amar. – permanente:

El cargador está listo para ser usado.

LED verde – intermitente:

El juego de acumuladores está cargado.

LED verde – permanente:

Juego de acumuladores cargado; cargador con carga de mantenimiento.

LED rojo – intermitente:

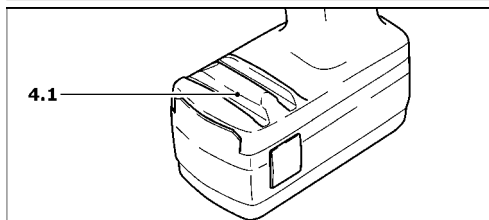
Indicación general de error, por ej. mal puesto, defectuoso, o cortocircuito.

LED rojo – permanente:

Temperatura de acumuladores superior a valores permitidos.

**ADVERTENCIA** Observar obligatoriamente las indicaciones en el capítulo "Mantenimiento - Cuidado".

## Depósito para destornilladores



En el alojamiento para destornilladores (4.1) se pueden meter lateralmente dos destornilladores o adaptadores para destornillador.

## Mantenimiento - Cuidados

**PRECAUCION** Tenga en cuenta las indicaciones que se ofrecen a continuación. En caso de inobservancia existirá peligro de dañar la máquina, el cargador o el acumulador.

- Sólo técnicos especializados pueden llevar a cabo las reparaciones. Con el cargador LC 45, continúa habiendo una tensión del capacitor elevada en el interior del aparato después de separarlo de la red.
- Mantener limpias las ranuras de la herramienta eléctrica y del cargador para que el aire de refrigeración circule sin problemas.
- En el interior del cargador no debe penetrar ningún trozo de metal (viruta metálica) a través de las aberturas para los acumuladores ni de las ranuras de ventilación (peligro de cortocircuito).
- Emplee sólo juegos de acumuladores de Festool. No emplee juegos de acumuladores

ya desgastados y preparados de nuevo para poder ser usados. El usuario se responsabiliza de los posibles daños por el uso de juegos de acumuladores no originales de Festool.

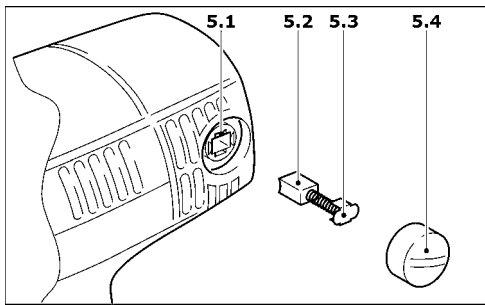
- Mantener limpios los contactos de conexión de la máquina, del cargador y del juego de acumuladores.
- Guardando el juego de acumuladores en un cargador listo para ser usado, el juego de acumuladores se mantiene siempre cargado debido a la carga de mantenimiento.
- No dejar los acumuladores vacíos durante más de 1 mes en el cargador si éste está separado de la red (peligro de descarga total).
- Un juego de acumuladores nuevo o que no haya sido utilizado en mucho tiempo alcanza su capacidad total después de aproximadamente 5 ciclos de carga y descarga.
- Los juegos de acumuladores deberían estar descargados prácticamente por completo antes de volver a ser cargados. Si se carga repetidamente un juego de acumuladores no desgastado del todo, se reduce su vida útil.
- Una capacidad de funcionamiento bastante más corta por cada carga indica que el acumulador está gastado y que debe ser sustituido por uno nuevo.
- Los acumuladores NiCd que no se utilicen durante un periodo prolongado deberían guardarse completamente descargados.

### Indicaciones especiales para los acumuladores NiMH:

- Cuando la temperatura ambiente está por debajo de los 0° C o bien por encima de los 45° C, el rendimiento del acumulador NiMH disminuirá considerablemente.
- No deberá sobrecargarse la máquina (no cargar la máquina tanto como para que llegue a pararse).
- Los acumuladores NiMH deberán recargarse cada 4 meses aunque no se utilicen para mantener toda su capacidad.
- Los acumuladores de NiMH deberían permanecer todavía 60 minutos más en el cargador tras cargarse por décima vez en el modo de carga rápida. Así se compensan las posibles diferencias de capacidad de las células.
- Debido a que se descargan solos, los acumuladores NiMH deben guardarse preferentemente en lugares con una temperatura ambiente entre 0° C y 25° C.

### Cambio de escobillas

Si las escobillas presentan un desgaste de la longitud restante inferior a 6 mm, el rendimiento de la máquina puede verse reducido o el motor se puede parar. En este caso, deben sustituirse las escobillas (5.2).



- Desatornillar la protección (5.4) y retirar las escobillas desgastadas.
- Presionar la chapa de soporte (5.3) de las nuevas escobillas hasta que se enclaven en las entalladuras (5.1) antes de volver a atornillar las protecciones.
- Hacer funcionar la máquina durante unos minutos en vacío para que el contacto de las nuevas escobillas sea óptimo.

### Reciclaje de los juegos de acumuladores

**No tire a la basura el juego de acumuladores ya desgastado.** Devuelva los juegos de acumuladores utilizados o defectuosos al comercio especializado, al servicio de postventa de Festool o a los centros municipales de recogida de basura especial. De esta manera se facilita un reciclaje correcto de los acumuladores.

### Accesorios, herramientas

**⚠️ ADVERTENCIA** ¡Por razones de seguridad, solamente deben emplearse accesorios y herramientas originales de Festool!

Los números de pedido para los respectivos accesorios y herramientas se encuentran en su catálogo Festool o en Internet en la dirección [www.festool-usa.com](http://www.festool-usa.com).

### Garantía

#### Condiciones de la Garantía 1 + 2

Usted tiene derecho a una garantía extendida gratuita (1 año + 2 años = 3 años) para su herramienta mecánica Festool. Festool se hará responsable por los gastos de envío durante el primer año de garantía. Durante el segundo y tercer año de garantía el cliente es responsable por el costo del envío de la herramienta a Festool. Festool pagará el embarque de regreso al cliente usando UPS Ground Service. Todo el servicio de garantía es válido por 3 años desde la fecha de la compra de acuerdo a la fecha de su recibo o factura de compra.

#### Garantía limitada de Festool

Esta garantía es válida con la condición previa de que la herramienta se usa y opera de conformidad con las instrucciones de operación

de Festool. Festool garantiza, sólo al comprador original, que la herramienta especificada estará libre de defectos de fabricación y materiales durante un periodo de un año a partir de la fecha de compra. Festool no otorga otras garantías, ni explícitas ni implícitas para ninguna de las herramientas mecánicas portátiles Festool. Ningún agente, representante, distribuidor, comerciante o empleado de Festool está autorizado para extender o modificar de cualquier manera las obligaciones o limitaciones de esta garantía. Las obligaciones de Festool, a su propia entera discreción, están limitadas a la reparación o sustitución de cualquier herramienta portátil Festool que se encuentre estar defectuosa en el momento de ser embalada junto con el manual de usuario.

Quedan excluidos de la cobertura en esta garantía: el desgaste normal; los daños causados por uso indebido, el abuso o negligencia; los daños causados por cualquier otra causa que no sean defectos del material o de la fabricación. Esta garantía no aplica a accesorios como cuchillas de sierras circulares, brocas de taladro, barrenas de buriladora, cuchillas de sierra, cuchillas para sierras de calado, correas de lijadoras y ruedas de esmeril. También se excluyen las "partes que se desgastan" como cepillos de carbón, laminillas de herramientas de aire, collarines de hule y sellos, discos y cojines de lijado, y baterías.

Las herramientas mecánicas portátiles Festool que requieran de reemplazo o reparación deben devolverse con el recibo de compra a Festool (llame al 800-554-8741 para los detalles de la dirección).

**EN NINGÚN CASO FESTOOL SE HARÁ RESPONSABLE POR LOS DAÑOS SECUNDARIOS O CONSECUENTES OCASIONADOS POR LA VIOLACIÓN DE ESTA O CUALQUIER OTRA GARANTÍA, SEA EXPLÍCITA O IMPLÍCITA. TODAS LAS GARANTÍAS IMPLICADAS POR LEYES ESTATALES, INCLUYENDO LAS GARANTÍAS IMPLICADAS DE COMERCIALIZACIÓN Y ADECUACIÓN A UN PROPÓSITO PARTICULAR, QUEDAN LIMITADAS A TRES AÑOS DE DURACIÓN.**

Algunos estados de EE.UU. y algunas provincias de Canadá no permiten las limitaciones en cuanto a la duración de las garantías implícitas, de modo que la limitación arriba indicada puede que no le afecte. A excepción de algunas garantías implicadas por leyes estatales o provinciales, limitadas por la presente, la anteriormente citada garantía, expresamente limitada, es exclusiva y sustituye a cualquier otra garantía, acuerdo u obligación similar de Festool.

Esta garantía le concede derechos legales específicos y usted podría tener otros derechos legales que varían de estado a estado en EE.UU. y de provincia a provincia en Canadá.



## Free Manuals Download Website

<http://myh66.com>

<http://usermanuals.us>

<http://www.somanuals.com>

<http://www.4manuals.cc>

<http://www.manual-lib.com>

<http://www.404manual.com>

<http://www.luxmanual.com>

<http://aubethermostatmanual.com>

Golf course search by state

<http://golfingnear.com>

Email search by domain

<http://emailbydomain.com>

Auto manuals search

<http://auto.somanuals.com>

TV manuals search

<http://tv.somanuals.com>