

## Instruction manual

Page 2 - 12

**IMPORTANT:** *Read and understand all instructions before using.*

## Guide d'utilisation

Page 13 - 24

**IMPORTANT:** *Lire et comprendre toutes les instructions avant de démarrer les travaux.*

## Manual de instrucciones

Pagina 25- 36

**IMPORTANTE:** *Lea y comprende todas las instrucciones antes de usar.*

Instruction manual  
Guide d'utilisation  
Manual de instrucciones

## TS 75 EQ



## Contents

<b>General safety rules</b> .....	2
<b>Specific Safety Rules for Circular Saws</b> ..	3
<b>Technical data</b> .....	5
<b>Symbols</b> .....	5
<b>Functional description</b> .....	5
<b>Use for intended purpose</b> .....	5
<b>Electrical connection</b> .....	5
<b>Tool settings</b> .....	5
Electronic control .....	5
Riving knife .....	6
Saw blade .....	6
Cutting depth .....	7
Cutting angle.....	7
Dust extraction .....	7
Mounting the splinterguard.....	8
<b>Operation</b> .....	8
Switching the machine on and off.....	8
Support of the workpieces.....	8
Sawing .....	9
<b>Systainer</b> .....	10
<b>Servicing and maintenance</b> .....	10
<b>Accessories</b> .....	10
<b>Warranty</b> .....	12

## General safety rules

**⚠ WARNING** Read and understand all instructions. Failure to follow all instructions listed below may result in electric shock, fire and/or serious personal injury.

### SAVE THESE INSTRUCTIONS

#### 1) Work area safety

- a) Keep work area clean and well lit.** Cluttered and dark areas invite accidents.
- b) Do not operate power tools in explosive atmospheres, such as in the presence of flammable liquids, gases or dust.** Power tools create sparks which may ignite the dust or fumes.
- c) Keep children and bystanders away while operating a power tool.** Distractions can cause you to lose control.

#### 2) Electrical safety

- a) Power tool plugs must match the outlet. Never modify the plug in any way. Do not use any adapter plugs with earthed (grounded) power tools.** Unmodified plugs and matching outlets will reduce risk of electric shock.
- b) Avoid body contact with earthed or grounded surfaces such as pipes, radiators,**

**ranges and refrigerators.** There is an increased risk of electric shock if your body is earthed or grounded.

**c) Do not expose power tools to rain or wet conditions.** Water entering a power tool will increase the risk of electric shock.

**d) Do not abuse the cord. Never use the cord for carrying, pulling or unplugging the power tool. Keep cord away from heat, oil, sharp edges or moving parts.** Damaged or entangled cords increase the risk of electric shock.

**e) When operating a power tool outdoors, use an extension cord suitable for outdoor use.** Use of a cord suitable for outdoor use reduces the risk of electric shock.

**f) Hold power tool by insulated gripping surfaces only, when performing an operation where the cutting accessory may contact hidden wiring or its own cord.** Contact with a „live“ wire will make exposed metal parts of the power tool „live“ and shock the operator.

#### 3) Personal safety

**a) Stay alert, watch what you are doing and use common sense when operating a power tool. Do not use a power tool while you are tired or under the influence of drugs, alcohol or medication.** A moment of inattention while operating power tools may result in serious personal injury.

**b) Use safety equipment. Always wear eye protection.** Safety equipment such as dust mask, non-skid safety shoes, hard hat, or hearing protection used for appropriate conditions will reduce personal injuries.

**c) Avoid accidental starting. Ensure the switch is in the off position before plugging in.** Carrying power tools with your finger on the switch or plugging in power tools that have the switch on invites accidents.

**d) Remove any adjusting key or wrench before turning the power tool on.** A wrench or a key left attached to a rotating part of the power tool may result in personal injury.

**e) Do not overreach. Keep proper footing and balance at all times.** This enables better control of the power tool in unexpected situations.

**f) Dress properly. Do not wear loose clothing or jewellery. Keep your hair, clothing and gloves away from moving parts.** Loose clothes, jewellery or long hair can be caught in moving parts.

**g) If devices are provided for the connection of dust extraction and collection facilities, ensure these are connected and prop-**

**erly used.** Use of these devices can reduce dust related hazards.

#### 4) Tool use and care

**a) Do not force the power tool. Use the correct power tool for your application.** The correct power tool will do the job better and safer at the rate for which it was designed.

**b) Do not use the power tool if the switch does not turn it on and off.** Any power tool that cannot be controlled with the switch is dangerous and must be repaired.

**c) Disconnect the plug from the power source before making any adjustments, changing accessories, or storing power tools.** Such preventive safety measures reduce the risk of starting the power tool accidentally.

**d) Store idle power tools out of the reach of children and do not allow persons unfamiliar with the power tool or these instructions to operate the power tool.** Power tools are dangerous in the hands of untrained users.

**e) Maintain power tools. Check for misalignment or binding of moving parts, breakage of parts and any other condition that may affect the power tools operation. If damaged, have the power tool repaired before use.** Many accidents are caused by poorly maintained power tools.

**f) Keep cutting tools sharp and clean.** Properly maintained cutting tools with sharp cutting edges are less likely to bind and are easier to control.

**g) Use the power tool, accessories and tool bits etc., in accordance with these instructions and in the manner intended for the particular type of power tool, taking into account the working conditions and the work to be performed.** Use of the power tool for operations different from those intended could result in a hazardous situation.

#### 5) Service

**a) Have your power tool serviced by a qualified repair person using only identical replacement parts.** This will ensure that the safety of the power tool is maintained.

#### Specific Safety Rules for Circular Saws

**a) DANGER! Keep hands away from cutting area and blade. Keep your second hand on auxiliary handle, or motor housing.** If both hands are holding the saw, they cannot be cut by the blade.

**b) Do not reach underneath the workpiece.** The guard cannot protect you from the blade below the workpiece.

**c) Adjust the cutting depth to the thickness of the workpiece.** Less than a full tooth of the blade teeth should be visible below the workpiece.

**d) NEVER hold piece being cut in your hands or across your leg. Secure the workpiece to a stable platform.** It is important to support the work properly to minimise body exposure, blade binding, or loss of control.

**e) Hold power tool by insulated gripping surfaces when performing an operation where the cutting tool may contact hidden wiring or its own cord.** Contact with a "live" wire will also make exposed metal parts of the tool "live" and shock the operator.

**f) When ripping always use a rip fence or straight edge guide.** This improves the accuracy of cut and reduces the chance for blade binding.

**g) Always use blades with correct size and shape (diamond vs. round) arbour holes.** Blades that do not match the mounting hardware of the saw will run eccentrically, causing loss of control.

**h) Never use damaged or incorrect blade washers or bolts.** The blade washers and bolt were specially designed for your saw, for optimum performance and safety of operation.

**i) Check guard for proper closing before each use. Do not operate the saw if guard does not move freely and enclose the blade instantly. Never clamp or tie the guard with the blade exposed.** If saw is accidentally dropped, guard may be bent. Check to make sure that guard moves freely and does not touch the blade or any other part, in all angles and depths of cut.

**j) Check the operation and condition of the guard return spring. If the guard and the spring are not operation properly, they must be serviced before use.** Guard may operate sluggishly due to damaged parts, gummy deposits, or a build-up of debris.

**k) Assure that the guide plate of the saw will not shift while performing the "plunge cut" when the blade bevel setting is not at 90°.** Blade shifting sideways will cause binding and likely kick back.

**l) Always observe that the guard is covering the blade before placing saw down on bench or floor .** An unprotected, coasting blade will cause the saw to walk backwards, cutting whatever is in its path. Be aware of the time it takes for the blade to stop after switch is released.

## Causes and Operator Prevention of Kickback

- Kickback is a sudden reaction to a pinched, bound or misaligned saw blade, causing an uncontrolled saw to lift up and out of the workpiece toward the operator.

- When the blade is pinched or bound tightly by the kerf closing down, the blade stalls and the motor reaction drives the unit rapidly back toward the operator.

- If the blade becomes twisted or misaligned in the cut, the teeth at the back edge of the blade can dig into the top surface of the wood causing the blade to climb out of the kerf and jump back toward operator.

Kickback is the result of tool misuse and/or incorrect operating procedures or conditions and can be avoided by taking proper precautions as given below:

**a) Maintain a firm grip with both hands on the saw and position your body and arm to allow you to resist kickback forces. Position your body to either side of the saw blade, but not in line with the saw blade.** Kickback could cause the saw to jump backwards, but kickback forces can be controlled by the operator, if proper precautions are taken.

**b) When blade is binding, or when interrupting a cut for any reason, release the trigger and hold the saw motionless in the material until the blade comes to a complete stop. Never attempt to remove the saw from the work or pull the saw backward while the blade is in motion or kickback may occur.** Investigate and take corrective actions to eliminate the cause of blade binding.

**c) When restarting a saw in the workpiece, center the saw blade in the kerf and check that saw teeth are not engaged into the material.** If saw blade is binding, it may walk up or kickback from the workpiece as the saw is restarted.

**d) Support large panels to minimize the risk of blade pinching and kickback.** Large panels tend to sag under their own weight. Supports must be placed under the panel on both sides, near the line of cut and near the edge of the panel.

**e) Do not use dull or damaged blade.** Unsharpened or improperly set blades produce narrow kerf causing excessive friction, blade binding and kickback.

**f) Blade depth and bevel adjusting locking levers must be tight and secure before making cut.** If blade adjustment shifts while cutting, it may cause binding and kickback.

**g) Use extra caution when making a "Plunge Cut" into existing walls or other blind areas.**

The protruding blade may cut objects that can cause kickback.

## Riving Knife

**a) Use the appropriate riving knife for the blade being used.** For the riving knife to work, it must be thicker than the body of the blade but thinner than the tooth set of the blade.

**b) Adjust the riving knife as described in this instruction manual.** Incorrect spacing, positioning and alignment can make the riving knife ineffective in preventing kickback.

**c) Always use the riving knife, even when plunge cutting.** The riving knife is being pressed upwards during plunge cutting and springs back automatically into the kerf after plunge cutting when you move the saw forward.

**d) For the riving knife to work, it must be engaged in the workpiece.** The riving knife is ineffective in preventing kickback during short cuts.

**e) Do not operate the saw if riving knife is bent.** Even a light interference can slow the closing rate of a guard.

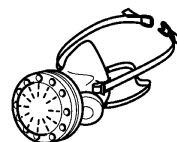
**⚠WARNING TO REDUCE THE RISK OF INJURY, USER MUST READ AND UNDERSTAND INSTRUCTION MANUAL.**

---

**⚠WARNING** Various dust created by power sanding, sawing, grinding, drilling and other construction activities contains chemicals known (to the State of California) to cause cancer, birth defects or other reproductive harm. Some examples of these chemicals are:

- Lead from lead-based paints,
- Crystalline silica from bricks and cement and other masonry products,
- Arsenic and chromium from chemically-treated lumber.

The risk from these exposures varies, depending on how often you do this type of work.



To reduce your exposure to these chemicals work in a well ventilated area and use approved safety equipment, such as dust masks that are specially designed to filter out microscopic particles.

---

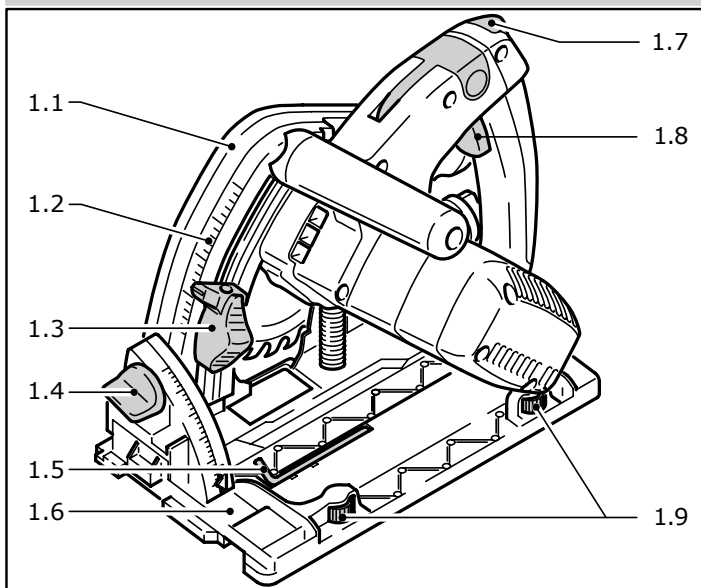
## Technical data

Power consumption	1 600 W
No load speed	1350 - 3550 rpm
Angle of cut	0° - 45°
Depth of cut at:	
90°	75 mm (3.0")
45°	56 mm (2.2")
Saw blade diameter	210 mm (8.27")
Saw blade hole diameter	30 mm (1.18")
Weight	6.1 kg (13.4 lbs)
Safety	☐ acc. to UL 60745, CSA C22.2 No. 745

## Symbols

V	volts
A	amperes
Hz	hertz
W	watt
~	alternating current
$n_0$	no load speed
☐	Class II Construction
rpm	revolutions per minute

## Functional description



- 1.1 Protective cover
- 1.2 Cutting depth scale
- 1.3 Cutting depth end stop
- 1.4 Setscrew for angle adjustment
- 1.5 Hexagon socket wrench
- 1.6 Saw table
- 1.7 Switching on and unlocking block
- 1.8 On/Off switch
- 1.9 Guide jaws

## Use for intended purpose

The hand-operated circular saw TS 75 EQ is designed exclusively for the sawing of wood,

wood-like materials and plastics. With the special saw blades for aluminium offered by Festool, these machines can also be used for sawing aluminium.

The machine should not be converted or modified, e.g. for any other form of use, other than as specified in these operating instructions.

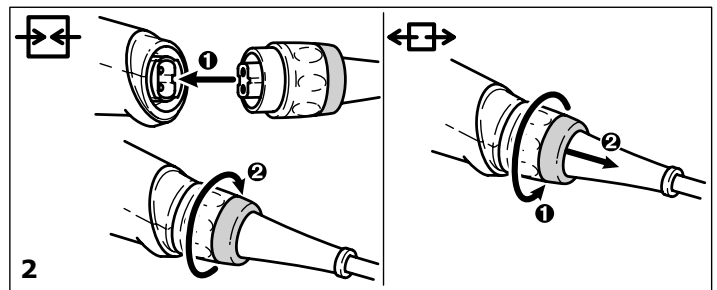
**⚠ WARNING** The user shall be liable for damages and accidents resulting from incorrect use.

## Electrical connection

The network voltage must conform to the voltage indicated on the rating plate. A 16 A safety fuse (for 120 V) or a corresponding protective circuit-breaker is required.

See the following figure for connection and disconnection of the power cord.

**⚠ WARNING** Always switch the tool off before connecting or disconnecting the power cord!



## Extension cable

If an extension cable is required, it must have a sufficient cross-section so as to prevent an excessive drop in voltage or overheating. An excessive drop in voltage reduces the output and can lead to failure of the motor. The table below shows you the correct cable diameter as a function of the cable length for the TS 75 EQ. Use only U.L. and CSA listed extension cables. Never use two extension cables together. Instead, use one long one.

Total Extension Cord Length (feed)	25	50	100	150
Cord size (AWG)	14	12	10	-

**Note:** The lower the AWG number, the stronger the cable.

## Tool settings

**⚠ WARNING** Always disconnect the plug from the power supply before making any adjustments to the circular saw or installing or removing any accessory!

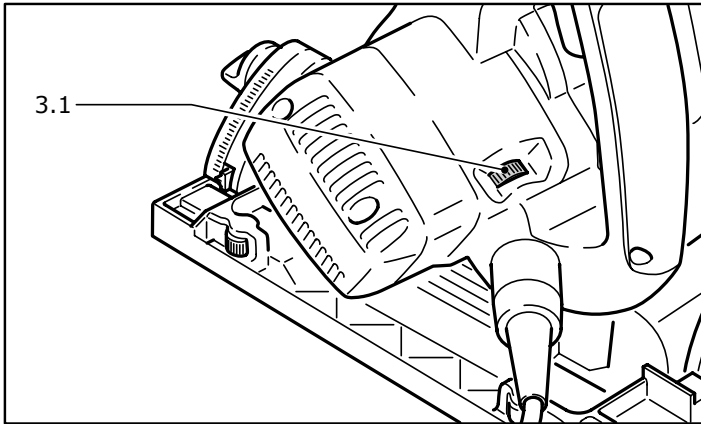
## Electronic control

The TS 75 EQ has solid shaft electronics with the following functions:

### Smooth start-up:

The smooth start-up ensures the machine starts up jolt-free.

### Speed regulation:



The speed controller (3.1) provides infinitely variable setting between 1350 and 3550 rpm of the speed of the saw blade. This enables you to optimize the cutting speed to suit the material.

Material	Speed range
Solid wood (hard, soft) Chipboards and hard fibre boards Laminated wood, blockboards, veneered and coated boards	6 3-6 6
Plastics, fibre-reinforced plastics, paper and fabric Acrylic glass	3-5 4-5
Plaster and cement-bonded fibre boards	1-3
Al Aluminium panels and profiles up to 15 mm	4-6

### Constant speed:

The pre-selected speed remains constant whether the machine is in operation or in no load.

### Temperature cut-out

To prevent overheating, the safety electronics switches the machine off when it reaches a critical motor temperature.

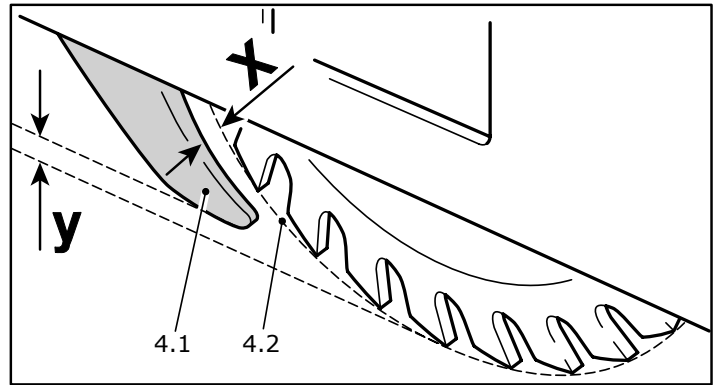
Let the machine cool down for approx. 3-5 minutes before using it again. The machine requires less time to cool down if it is running with no load.

### Current limiting

Current limiting prevents permissibly high current consumption under extreme overload. This can lead to a decrease in the motor speed. The motor immediately restarts after the load is removed.

## Riving knife

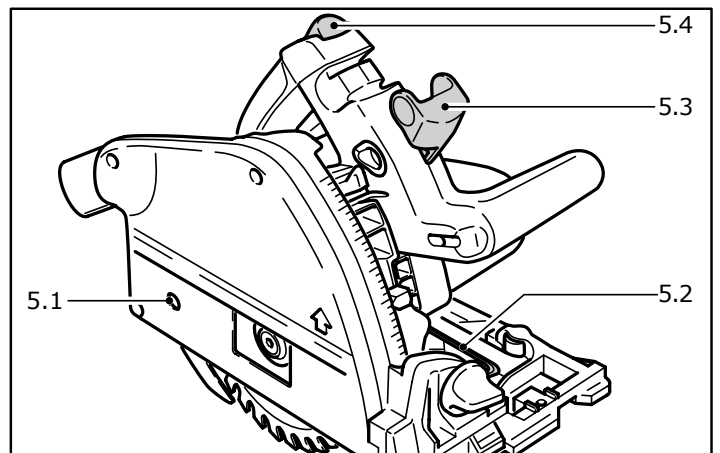
**⚠ WARNING** The TS 75 EQ is fitted with a riving knife (4.1) as standard. All saw work should, for safety reasons, only be carried out with the riving knife installed and correctly set!



The riving knife must be set so that

- the distance between riving knife and cutting circle (4.2) of the saw blade is 2 to 4 mm (measurement x), and
- the saw blade is set 2 to 4 mm above the riving knife (measurement y).

### Setting the riving knife:



- Move lever (5.3) as far as it will go,
- push switch lock (5.4) up and push sawing unit down until it locks into place,
- loosen screw (5.1) with Allen key (5.2),
- set spacer wedge as shown in picture 4,
- tighten screw (5.1),
- put lever (5.3) back.

## Saw blade

**⚠ WARNING** Check regularly whether the saw blade is in good condition. Saw blades which are cracked or have changed shape should no longer be used, but changed immediately!

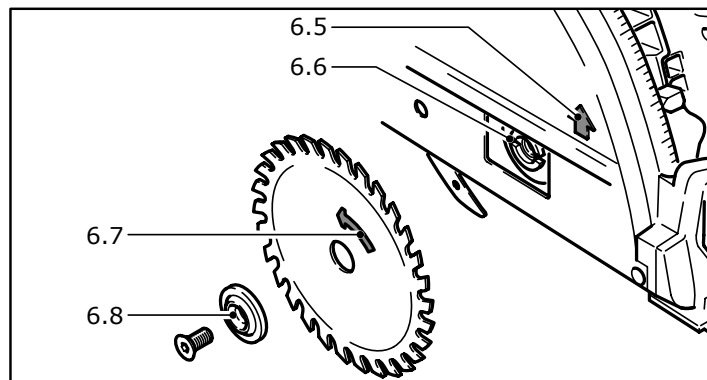
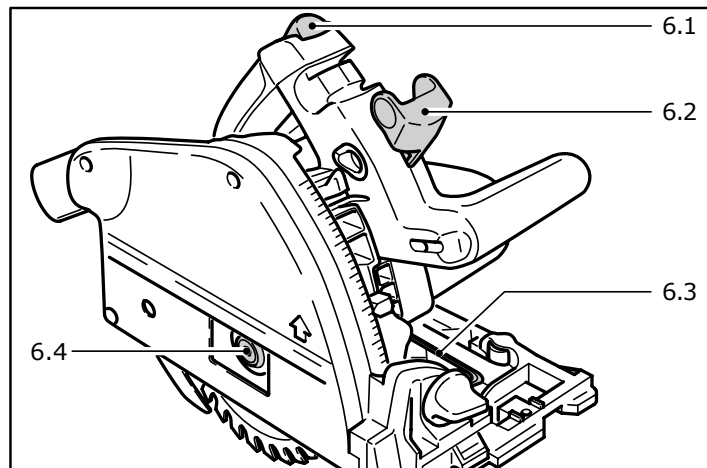
When selecting the saw blades it is essential that the following points are observed:

- Do not use saw blades made of high alloy high speed steel (HSS circular saws), as otherwise there is a great danger of kickback.
- Use only saw blades that have an outside diameter of 210mm.
- The bore diameter of the saw blade holder should be 30 mm.
- Use only saw blades with a fundamental thickness of max. 1.8 mm and a cutting width of 2.4 to 2.6 mm.

The TS 75 EQ was tested with Festool saw blades listed in the Festool catalogue. For your own safety, we recommend that you use only those saw blades.

To change the saw blade, place the circular saw on the saw bench so that the saw blade protrudes a few millimetres beyond the edge of the bench. Remember that saw blades are made for sawing and the cutting edges are correspondingly sharp. So handle the saw blade with care.

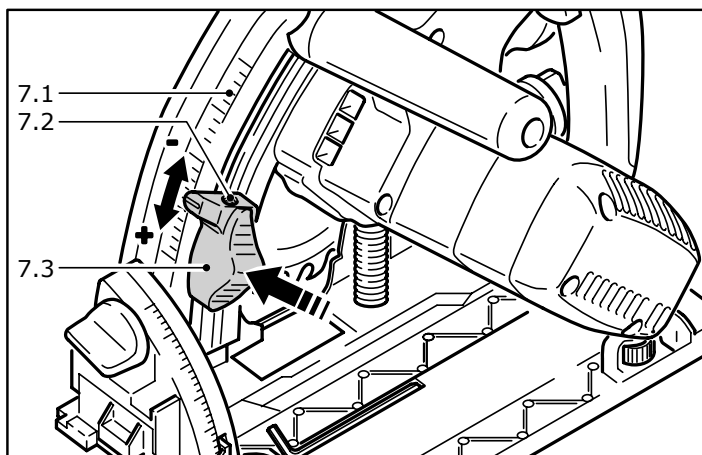
### Changing the saw blade



- Move lever (6.2) as far as it will go,
- push switch lock (6.1) up and push sawing unit down until it locks into place,
- loosen screw (6.4) with Allen key (6.3),
- remove saw blade,
- clean the flanges (6.6, 6.8),
- insert new saw blade. **⚠WARNING** The direction of rotation of the saw blade (6.7) and the machine (6.5) must be the same.
- Insert outer flange (6.8) such that the locking pins engage into the notches on the inner flange (6.6),
- tighten screw (6.4),
- put lever (6.2) back.

### Cutting depth

The cutting depth can be set at 0 – 75 mm:



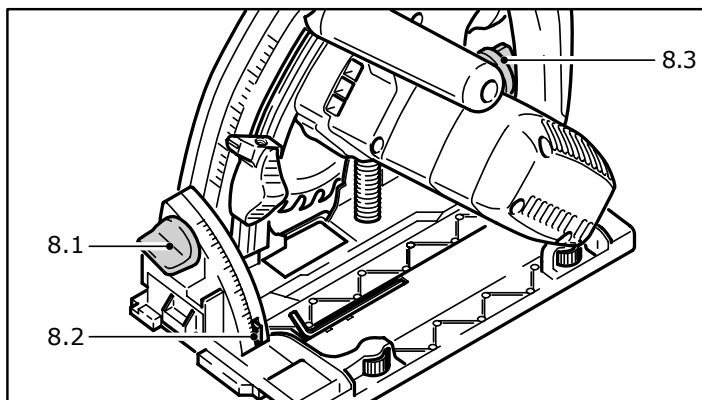
- Press the cutting depth stop (7.3) and move it to the desired cutting depth (the values specified on the scale (7.1) apply to 0° cuts without guide rail),
- Release the cutting depth stop (the cutting depth stop notches along in 1 mm-steps).

The sawing unit can now be pressed down to the set cutting depth.

A grub screw (M 4 x 8 to M 4 x 12) can be screwed into the hole (7.2) on the cutting depth stop. By turning the grub screw, the cutting depth can be set even more exactly ( $\pm 0.1$  mm).

### Cutting angle

The sawing unit can be swivelled between 0° and 45°:

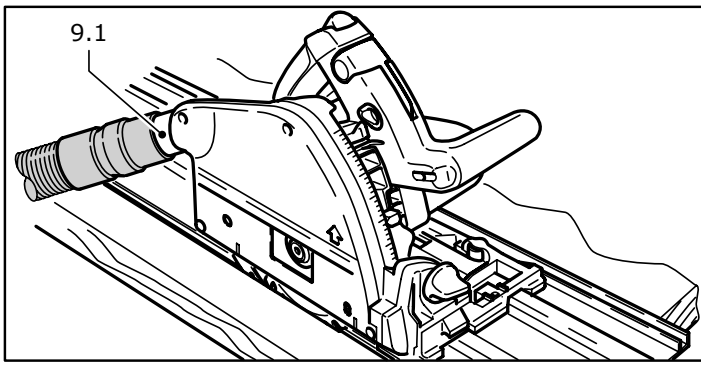


- Loosen rotary knobs (8.1, 8.3),
- Swivel sawing unit to the desired cutting angle (8.2),
- Retighten rotary knobs.

**Note:** both end positions (0° and 45°) are set at the factory and can be readjusted by the after-sales service team.

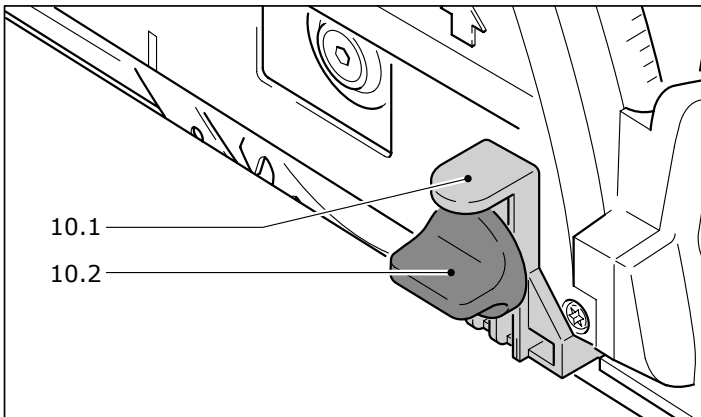
### Dust extraction

Particularly for work in closed areas, we recommend that you connect your circular saw to a chip extractor. This will enable you to reduce the dust load in the air, ensuring that your workplace is clean and improving the quality of your work.



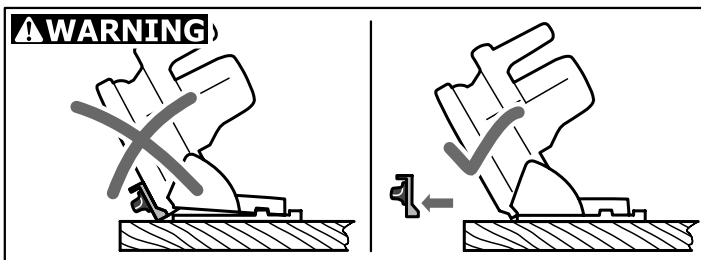
A Festool dust extractor with an extractor hose diameter of 36 mm or 27 mm (36 mm recommended due to the reduced risk of clogging) can be connected to the rotating extractor connector (9.1)

## Mounting the splinterguard



The splinterguard (accessories) significantly improves the quality of the cutting edge of the sawn workpiece on the upper side for 0° cuts.

- Attach splinterguard (10.1) onto the protective cover,
- Place machine onto the workpiece or the guide rail,
- Press splinterguard down until it sits on the workpiece and tighten it with the rotary knob (10.2).
- Saw splinterguard in (machine to maximum cutting depth and speed range 1).

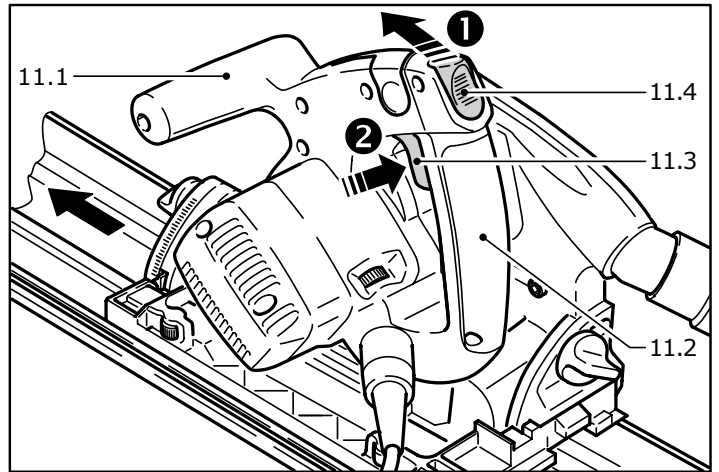


**Use the splinterguard only for 0° cuts. Always remove the splinterguard for mitre cuts.** When making mitre cuts, the splinterguard raises the portable circular saw from the workpiece, which can lead to serious injuries.

## Operation

**WARNING** Read and understand the safety instructions before starting work!

## Switching the machine on and off



**WARNING** Keep the machine steady during switching and during use by holding the handle (11.2) and the additional handle (11.1) with both hands.

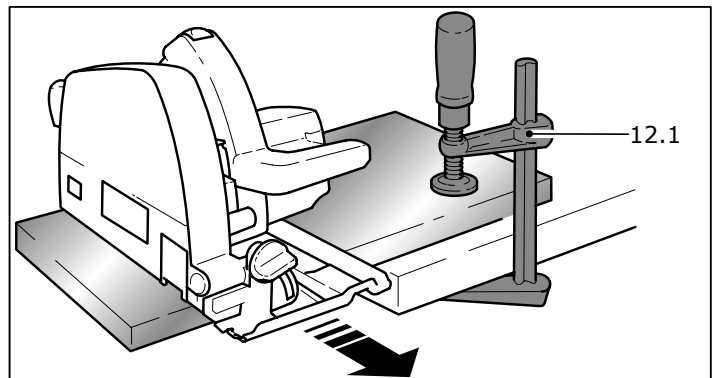
To switch on, first push the cut-in and release block (11.4) forwards, and then press the „On“-“Off” switch (11.3). You can then press the machines down for sawing, and release the cut-in and release block.

To switch off, release the „On“-“Off” switch.

**WARNING** After the machine has been switched off, the saw blade will still rotate for a time. Take care that parts of your body do not come into contact with the saw blade while it is still rotating!

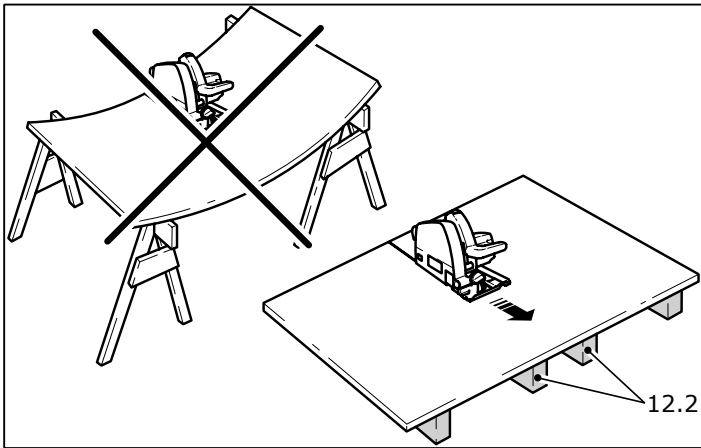
As soon as you remove the machine from the workpiece once sawing has been completed, the machine automatically returns to its basic position and the saw blade is again completely covered by the protective covering.

## Support of the workpieces



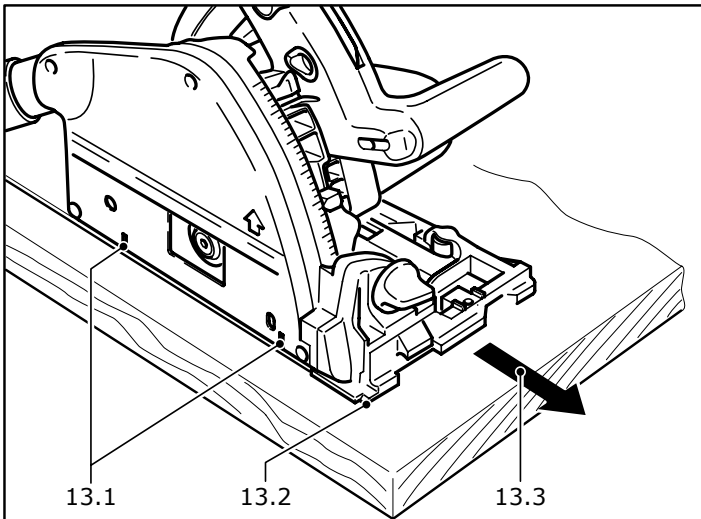
Ensure that your workpieces are securely fixed and cannot move during sawing. Otherwise, there is an increased risk of accident. Never hold the workpiece to be cut with your hands or between your legs. Use instead screw clamps (12.1) or some other suitable devices to fix your workpiece.





Never position large or long workpieces so that they bend in the middle or at the cutting face. This can lead to the saw blade jamming and recoiling. Instead, support the workpiece with several wooden battens (12.2), particularly in the vicinity of the cutting face.

## Sawing



**⚠ WARNING** The machine must reach full speed before cutting begins and should only be switched off once cutting has finished.

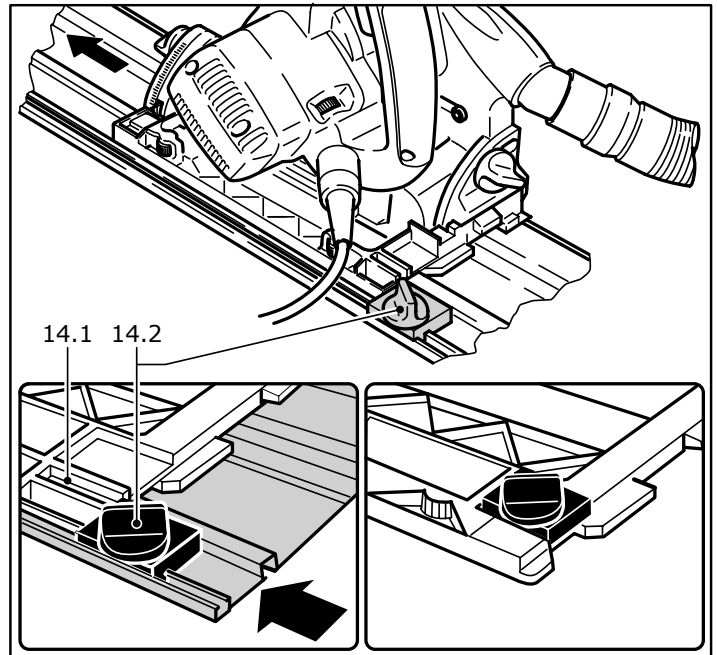
**⚠ WARNING** Only operate the saw away from you (pushing the circular saw forwards, 13.3) and never towards you (pulling the circular saw backwards). If you saw towards you, there is the danger that the circular saw might be accelerated out of the cutting groove (recoil) and cause serious injury.

### A) Sawing sections:

- Place the front part of the saw bench on the workpiece. The cutting indicator (13.2) displays the cutting line for 0° and 45° cuts (without guide rail).
- Switch the machine on, and press the saw down to the set cutting depth.
- Push the machine in the direction of cut. Take care that the saw bench remains firmly on the workpiece.
- Switch the machine off when cutting is completed.

### B) Plunge cuts:

**⚠ WARNING** In order to avoid kickbacks, the following instructions absolutely must be observed when plunge cutting:



- The machine must always be placed with the rear edge of the saw table against a fixed stop. When working with the guide rail, the tool must be placed at the kickback stop (14.2), which is firmly clamped on the guard rail. When not in use, the kickback stop can be kept in safe keeping at the guide plate (14.1) of the machine.
- The machine must always be held securely with both hands and only plunged slowly.

**Procedure:** place the machine onto the workpiece and position it against a stop (kickback stop), switch the machine on, slowly press it down onto the set cutting depth and push it forward in the cutting direction.

The markings (13.1) display the absolute front and the absolute rear cutting points of the saw blade (dia. 160 mm) at maximum cutting depth and using the guide rail.

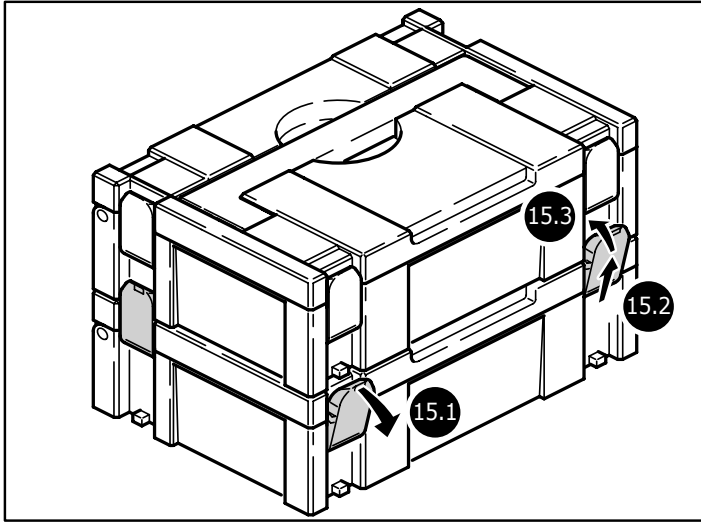
### C) Sawing aluminium

**⚠ WARNING** When sawing aluminium, the following measures must be taken for safety reasons:

- Pre-connect a residual current circuit-breaker.
- Connect the machine to a suitable dust extractor.
- Clean the machine regularly of dust deposits in the motor housing and in the protective cover.
- Wear protective goggles.
- Aluminium must only be sawed with the special saw blades from Festool designed for this purpose.
- When sawing panels, they must be lubricated with petroleum, thin-walled profiles (up to 3 mm) can be sawed without lubrication.

## Systainer

Many Festool products are shipped in a unique system container, called "Systainer". This provides protection and storage for the tool and accessories. The Systainers are stackable and can be interlocked together. They also can be interlocked atop Festool CT dust extractors.



- Place one systainer on top of the other.
- Release all four latches on the lower systainer by pulling back at their top edges (15.1).
- Slide all four latches upward (15.2).
- Snap all four latches back to their flat position (15.3) so they engage the stacking tabs of the upper systainer.

## Servicing and maintenance

**⚠ WARNING** Any maintenance or repair work that requires opening of the motor or gear housing should only be carried out by an authorised Customer Service Centre (name supplied by your dealer) ! Maintenance or repair work carried out by an unauthorised person can lead to the wrong connection of the power leads or other components, which in turn can lead to accidents with serious consequences.

**⚠ WARNING** To prevent accidents, always remove the plug from the power supply socket before carrying out any maintenance or repair work on the machine! Do not use compressed air to clean the electrical tool! Do not try to clean parts inside the machine in this way, as you could let foreign objects in through the openings of the machine housing.

**⚠ CAUTION** Certain cleaning agents and solvents are harmful to plastic parts. Some of these are: gasoline, carbonyl chloride, cleaning solutions containing chlorine, ammonia and household cleaners containing ammonia.

- To assure the circulation of air, the cool air vents in the motor housing must always be kept clear and clean.

- This unit is fitted with special, automatically disconnecting carbon brushes. If these become worn, the current is automatically switched off and the unit shuts down. In this case, take the unit to an authorised Customer Service Centre and have the carbon brushes changed.
- After being removed away from the workpiece, the machine automatically returns to its basic position, the saw blade retracts into the protective cover and the cut-in and release block engages once again. If this no longer functions, stop using the hand-operated circular saw and have it repaired immediately by an authorised Customer Service Centre.
- The riving knife must be aligned with the saw blade, and should not be crooked. A faulty riving knife must be replaced immediately. Under no circumstances use the saw without the riving knife because of the increased risk of recoil.
- Even with proper usage the teeth of the saw blade become blunt in time. Change the saw blade as soon as you notice that you need a greater force to push the machine during sawing or the quality of cut has deteriorated. Take blunt saw blades back to an authorised Customer Service Centre for re-sharpening. Take the saw blades out when you want to clean them of resin and wood. Use kerosene for cleaning the saw blades.

## Accessories

The order numbers for these and for other accessories that allow you to use your Festool portable circular saw effectively and in many ways, can be found in the Festool catalogue or on the Internet under [www.festool-usa.com](http://www.festool-usa.com).

### Parallel stop, table widener

A parallel stop can be used for section widths up to 180 mm.

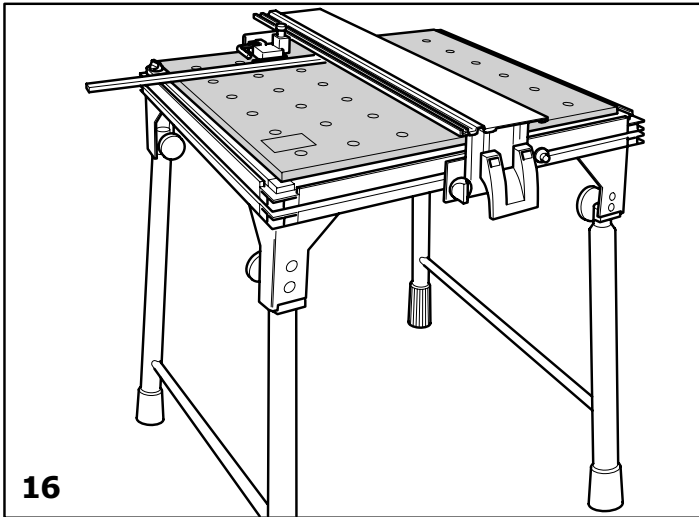
The parallel stop can also be used as a table widener.

### Side-mounted cover, false joints

The cover that can be mounted on the side of the protective cover improves the effect of dust extraction for 0° cuts.

Simultaneously, the cover can be used as a false joint stop for false joint widths from 18 mm onwards.

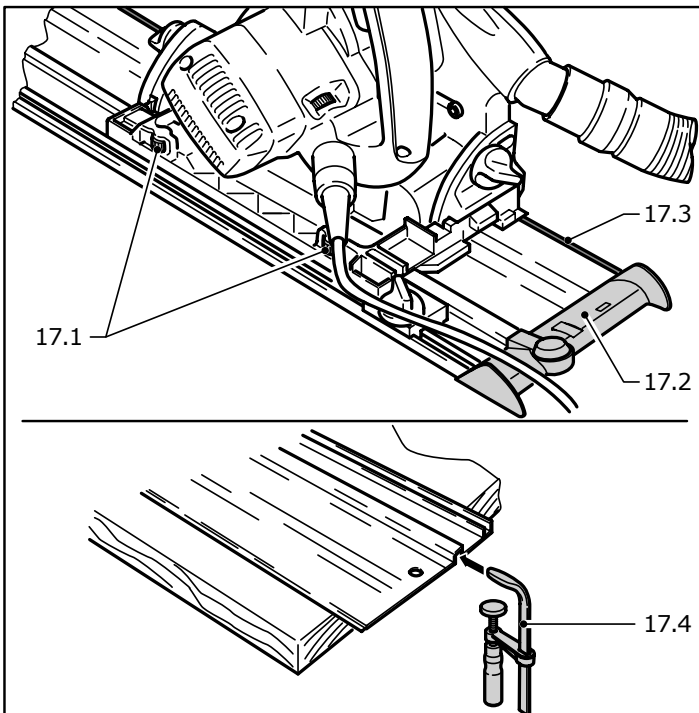
## Multifunction table



The multifunction table, which is available in two sizes (MFT 800, MFT 1080), makes clamping the workpiece easy and allows you to saw large and small workpieces safely and precisely using the guide system. Its many fields of application make economical and ergonomically convenient work possible.

## Guide system

The guide rails, which are available in different lengths, allow for precise, clean cuts and simultaneously protect the workpiece surface against damage. In conjunction with the extensive range of accessories, exact angled cuts, mitre cuts and fitting work can be completed with the guide system.

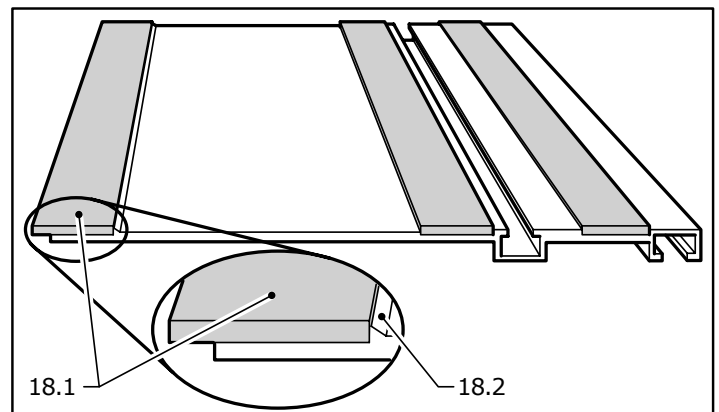


The option of securing using G-clamps (17.4) ensures a firm hold and safe working. The optional cord guide (17.2) prevents the power cord and vacuum hose from catching on the end of the guide rail.

The guide clearance of the saw table on the guide rails can be set with the two setting jaws (17.1).

The guide rails are equipped with a splinterguard (17.3, 18.1), which prevents splintering of the workpiece by holding the top edge of the workpiece down as the teeth of the sawblade move upward against it. The splinterguard has to be cut to size before the first use:

- Set the speed of the machine to level 6,
- Place the machine on the rear end of the guide rail,
- Switch the machine on, press it down to the set cutting depth and cut the splinterguard along the full length without interruption. The edge of the splinterguard now corresponds exactly to the cutting edge.



The splinter guard needs to be replaced if it becomes damaged or worn:

- Peel the original splinter guard (18.1) away from the guide rail.
- As needed, clean residual adhesive and debris from the guide rail.
- Peel off the plastic backing from the new splinter guard to expose the adhesive.
- Without stretching the rubber, carefully place the new splinter guard on the underside of the guide rail tight to the alignment rib (18.2).
- Make sure the splinter guard is firmly pressed down to the guide rail.
- Trim the splinter guard as described before.

## Saw blades, other accessories

In order to be able to saw different materials quickly and cleanly, Festool offers saw blades that are specially designed for your machine.

The order numbers for the saw blades and other accessories can be found in the Festool catalogue or on the Internet under **[www.festool-usa.com](http://www.festool-usa.com)**.

## Warranty

### Conditions of 1+2 Warranty

You are entitled to a free extended warranty (1 year + 2 years = 3 years) for your Festool power tool. Festool shall be responsible for all shipping costs during the first year of the warranty. During the second and third year of the warranty the customer is responsible for shipping the tool to Festool. Festool will pay for return shipping to the customer using UPS Ground Service. All warranty service is valid 3 years from the date of purchase on your receipt or invoice.

### Festool Limited Warranty

This warranty is valid on the pre-condition that the tool is used and operated in compliance with the Festool operating instructions. Festool warrants, only to the original consumer purchaser, that the specified tool will be free from defects in materials and workmanship for a term of one year from the date of procurement. Festool makes no other warranty, express or implied, for Festool portable power tools. No agent, representative, distributor, dealer or employee of Festool has the authority to increase or otherwise change the obligations or limitations of this warranty. The obligations of Festool in its sole discretion under this warranty shall be limited to the repair or replacement of any Festool portable power tool that is found to be defective as packaged with the User Manual.

Excluded from coverage under this warranty are: normal wear and tear; damages caused by misuse, abuse or neglect; damage caused by anything

other than defects in material and workmanship. This warranty does not apply to accessory items such as circular saw blades, drill bits, router bits, jigsaw blades, sanding belts, and grinding wheels. Also excluded are "wearing parts", such as carbon brushes, lamellas of air tools, rubber collars and seals, sanding discs and pads, and batteries.

Festool portable power tools requiring replacement or repair are to be returned with the receipt of purchase to Festool (call 800-554-8741 for address details).

**IN NO EVENT SHALL FESTOOL BE LIABLE FOR ANY CONSEQUENTIAL OR INCIDENTAL DAMAGES FOR BREACH OF THIS OR ANY OTHER WARRANTY, EXPRESSED OR IMPLIED WHATSOEVER. ALL WARRANTIES IMPLIED BY STATE LAW, INCLUDING THE IMPLIED WARRANTIES OF MERCHANTABILITY AND FITNESS FOR A PARTICULAR PURPOSE, ARE HEREBY LIMITED TO THE DURATION OF THREE YEARS.**

Some states in the U.S. and some Canadian provinces do not allow the limitations on how long an implied warranty lasts, so the above limitation may not apply to you. With the exception of any warranties implied by state or province law as hereby limited, the foregoing express limited warranty is exclusive and in lieu of all other warranties, guarantees, agreements and similar obligations of Festool.

This warranty gives you specific legal rights and you may also have other rights which vary from state to state in the U.S. and province to province in Canada.

## Table des matières

Règles de sécurité générales .....	13
Règles de sécurité particulières supplémentaires .....	14
Caractéristiques techniques .....	16
Symbole .....	16
Description fonctionnelle .....	16
Utilisation conforme .....	17
Raccordement électrique .....	17
Réglages de l'outil .....	17
Réglage électronique .....	17
Ecarteur .....	18
Lame de scie .....	18
Profondeur de coupe .....	19
Angle de coupe .....	19
Aspiration .....	19
Montage du pare-éclats .....	19
Utilisation .....	20
Mise en marche et arrêt de la machine .....	20
Appui des pièces .....	20
Travaux de sciage .....	21
Systainer .....	21
Maintenance et entretien .....	22
Accessoires .....	22
Guide parallèle, élargisseur de table .....	22
Garantie .....	24

## Règles de sécurité générales

**⚠️ AVERTISSEMENT** Assurez-vous de lire et de bien comprendre toutes les instructions. Le non-respect, même partiel, des instructions ci-dessous peut entraîner un risque de choc électrique, d'incendie et/ou de blessures graves.

### CONSERVEZ CES INSTRUCTIONS

#### 1) Sécurité de aire de travail

**a) Maintenez l'endroit de travail propre et bien éclairé.** Un lieu de travail en désordre ou mal éclairé augmente le risque d'accidents.

**b) N'utilisez pas l'appareil dans un environnement présentant des risques d'explosion et où se trouvent des liquides, des gaz ou poussières inflammables.** Les outils électroportatifs génèrent des étincelles risquant d'enflammer les poussières ou les vapeurs.

**c) Tenez les enfants et autres personnes éloignés durant l'utilisation de l'outil électroportatif.** En cas d'inattention vous risquez de perdre le contrôle sur l'appareil.

#### 2) Sécurité électrique

**a) La fiche de secteur de l'outil électroportatif doit être appropriée à la prise de courant.**

**Ne modifiez en aucun cas la fiche. N'utilisez pas de fiches d'adaptateur avec des appareils avec mise à la terre.** Les fiches non modifiées et les prises de courant appropriées réduisent le risque de choc électrique.

**b) Evitez le contact physique avec des surfaces mises à la terre tels que tuyaux, radiateurs, fours et réfrigérateurs.** Il y a un risque élevé de choc électrique au cas où votre corps serait relié à la terre.

**c) N'exposez pas l'outil électroportatif à la pluie ou à l'humidité.** La pénétration d'eau dans un outil électroportatif augmente le risque d'un choc électrique.

**d) N'utilisez pas le câble à d'autres fins que celles prévues, n'utilisez pas le câble pour porter l'appareil ou pour l'accrocher ou encore pour le débrancher de la prise de courant. Maintenez le câble éloigné des sources de chaleur, des parties grasses, des bords tranchants ou des parties de l'appareil en rotation.** Un câble endommagé ou torsadé augmente le risque d'un choc électrique.

**e) Au cas où vous utiliseriez l'outil électroportatif à l'extérieur, utilisez une rallonge autorisée homologuée pour les applications extérieures.** L'utilisation d'une rallonge électrique homologuée pour les applications extérieures réduit le risque d'un choc électrique.

**f) Ne tenez l'outil qu'à l'aide des poignées isolées, lorsque vous êtes susceptibles de toucher des lignes électriques cachées ou votre propre câble électrique, lorsque vous travaillez avec des outils de tronçonnage.** Si des outils de tronçonnage touchent des lignes électriques, des pièces métalliques de l'outil peuvent être mises sous tension et asséner une décharge électrique à l'utilisateur.

#### 3) Sécurité des personnes

**a) Restez vigilant, surveillez ce que vous faites. Faites preuve de bon en utilisant l'outil électroportatif. N'utilisez pas l'appareil lorsque vous êtes fatigué ou après avoir consommé de l'alcool, des drogues ou avoir pris des médicaments.** Un moment d'inattention lors de l'utilisation de l'appareil peut entraîner de graves blessures sur les personnes.

**b) Portez des équipements de protection. Portez toujours des lunettes de protection.** Le fait de porter des équipements de protection personnels tels que masque anti-poussières, chaussures de sécurité antidérapantes, casque de protection ou protection acoustique suivant le travail à effectuer, réduit le risque de blessures.

**c) Evitez une mise en service par mégarde. Assurez-vous que l'interrupteur est effecti-**

**vement en position d'arrêt avant de retirer la fiche de la prise de courant.** Le fait de porter l'appareil avec le doigt sur l'interrupteur ou de brancher l'appareil sur la source de courant lorsque l'interrupteur est en position de fonctionnement, peut entraîner des accidents.

**d) Enlevez tout outil de réglage ou toute clé avant de mettre l'appareil en fonctionnement.** Une clé ou un outil se trouvant sur une partie en rotation peut causer des blessures.

**e) Ne surestimez pas vos capacités. Veillez à garder toujours une position stable et équilibrée.** Ceci vous permet de mieux contrôler l'appareil dans des situations inattendues.

**f) Portez des vêtements appropriés. Ne portez pas de vêtements amples ni de bijoux. Maintenez cheveux, vêtements et gants éloignés des parties de l'appareil en rotation.** Des vêtements amples, des bijoux ou des cheveux longs peuvent être happés par des pièces en mouvement.

**g) Si des dispositifs servant à aspirer ou à recueillir les poussières doivent être utilisés, vérifiez que ceux-ci soient effectivement raccordés et qu'ils sont correctement utilisés.** L'utilisation de tels dispositifs réduit les dangers dus aux poussières.

#### **4) Utilisation et entretien des outils**

**a) Ne surchargez pas l'appareil. Utilisez l'outil électroportatif approprié au travail à effectuer.** Avec l'outil électroportatif approprié, vous travaillerez mieux et avec plus de sécurité à la vitesse pour laquelle il est prévu.

**b) N'utilisez pas un outil électroportatif dont l'interrupteur est défectueux.** Un outil électroportatif qui ne peut plus être mis en ou hors fonctionnement est dangereux et doit être réparé.

**c) Retirer la fiche de la prise de courant avant d'effectuer des réglages sur l'appareil, de changer les accessoires, ou de ranger l'appareil.** Cette mesure de précaution empêche une mise en fonctionnement par mégarde.

**d) Gardez les outils électroportatifs non utilisés hors de portée des enfants. Ne permettez pas l'utilisation de l'appareil à des personnes qui ne se sont pas familiarisées avec celui-ci ou qui n'ont pas lu ces instructions.** Les outils électroportatifs sont dangereux lorsqu'ils sont utilisés par des personnes non initiées.

**e) Prenez soin des outils électroportatifs. Vérifiez que les parties en mouvement fonctionnent correctement et qu'elles ne soient pas coincées, et contrôlez si des parties sont cassées ou endommagées de telle sorte que le bon fonctionnement de l'appareil s'en trouve entravé. Faites réparer les parties**

**endommagées avant d'utiliser l'appareil.** De nombreux accidents sont dus à des outils électroportatifs mal entretenus.

**f) Maintenez les outils de coupe aiguisés et propres.** Des outils soigneusement entretenus avec des bords tranchants bien aiguisés se coincent moins souvent et peuvent être guidés plus facilement.

**g) Utilisez les outils électroportatifs, les accessoires, les outils à monter etc. conformément à ces instructions et aux prescriptions en vigueur pour ce type d'appareil. Tenez compte également des conditions de travail et du travail à effectuer.** L'utilisation des outils électroportatifs à d'autres fins que celles prévues peut entraîner des situations dangereuses.

#### **5) Entretien et réparation**

**a) Ne faites réparer votre outil électroportatif que par un personnel qualifié et seulement avec des pièces de rechange d'origine.** Ceci permet d'assurer la sécurité de l'appareil.

#### **Règles de sécurité particulières supplémentaires pour scies circulaires portatives**

**a) DANGER! N'approchez pas les mains de la zone de coupe ou de la lame. Gardez l'autre main sur la poignée auxiliaire ou sur le carter du moteur.** En tenant l'outil avec vos deux mains, vous mettez celles-ci à l'abri de la lame.

**b) N'étendez pas la main sous le matériau à scier.** Le protecteur inférieur de l'outil est inopérant à cet endroit.

**c) Adaptez la profondeur de coupe à l'épaisseur de la pièce à travailler.** Les dents ne doivent pas être complètement visibles sous la pièce à travailler.

**d) Ne maintenez jamais le matériau à scier dans vos mains ou sur votre jambe. Fixez la pièce à travailler sur un support stable.** Il importe de soutenir le matériau correctement, afin de ne pas vous exposer inutilement et de réduire le risque de coincement de la lame ou de dérapage de l'outil.

**e) Tenez l'outil par ses surfaces de prise isolées pendant toute opération où l'outil de coupe pourrait venir en contact avec un câblage dissimulé ou avec son propre cordon.** En cas de contact avec un conducteur sous tension, les pièces métalliques à découvert de l'outil transmettraient un choc électrique à l'utilisateur.

**f) Lorsque que vous refendez, utilisez toujours un guide longitudinal.** Cela améliore la précision de la coupe et réduit le risque de coincement de la lame.

**g) Employez toujours une lame de diamètre approprié et dont le trou central est de forme correcte (angulaire ou ronde).** Une lame dont le trou ne correspond pas à la forme du moyeu de fixation de la scie risque de tourner de façon excentrique et de vous faire perdre la maîtrise de l'outil.

**h) N'utilisez jamais un boulon ou une rondelle de lame endommagé ou incorrect.** Les boulons et rondelles de fixation de la lame sont conçus spécialement pour votre scie et jouent un rôle essentiel dans le bon fonctionnement et la sécurité de l'outil.

**i) Vérifiez, avant chaque utilisation, que le capot de protection est parfaitement fermé. N'utilisez pas la scie si le capot de protection n'est pas mobile et s'il ne se ferme pas instantanément. Ne serrez ou n'attachez jamais le capot de protection en position ouverte.** Si la scie tombait sur le sol de manière involontaire, le capot de protection pourrait se déformer. Assurez-vous que le capot de protection est bien mobile et qu'il n'entre ni en contact avec tous les angles et profondeurs de coupe, ni avec la lame de scie.

**j) Vérifiez l'état et le fonctionnement des ressorts du capot de protection. N'utilisez pas l'appareil si le capot de protection et les ressorts ne fonctionnent pas parfaitement.** Les pièces endommagées, les dépôts ou les tas collants de co-peaux peuvent retarder le fonctionnement du capot de protection.

**k) Pour une "coupe plongeante" non réalisée à la verticale (fausse équerre ne mesurant pas 90°), fixez la plaque de montage de manière à ce qu'elle soit bien calée.** Un décalage latéral peut entraîner le blocage de la lame de scie et, par conséquent, un recul.

**l) Ne posez pas la scie sur l'établi ou sur le sol, sans que le capot de protection ne recouvre la lame de scie.** Une lame de scie non protégée ou fonctionnant au ralenti bouge la scie dans le sens inverse du sens de coupe et scie tout ce qui se trouve sur son chemin. Ainsi, il est indispensable de tenir compte de la durée de ralentissement de la scie.

### **Causes du retour d'outil et prévention par l'utilisateur**

- Le "retour d'outil" est une brusque réaction au pincement, au coincement ou au désalignement de la lame de scie, qui amène la scie à sauter hors du matériau vers l'utilisateur.

- Lorsque la lame est pincée ou coincée par le rétrécissement du trait de scie, la lame se bloque et la réaction du moteur projette l'outil avec force vers l'utilisateur.

- Si la lame se trouve désalignées dans le trait de scie, ses dents arrière peuvent mordre dans le dessus du matériau, ce qui amène la lame à sortir brutalement du trait de scie en direction de l'utilisateur.

Le recul résulte d'une utilisation incorrecte de l'outil ou de mauvaises conditions d'utilisation. On peut le prévenir en prenant les précautions adéquates ci-après:

**a) Tenez fermement la scie à deux mains et placez vos bras dans une position dans laquelle vous serez en mesure de résister à la force du recul. Tenez toujours la lame de scie de manière latérale, ne placez jamais la lame de scie dans l'axe de votre corps.** Lors d'un recul, la scie circulaire peut sauter en arrière mais l'utilisateur peut contrôler la force du recul s'il respecte les mesures appropriées.

**b) Lorsque la lame se coince ou que vous interrompez une coupe pour une raison quelconque, lâchez la détente et maintenez la scie immobile dans le trait de scie jusqu'à ce que la lame s'arrête complètement. Ne cherchez jamais à sortir la scie du matériau ou à reculer la scie pendant que la lame est encore en mouvement, car vous vous exposeriez à un recul.** Si la lame a tendance à se coincer, recherchez-en la cause et apportez les correctifs appropriés.

**c) Lorsque vous redémarrez l'outil dans un trait de scie, centrez la lame dans celui-ci et assurez-vous que les dents de la lame ne mordent pas dans le matériau.** Si la lame est coincée, l'outil risque de reculer ou de sauter en arrière au moment du démarrage de l'outil.

**d) Soutenez adéquatement les grands panneaux afin de réduire au minimum le risque de pincement de la lame et de recul.** Les grands panneaux ont tendance à s'affaisser sous leur propre poids. Placez des points d'appui sous le panneau des deux côtés, près de la ligne de coupe et près des bords du panneau.

**e) N'utilisez jamais une lame émoussée au endommagée.** Une lame mal affûtée ou mal avoyée produit un trait de scie étroit qui donne lieu à un trottement excessif, au coincement de la lame et à un recul.

**f) Les manettes de profondeur et d'angle de coupe doivent être bien bloquées.** Si ces manettes se débloquent pendant la coupe, il peut en résulter un coincement et un retour d'outil.

**g) Soyez particulièrement prudent lorsque vous découpez une ouverture dans une cloison existante ou tout autre matériau dont l'arrière n'est pas visible.** La lame pourrait rencontrer un objet dur, ce qui provoquerait un recul.

## Guide-lame

**a) Utilisez le guide-lame adapté pour la lame de scie amovible.** Ce guide-lame doit avoir une épaisseur supérieure à celle de la lame de base de la lame de scie, mais plus fine que la largeur de coupe de la lame de scie.

**b) Ajustez le guide-lame en suivant les instructions décrites dans le mode d'emploi.** Une épaisseur, une position ou un alignement incorrects peuvent expliquer que le guide-lame ne parvienne pas à éviter efficacement un éventuel recul.

**c) Utilisez toujours le guide-lame, même pour les "coupes plongeantes".** Le guide-lame doit être inséré en exerçant une poussée vers le haut et il se met ensuite sur ressort après insertion par une avance automatique de la scie circulaire dans la fente de la scie.

**d) Pour que le guide-lame puisse fonctionner, il doit se trouver dans la fente de la scie.** Pour les coupes de courte durée, le guide-lame ne s'avère pas efficace car il ne peut éviter les éventuels reculs.

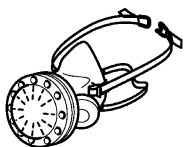
**e) N'utilisez pas la scie avec un guide-lame déformé.** La moindre perturbation peut déjà ralentir la fermeture du capot de protection.

**AVERTISSEMENT POUR RÉDUIRE LE RISQUE DE DOMMAGES, L'UTILISATEUR DOIT LIRE ET COMPRENDRE LE MANUEL D'INSTRUCTION.**

**AVERTISSEMENT** Certaines poussières créées par le ponçage mécanique, le sciage, le meulage, le perçage et autres activités reliées à la construction contiennent des substances chimiques connues (dans l'État de la Californie) comme pouvant causer le cancer, des anomalies congénitales ou représenter d'autres dangers pour la reproduction. Voici quelques exemples de telles substances:

- plomb provenant de peintures à base de plomb,
- silice cristallisée utilisée dans les briques, le ciment et autres matériaux de maçonnerie, et
- arsenic et chrome du bois d'œuvre traité avec un produit chimique.

Le risque d'exposition à de tels produits varie selon la fréquence à laquelle vous faites ce genre de travail.



Pour réduire les risques d'exposition à ces substances chimiques : travaillez dans un endroit adéquatement ventilé et utilisez un équipement de sécurité approuvé, tel que masques antipoussières spécialement conçus pour filtrer les particules microscopiques.

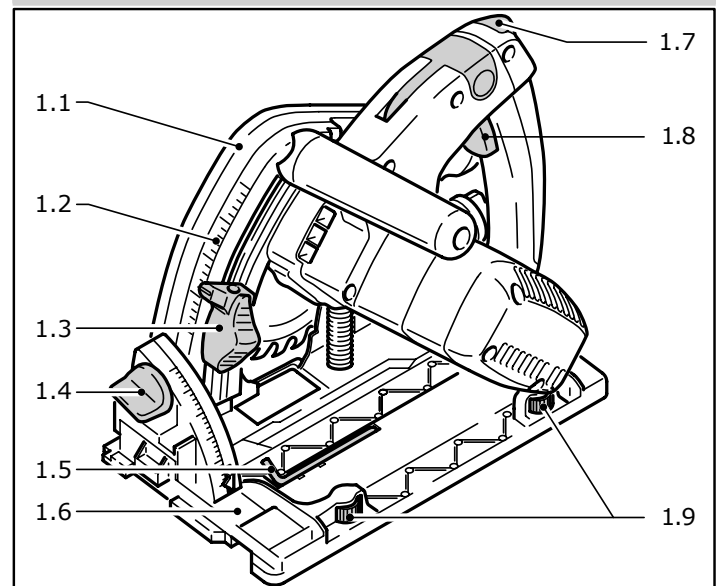
## Caractéristiques techniques

Puissance absorbée	1 600 W
Vitesse à vide	1350 - 3550 tr/min
Inclinaison	0° - 45°
Profondeur de coupe à :	
90°	75 mm (3.0")
45°	56 mm (2.2")
Diamètre de la lame	210 mm (8.27")
Diamètre de l'alésage	30 mm (1.18")
Poids	6.1 kg (13.4 lbs)
Sécurité	☑ selon UL 60745, CSA C22.2 No. 745

## Symbole

V	Volt
A	Ampère
Hz	Hertz
W	Watt
~	Tension alternative
$n_0$	Vitesse de rotation à vide
☑	Classe II conception
tr/min	tours ou courses par minute

## Description fonctionnelle



- 1.1 Capot de protection
- 1.2 Vernier de profondeur de coupe
- 1.3 Butée de profondeur de coupe
- 1.4 Vis de blocage pour le réglage en biais
- 1.5 Clé mâle hexagonale
- 1.6 Table de scie
- 1.7 Bouton de mise en marche et de déverrouillage
- 1.8 Interrupteur marche/arrêt
- 1.9 Joes de guidage



## Utilisation conforme

La scie circulaire manuelle TS 75 EQ est exclusivement destinée à scier du bois, des matériaux similaires aux bois et des matières plastiques. Les lames de scies spéciales pour l'aluminium proposées par Festool permettent d'utiliser les outils pour scier également de l'aluminium.

La machine ne doit pas subir de transformations ou de modifications autres que celles qui sont décrites dans cette notice, par exemple pour toute autre forme d'utilisation.

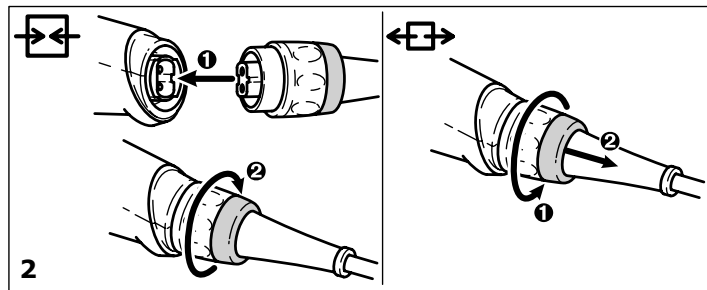
**AVERTISSEMENT** L'utilisateur est tenu responsable de tout dommage et accident en cas d'utilisation non conforme.

## Raccordement électrique

La tension du secteur doit correspondre à l'indication de la tension sur la plaquette signalétique. Un fusible de 16 A (à 120 V) ou un disjoncteur de puissance approprié est nécessaire.

Voir en figure suivante la connexion et la déconnexion du câble de raccordement au secteur.

**AVERTISSEMENT** Avant de brancher ou de débrancher le câble de raccordement secteur, il est absolument indispensable de toujours éteindre la machine !



## Câble de rallonge

Si une rallonge électrique est nécessaire, elle doit présenter une section suffisante afin d'éviter une chute de tension excessive ou une surchauffe. Une chute de tension excessive réduit la puissance et peut entraîner la destruction du moteur. Le tableau ci-contre vous présente la section correcte du câble en fonction de sa longueur pour la TS 75 EQ. Utilisez exclusivement des rallonges recommandées par U.L. et CSA. N'utilisez jamais deux rallonges branchées l'une après l'autre, mais remplacez-les par une rallonge plus longue.

Longueur totale rallonge (pieds)	25	50	100	150
Section du câble (AWG)	14	12	10	-

**Remarque:** plus le numéro AWG est petit, plus la section du câble est grande.

## Réglages de l'outil

**AVERTISSEMENT** Débranchez toujours la fiche de la source de courant avant d'entreprendre quelque réglage que ce soit sur la scie circulaire ou avant de monter/démonter un accessoire!

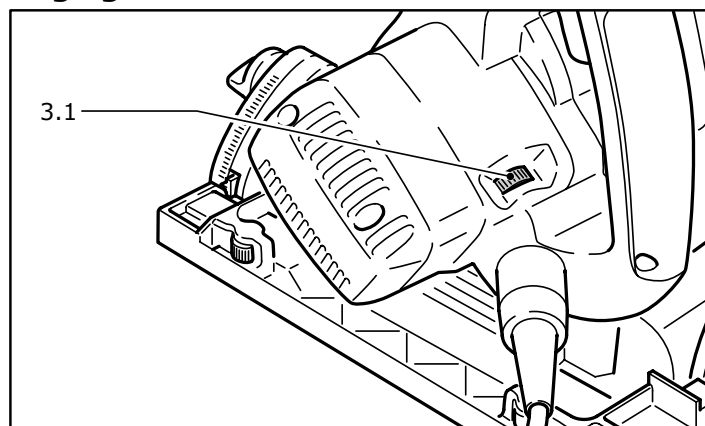
## Réglage électronique

La TS 75 EQ dispose d'une électronique à ondes pleines permettant les fonctions suivantes :

### Démarrage en douceur :

Le démarrage progressif assure un fonctionnement sans à-coups de la machine.

### Réglage de la vitesse de rotation:



Le régulateur de vitesse (3.1) permet de régler progressivement la vitesse de la lame de scie entre 1350 et 3550 tr/min. Vous pouvez ainsi adapter de façon optimale la vitesse de coupe à chaque matériau.

Matériel	Niveau de régime
Bois massif (dur, mou)	6
Panneaux de particules et de fibres dures	3-6
Bois stratifié, panneaux lattés, panneaux contreplaqués et stratifiés	6
Plastiques, plastiques renforcés aux fibres de verre, papier et tissu	3-5
Verre acrylique	4-5
Panneaux de fibres à liant plâtre et à liant ciment	1-3
Plaques en aluminium et profilés en aluminium, 15 mm maxi.	4-6

### Vitesse constante:

Le vitesse sélectionné est maintenu constant en marche à vide et pendant le traitement.

### Sécurité thermique

Pour assurer une protection contre la surchauffe, le système électronique de sécurité arrête la machine dès qu'une température critique du moteur est atteinte.

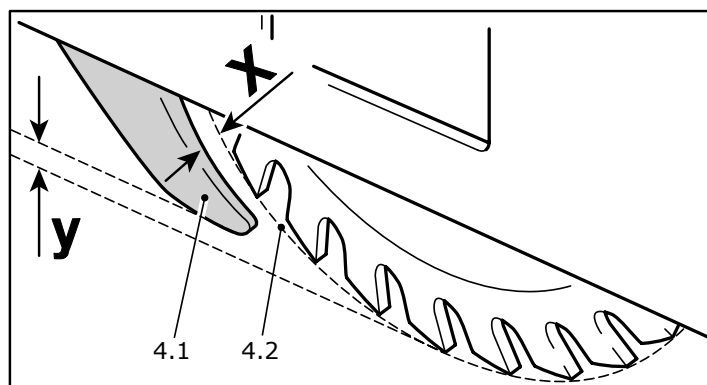
Après une période de refroidissement d'env. 3 à 5 minutes, la machine est à nouveau prête à l'em-

ploi. Le temps de refroidissement diminue quand la machine fonctionne (marche à vide).

### Limitation de courant

La limitation de courant empêche une absorption élevée et autorisée de courant en cas de charge extrême ce qui entraînerait une baisse de la rotation du moteur. Après la décharge le moteur se remet en route.

### Ecarteur

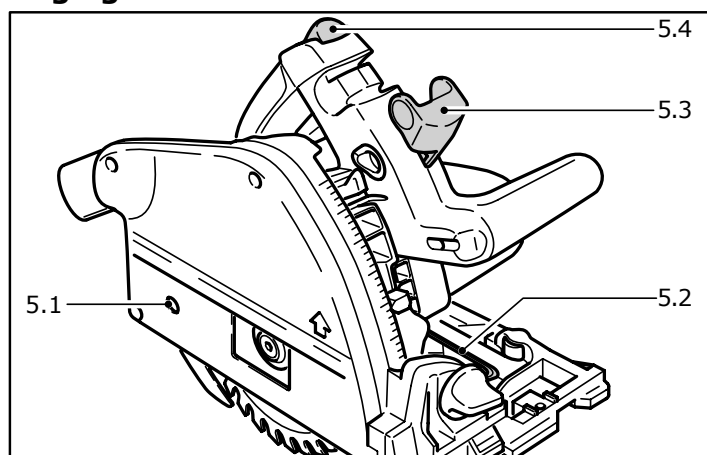


**AVERTISSEMENT** La TS 75 EQ est équipée en série d'un écarteur (4.1). Pour des raisons de sécurité, tous les travaux de sciage peuvent uniquement être réalisés avec un écarteur monté et correctement réglé !

L'écarteur doit être réglé de telle manière que

- la distance entre l'écarteur et la circonférence de coupe (4.2) de la lame de scie mesure de 2 à 4 mm (cote x) et que
- la lame de scie dépasse l'écarteur de 2 à 4 mm (cote y).

### Réglage de l'écarteur:



- Rabattre le levier (5.3) jusqu'à la butée,
- pousser le blocage de démarrage (5.4) vers le haut et appuyer le groupe de sciage vers le bas jusqu'à l'enclenchement,
- ouvrir la vis (5.1) avec la clé allen (5.2),
- régler le guide-lame selon la figure 4,
- serrer la vis (5.1),
- rabattre le levier (5.3).

## Lame de scie

**AVERTISSEMENT** Vérifiez régulièrement si la lame de scie est encore en parfait état. Les lames de scie fissurées ou dont la forme est modifiée ne doivent plus être utilisées, mais être remplacées immédiatement !

Respectez absolument les conseils suivants pour le choix des lames de scie :

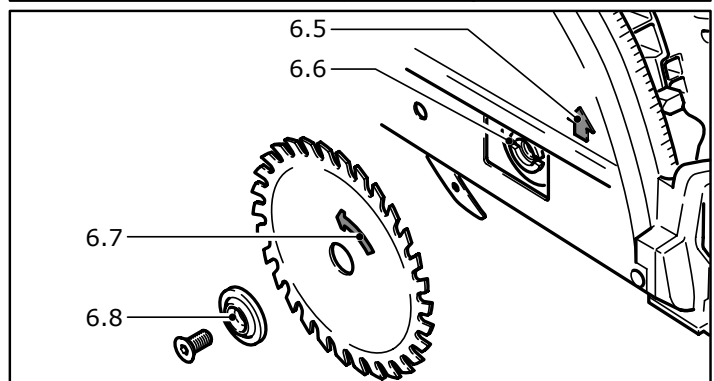
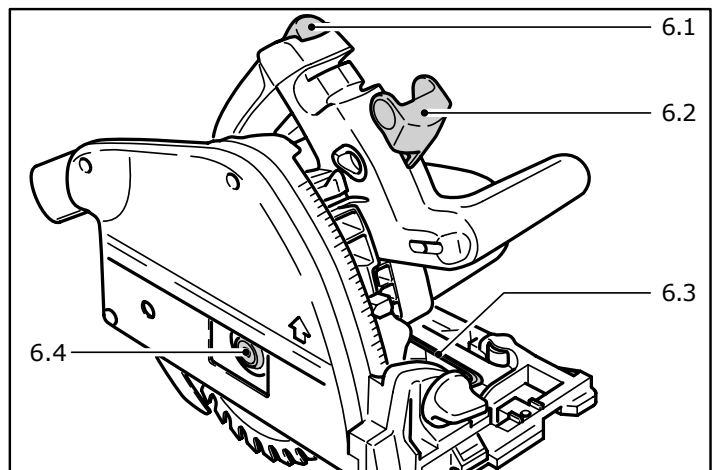
- N'utilisez pas de lames de scie en acier rapide fortement allié (lames de scie en HSS), car elles présentent un risque recul.
- Utilisez exclusivement des lames de scie de diamètre extérieur de 210 mm.
- Le diamètre d'alésage du support de lame doit mesurer 30 mm.
- Utilisez uniquement des lames de scie dont l'épaisseur du corps de base ne dépasse pas 1.8 mm et dont la largeur de coupe est comprise entre 2.4 et 2.6 mm.

La scie TS 75 EQ a été testée avec les lames de scie présentées dans le catalogue Festool. Pour votre propre sécurité, nous vous recommandons d'utiliser exclusivement ces lames.

Pour changer la lame de scie, posez la scie circulaire sur une table de telle manière que la lame de scie soit disposée à quelques millimètres seulement du bord de la table.

Songez que les lames de scie sont destinées au sciage et que les arêtes de coupe sont acérées. Manipulez donc la lame avec précaution.

### Changement des lames de scie

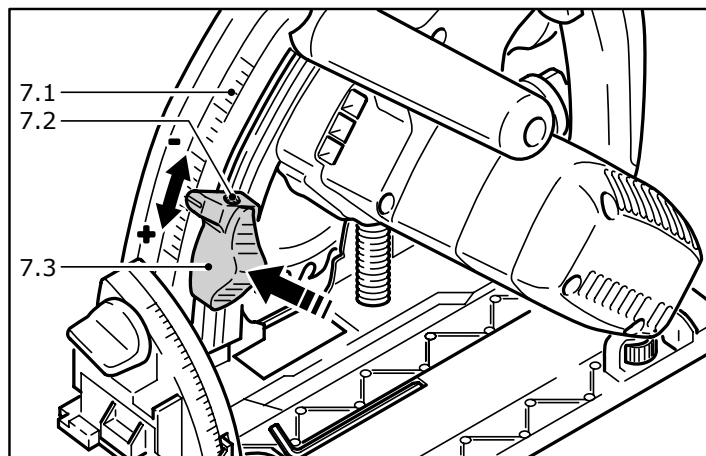


- Rabattre le levier (6.2) jusqu'à la butée,

- pousser le blocage de démarrage (6.1) vers le haut et appuyer le groupe de sciage vers le bas jusqu'à l'enclenchement,
  - ouvrir la vis (6.4) avec la clé allen (6.3),
  - retirer la lame de scie,
  - nettoyer les brides (6.6, 6.8),
  - insérer une nouvelle lame de scie.
- ⚠ AVERTISSEMENT** Le sens de rotation de la lame de scie (6.7) et de l'outil (6.5) doivent correspondre !
- Insérer la bride extérieure (6.8) de telle sorte que les broches d'entraînement s'accrochent dans les évidements de la bride intérieure (6.6),
  - Serrer la vis (6.4),
  - rabattre le levier (6.2).

## Profondeur de coupe

La profondeur de coupe se règle de 0 à 75 mm :



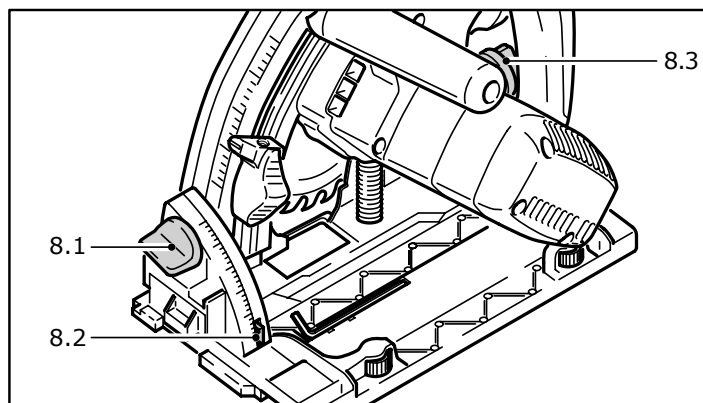
- Appuyer sur la butée de profondeur de coupe (7.3) et la déplacer jusqu'à la profondeur de coupe souhaitée (les valeurs indiquées sur l'échelle (7.1) sont valables pour les coupes à 0° sans rail de guidage),
- relâcher la butée de profondeur de coupe (la butée de profondeur de coupe s'enclenche dans des pas de 1 mm).

Le groupe de sciage ne peut être enfoncé vers le bas que jusqu'à la profondeur de sciage réglée.

Il est possible de visser une vis sans tête (M 4 x 8 à M 4 x 12) dans le forage (7.2) de la butée de profondeur de coupe. La profondeur de coupe peut être réglée de manière encore plus exacte ( $\pm 0.1$  mm) en tournant la vis sans tête.

## Angle de coupe

Le groupe de sciage peut être basculé entre 0° et 45° :

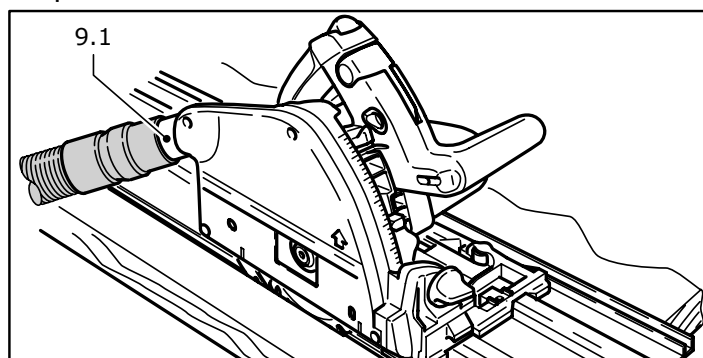


- Ouvrir les sélecteurs de fonction (8.1, 8.3),
- basculer le groupe de sciage jusqu'à l'angle de coupe souhaité (8.2),
- serrer à nouveau les sélecteurs de fonction.

**Remarque :** les deux positions finales (0° et 45°) sont réglées en usine et peuvent être ajustées à nouveau par le Service Après-vente.

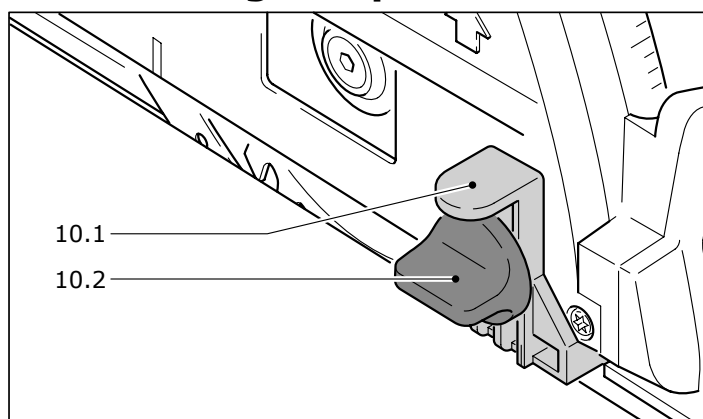
## Aspiration

Nous vous recommandons, notamment pour les travaux dans des locaux fermés, de raccorder votre scie circulaire à une aspiration de copeaux. Vous pourrez ainsi réduire la pollution de l'air, assurer la propreté de votre poste de travail et améliorer la qualité de votre travail.



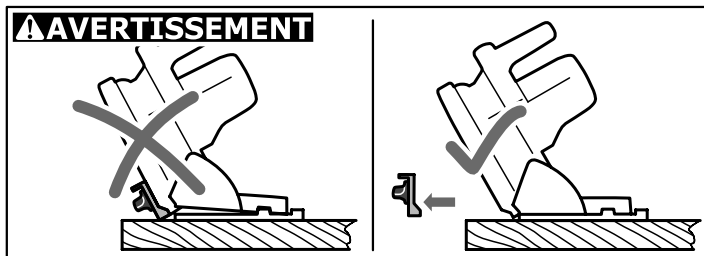
Il est possible de raccorder un aspirateur Festool d'un diamètre de tuyau d'aspiration de 36 mm ou 27 mm (recommandation: 36 mm à cause du risque de bouchage moins élevé) aux raccords d'aspiration rotatifs (9.1).

## Montage du pare-éclats



Le pare-éclats (accessoires) améliore nettement la qualité de l'arête de coupe de la pièce à travailler sur la partie supérieure pour les coupes à 0°.

- Emboîter le pare-éclats (10.1) sur le capot de protection,
- placer l'outil sur la pièce à travailler ou le rail de guidage,
- enfoncer le pare-éclats vers le bas jusqu'à ce qu'il touche la pièce à travailler et le visser avec le sélecteur de fonction (10.2).
- Effectuer une rainure dans le pare-éclats (outil sur la profondeur maximale de coupe et niveau de régime 1).

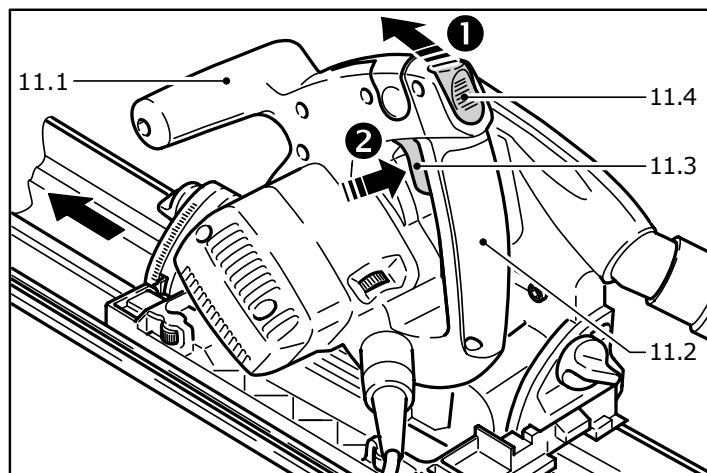


**N'utilisez le pare-éclats que pour les coupes à 0°. Pour les coupes en biais, enlevez toujours le pare-éclats.** Ce dernier risque de soulever la scie circulaire de la pièce et de provoquer des blessures graves.

## Utilisation

**⚠ AVERTISSEMENT** Lisez et comprenez les consignes de sécurité avant le début du travail !

### Mise en marche et arrêt de la machine



**⚠ AVERTISSEMENT** Lors de la mise en marche et en cours d'utilisation, tenez toujours la scie à deux mains à la poignée (11.2) et à la poignée supplémentaire (11.1).

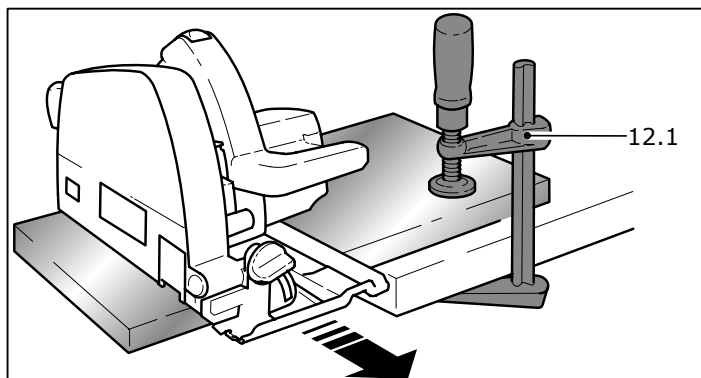
Pour mettre la scie en marche, poussez d'abord le bouton de mise en marche et de déverrouillage (11.4) vers l'avant et appuyez ensuite sur l'interrupteur "Marche" / "Arrêt" (11.3). Vous pouvez ensuite pousser la machine vers le bas pour scier et relâcher le bouton de mise en marche et de déverrouillage.

Pour arrêter la scie, relâchez l'interrupteur "Marche" / "Arrêt".

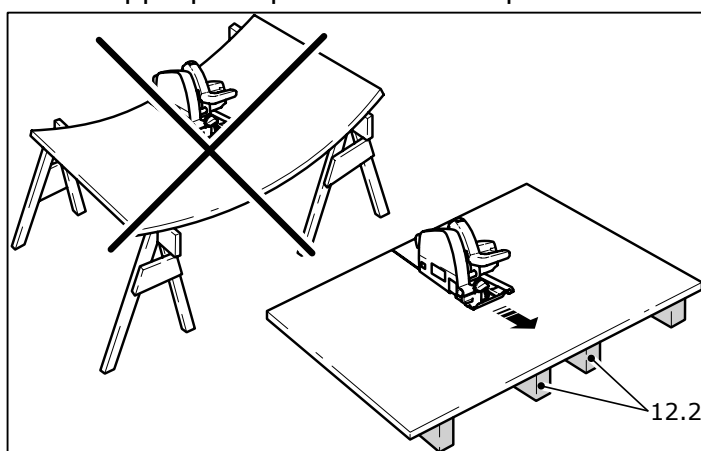
**⚠ AVERTISSEMENT** Après l'arrêt de la machine, la lame de scie tourne encore quelque temps. Attention de ne pas toucher la lame de scie avec une partie du corps pendant qu'elle décélère!

Dès que vous retirez la machine de la pièce à la fin de la coupe, elle revient brusquement dans sa position initiale et la lame de scie rentre entièrement dans le capot de protection.

## Appui des pièces



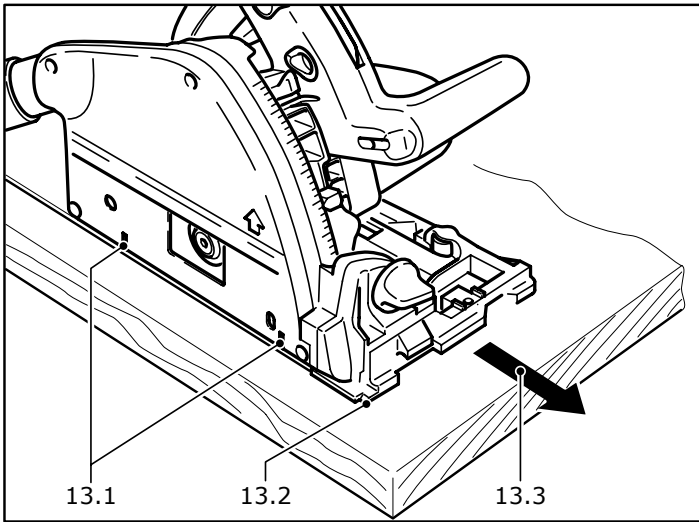
Veillez à ce que vos pièces reposent en toute sécurité et qu'elles ne puissent pas bouger pendant le sciage. Vous vous exposez sinon à de graves risques d'accident. Ne tenez jamais la pièce à scier dans les mains ou sur vos jambes. Utilisez bien plutôt des serre-joints (12.1) ou d'autres équipements appropriés pour fixer votre pièce.



Ne posez jamais de grandes et longues pièces de telle manière qu'elles fléchissent au milieu ou à l'emplacement de la coupe. Vous risquez sinon de coincer la lame de scie et de provoquer un contrecoup. Calez plutôt la pièce avec plusieurs baguettes de bois (12.2), notamment à proximité de l'emplacement de la coupe.

## Travaux de sciage

**⚠ AVERTISSEMENT** Avant de commencer la coupe, la machine doit avoir atteint sa pleine vitesse et doit seulement être coupée après la fin de la coupe.



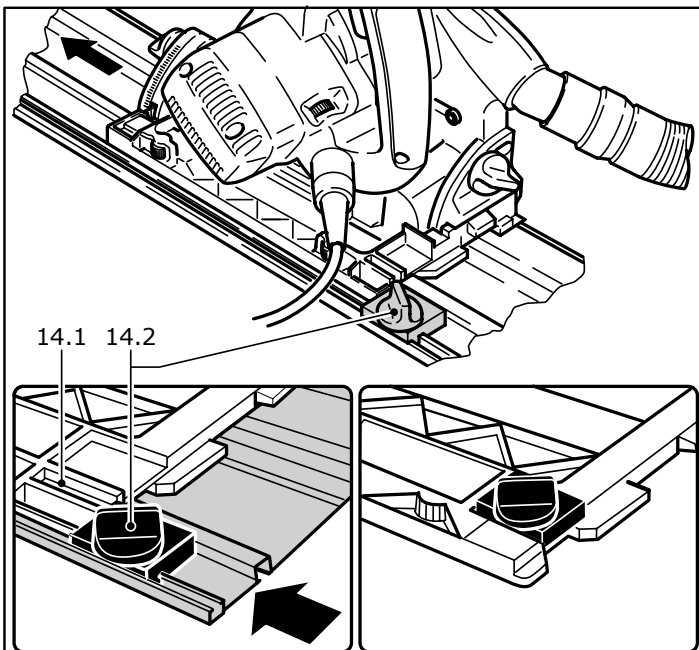
**⚠ AVERTISSEMENT** Sciez uniquement en sens opposé (poussez la scie circulaire vers l'avant, 13.3), jamais dans le même sens (en tirant la scie en arrière). Le sciage dans le même sens risque de faire sortir la scie de la fente de coupe (contre-coup) et peut provoquer de graves blessures.

### A) Sciage de coupes :

- Placez la partie avant de la table de scie sur la pièce. L'affichage de coupe (13.2) indique le déroulement de coupe en pas de 0° et 45° (sans rail de guidage).
- Mettez la machine en marche et enfoncez la scie à la profondeur de coupe réglée.
- Poussez la machine vers l'avant dans le sens de la coupe. Veillez à ce que la table de scie repose toujours fortement sur la pièce.
- Arrêtez la machine à la fin de la coupe.

### B) Coupes en plongée :

**⚠ AVERTISSEMENT** Pour éviter des chocs en arrière, veuillez suivre absolument les remarques suivantes pour les coupes plongeantes :



- Placer toujours l'outil avec l'arête arrière de la table de sciage contre une butée fixe. Pour travailler avec le rail de guidage, maintenir l'outil

contre la butée (14.2) collée au rail de guidage. En cas de non utilisation garder la butée contre la plaque de guidage (14.1) de l'outil.

- Tenir la machine en toute sécurité avec les deux mains et la faire plonger seulement lentement.

**Marche à suivre :** poser l'outil sur la pièce à travailler et placer une butée (blocage de chocs en arrière), brancher l'outil, enfoncer lentement sur la profondeur de coupe réglée et avancer en direction de la coupe.

Les marquages (13.1) indiquent le point de coupe le plus en avant et le plus en arrière de la lame de scie (Ø 160 mm) pour une profondeur de coupe maximale et en utilisant le rail de guidage.

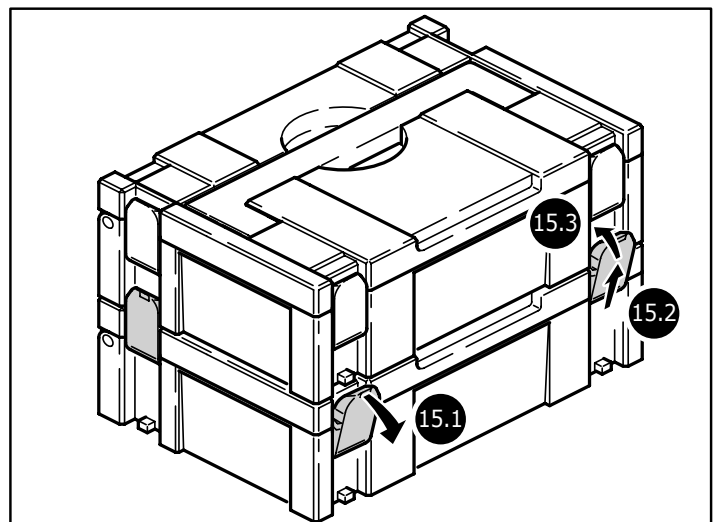
### C) Sciage de l'aluminium

**⚠ AVERTISSEMENT** Pour des raisons de sécurité, respecter les mesures suivantes dans le cas du traitement de l'aluminium :

- Installer un commutateur de sécurité à courant de défaut (FI).
- Raccorder l'outil à un aspirateur approprié.
- Nettoyer régulièrement l'outil et enlever les dépôts de poussière dans le carter du moteur et le capot de protection.
- Porter des lunettes de protection.
- L'aluminium doit uniquement être scié avec les lames de scie spéciales prévues par Festool.
- Pour scier des panneaux, la lame doit être graissée avec de la graisse de pétrole, des profilés aux parois minces (3 mm maxi.) peuvent être traités sans graissage.

## Systainer

De nombreux produits Festool sont fournis dans une caisse exclusive, appelée "Systainer". Celle-ci permet de protéger et de ranger des outils et des appareils complémentaires. Les Systainer sont empilables et peuvent être solidarisés. En outre, il se fixent sur les aspirateurs CT Festool.



- Poser deux Systainer l'un sur l'autre,

- défaire les quatre éléments de verrouillage du Systainer inférieur en les tirant en arrière par leur bord supérieur (15.1).
- pousser les quatre éléments de verrouillage vers le haut (15.2)
- manoeuvrer les quatre éléments de verrouillage (15.3) de sorte qu'ils s'enclenchent au niveau des éléments récepteurs du Systainer supérieur.

## Maintenance et entretien

**⚠ AVERTISSEMENT** Toutes les interventions de maintenance et de réparation qui exigent l'ouverture du carter du moteur ou de l'engrenage doivent uniquement être réalisées par un atelier de service après-vente agréé (demandez ses coordonnées à votre revendeur) ! La maintenance ou la réparation de la machine par des personnes non autorisées peut entraîner un branchement incorrect de câbles électriques ou d'autres composants, ce qui peut provoquer des accidents avec de graves blessures.

**⚠ AVERTISSEMENT** Afin d'empêcher les accidents, il faut toujours débrancher la fiche de la source de courant avant toute intervention de maintenance ou de réparation ! N'utilisez pas d'air comprimé pour nettoyer l'outil électrique ! N'essayez pas de nettoyer des pièces à l'intérieur de la machine en introduisant des objets par les ouvertures de l'appareil.

**⚠ MISE EN GARDE** Certains détergents et solvants détériorent les pièces en matière plastique. Citons notamment l'essence, le chlorure de carbonyle, les solutions de détergents contenant du chlore, l'ammoniac et les détergents ménagers contenant de l'ammoniac.

- Les ouvertures d'air de refroidissement du carter du moteur doivent être toujours maintenues dégagées et propres pour assurer la circulation de l'air.
- La machine est équipée de charbons spéciaux à coupure automatique. Lorsqu'ils sont usés, le courant est automatiquement interrompu et la machine s'arrête. Apportez dans ce cas votre scie dans un atelier de service après-vente agréé qui se chargera de remplacer les charbons.
- Lorsque vous soulevez la machine de la pièce, elle revient automatiquement par ressort dans sa position initiale, la lame de scie retourne dans le capot de protection, le bouton de mise en marche et de déverrouillage encliquette à nouveau. Si ce dispositif ne fonctionne plus, vous ne devez plus utiliser la scie circulaire, mais vous devez la faire réparer immédiatement par un atelier de service après-vente agréé.
- L'écarteur doit être aligné avec la lame de scie et ne doit pas être voilé. Un écarteur défectueux doit être immédiatement remplacé. Ne travaillez

en aucun cas sans écarteur à cause des graves risques de contrecoups.

- Même si vous utilisez correctement la scie, les arêtes de coupe de la lame de scie s'émoussent à la longue. Remplacez la lame de scie dès que vous constatez que vous devez appliquer une force plus grande pour le sciage ou que la qualité de coupe se dégrade. Faites affûter les lames de scie émoussées dans un atelier de service après-vente agréé. Démontez vos lames de scie si vous voulez en éliminer la résine et le bois. Utilisez du kérosène pour nettoyer les lames de scie.

## Accessoires

Vous trouverez les références ainsi que d'autres accessoires, qui vous permettront d'utiliser votre scie circulaire à main de manière variée et effective, dans le catalogue Festool ou sur Internet sous [www.festool-usa.com](http://www.festool-usa.com).

### Guide parallèle, élargisseur de table

Il est possible d'utiliser un guide parallèle pour des largeurs de coupes de 180 mm maxi.

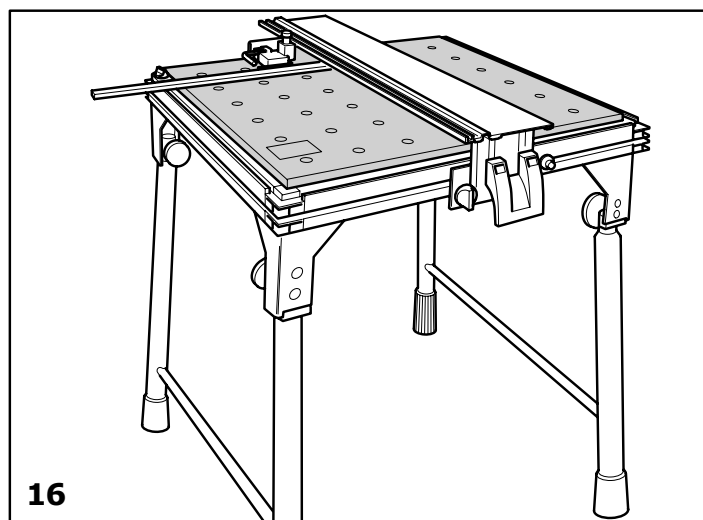
Le guide parallèle peut être également utilisé comme élargisseur de table.

### Revêtement latéral, ajourage

Le recouvrement monté latéralement sur le capot de protection améliore l'efficacité de l'aspiration pour des coupes 0°.

Le recouvrement peut être utilisé parallèlement comme guide d'ajourage pour des largeurs d'ajourage à partir de 18 mm.

### Table multifonctions

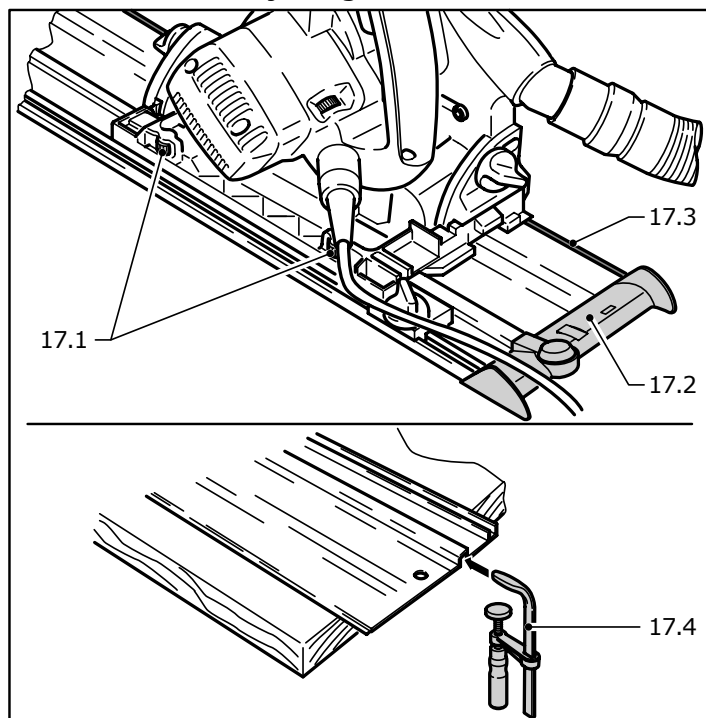


La table multifonctions disponible dans deux tailles (MFT 800, MFT 1080) permet de serrer facilement les pièces à travailler et de traiter des pièces de petite et grande taille de manière sûre et précise. Les possibilités variées d'utilisation ren-

dent le travail économique et facile du point de vue ergonomique.

## Système de guidage

Les rails de guidage disponibles dans différentes longueurs permettent des coupes précises et nettes et protègent parallèlement la surface de la pièce de dommages. Les nombreux accessoires ajoutés au système de guidage permettent d'effectuer des coupes en biais, des coupes d'onglet et des travaux d'ajustage exacts.

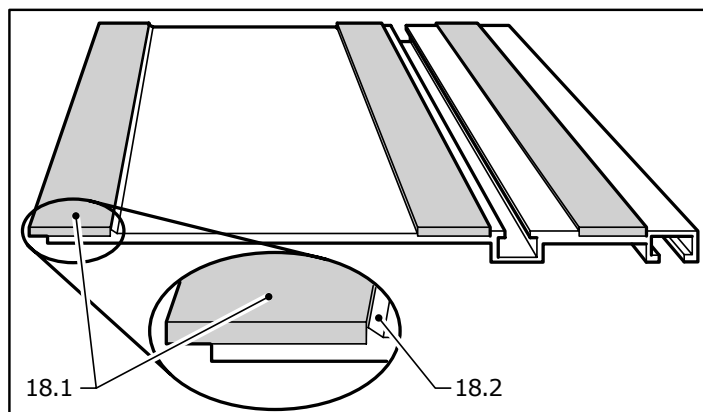


La possibilité de fixation au moyen de serre-joints (17.4) garantit un maintien fixe et un travail en toute sécurité. Le déflecteur (optionnel) (17.2) empêche tout coincement du fil ou du tuyau en bout de rail de guidage.

Le jeu de guidage de la table de sciage sur les rails de guidage peut être réglé avec les deux touches de réglage (17.1).

Les rails de guidage sont dotés d'un pare-éclats (17.3, 18.1) qui empêche la détérioration des bords en appuyant vers le bas contre la surface de la pièce pour compenser le mouvement vers le haut des dents de la lame. Avant la première utilisation, le pare-éclats doit être coupé à la bonne longueur :

- Régler la vitesse de l'outil sur le niveau 6,
- placer l'outil à l'extrémité arrière du rail de guidage,
- brancher l'outil, l'enfoncer vers le bas jusqu'à la profondeur de coupe réglée et scier le pare-éclats sur toute la longueur sans arrêter. L'arête du pare-éclats correspond exactement à l'arête de coupe.



Tout pare-éclats endommagé ou usagé doit être remplacé :

- Retirer le pare-éclats d'origine (18.1) de la glissière de guidage.
- Si nécessaire, éliminer du rail de guidage les restes de colle et les restes de pare-éclats.
- Retirer la protection plastique de la bande de colle du nouveau pare-éclats.
- Positionner le nouveau pare-éclats avec précaution le long du bossage (18.2) du dessous de la glissière de guidage sans étirer le caoutchouc.
- Pressez le pare-éclats fermement contre la glissière de guidage.
- Coupez le pare-éclats à la bonne longueur, comme indiqué précédemment.

## Lames de scie, autres accessoires

Festool propose des lames de scie spécialement adaptées à votre outil pour pouvoir traiter des matériaux différents de manière nette et rapide.

Les références des lames de scie et accessoires figurent dans le catalogue Festool ou sur Internet sous **www.festool.com**.

## Garantie

### Conditions de la garantie (1+2 ans)

Vous avez droit à une prolongation de garantie gratuite (1 an + 2 ans = 3 ans) sur votre outil électrique Festool. Festool assumera tous les coûts d'expédition pendant la première année de la garantie alors que les deuxième et troisième années, les coûts devront être assumés par le client. Festool paiera les frais de retour de l'outil au client par service de livraison terrestre UPS. La garantie est valable pour une période de 3 ans à compter de la date d'achat indiquée sur votre reçu ou votre facture.

### Garantie limitée de Festool

Cette garantie est valable à condition que l'outil soit utilisé conformément aux instructions de Festool. Festool garantit, à l'acheteur initial seulement, que l'outil indiqué sera exempt de tout défaut de matériau et de fabrication pendant

un an à compter de la date d'achat. Festool ne donne aucune garantie supplémentaire, implicite ou explicite, sur les instruments portables électriques Festool. Aucun agent, représentant commercial, distributeur, vendeur ou employé de Festool n'est autorisé à prolonger ou à modifier les obligations ou restrictions de la présente garantie. Les obligations de Festool sont, à son entière discrétion, limitées à la réparation ou à l'échange des outils portables électriques Festool trouvés défectueux dans le présent emballage, tels que fournis avec le présent Guide d'utilisation.

Cette garantie exclut l'usure normale, les dommages causés par un usage impropre, les abus ou la négligence, ou tout dommage autre que ceux attribuables à des défauts de matériau et de fabrication. Cette garantie ne s'applique pas aux accessoires tels que lames de scie circulaire, mèches de perceuse et vilebrequin, lames de scie sauteuse, bandes abrasives et meules. Sont également exclues les pièces d'usure, telles que balais de charbon, lamelles pour outils à air comprimé, joints et manchons de caoutchouc, disques et patins ponceurs, ainsi que les piles.

Les outils électriques portables Festool à remplacer ou à réparer doivent être retournés avec le reçu

d'achat à Festool (appelez au 800-554-8741 pour connaître l'adresse d'expédition).

**FESTOOL N'EST EN AUCUN CAS RESPONSABLE DES DOMMAGES DIRECTS OU INDIRECTS, IMPLICITES OU EXPLICITES, DÉCOULANT DE LA RUPTURE DE CETTE GARANTIE OU DE TOUTE AUTRE GARANTIE. TOUTES LES GARANTIES IMPLICITES, Y COMPRIS LES GARANTIES IMPLICITES DE QUALITÉ MARCHANDE ET D'ADÉQUATION À UN USAGE PARTICULIER, SONT LIMITÉES À UNE PÉRIODE DE TROIS ANS.**

Certains états américains et certaines provinces canadiennes ne permettent pas la limitation des garanties implicites; il se pourrait donc que les limites indiquées ci-dessus ne s'appliquent pas dans votre cas. À l'exception de certaines garanties implicites des provinces ou des états indiquées ici, la présente garantie est exclusive et remplace toute autre garantie, convention et obligation similaire de Festool.

Cette garantie vous confère des droits légaux spécifiques, et vous pouvez aussi avoir d'autres droits pouvant varier d'un état à l'autre, ou d'une province à l'autre au Canada.



## Contenido

Normas generales de seguridad .....	25
Normas de seguridad específicas para sierras circulares .....	26
Datos técnicos .....	28
Símbolos .....	28
Descripción del funcionamiento .....	28
Use para los propósitos intencionados .	29
Conexión eléctrica .....	29
Ajustes en la máquina .....	29
Regulación electrónica .....	29
Cuña de incisión .....	30
Hoja de sierra .....	30
Profundidad de corte .....	31
Ángulo de corte .....	31
Aspiración .....	31
Montaje de la protección contra astillas.....	31
Funcionamiento .....	32
Conexión y desconexión de la máquina ....	32
Apoyo de las piezas .....	32
Trabajos de aserrado .....	33
Systainer .....	34
Mantenimiento y limpieza .....	34
Accesorios .....	34
Mesa multifuncional .....	35
Garantía .....	36

## Normas generales de seguridad

**⚠️ ADVERTENCIA** Lea y entienda todas las instrucciones. El incumplimiento con las instrucciones aquí referidas puede resultar en una descarga eléctrica, fuego y/o lesiones personales serias.

### CONSERVE ESTAS INSTRUCCIONES

#### 1) Seguridad del espacio de trabajo

**a) Mantenga limpio y bien iluminado su puesto de trabajo.** El desorden y una iluminación deficiente en las áreas de trabajo pueden provocar accidentes.

**b) No utilice la herramienta eléctrica en un entorno con peligro de explosión, en el que se encuentren combustibles líquidos, gases o material en polvo.** Las herramientas eléctricas producen chispas que pueden llegar a inflamar los materiales en polvo o vapores.

**c) Mantenga alejados a los niños y otras personas de su puesto de trabajo al emplear la herramienta eléctrica.** Una distracción le puede hacer perder el control sobre el aparato.

#### 2) Seguridad eléctrica

**a) El enchufe del aparato debe corresponder a la toma de corriente utilizada. No es admisible modificar el enchufe en forma alguna. No emplear adaptadores en aparatos dotados con una toma de tierra.** Los enchufes sin modificar adecuados a las respectivas tomas de corriente reducen el riesgo de una descarga eléctrica.

**b) Evite que su cuerpo toque partes conectadas a tierra como tuberías, radiadores, cocinas y refrigeradores.** El riesgo a quedar expuesto a una sacudida eléctrica es mayor si su cuerpo tiene contacto con tierra.

**c) No exponga las herramientas eléctricas a la lluvia y evite que penetren líquidos en su interior.** Existe el peligro de recibir una descarga eléctrica si penetran ciertos líquidos en la herramienta eléctrica.

**d) No utilice el cable de red para transportar o colgar el aparato, ni tire de él para sacar el enchufe de la toma de corriente. Mantenga el cable de red alejado del calor, aceite, esquinas cortantes o piezas móviles.** Los cables de red dañados o enredados pueden provocar una descarga eléctrica.

**e) Al trabajar con la herramienta eléctrica en la intemperie utilice solamente cables de prolongación homologados para su uso en exteriores.** La utilización de un cable de prolongación adecuado para su uso en exteriores reduce el riesgo de una descarga eléctrica.

**f) Sujete la máquina únicamente por las empuñaduras aisladas si durante los trabajos las herramientas para separar pueden entrar en contacto con conducciones eléctricas ocultas o incluso con el cable de la corriente.** Cuando las herramientas para separar entran en contacto con conducciones eléctricas bajo tensión, las partes metálicas de la máquina pueden adquirir esta tensión y transmitir, de ese modo, una descarga eléctrica al usuario.

#### 3) Seguridad personal

**a) Esté atento a lo que hace y emplee la herramienta eléctrica con prudencia. No utilice la herramienta eléctrica si estuviese cansado, ni tampoco después de haber consumido alcohol, drogas o medicamentos.** El no estar atento durante el uso de una herramienta eléctrica puede provocarle serias lesiones.

**b) Utilice un equipo de protección y en todo caso unas gafas de protección.** El riesgo a lesionarse se reduce considerablemente si, dependiendo del tipo y la aplicación de la herramienta eléctrica empleada, se utiliza un equipo de protección adecuado como una mascarilla antipolvo,

zapatos de seguridad con suela antideslizante, casco, o protectores auditivos.

**c) Evite una puesta en marcha fortuita del aparato. Cerciorarse de que el aparato esté desconectado antes conectarlo a la toma de corriente.** Si transporta el aparato sujetándolo por el interruptor de conexión/desconexión, o si introduce el enchufe en la toma de corriente con el aparato conectado, ello puede dar lugar a un accidente.

**d) Retire las herramientas de ajuste o llaves fijas antes de conectar la herramienta eléctrica.** Una herramienta o llave colocada en una pieza rotante puede producir lesiones al ponerse a funcionar.

**e) Sea precavido. Trabaje sobre una base firme y mantenga el equilibrio en todo momento.** Ello le permitirá controlar mejor la herramienta eléctrica en caso de presentarse una situación inesperada.

**f) Lleve puesta una vestimenta de trabajo adecuada. No utilice vestimenta amplia ni joyas. Mantenga su pelo, vestimenta y guantes alejados de las piezas móviles.** La vestimenta suelta, las joyas y el pelo largo se pueden enganchar con las piezas en movimiento.

**g) Siempre que sea posible utilizar unos equipos de aspiración o captación de polvo, asegúrese que éstos estén montados y que sean utilizados correctamente.** El empleo de estos equipos reduce los riesgos derivados del polvo.

#### 4) Uso y cuidado de la herramienta

**a) No sobrecargue el aparato. Use la herramienta prevista para el trabajo a realizar.** Con la herramienta adecuada podrá trabajar mejor y más seguro dentro del margen de potencia indicado.

**b) No utilice herramientas con un interruptor defectuoso.** Las herramientas que no se puedan conectar o desconectar son peligrosas y deben hacerse reparar.

**c) Saque el enchufe de la red antes de realizar un ajuste en el aparato, cambiar de accesorio o al guardar el aparato.** Esta medida preventiva reduce el riesgo a conectar accidentalmente el aparato.

**d) Guarde las herramientas fuera del alcance de los niños y de las personas que no estén familiarizadas con su uso.** Las herramientas utilizadas por personas inexpertas son peligrosas.

**e) Cuide sus aparatos con esmero. Controle si funcionan correctamente, sin atascarse, las partes móviles del aparato, y si existen partes rotas o deterioradas que pudieran**

**afectar al funcionamiento de la herramienta. Si la herramienta eléctrica estuviese defectuosa haga repararla antes de volver a utilizarla.** Muchos de los accidentes se deben a aparatos con un mantenimiento deficiente.

**f) Mantenga los útiles limpios y afilados.** Los útiles mantenidos correctamente se dejan guiar y controlar mejor.

**g) Utilice herramientas eléctricas, accesorios, útiles, etc. de acuerdo a estas instrucciones y en la manera indicada específicamente para este aparato. Considere en ello las condiciones de trabajo y la tarea a realizar.** El uso de herramientas eléctricas para trabajos diferentes de aquellos para los que han sido concebidas puede resultar peligroso.

#### 5) Mantenimiento

**a) Únicamente haga reparar su herramienta eléctrica por un profesional, empleando exclusivamente piezas de repuesto originales.** Solamente así se mantiene la seguridad de la herramienta eléctrica.

#### Normas de seguridad específicas para sierras circulares

**a) ¡PELIGRO! Mantenga las manos fuera del área de corte y de la hoja. Mantenga su segunda mano en la palanca auxiliar o la caja del motor.** Si ambas manos sujetan la sierra no pueden ser cortadas por la hoja.

**b) No coja la pieza de trabajo por debajo.** El resguardo no puede protegerle de la hoja de la sierra por debajo de la pieza de trabajo.

**c) Adapte la profundidad de corte al grosor de la pieza de trabajo.** Por debajo de la pieza de trabajo sólo debería ser visible menos de una altura completa de diente.

**d) NUNCA sujete la pieza mientras está cortando con la mano o sobre su pierna. Fije la pieza de trabajo en un lugar de apoyo estable.** Es importante sujetar la pieza de trabajo correctamente para minimizar la exposición del cuerpo, el trabamamiento de la hoja, o la pérdida de control.

**e) Sujete la herramienta por la superficie de agarre aislada cuando realice una operación donde la herramienta de corte pueda contactar alambres ocultos o su propio cable.** El contacto con un alambre con corriente hará traspasar la corriente a las partes de metal de la herramienta resultando en una descarga eléctrica al usuario.

**f) Cuando esté serrando al hilo use siempre una superficie de tope o una guía de filo recto.** Esto mejora la exactitud del corte y reduce la posibilidad de trabada de la hoja.

**g) Utilice siempre hojas del tamaño y dimensiones correctas (agujero diamante o redondo).** Hojas que no encajen en el soporte de la sierra girarán excentricamente, causando la pérdida del control.

**h) Nunca use cerrojos o arandelas de la hoja dañadas o incorrectas.** Los cerrojos y las arandelas de la hoja fueron especialmente diseñadas para su sierra, para un funcionamiento óptimo y seguro.

**i) Compruebe antes de cada uso si la caperuza de protección cierra perfectamente. No utilice la sierra si la caperuza de protección no ofrece movilidad y no se cierra de inmediato. No bloquee nunca ni sujete la caperuza de protección cuando esté en posición abierta.** Si la sierra cae al suelo por accidente, la caperuza de protección puede deformarse. Asegúrese de que la caperuza se mueve sin dificultad y que no entra en contacto con la hoja de serrar ni con otras piezas en todos los ángulos y profundidades de corte.

**j) Compruebe el estado y el funcionamiento del resorte de la caperuza de protección. No utilice el aparato si la caperuza de protección y el resorte no funcionan correctamente.** Las piezas dañadas, los residuos pegajosos o la acumulación de virutas hacen que la caperuza de protección funcione de forma retardada.

**k) Asegure el panel de base para que no se desplace en los "cortes de inmersión" que no se efectúan de forma perpendicular (escuadra de inglete no a 90°).** Un desplazamiento lateral podría bloquear la hoja de serrar, lo que causaría un contragolpe.

**l) No coloque la sierra en el banco de trabajo o en el suelo sin haber comprobado que la caperuza de protección cubre la hoja de serrar.** Una hoja de serrar sin protección que marcha por inercia mueve la hoja de serrar en sentido contrario al corte y sierra todo lo que está en su camino. Tenga en cuenta el tiempo de marcha por inercia de la sierra.

### **Causas y prevención del operador de reculada**

- La reculada es una reacción espontánea de una hoja de sierra pellizcante, trabada o alineada malamente, causando el levantamiento incontrolado de la sierra fuera de la pieza de trabajo hacia el operador.

- Si la hoja está pellizcante o trabada al bajar la sierra, la hoja se estanca y la reacción del motor lleva la unidad rápidamente hacia atrás, hacia el operador.

- Si la hoja se dobla o pierde la alineación durante el corte, los dientes en el extremo posterior de

la hoja pueden incarse en la superficie de la madera provocando el afloje de la hoja del soporte, saltando hacia el operador.

La reculada es el resultado del uso inapropiado o procedimiento o condiciones incorrectas del uso y se pueden evitar tomando las medidas justas indicadas a continuación:

**a) Sujete la sierra con ambas manos y coloque los brazos de tal modo que le permita hacer frente a la fuerza de un contragolpe. Colóquese siempre en un lateral de la hoja de serrar, no la sitúe en ningún caso en línea con su cuerpo.** En caso de contragolpe la sierra circular puede saltar hacia atrás, sin embargo, la fuerza del contragolpe puede ser controlada por el operario aplicando unas medidas adecuadas.

**b) Cuando la hoja se traba, o cuando se interrumpe el corte por cualquier motivo, suelte el pulsador y sujete la sierra sin moverla en el material hasta que la hoja se haya parado por completo. Nunca intente sacar la sierra de la pieza de trabajo o tirar hacia atrás mientras la hoja esté girando, en caso contrario puede ocurrir la reculada.** Investigue y tome las medidas correctas para eliminar las causas de trabada de la hoja

**c) Cuando vuelva a encender la sierra en una pieza de trabajo, centre la hoja de la sierra en la ranura y compruebe que los dientes de la hoja no estén clavados en el material.** Si la hoja de la sierra está trabada, puede saltar hacia arriba o recular de la pieza de trabajo al volver a encender la sierra.

**d) Apoye paneles grandes para minimizar el riesgo de pellizcos de la hoja y reculada.** Paneles grandes tienden a hundirse bajo su propio peso. Los apoyos se deberán colocar bajo el panel a ambos lados, cerca de la línea de corte y cerca del borde del panel.

**e) No utilice hojas dañadas o sin filo.** Hojas sin filo o malamente colocadas producen pequeñas ranuras causando fricción excesiva, trabadura de la hoja y reculada.

**f) Las palancas de ajuste del nivel y la profundidad de la hoja deben estar asegurados antes de iniciar el corte.** Si el ajuste de la hoja salta durante el corte, puede causar trabadura y reculada.

**g) Ponga especial atención cuando realice un «corte de bolsillo» en paredes existentes u otras áreas.** La hoja saliente puede cortar objetos que pueden causar reculada.

### **Cuña de partir**

**a) Utilice una cuña de partir que se ajuste a la hoja de serrar utilizada.** La cuña de partir debe ser más gruesa que el grosor del disco

de soporte, pero más delgada que la anchura de corte de la hoja de serrar.

**b) Ajuste la cuña de partir tal y como se describe en el manual de instrucciones.** Una cuña de partir con un grosor, posición y alineación incorrectos pueden ser la causa de que ésta no pueda evitar de forma efectiva un posible contragolpe.

**c) Utilice siempre la cuña de partir también al realizar "cortes de inmersión".** La cuña de partir presiona hacia arriba al llevar a cabo incisiones y, una vez finalizadas, se introduce con un movimiento de resorte automático en la ranura de serrado al avanzar la sierra circular.

**d) La cuña de partir sólo es efectiva si se encuentra en la ranura de serrado.** En los cortes cortos la cuña de partir es ineficaz a la hora de evitar un contragolpe.

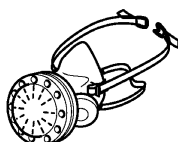
**e) No ponga la sierra en funcionamiento con la cuña de partir cubierta.** Una avería sin importancia podría ralentizar el cierre de la caperuza de protección.

**ADVERTENCIA PARA REDUCIR EL RIESGO DE LESIÓN, EL USUARIO DEBE LEER Y ENTENDER EL MANUAL DE INSTRUCCIÓN.**

**ADVERTENCIA** Algunos polvos creados por lijadoras motorizadas, aserraderos, trituradores, perforadoras y otras actividades de construcción contienen sustancias químicas que se sabe (en el Estado de California) causan cáncer, defectos de nacimiento u otros daños al sistema reproductivo. Algunos ejemplos de estas sustancias químicas son:

- Plomo de las pinturas con base de plomo
- Sílice cristalino de los ladrillos y cemento y otros productos de mampostería, y
- Arsénico y cromo de madera tratada con sustancias químicas

El riesgo de exposición a estas sustancias varía, dependiendo de cuantas veces se hace este tipo de trabajo.



Para reducir el contacto con estas sustancias químicas: trabaje en un área con buena ventilación y trabaje con equipo de seguridad aprobado, como mascarillas para el polvo diseñadas específicamente para filtrar partículas microscópicas.

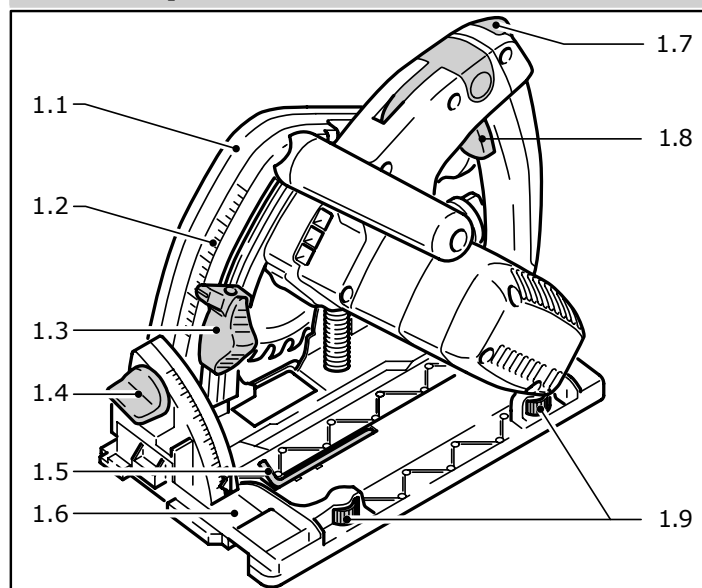
**Datos técnicos**

Potencia	1 600 W
Velocidad sin carga	1350 - 3550 rpm
Angulo de corte	0° - 45°
Profundidad de corte a 90°	75 mm (3.0")
45°	56 mm (2.2")
Diametro disco sierra	210 mm (8.27")
Diametro de agujero	30 mm (1.18")
Peso	6.1 kg (13.4 lbs)
Seguridad	☐ según UL 745, CSA C22.2 No. 745

**Símbolos**

V	voltios
A	amperios
Hz	hertzios
W	vatios
~	rensión alterna
n <sub>0</sub>	revoluciones por minuto en vacío
☐	Clase II Construcción
rpm	revoluciones por minuto

**Descripción del funcionamiento**



- 1.1 Caperuza protectora
- 1.2 Escala de profundidades de corte
- 1.3 Tope de profundidad de corte
- 1.4 Tornillo de sujeción para regulación del ángulo de inclinación
- 1.5 Llave macho hexagonal
- 1.6 Mesa de aserrado
- 1.7 Bloqueo de conexión y de desenclavamiento
- 1.8 Interruptor de conexión/desconexión
- 1.9 Mordazas de guía

## Use para los propósitos intencionados

La sierra circular de mano TS 75 EQ ha sido concebida exclusivamente para el aserrado de madera, materiales similares y plástico. Gracias a la oferta de hojas especiales de serrar Festool, las máquinas también pueden utilizarse para serrar aluminio.

La máquina no debe ser ni transformada ni modificada de una manera diferente a lo indicado en este manual de instrucciones, p. ej., para cualquier tipo de utilización diferente al aquí indicado.

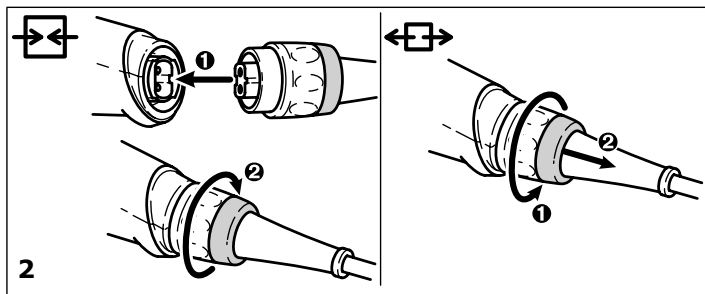
**ADVERTENCIA** El usuario será responsable por daños y accidentes que resulten del uso incorrecto.

## Conexión eléctrica

La tensión de la red tiene que coincidir con lo indicado en la placa de características. Se requiere un fusible de 16 A (con 120 V), o un correspondiente disyuntor de protección.

Vea la figura siguiente para enchufar y desenchufar el cable de conexión.

**ADVERTENCIA** Apague la máquina siempre antes de conectar o desconectar el cable de conexión a la herramienta o al tomacorriente.



## Cable de prolongación

Cuando se necesite un cable de prolongación, éste tiene que disponer de una sección suficiente a fin de evitar una excesiva caída de tensión o un sobrecalentamiento. Una excesiva caída de la tensión reduce la potencia y puede conducir a una destrucción del motor. En la tabla adjunta se indica el diámetro de cable correcto para la TS 75 EQ, a saber, en función de la longitud de cable. Emplear únicamente los cables de prolongación listados por U.L. y CSA. No emplear nunca dos cables de prolongación conectados el uno con el otro. En lugar de ello, emplear uno correspondientemente largo.

Longitud total del cable (pies)	25	50	100	150
Diámetro de cable (AWG)	14	12	10	-

**Observación:** Cuanto más bajo es el número AWG, tanto mayor es el diámetro del cable.

## Ajustes en la máquina

**ADVERTENCIA** ¡Desenchufar siempre el enchufe de la fuente de alimentación, antes de proceder a cualquier tipo de ajustes en la sierra circular de mano, o antes de montar o desmontar cualquier tipo de accesorios!

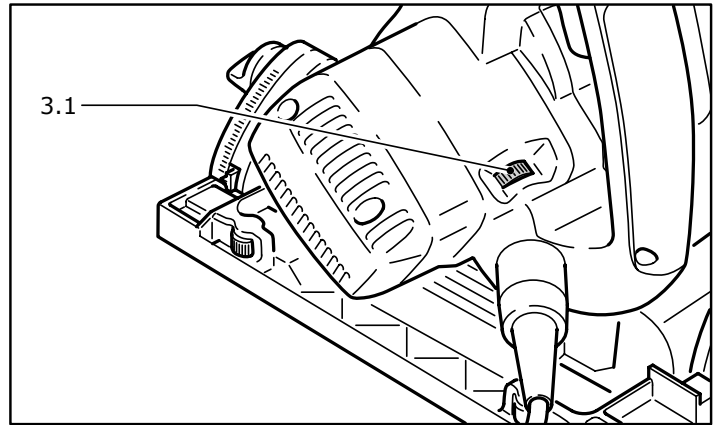
## Regulación electrónica

La TS 75 EQ dispone de un sistema electrónico de onda completa con las siguientes funciones:

### Arranque suave:

El arranque suave proporciona una puesta en marcha de la máquina sin sacudidas.

### Regulación del número de revoluciones:



Con ayuda del regulador del número de revoluciones (3.1) se puede ajustar la velocidad de la hoja de sierra, sin escalonamientos, a un valor de entre 1350 y 3550 rpm. De esta forma, la velocidad de corte se puede adaptar de forma óptima a cada material.

Material	Escalón de velocidad
Madera maciza (dura, blanda) Placas de viruta y de fibra dura Madera laminada, tableros de mesa de carpintero, placas enchapadas y revestidas	6 3-6 6
Plásticos, plásticos de fibra de vidrio reforzada (GfK), papel y tejidos Vidrio acrílico	3-5 4-5
Placas de fibras de yeso y cemento aglomerado	1-3
Placas y perfiles de aluminio hasta 15 mm	4-6

### Velocidad constante:

La velocidad preseleccionada adas se mantendrán constant con la marcha en vacío y durante el proceso de trabajo.

### Protector contra sobrettemperatura

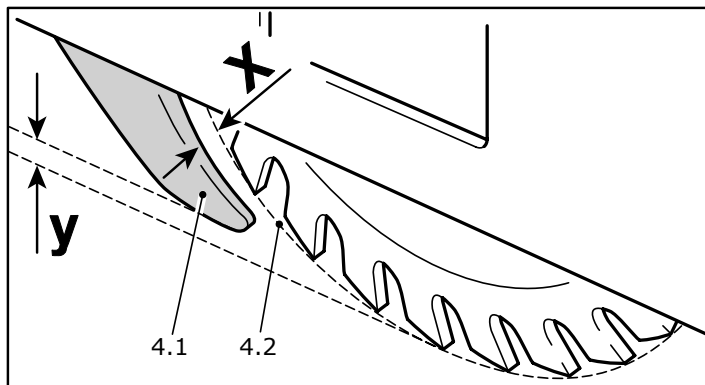
Cuando el motor alcanza una temperatura crítica, el sistema electrónico de seguridad desconecta la máquina para prevenir un sobrecalentamiento.

Después de un tiempo de enfriamiento de aprox. 3-5 minutos, la máquina está preparada para volver a funcionar. Si la máquina está en marcha (marcha en vacío) el tiempo de enfriamiento se reduce.

### Limitación de corriente

La limitación de corriente evita, en caso de una sobrecarga extrema, un consumo tolerable de corriente muy alto. Esto puede causar una reducción de la velocidad del motor. Tras aliviarse la carga, el motor vuelve a ponerse en marcha inmediatamente.

### Cuña de incisión

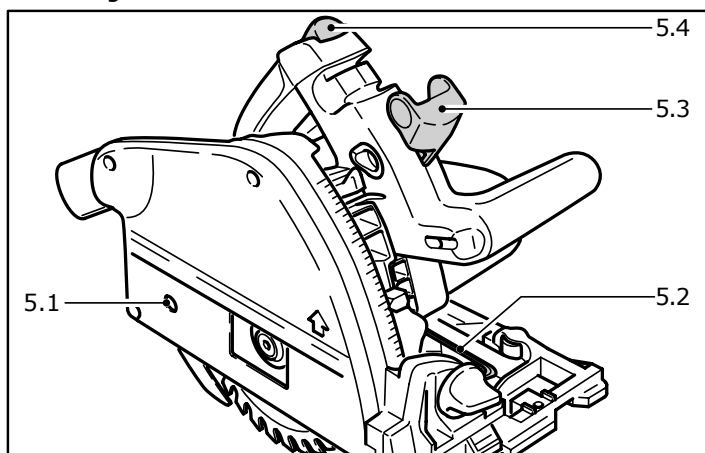


**ADVERTENCIA** La TS 75 EQ está equipada de serie con una cuña de incisión (4.1). ¡Por razones de seguridad, todos los trabajos de aserrado sólo deben ser llevados a cabo estando montada y correctamente ajustada la cuña abridora!

La cuña abridora tiene que ajustarse, de manera que

- la distancia entre la cuña y el círculo de alcance de filo (4.2) de la hoja de sierra sea de 2 a 4 mm (medida x), y que
- la hoja de sierra sobresalga de 2 a 4 mm por encima de la cuña abridora (medida y).

### Para ajustar la cuña abridora:



- Mueva la palanca (5.3) hasta el tope,
- desplace hacia arriba el bloqueo de conexión (5.4) y presione hacia abajo el grupo de sierra hasta que encaje,
- afloje el tornillo (5.1) con una llave de macho hexagonal (5.2),

- ajuste la cuña de partir como se indica en la figura 4,
- apriete el tornillo (5.1),
- vuelva a colocar la palanca (5.3) a su posición inicial.

### Hoja de sierra

**ADVERTENCIA** Controlar regularmente si la hoja de sierra aún se encuentra en perfecto estado. Las hojas de sierra con grietas o deformadas no deben continuar empleándose, sino que tienen que ser cambiadas inmediatamente.

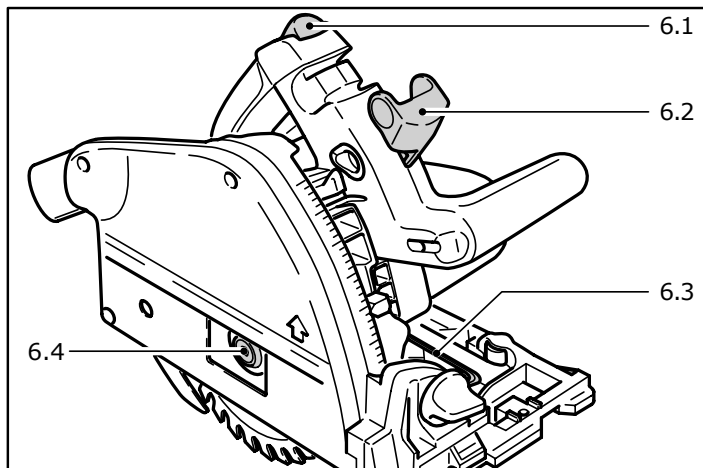
Al elegir las hojas de sierra, es imprescindible observar los puntos indicados a continuación:

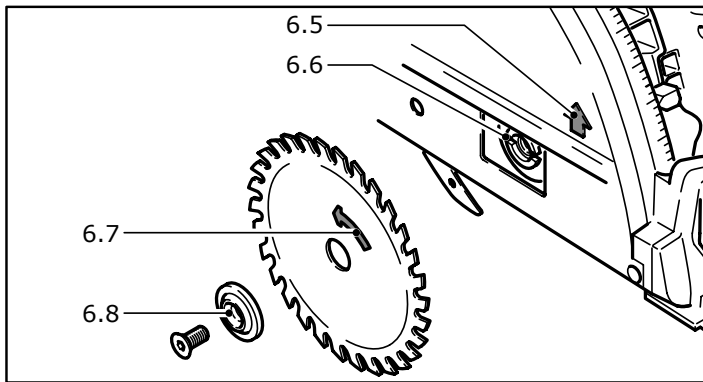
- No está permitido emplear hojas de sierra de acero rápido de alta aleación (hojas de sierra circular HSS), ya que de lo contrario existe un elevado peligro de reculada.
- Solamente deben emplearse hojas de sierra, cuyo diámetro exterior se encuentra entre 210 mm.
- El diámetro del orificio de alojamiento de la hoja de sierra tiene que ser de 30 mm.
- Solamente deben emplearse hojas de sierra, cuyo espesor del cuerpo base es de 1.8 mm como máximo, y cuyo ancho de corte es de 2.4 a 2.6 mm.

La TS 75 EQ ha sido expuesta a pruebas con las hojas de sierra Festool expuestas en el catálogo de la casa Festool. Por su propia seguridad, le recomendamos emplear únicamente estas hojas de sierra. Para realizar el cambio de la hoja de sierra, colocar la sierra circular de mano sobre una mesa, de manera que la hoja de sierra quede separada unos milímetros del canto de la mesa.

No olvide, que las hojas de sierra han sido producidas para aserrar, y que están correspondientemente afiladas. Por ello, recomendamos manejar cuidadosamente la hoja de sierra.

### Cambio de la hoja de sierra

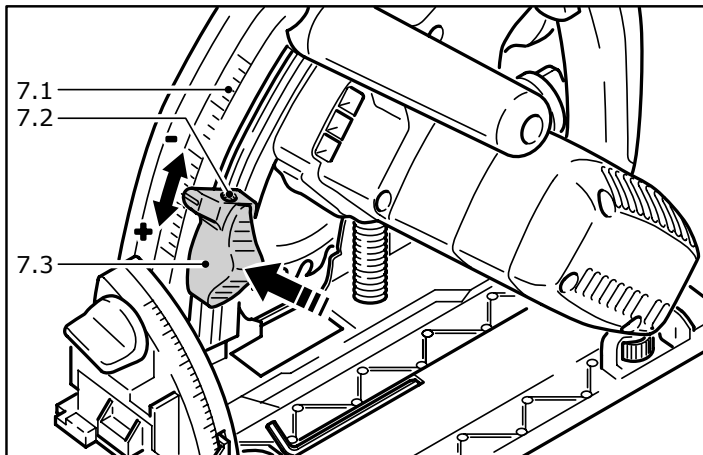




- Mueva la palanca (6.2) hasta el tope,
- desplace hacia arriba el bloqueo de conexión (6.1) y presione hacia abajo el grupo de sierra hasta que encaje,
- afloje el tornillo (6.4) con una llave de macho hexagonal (6.3),
- retire la hoja de sierra,
- limpie las bridas (6.6, 6.8),
- coloque una hoja de sierra nueva. **ADVERTENCIA** ¡El sentido de giro de la hoja de sierra (6.7) y la máquina (6.5) deben coincidir!
- Coloque la brida externa (6.8) de tal modo que los tacos de arrastre encajen en las entalladuras de la brida interior (6.6),
- apriete el tornillo (6.4),
- vuelva a colocar la palanca (6.2) a su posición inicial.

## Profundidad de corte

La profundidad de corte puede ajustarse entre 0 – 75 mm:



- Presione el tope de profundidad de corte (7.3) y desplácelo hasta la profundidad deseada (los valores indicados en la escala (7.1) son válidos para cortes de 0° sin riel de guía),
- suelte el tope de profundidad de corte (el tope encaja en pasos de 1 mm).

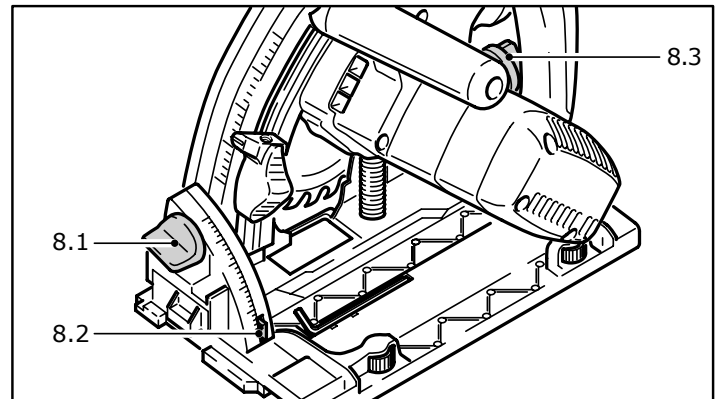
El grupo de sierra puede ahora presionarse hacia abajo hasta la profundidad de corte ajustada.

En el orificio (7.2) del tope de profundidad de corte puede enroscarse un tornillo prisionero (M 4 x 8 hasta M 4 x 12). Al girar el tornillo prisionero, la

profundidad de corte puede ajustarse con más exactitud aún ( $\pm 0.1$  mm).

## Ángulo de corte

El grupo de sierra puede inclinarse entre 0° y 45°:

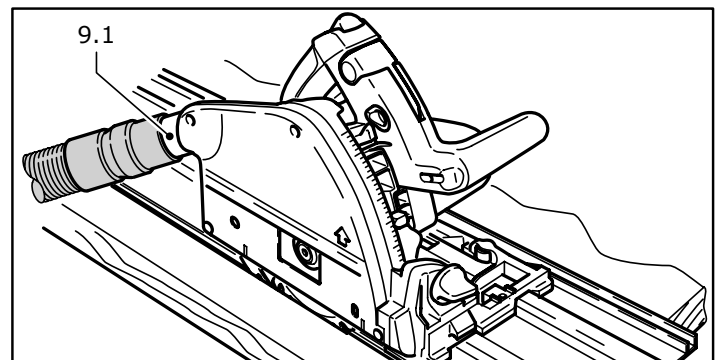


- Abra los botones giratorios (8.1, 8.3),
- Incline el grupo de sierra hasta el ángulo de corte deseado (8.2),
- Vuelva a apretar los botones giratorios.

**Advertencia:** las dos posiciones finales (0° y 45°) vienen ajustadas de fábrica y pueden ser reajustadas por el servicio de atención al cliente.

## Aspiración

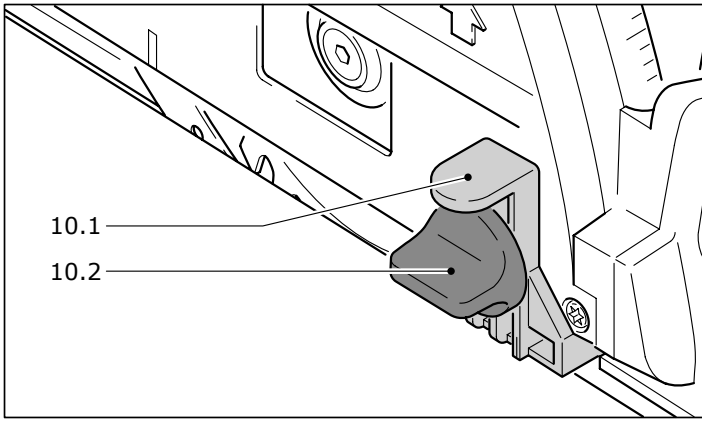
En particular al trabajar en estancias cerradas, recomendamos conectar un dispositivo aspirador de virutas a la sierra circular de mano. De este modo se evita una carga excesiva de polvo en el aire, simplificando, además, el mantenimiento de la limpieza del puesto de trabajo, optimando así la calidad de su trabajo.



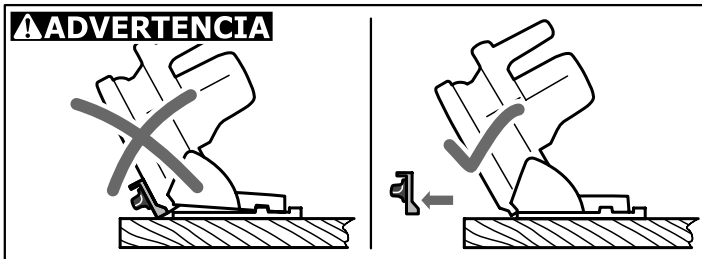
En los racores móviles de aspiración (9.1) puede acoplarse un aspirador Festool con un diámetro del tubo flexible de 36 ó 27 mm (se recomienda 36 mm debido al mínimo peligro de atascamiento).

## Montaje de la protección contra astillas

En cortes de 0°, la protección contra astillas (accesorio) mejora considerablemente la calidad del canto de corte en la zona serrada de la pieza en su parte superior.



- Coloque la protección contra astillas (10.1) en la caperuza de protección,
- Coloque la máquina sobre la pieza de trabajo o en el riel de guía,
- Presione hacia abajo la protección contra astillas hasta que esté situada sobre la pieza de trabajo y apriétela con el botón giratorio (10.2).
- Sierre la protección contra astillas (ajuste la máquina a la profundidad máxima de corte y a la posición 1 de velocidad).

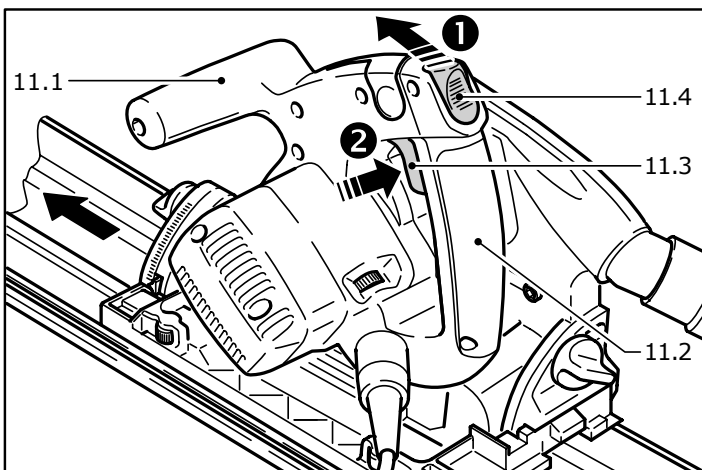


**Utilice la protección contra astillas sólo para cortes de 0°. Retire siempre la protección contra astillas al realizar cortes a inglete.** La protección contra astillas provoca que la sierra circular se desvíe al realizar cortes a inglete en la pieza de trabajo, por lo que pueden producirse lesiones graves.

## Funcionamiento

**ADVERTENCIA** ¡Antes de iniciar el trabajo es imprescindible leer y entender las instrucciones en razón de la seguridad!

## Conexión y desconexión de la máquina



**ADVERTENCIA** La máquina tiene que ser sujeta siempre con ambas manos por la empuñadura (11.2) y por la empuñadura adicional (11.1) durante la conexión y el uso.

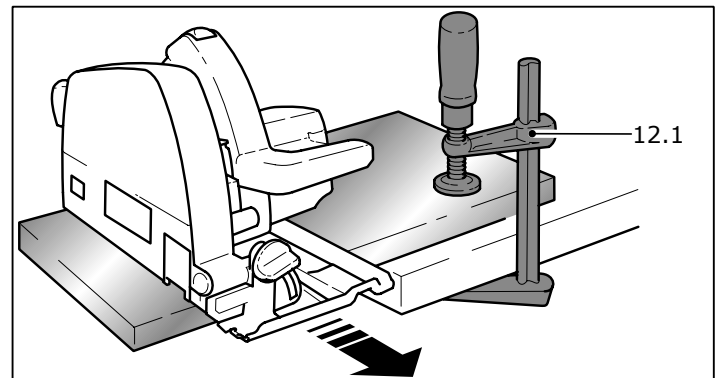
Para la conexión desplace primero hacia delante el bloqueo de conexión y de desenclavamiento (11.4) y presione luego el interruptor de "Conexión"- "Desconexión" (11.3). Seguidamente puede presionar la máquina hacia abajo para aserrar y soltar el bloqueo de conexión y de desenclavamiento.

Para la desconexión sólo tiene que soltar el interruptor de "Conexión"- "Desconexión".

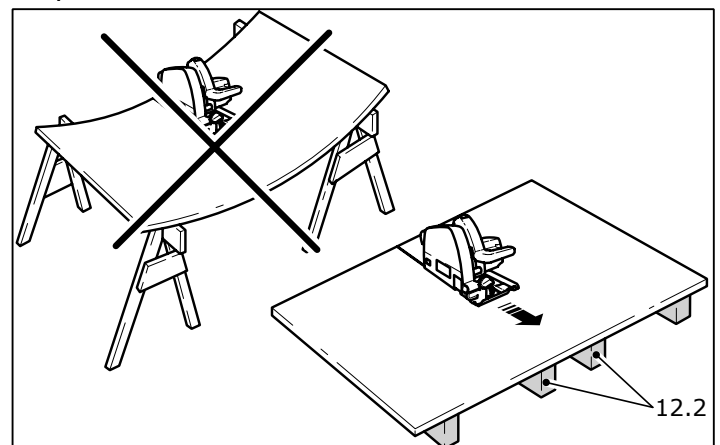
**ADVERTENCIA** Tras la desconexión de la máquina, la hoja de sierra continúa girando en inercia durante un momento. ¡Proceda con cuidado, para evitar que la hoja de sierra entre en contacto con alguna parte de su cuerpo mientras continúa girando en inercia!

Tan pronto como al terminar el corte de aserrado levante la máquina de la pieza, ésta retrocede elástica y automáticamente a su posición inicial, y la hoja de sierra entra completamente de nuevo en la caperuza protectora.

## Apoyo de las piezas



Facilite en todo momento un apoyo seguro de sus piezas, y que no se puedan mover durante el aserrado. En caso contrario existe un gran peligro de accidentes. No sujete nunca la pieza que vaya a aserrar con las manos o sobre sus piernas. En lugar de ello, emplee prensas de tornillo (12.1) u otros dispositivos apropiados para la fijación de su pieza.

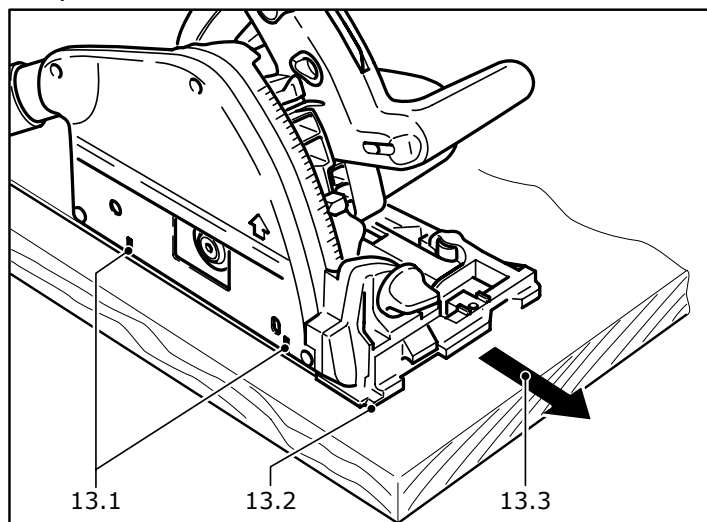




Las piezas grandes y largas no deben colocarse nunca de manera que flexionen en el centro o en el punto de corte. En caso dado, esto puede conducir a un aprisionamiento de la hoja de sierra y a un rebote brusco. En lugar de ello, calce la pieza con varios listones (12.2), en particular en las inmediaciones del punto de corte.

## Trabajos de aserrado

**⚠ADVERTENCIA** Antes de iniciar el corte, la máquina tiene que haber alcanzado su plena velocidad, y solamente debe ser desconectada después de haber terminado el corte.



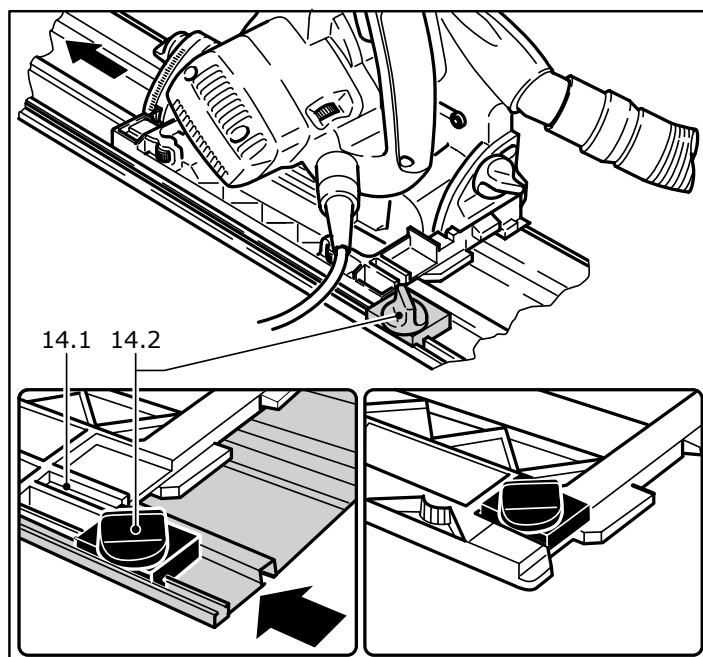
**⚠ADVERTENCIA** Corte siempre en el sentido contrario al del avance de la pieza, es decir, contra la pieza (desplazando la sierra circular de mano hacia delante, 13.3) y nunca en el sentido del avance de la pieza, es decir, apartándose de la pieza (desplazando la sierra circular de mano hacia atrás). Al aserrar en el sentido del avance de la pieza existe el peligro, de que la sierra circular de mano salte fuera de la ranura de corte (rebote), pudiendo producir lesiones graves.

### A) Tronzado:

- Colocar la parte delantera de la mesa de aserrado sobre la pieza. El indicador de corte (13.2) muestra el proceso en cortes de 0° y 45° (sin riel de guía).
- Conectar la máquina y presionar la sierra hacia abajo hasta la profundidad de corte ajustada.
- Desplazar la máquina en el sentido de corte. Observar que la mesa de aserrado descansa siempre fijamente sobre la pieza.
- Desconectar la máquina después de terminar el corte.

### B) Serrar segmentos (cortes de inmersión)

**⚠ADVERTENCIA** A fin de evitar contragolpes, deberá observar obligatoriamente las siguientes indicaciones al efectuar cortes de inmersión:



- Coloque siempre la máquina con el canto posterior de la mesa de serrar contra un tope fijo. En caso de trabajar con el riel de guía, coloque la máquina junto a la parada de contragolpe (14.2) fijada sobre el riel de guía. Si no resulta necesario, la parada de contragolpe puede dejarse en la placa guía (14.1) de la máquina.
- La máquina se sostendrá firmemente con las dos manos y se sumergirá lentamente.

**Modo de proceder:** posicione la máquina sobre la pieza de trabajo y colóquela junto a un tope (parada de contragolpe), conecte la máquina, presione lentamente hacia abajo hasta la profundidad de corte ajustada y avance en la dirección de corte.

Las marcas (13.1) muestran el punto de corte situado más adelante y más atrás de la hoja de sierra (Ø 160 mm).

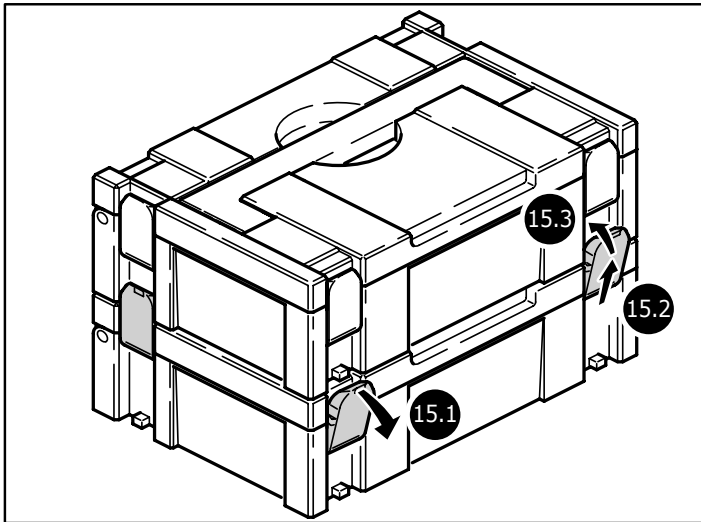
### C) Serrar aluminio

**⚠ADVERTENCIA** Al trabajar con aluminio deberá tener presente las siguientes medidas por motivos de seguridad:

- Agregar un interruptor de corriente de defecto (FI).
- Conectar la máquina a un aparato de aspiración apropiado.
- Limpiar periódicamente los depósitos de polvo acumulados en la carcasa del motor y en la caperuza de protección.
- Usar gafas de protección.
- El aluminio sólo debe serrarse con las hojas de sierra especiales previstas para tal fin.
- Al serrar placas, hay que lubricar con nafta, los perfiles de capa delgada (hasta 3 mm) pueden trabajarse sin lubricación.

## Systainer

Muchos de los productos Festool se entregan en un embalaje exclusivo denominado "Systainer" que sirve de protección a la herramienta y sus complementos, además de facilitar su almacenamiento. Los Systainer pueden apilarse y encajan unos con otros. Además se adaptan sin problema a cualquier aparato de aspiración CT de Festool.



- Coloque un Systainer sobre otro.
- Abra los cuatro enganches del Systainer de abajo tirando de sus extremos superiores (15.1).
- Deslice los cuatro enganches hacia arriba (15.2).
- Presione los cuatro enganches hasta que queden planos (15.3) y puedan así acoplarse en los soportes del Systainer colocado encima.

## Mantenimiento y limpieza

**⚠ADVERTENCIA** Todos los trabajos de mantenimiento y de reparación que requieran una abertura de la carcasa del motor o del mecanismo de transmisión, solamente deben ser llevados a cabo por un taller de servicio de asistencia técnica autorizado (su concesionario le facilitará la información adecuada)! Un mantenimiento o reparación de la máquina por personas no autorizadas puede ser la causa de una conexión errónea de los cables conductores de corriente eléctrica o de otros componentes, lo cual puede ser la causa de accidentes con lesiones graves.

**⚠ADVERTENCIA** ¡A fin de evitar accidentes, antes de proceder a todo tipo de trabajos de mantenimiento o de reparación en la máquina se tiene que desenchufar el enchufe de la fuente de alimentación de corriente! ¡No emplear aire comprimido para limpiar la herramienta eléctrica! No intente nunca limpiar piezas en el interior de la máquina introduciendo algún objeto a través de las aberturas de la carcasa de la máquina.

**⚠PRECAUCION** Algunos detergentes y disolventes pueden dañar los componentes de material sintético. Entre éstos se encuentran: Bencina, carbonilcloruro, soluciones detergentes de contenido de cloro, amoniaco, así como detergentes de uso doméstico amónicos. A fin de garantizar la circulación del aire, las aberturas para el aire de refrigeración en la carcasa del motor tienen que ser mantenidas continuamente libres y limpias.

- El aparato está equipado con escobillas especiales de autodesconexión.
- Al desgastarse, se efectúa una interrupción automática de la corriente y la máquina se para. En este caso, el aparato deberá ser llevado a un taller de servicio de asistencia técnica autorizado, donde se cambiarán las escobillas.
- Al levantarla de la pieza, la máquina se desplaza elástica y automáticamente a su posición inicial, la hoja de sierra entra en la caperuza protectora y el bloqueo de conexión y desenclavamiento enclava de nuevo. En caso de irregularidades en el funcionamiento, la sierra circular de mano ya no deberá ser empleada, sino que deberá ser reparada sin pérdida de tiempo en un taller de servicio de asistencia técnica autorizado.
- La cuña abridora tiene que estar alineada con la hoja de sierra y no debe estar doblada (deformada). Una cuña abridora defectuosa tiene que ser cambiada inmediatamente. Bajo ninguna circunstancia se deberá trabajar sin cuña abridora ya que en caso dado existe un gran peligro de rebotes.
- El filo de la hoja de sierra se pierde con el tiempo, aún cuando ésta es empleada debidamente. Cambie la hoja de sierra tan pronto como note que necesita una mayor fuerza para el avance de la máquina durante el aserrado, o cuando registre una merma en la calidad de corte. Las hojas de sierra sin filo deberán ser reafiladas en un taller de servicio de asistencia técnica autorizado. Desmunte la hoja de sierra cuando desee limpiar la resina adherida y la suciedad de madera, empleando para ello kerosina.

## Accesorios

Encontrará los números de pedido de estas hojas, así como de otros accesorios que le permitirán un uso versátil y efectivo de su sierra circular en el catálogo Festool o en la dirección de Internet [www.festool-usa.com](http://www.festool-usa.com).

### Tope paralelo, ampliación de mesa

Para anchuras de segmento hasta 180 mm puede emplearse un tope paralelo.

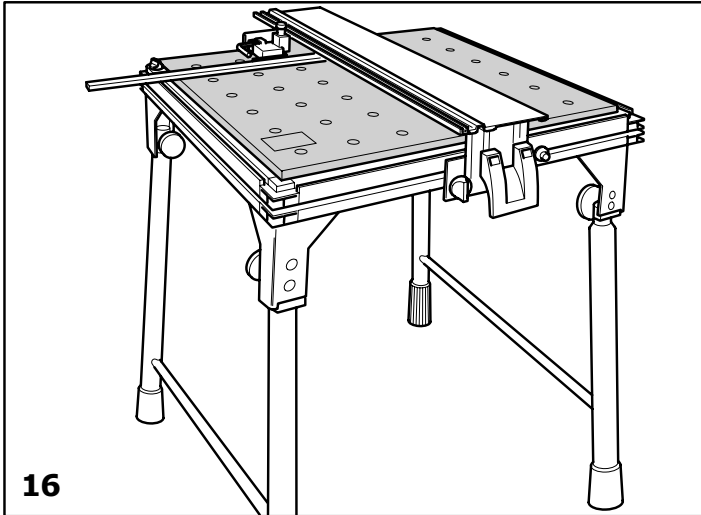
El tope paralelo también puede utilizarse como ampliación de mesa.

## Protección lateral, machihembrados

La protección lateral montable en la caperuza de protección mejora la efectividad de la aspiración en cortes de 0°.

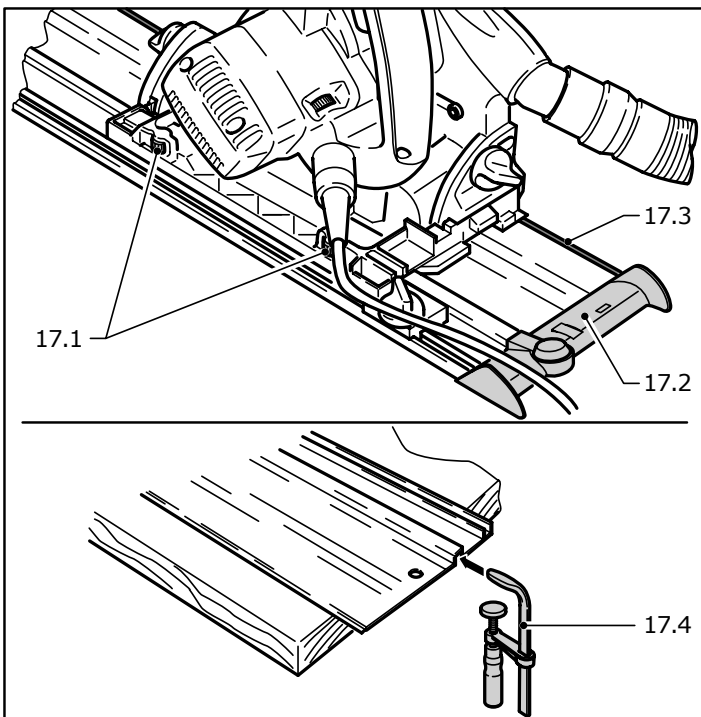
Simultáneamente, la protección puede utilizarse como tope machihembrado para anchuras a partir de 18 mm.

## Mesa multifuncional



La mesa multifuncional disponible en dos tamaños (MFT 800, MFT 1080) permite una sujeción fácil de las piezas de trabajo y, en combinación con el sistema de guía, un trabajo seguro y preciso de piezas grandes y pequeñas. Gracias al amplio abanico de posibilidades de aplicación, es posible trabajar de manera provechosa, rentable y ergonómica.

## Sistema de guía



Los rieles guía disponibles en diferentes longitudes permiten unos cortes precisos, limpios, protegiendo al mismo tiempo la superficie de la pieza de trabajo ante posibles daños. En combinación con

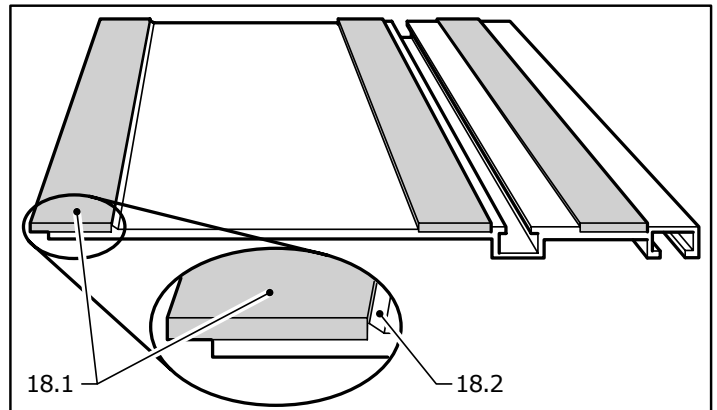
el extenso conjunto de accesorios, es posible efectuar con el sistema de guía unos cortes angulares, a inglete y unos trabajos de adaptación con gran exactitud.

La posibilidad de fijación mediante abrazaderas (17.4) permite una sujeción estable y un trabajo seguro. El derivador opcional (17.2) evita que el cable de alimentación y el tubo flexible de aspiración queden enganchados en el extremo del riel de guía.

El juego de guiado de la mesa de serrar sobre los rieles guía puede regularse con las dos mordazas de ajuste (17.1).

La protección contra astillas (17.3, 18.1) de los rieles de guía impiden que se astillen los cantos de corte al presionar la superficie de la pieza de trabajo hacia abajo contra los dientes de la hoja de sierra en movimiento. La protección contra astillas debe cortarse a medida antes de la primera aplicación:

- Ajuste la velocidad de la máquina al escalón 6,
- Coloque la máquina en el extremo posterior del riel de guía,
- Conecte la máquina, presione hacia abajo hasta la profundidad de corte ajustada y sierre la protección contra astillas en toda su longitud sin desviarse. El canto de la protección contra astillas se corresponde exactamente con el canto de corte.



Debe sustituirse sin falta la protección contra astillas al apreciarse el menor síntoma de deterioro o desgaste:

- Extraiga la anterior protección contra astillas (18.1) del listón guía.
- Limpie cuando proceda el riel de guía de restos de pegamento y de suciedad originada por la protección contra astillas.
- Retire el plástico que cubre la nueva protección contra astillas hasta que la cinta adhesiva quede al descubierto.
- Sin estirar la goma, coloque con cuidado la nueva protección contra astillas sobre la parte inferior del listón guía, alineándola con el nervio guía (18.2).
- Presione con fuerza la protección contra astillas contra el listón guía.

- Corte a medida la protección contra astillas, tal y como se ha descrito con anterioridad.

## Hojas de sierra, otros accesorios

Para poder trabajar en diferentes materiales de una manera rápida y limpia, Festool ofrece hojas de sierra diseñadas especialmente para su máquina.

Los números de pedido para los hojas de sierra y respectivos accesorios se encuentran en su catálogo Festool o en la dirección de Internet [www.festool.com](http://www.festool.com).

## Garantía

### Condiciones de la Garantía 1 + 2

Usted tiene derecho a una garantía extendida gratuita (1 año + 2 años = 3 años) para su herramienta mecánica Festool. Festool se hará responsable por los gastos de envío durante el primer año de garantía. Durante el segundo y tercer año de garantía el cliente es responsable por el costo del envío de la herramienta a Festool. Festool pagará el embarque de regreso al cliente usando UPS Ground Service. Todo el servicio de garantía es válido por 3 años desde la fecha de la compra de acuerdo a la fecha de su recibo o factura de compra.

### Garantía limitada de Festool

Esta garantía es válida con la condición previa de que la herramienta se usa y opera de conformidad con las instrucciones de operación de Festool. Festool garantiza, sólo al comprador original, que la herramienta especificada estará libre de defectos de fabricación y materiales durante un periodo de un año a partir de la fecha de compra. Festool no otorga otras garantías, ni explícitas ni implícitas para ninguna de las herramientas mecánicas portátiles Festool. Ningún agente, representante, distribuidor, comerciante o empleado de Festool está autorizado para extender o modificar de cualquier manera las obligaciones o limitaciones de esta garantía. Las obligaciones de Festool, a su propia entera discreción, están limitadas a la reparación o sustitución de cualquier herramienta portátil Festool que se encuentre estar defectuosa

en el momento de ser embalada junto con el manual de usuario.

Quedan excluidos de la cobertura en esta garantía: el desgaste normal; los daños causados por uso indebido, el abuso o negligencia; los daños causados por cualquier otra causa que no sean defectos del material o de la fabricación. Esta garantía no aplica a accesorios como cuchillas de sierras circulares, brocas de taladro, barrenas de buriladora, cuchillas de sierra, cuchillas para sierras de calado, correas de lijadoras y ruedas de esmeril. También se excluyen las "partes que se desgastan" como cepillos de carbón, laminillas de herramientas de aire, collarines de hule y sellos, discos y cojines de lijado, y baterías.

Las herramientas mecánicas portátiles Festool que requieran de reemplazo o reparación deben devolverse con el recibo de compra a Festool (llame al 800-554-8741 para los detalles de la dirección).

**EN NINGÚN CASO FESTOOL SE HARÁ RESPONSABLE POR LOS DAÑOS SECUNDARIOS O CONSECUENTES OCASIONADOS POR LA VIOLACIÓN DE ESTA O CUALQUIER OTRA GARANTÍA, SEA EXPLÍCITA O IMPLÍCITA. TODAS LAS GARANTÍAS IMPLICADAS POR LEYES ESTATALES, INCLUYENDO LAS GARANTÍAS IMPLICADAS DE COMERCIALIZACIÓN Y ADECUACIÓN A UN PROPÓSITO PARTICULAR, QUEDAN LIMITADAS A TRES AÑOS DE DURACIÓN.**

Algunos estados de EE.UU. y algunas provincias de Canadá no permiten las limitaciones en cuanto a la duración de las garantías implícitas, de modo que la limitación arriba indicada puede que no le afecte. A excepción de algunas garantías implicadas por leyes estatales o provinciales, limitadas por la presente, la anteriormente citada garantía, expresamente limitada, es exclusiva y sustituye a cualquier otra garantía, acuerdo u obligación similar de Festool.

Esta garantía le concede derechos legales específicos y usted podría tener otros derechos legales que varían de estado a estado en EE.UU. y de provincia a provincia en Canadá.











## Free Manuals Download Website

<http://myh66.com>

<http://usermanuals.us>

<http://www.somanuals.com>

<http://www.4manuals.cc>

<http://www.manual-lib.com>

<http://www.404manual.com>

<http://www.luxmanual.com>

<http://aubethermostatmanual.com>

Golf course search by state

<http://golfingnear.com>

Email search by domain

<http://emailbydomain.com>

Auto manuals search

<http://auto.somanuals.com>

TV manuals search

<http://tv.somanuals.com>