

TRION

PS 300 EQ

PSB 300 EQ



Instruction manual

Page 2 - 8

IMPORTANT: Read and understand all instructions before using.

Guide d'utilisation

Page 9 - 16

IMPORTANT: Lire et comprendre toutes les instructions avant de démarrer les travaux.

Manual de instrucciones

Página 17 - 24

IMPORTANTE: Lea y comprende todas las instrucciones antes de usar.

Contents

Safety rules	2
Technical data	3
Symbols	3
Functional description	4
Use for intended purpose	4
Electrical connection and operation	4
Extension cord	4
Tool settings	4
Electronic control	4
Pendulum stroke	5
Adjusting the base runner	5
Fitting the splinterguard	5
Fitting the chip guard	5
The chip extractor	6
Adjusting the sawblade guide	6
Changing the sawblade	6
Working with the tool	6
Metalworking	6
Free hand according to the scribe mark	6
Plunge cutting without pilot drilling	6
Accessories, tools	7
Festool guide system FS	7
Parallel guide	7
Circle cutter	7
Systainer	7
Other accessories, saw blades	8
Maintenance and care	8
Warranty	8

Safety rules

⚠️ WARNING Read and understand all instructions. Failure to follow all instructions listed below may result in electric shock, fire and/or serious personal injury.

SAVE THESE INSTRUCTIONS

General safety rules

1) Work area safety

a) Keep work area clean and well lit. Cluttered and dark areas invite accidents.

b) Do not operate power tools in explosive atmospheres, such as in the presence of flammable liquids, gases or dust. Power tools create sparks which may ignite the dust or fumes.

c) Keep children and bystanders away while operating a power tool. Distractions can cause you to lose control.

2) Electrical safety

a) Power tool plugs must match the outlet. Never modify the plug in any way. Do not use any adapter plugs with earthed (grounded) power tools. Unmodified plugs and matching outlets will reduce risk of electric shock.

b) Avoid body contact with earthed or grounded surfaces such as pipes, radiators, ranges and refrigerators. There is an increased risk of electric shock if your body is earthed or grounded.

c) Do not expose power tools to rain or wet conditions. Water entering a power tool will increase the risk of electric shock.

d) Do not abuse the cord. Never use the cord for carrying, pulling or unplugging the power tool. Keep cord away from heat, oil, sharp edges or moving parts. Damaged or entangled cords increase the risk of electric shock.

e) When operating a power tool outdoors, use an extension cord suitable for outdoor use. Use of a cord suitable for outdoor use reduces the risk of electric shock.

f) Hold power tool by insulated gripping surfaces only, when performing an operation where the cutting accessory may contact hidden wiring or its own cord. Contact with a „live“ wire will make exposed metal parts of the power tool „live“ and shock the operator.

3) Personal safety

a) Stay alert, watch what you are doing and use common sense when operating a power tool. Do not use a power tool while you are tired or under the influence of drugs, alcohol or medication. A moment of inattention while operating power tools may result in serious personal injury.

b) Use safety equipment. Always wear eye protection. Safety equipment such as dust mask, non-skid safety shoes, hard hat, or hearing protection used for appropriate conditions will reduce personal injuries.

c) Avoid accidental starting. Ensure the switch is in the off position before plugging in. Carrying power tools with your finger on the switch or plugging in power tools that have the switch on invites accidents.

d) Remove any adjusting key or wrench before turning the power tool on. A wrench or a key left attached to a rotating part of the power tool may result in personal injury.

e) Do not overreach. Keep proper footing and balance at all times. This enables better control of the power tool in unexpected situations.

f) **Dress properly. Do not wear loose clothing or jewellery. Keep your hair, clothing and gloves away from moving parts.** Loose clothes, jewellery or long hair can be caught in moving parts.

g) **If devices are provided for the connection of dust extraction and collection facilities, ensure these are connected and properly used.** Use of these devices can reduce dust related hazards.

4) Tool use and care

a) **Do not force the power tool. Use the correct power tool for your application.** The correct power tool will do the job better and safer at the rate for which it was designed.

b) **Do not use the power tool if the switch does not turn it on and off.** Any power tool that cannot be controlled with the switch is dangerous and must be repaired.

c) **Disconnect the plug from the power source before making any adjustments, changing accessories, or storing power tools.** Such preventive safety measures reduce the risk of starting the power tool accidentally.

d) **Store idle power tools out of the reach of children and do not allow persons unfamiliar with the power tool or these instructions to operate the power tool.** Power tools are dangerous in the hands of untrained users.

e) **Maintain power tools. Check for misalignment or binding of moving parts, breakage of parts and any other condition that may affect the power tools operation. If damaged, have the power tool repaired before use.** Many accidents are caused by poorly maintained power tools.

f) **Keep cutting tools sharp and clean.** Properly maintained cutting tools with sharp cutting edges are less likely to bind and are easier to control.

g) **Use the power tool, accessories and tool bits etc., in accordance with these instructions and in the manner intended for the particular type of power tool, taking into account the working conditions and the work to be performed.** Use of the power tool for operations different from those intended could result in a hazardous situation.

5) Service

a) **Have your power tool serviced by a qualified repair person using only identical replacement parts.** This will ensure that the safety of the power tool is maintained.

Specific Safety Rules

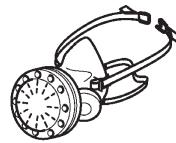
a) **Hold the tool only by insulated gripping surfaces when performing an operation where the cutting tool may contact hidden wiring or its own power cord.** Contact with a "live" wire will make exposed metal parts of the tool "live" and shock the operator.

⚠ WARNING TO REDUCE THE RISK OF INJURY, USER MUST READ AND UNDERSTAND INSTRUCTION MANUAL.

⚠ WARNING Various dust created by power sanding, sawing, grinding, drilling and other construction activities contains chemicals known (to the State of California) to cause cancer, birth defects or other reproductive harm. Some examples of these chemicals are:

- Lead from lead-based paints,
- Crystalline silica from bricks and cement and other masonry products,
- Arsenic and chromium from chemically-treated lumber.

The risk from these exposures varies, depending on how often you do this type of work.



To reduce your exposure to these chemicals work in a well ventilated area and use approved safety equipment, such as dust masks that are specially designed to filter out microscopic particles.

Technical data

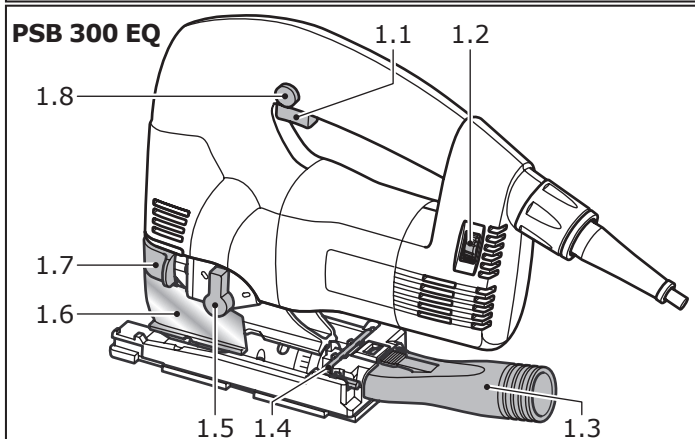
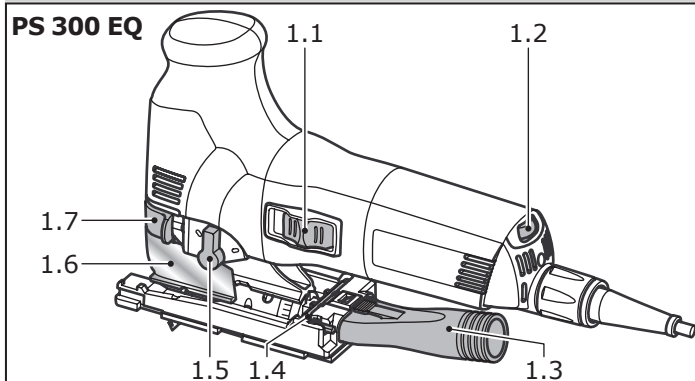
Wattage:	720 W
No load speed:	1 000 – 2 900 spm
Stroke length:	26 mm (1.02 in.)
Pendulum stroke:	3 stages
Bevel adjustment:	45° to both sides
Cutting depth (depending on saw blade)	
• wood:	120 mm (4.7 in.)
• aluminium:	20 mm (0.8 in.)
• steel:	10 mm (0.4 in.)
Weight:	2.4 kg (5.2 lbs)
Safety standard:	□ / II

Symbols

V	volts
A	amperes
Hz	hertz
W	watt
~	alternating current
n ₀	no load speed

□ Class II Construction
spm strokes per minute

Functional description



- 1.1 On/Off switch
- 1.2 Speed controller
- 1.3 Extractor connection piece
- 1.4 Allen key
- 1.5 Pendulum stroke switch
- 1.6 Chip guard
- 1.7 Chuck lever
- 1.8 Locking button (only PSB 300 EQ)

Use for intended purpose

These pendulum jigsaws are designed for sawing wood and wood-like materials. Plastics, steels, aluminum, non-ferrous metals and ceramic tiles can also be cut using special sawblades as recommended in the Festool sales documents for the specific materials.

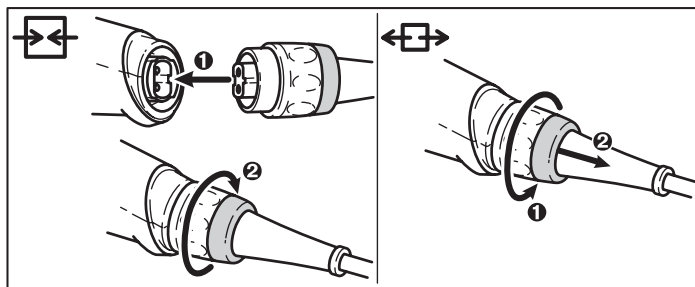
⚠ WARNING The user shall be liable for damages and accidents resulting from incorrect use.

Electrical connection and operation

The mains (supply) voltage must correspond to the voltage on the rating plate!

See the following Fig. for connecting or disconnecting the power cord of the tool.

⚠ WARNING Always switch the machine off before connecting or disconnecting the power cable!



The **PS 300 EQ** has a slide switch [1.1] to switch the tool on and off (I = ON, 0 = OFF).

The **PSB 300 EQ** has a pushbutton switch [1.1] to switch the tool on and off. This can be locked with the locking button [1.8] for continuous operation. Press the pushbutton switch again to release the lock.

Extension cord

If an extension power cord is required, it must have sufficient cross-section to prevent an excessive drop in voltage or overheating. An excessive drop in voltage reduces the output and can lead to failure of the motor. The table below shows you the correct cord diameter as a function of the cord length for the PS/PSB 300 EQ.

Total Extension Cord Length (feed)	25	50	100	150
Cord size (AWG)	18	16	12	10

Use only U.L. and CSA listed extension cords. Never use two extension cords together. Instead, use one longer one.

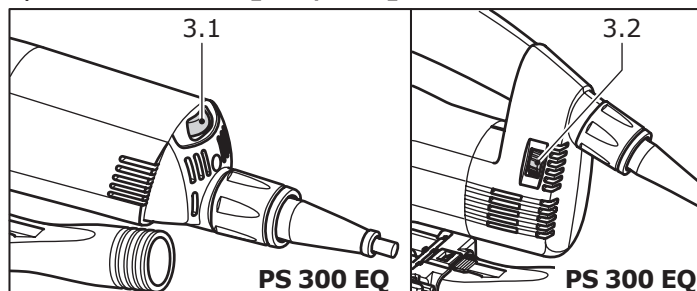
Note: The lower the A.W.G. number, the thicker the cord.

Tool settings

⚠ WARNING Always disconnect the plug from the power supply before making any adjustments to the tool or installing or removing any accessory!

Electronic control

The PS 300 EQ and PSB 300 EQ have control electronics which enable stepless adjustment of the stroke rate between 1000 and 2900 strokes per minute. The desired stroke rate is set with the speed controller [3.1, 3.2]:

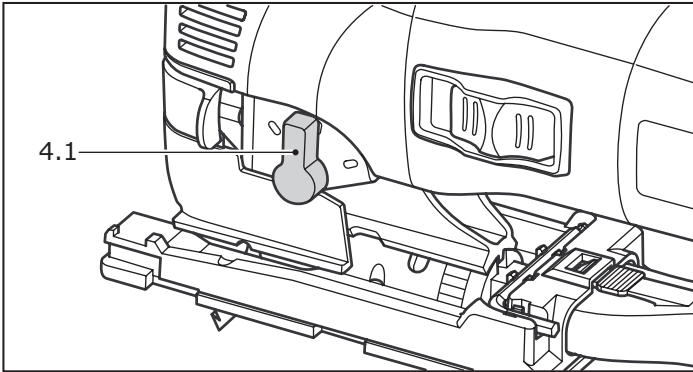


Recommended stroke rate (speed controller setting):

Hard and soft wood, wood core plywood: 6

Plywood, chip board:	6	- Release locking screw [5.1] with Allen key.
Wood fiberboard:	4-6	- Push base runner approx. 5 mm (1/5") forwards.
Plastics:	3-6	- Set desired inclination according to the scale [5.4].
Ceramic:	3-5	- Tighten locking screw [5.1].
Aluminum, NF metals:	3-5	
Steel:	2-4	

Pendulum stroke



In order to cut different materials with an optimum feed movement, these pendulum jigsaws have an adjustable pendulum stroke. Select the desired setting with the pendulum stroke switch [4.1]:

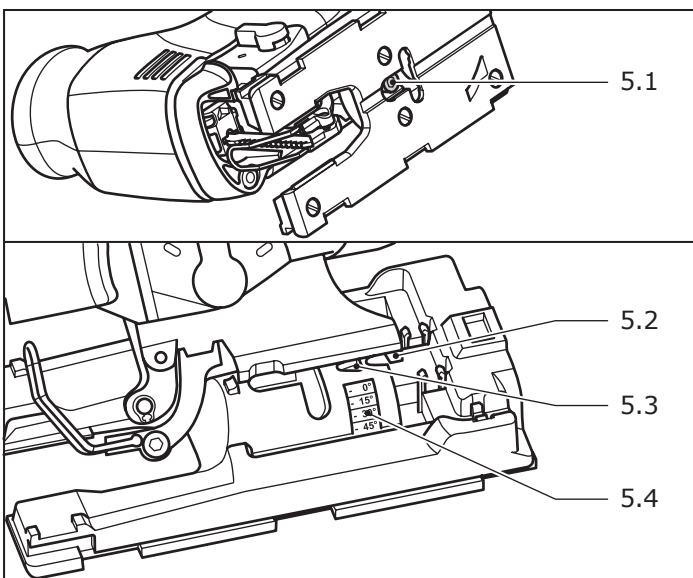
Setting 0 = pendulum stroke off

Setting 3 = maximum pendulum stroke

Recommended pendulum stroke settings:

Hard and soft wood:	1-3
Wood core plywood, plywood:	1-2
Chipboard, wood fiberboard:	1-3
Plastics:	1-2
Ceramic:	0
Aluminum, NF metals:	0-2
Steel:	0-1

Adjusting the base runner



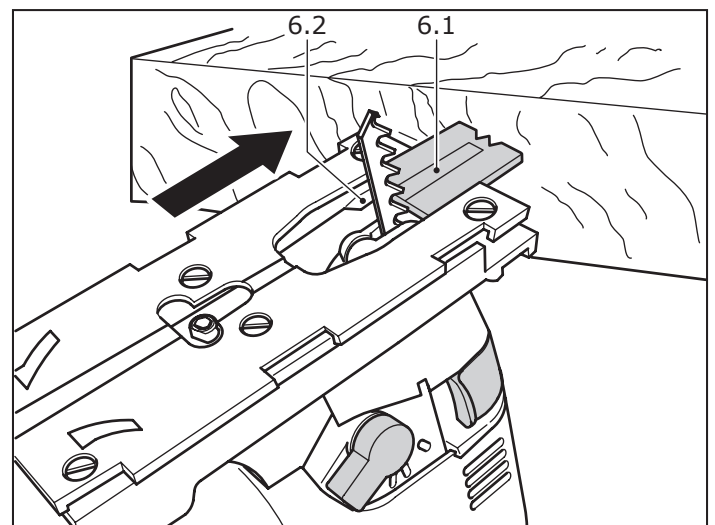
The base runner can be swiveled to both sides by up to 45° for bevel cuts:

- Turn off and unplug tool.
- Remove chip guard and splinterguard.

The base runner can be moved back for sawing close to edges.

- Turn off and unplug tool.
- Remove chip guard and splinterguard.
- Release locking screw [5.1] with Allen key.
- Push base runner to rear position so that the centering pin [5.2] fits in the opening [5.3].
- Tighten locking screw [5.1].

Fitting the splinterguard

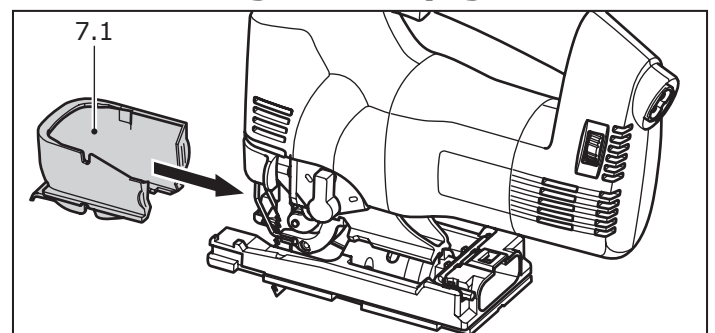


The splinterguard allows cuts with splinter-free edges, even on the exit side of the sawblade.

- With the tool switched off and unplugged, fit the splinterguard [6.1] on the guide [6.2] up to the sawblade.
- Switch the jigsaw on and with the tool running, use the tool to push the splinterguard in and cut on a level surface until the splinterguard is flush with the front edge of the base runner.

Note: The splinterguard must lie close to the sawblade on both sides to ensure reliable operation. Thus, a new splinterguard should be fitted every time the sawblade is changed to ensure splinter-free cuts.

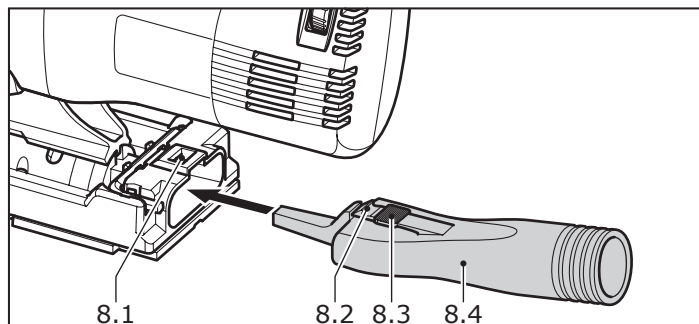
Fitting the chip guard



The chip guard prevents chips from flying off and improves the efficiency of the chip extractor.

- Turn off and unplug tool.
- Insert the chip guard [7.1] between the base runner and chuck lever, and push back with slight pressure until it catches in place.

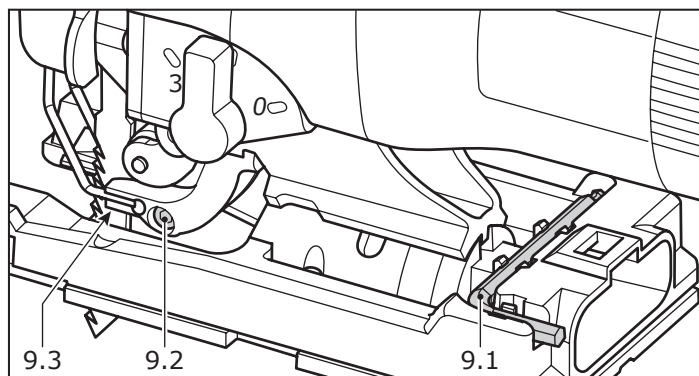
The chip extractor



Jigsaws can be connected to a dust extractor (hose diameter 27 mm / 1.06") using the extractor adapter [8.4].

- Turn off and unplug tool.
- Insert the extractor adapter into the rear hole of the base runner in so that the hook [8.2] catches in the notch [8.1].
- Press the lever [8.3] to remove the extractor adapter. The integrated blow-off system comes into effect if working with a dust extractor. A directed jet of air ensues that chips do not obscure the scribe mark.

Adjusting the sawblade guide

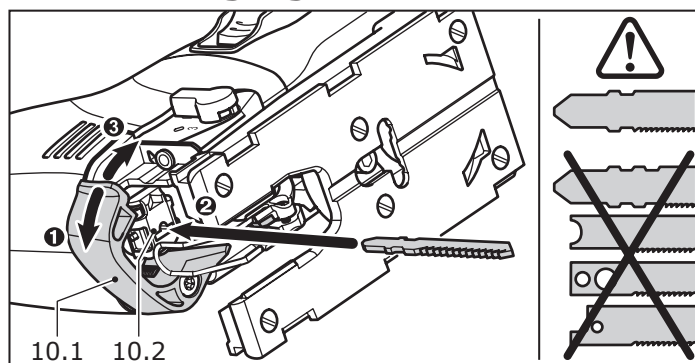


These pendulum jigsaws have an additional carbide guide [9.3] immediately above the workpiece for better blade guidance.

- Turn off and unplug tool.
- Tighten the screw [9.2] with the Allen key [9.1] until the jaws almost rest against the sawblade.

CAUTION The sawblade must still move easily!

Changing the sawblade



- Turn off and unplug tool.
- Open chuck lever [10.1] up to the stop.
- Remove sawblade.
- Insert new sawblade all the way to the stop in the sawblade holder [10.2].
- Close chuck lever.

Working with the tool

WARNING With the tool switched off and unplugged, check for tight fit of the sawblade before starting work.

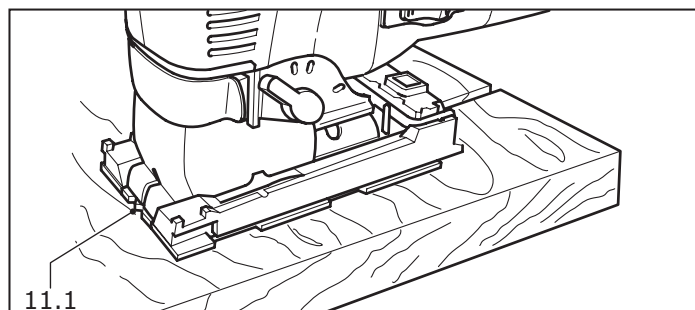
WARNING Always apply the pendulum jigsaw to the workpiece with the sawblade running.

Metalworking

WARNING Take the following safety precautions when cutting metals:

- Connect a residual current operated device in series before the tool.
- Connect tool to a suitable dust extractor.
- Clean tool regularly of dust accumulations in the motor housing.
- Wear protective goggles.

Free hand according to the scribe mark

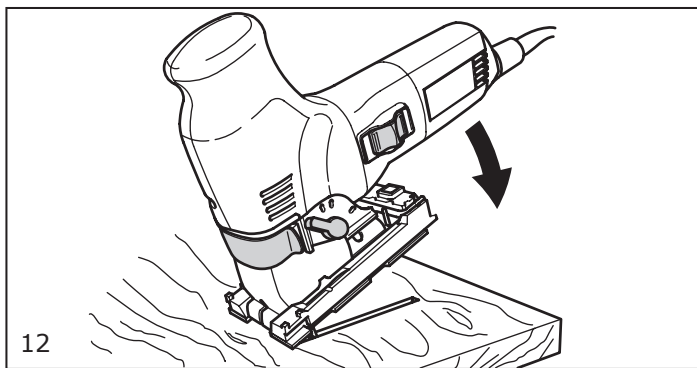


The point at the leading edge of the splinterguard [11.1] points to the blade cut line, making it easier to cut to a scribe mark.

Plunge cutting without pilot drilling

The base runner must be in the front position for plunge cuts in wood materials (basic setting).

Place the saw on the front edge of the runner. Set saw to maximum stroke rate and pendulum stroke setting 3, and start the plunge cut into the workpiece [illustration 12].



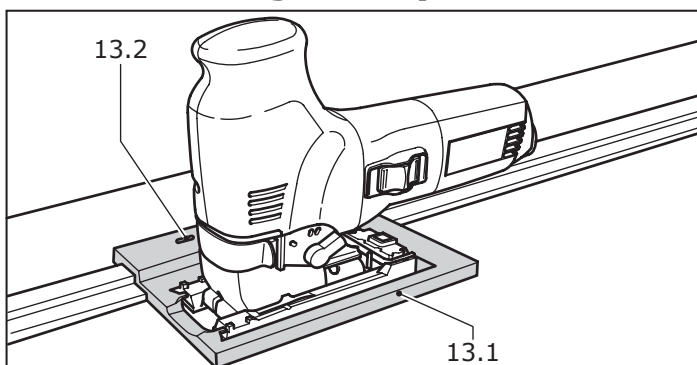
Accessories, tools

⚠ WARNING For safety reasons, only use original Festool accessories and tools!

Festool offers sawblades which are ideally matched to your Festool jigsaw and application, to ensure quick and clean cuts in a variety of materials.

The accessory and tool order number can be found in the Festool catalogue or on the Internet under www.festool-usa.com.

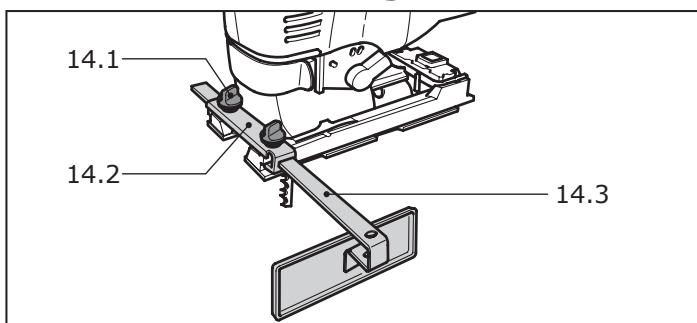
Festool guide system FS



The use of the Festool guide system FS facilitates the production of straight and precise cuts, particularly with material thicknesses up to 20 mm (1/4"). To do this, the jigsaw is placed in a guide stop [13.1] (490031) and guided along the guide rail.

The guide stop has two adjustable limit stops [13.2] for a setting free from play.

Parallel guide

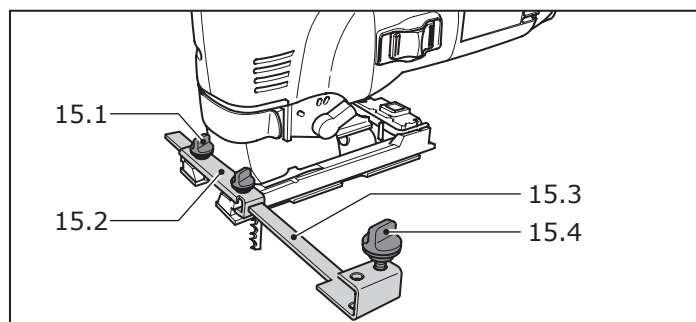


Use the parallel guide (486719) to guide the jigsaw parallel to the workpiece edge.

The parallel guide can be fitted on both sides of the base runner:

- Turn off and unplug tool.
- Slide clamping clip [14.2] onto the base runner from the front.
- Insert parallel guide [14.3] through the clamping clip from the side to the desired position.
- Tighten rotary knob [14.1].

Circle cutter



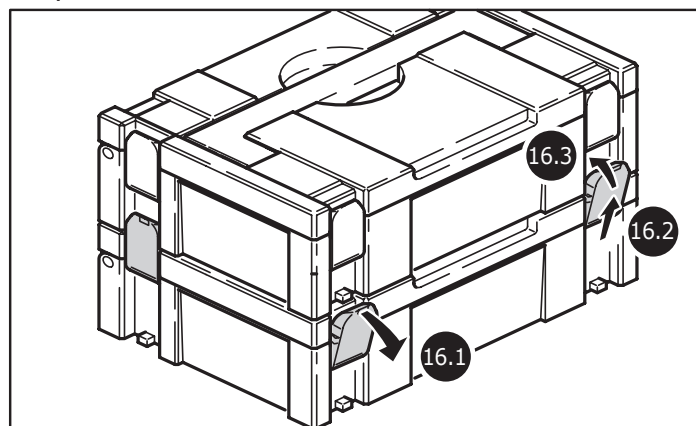
circular cuts with a diameter between 120 mm and 720 mm (4.7" - 28.3").

The circle cutter can be fitted to either side of the base runner:

- Turn off and unplug tool.
- Slide clamping clip [15.2] onto the base runner from the front.
- Insert circle cutter [15.3] through the clamping clip from the side to the desired position.
- Tighten rotary knob [15.1].
- Insert circle tip [15.4] in the rear bore hole of the circle cutter.

Systainer

Many Festool products are shipped in a unique system container, called "Systainer". This provides protection and storage for the tool and accessories. The Systainers are stackable and can be interlocked together. They also can be interlocked atop Festool CT dust extractors.



- Place one systainer on top of the other.
- Release all four latches on the lower systainer by pulling back at their top edges [16.1].

- Slide all four latches upward [16.2].
- Snap all four latches back to their flat position [16.3] so they engage the stacking tabs of the upper systainer.

Maintenance and care

⚠ WARNING Any maintenance or repair work requiring the motor housing to be opened may only be carried out by an authorized service workshop. Maintenance or repair work carried out by an unauthorized person can lead to the wrong connection of the power leads or other components, which in turn can lead to accidents with serious consequences.

⚠ WARNING Always remove the plug from the mains supply socket before carrying out any work on the machine!

Always keep the machine and the ventilation slots clean.

Warranty

Conditions of 1+2 Warranty

You are entitled to a free extended warranty (1 year + 2 years = 3 years) for your Festool power tool. Festool shall be responsible for all shipping costs during the first year of the warranty. During the second and third year of the warranty the customer is responsible for shipping the tool to Festool. Festool will pay for return shipping to the customer using UPS Ground Service. All warranty service is valid 3 years from the date of purchase on your receipt or invoice.

Festool Limited Warranty

This warranty is valid only on condition that the tool is used and operated in compliance with the Festool operating instructions. Festool warrants, only to the original consumer purchaser, that the specified tool will be free from defects in materials and workmanship for a term of one year from the date of procurement. Festool makes no other warranty, express or implied, for Festool portable power tools. No agent, representative, distributor,

dealer or employee of Festool has the authority to increase or otherwise change the obligations or limitations of this warranty. The obligations of Festool in its sole discretion under this warranty shall be limited to the repair or replacement of any Festool portable power tool that is found to be defective as packaged with the User Manual.

Excluded from coverage under this warranty are: normal wear and tear; damages caused by misuse, abuse or neglect; damage caused by anything other than defects in material and workmanship. This warranty does not apply to accessory items such as circular saw blades, drill bits, router bits, jigsaw blades, sanding belts, and grinding wheels. Also excluded are "wearing parts", such as carbon brushes, vanes of air tools, rubber collars and seals, sanding discs and pads, and batteries.

Festool portable power tools requiring replacement or repair are to be returned with the receipt of purchase to Festool (call 800-554-8741 for address details).

IN NO EVENT SHALL FESTOOL BE LIABLE FOR ANY CONSEQUENTIAL OR INCIDENTAL DAMAGES FOR BREACH OF THIS OR ANY OTHER WARRANTY, EXPRESSED OR IMPLIED WHATSOEVER. ALL WARRANTIES IMPLIED BY STATE LAW, INCLUDING THE IMPLIED WARRANTIES OF MERCHANTABILITY AND FITNESS FOR A PARTICULAR PURPOSE, ARE HEREBY LIMITED TO THE DURATION OF THREE YEARS.

Some states in the U.S. and some Canadian provinces do not allow the limitations on how long an implied warranty lasts, so the above limitation may not apply to you. With the exception of any warranties implied by state or province law as hereby limited, the foregoing express limited warranty is exclusive and in lieu of all other warranties, guarantees, agreements and similar obligations of Festool.

This warranty gives you specific legal rights and you may also have other rights which vary from state to state in the U.S. and province to province in Canada.

Table des matières

Règles de sécurité	9
Caractéristiques techniques	11
Symbole	11
Description fonctionnelle	11
Utilisation conforme	11
Raccordement électrique et mise en service	11
Câble de rallonge	12
Réglages de l'outil	12
Réglage électronique	12
Mouvement pendulaire	12
Réglage de la table de sciage	12
Installation du pare-éclats	13
Installation de la protection anti-projection de copeaux	13
Aspiration des copeaux	13
Réglage du guidage de lame	13
Remplacement de la lame	14
Utilisation de l'outil	14
Traitement des métaux	14
Sans guidage selon le tracé	14
Plongée sans perçage préalable	14
Accessoires, outils	14
Système de guidage Festool FS	14
Butée parallèle	15
Outil de coupe circulaire	15
Systainer	15
Autres accessoires et lames	15
Entretien et maintenance	15
Garantie	16

Règles de sécurité

⚠️ AVERTISSEMENT Assurez-vous de lire et de bien comprendre toutes les instructions. Le non-respect, même partiel, des instructions ci-dessous peut entraîner un risque de choc électrique, d'incendie et/ou de blessures graves.

CONSERVEZ CES INSTRUCTIONS

Règles de sécurité générales

1) Sécurité de aire de travail

a) Maintenez l'endroit de travail propre et bien éclairé. Un lieu de travail en désordre ou mal éclairé augmente le risque d'accidents.

b) N'utilisez pas l'appareil dans un environnement présentant des risques d'explosion et où se trouvent des liquides, des gaz ou poussières inflammables. Les outils

électroportatifs génèrent des étincelles risquant d'enflammer les poussières ou les vapeurs.

c) Tenez les enfants et autres personnes éloignés durant l'utilisation de l'outil électroportatif. En cas d'inattention vous risquez de perdre le contrôle sur l'appareil.

2) Sécurité électrique

a) La fiche de secteur de l'outil électroportatif doit être appropriée à la prise de courant. Ne modifiez en aucun cas la fiche. N'utilisez pas de fiches d'adaptateur avec des appareils avec mise à la terre. Les fiches non modifiées et les prises de courant appropriées réduisent le risque de choc électrique.

b) Evitez le contact physique avec des surfaces mises à la terre tels que tuyaux, radiateurs, fours et réfrigérateurs. Il y a un risque élevé de choc électrique au cas où votre corps serait relié à la terre.

c) N'exposez pas l'outil électroportatif à la pluie ou à l'humidité. La pénétration d'eau dans un outil électroportatif augmente le risque d'un choc électrique.

d) N'utilisez pas le câble à d'autres fins que celles prévues, n'utilisez pas le câble pour porter l'appareil ou pour l'accrocher ou encore pour le débrancher de la prise de courant. Maintenez le câble éloigné des sources de chaleur, des parties grasses, des bords tranchants ou des parties de l'appareil en rotation. Un câble endommagé ou torsadé augmente le risque d'un choc électrique.

e) Au cas où vous utiliseriez l'outil électroportatif à l'extérieur, utilisez une rallonge autorisée homologuée pour les applications extérieures. L'utilisation d'une rallonge électrique homologuée pour les applications extérieures réduit le risque d'un choc électrique.

f) Ne tenez l'outil qu'à l'aide des poignées isolées, lorsque vous êtes susceptibles de toucher des lignes électriques cachées ou votre propre câble électrique, lorsque vous travaillez avec des outils de tronçonnage. Si des outils de tronçonnage touchent des lignes électriques, des pièces métalliques de l'outil peuvent être mises sous tension et asséner une décharge électrique à l'utilisateur.

3) Sécurité des personnes

a) Restez vigilant, surveillez ce que vous faites. Faites preuve de bon en utilisant l'outil électroportatif. N'utilisez pas l'appareil lorsque vous êtes fatigué ou après avoir consommé de l'alcool, des drogues ou avoir pris des médicaments. Un moment d'inattention

lors de l'utilisation de l'appareil peut entraîner de graves blessures sur les personnes.

b) Portez des équipements de protection.

Portez toujours des lunettes de protection.

Le fait de porter des équipements de protection personnels tels que masque anti-poussières, chaussures de sécurité antidérapantes, casque de protection ou protection acoustique suivant le travail à effectuer, réduit le risque de blessures.

c) Évitez une mise en service par mégarde.

Assurez-vous que l'interrupteur est effectivement en position d'arrêt avant de retirer la fiche de la prise de courant.

Le fait de porter l'appareil avec le doigt sur l'interrupteur ou de brancher l'appareil sur la source de courant lorsque l'interrupteur est en position de fonctionnement, peut entraîner des accidents.

d) Enlevez tout outil de réglage ou toute clé avant de mettre l'appareil en fonctionnement.

Une clé ou un outil se trouvant sur une partie en rotation peut causer des blessures.

e) Ne surestimez pas vos capacités. Veillez à garder toujours une position stable et équilibrée.

Ceci vous permet de mieux contrôler l'appareil dans des situations inattendues.

f) Portez des vêtements appropriés. Ne portez pas de vêtements amples ni de bijoux.

Maintenez cheveux, vêtements et gants éloignés des parties de l'appareil en rotation.

Des vêtements amples, des bijoux ou des cheveux longs peuvent être happés par des pièces en mouvement.

g) Si des dispositifs servant à aspirer ou à recueillir les poussières doivent être utilisés, vérifiez que ceux-ci soient effectivement raccordés et qu'ils sont correctement utilisés.

L'utilisation de tels dispositifs réduit les dangers dus aux poussières.

4) Utilisation et entretien des outils

a) Ne surchargez pas l'appareil. Utilisez l'outil électroportatif approprié au travail à effectuer.

Avec l'outil électroportatif approprié, vous travaillerez mieux et avec plus de sécurité à la vitesse pour laquelle il est prévu.

b) N'utilisez pas un outil électroportatif dont l'interrupteur est défectueux.

Un outil électroportatif qui ne peut plus être mis en ou hors fonctionnement est dangereux et doit être réparé.

c) Retirez la fiche de la prise de courant avant d'effectuer des réglages sur l'appareil, de changer les accessoires, ou de ranger l'appareil.

Cette mesure de précaution empêche une mise en fonctionnement par mégarde.

d) Gardez les outils électroportatifs non utilisés hors de portée des enfants. Ne permettez

pas l'utilisation de l'appareil à des personnes qui ne se sont pas familiarisées avec celui-ci ou qui n'ont pas lu ces instructions.

Les outils électroportatifs sont dangereux lorsqu'ils sont utilisés par des personnes non initiées.

e) Prenez soin des outils électroportatifs. Vérifiez que les parties en mouvement fonctionnent correctement et qu'elles ne soient pas coincées, et contrôlez si des parties sont cassées ou endommagées de telle sorte que le bon fonctionnement de l'appareil s'en trouve entravé. Faites réparer les parties endommagées avant d'utiliser l'appareil.

De nombreux accidents sont dus à des outils électroportatifs mal entretenus.

f) Maintenez les outils de coupe aiguisés et propres.

Des outils soigneusement entretenus avec des bords tranchants bien aiguisés se coincent moins souvent et peuvent être guidés plus facilement.

g) Utilisez les outils électroportatifs, les accessoires, les outils à monter etc. conformément à ces instructions et aux prescriptions en vigueur pour ce type d'appareil. Tenez compte également des conditions de travail et du travail à effectuer.

L'utilisation des outils électroportatifs à d'autres fins que celles prévues peut entraîner des situations dangereuses.

5) Entretien et réparation

a) Ne faites réparer votre outil électroportatif que par un personnel qualifié et seulement avec des pièces de rechange d'origine.

Ceci permet d'assurer la sécurité de l'appareil.

Règle de sécurité particulière pour les scies alternatives

a) Tenez l'outil par ses surfaces de prise isolées pendant toute opération où l'outil de coupe pourrait venir en contact avec un câble dissimulé ou avec son propre cordon.

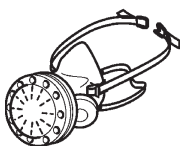
En cas de contact avec un conducteur sous tension, les pièces métalliques à découvert de l'outil transmettraient un choc électrique à l'utilisateur.

⚠️ AVERTISSEMENT POUR RÉDUIRE LE RISQUE DE DOMMAGES, L'UTILISATEUR DOIT LIRE ET COMPRENDRE LE MANUEL D'INSTRUCTION.

⚠️ AVERTISSEMENT Certaines poussières créées par le ponçage mécanique, le sciage, le meulage, le perçage et autres activités reliées à la construction contiennent des substances chimiques connues (dans l'État de la Californie) comme pouvant causer le cancer, des anomalies congénitales ou représenter d'autres dangers pour la reproduction. Voici quelques exemples de telles substances:

- plomb provenant de peintures à base de plomb,
- silice cristallisée utilisée dans les briques, le ciment et autres matériaux de maçonnerie, et
- arsenic et chrome du bois d'œuvre traité avec un produit chimique.

Le risque d'exposition à de tels produits varie selon la fréquence à laquelle vous faites ce genre de travail.



Pour réduire les risques d'exposition à ces substances chimiques : travaillez dans un endroit adéquatement ventilé et utilisez un équipement de sécurité approuvé, tel que masques antipoussières spécialement conçus pour filtrer les particules microscopiques.

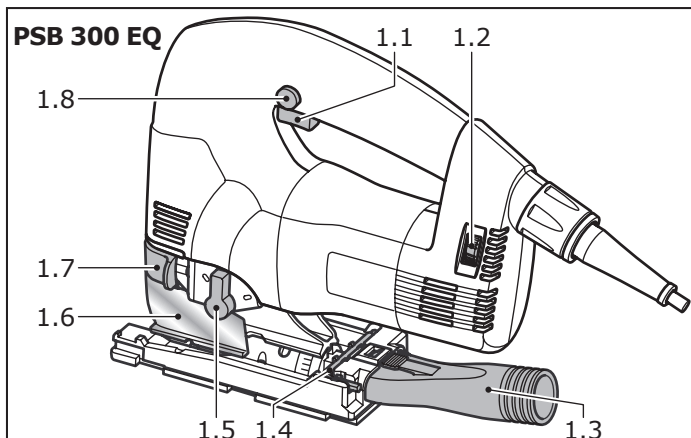
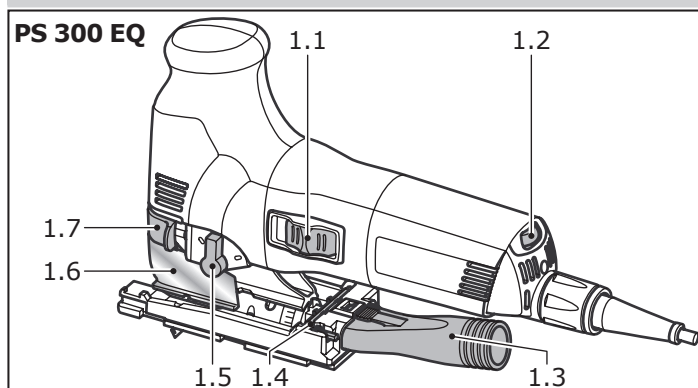
Caractéristiques techniques

Puissance absorbée:	720 W
Vitesse à vide:	1 000 - 2 900 cps/min
Longueur de course:	26 mm (1.02 in.)
Mouvement pendulaire:	3 niveaux
Réglage d'inclinaison:	45° sur les deux côtés
Profondeur de coupe (en fonction de la lame)	
• bois:	120 mm (4.7 in.)
• aluminium:	20 mm (0.8 in.)
• acier:	10 mm (0.4 in.)
Poids:	2.4 kg (5.2 lbs)
Sécurité:	☐ / II

Symbole

V	Volt
A	Ampère
Hz	Hertz
W	Watt
~	Tension alternative
n_0	Vitesse de rotation à vide
☐	Classe II conception
spm	Coupes par minute

Description fonctionnelle



- 1.1 Interrupteur marche/arrêt
- 1.2 Régulateur de vitesse de rotation
- 1.3 Manchon d'aspiration
- 1.4 Clé Allen
- 1.5 Commutateur de mouvement pendulaire
- 1.6 Protection anti-projection des copeaux
- 1.7 Levier de serrage
- 1.8 Bouton de blocage (seulement PSB 300 EQ)

Utilisation conforme

Les scies sauteuses pendulaires sont prévues, dans le cadre d'une utilisation conforme, pour scier le bois et d'autres matériaux semblables. Des lames spéciales, telles qu'elles sont conseillées dans les documents de vente Festool pour les différents matériaux, peuvent être utilisées pour travailler les matériaux synthétiques, l'acier, l'aluminium, les métaux non ferreux et les tuiles de céramique.

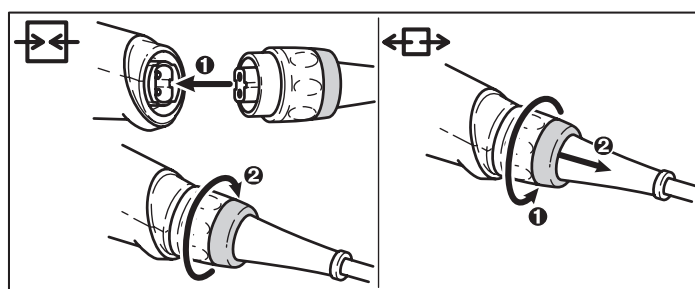
⚠ AVERTISSEMENT L'utilisateur est tenu responsable de tout dommage et accident en cas d'utilisation non conforme.

Raccordement électrique et mise en service

La tension du réseau doit correspondre à la tension indiquée sur la plaque signalétique !

Voir la connexion et la déconnexion du câble de raccordement secteur sur la figure ci-dessous.

⚠ AVERTISSEMENT Avant de brancher ou de débrancher le câble de raccordement secteur, il est absolument indispensable de toujours éteindre la machine !



La **PS 300 EQ** possède un commutateur Arrêt/marche à coulisse **[1.1]** (I = MARCHE, 0 = ARRÊT).

La **PSB 300 EQ** possède un commutateur Arrêt/marche à poussoir **[1.1]**. Il peut être verrouillé avec le bouton de blocage **[1.8]** pour une utilisation en régime continu. Il suffit de réappuyer sur le commutateur à poussoir pour déverrouiller le blocage.

Câble de rallonge

Si une rallonge électrique est nécessaire, elle doit présenter une section suffisante afin d'éviter une chute de tension excessive ou une surchauffe. Une chute de tension excessive réduit la puissance et peut entraîner une défaillance du moteur. Le tableau suivant vous présente la section correcte du câble en fonction de sa longueur pour la norme PS/PSB 300 EQ.

Longueur totale rallonge (pieds)	25	50	100	150
Section du câble (AWG)	18	16	12	10

Utilisez exclusivement des rallonges recommandées par U.L. et CSA. N'utilisez jamais deux rallonges branchées l'une après l'autre. Remplacez-les par une rallonge plus longue.

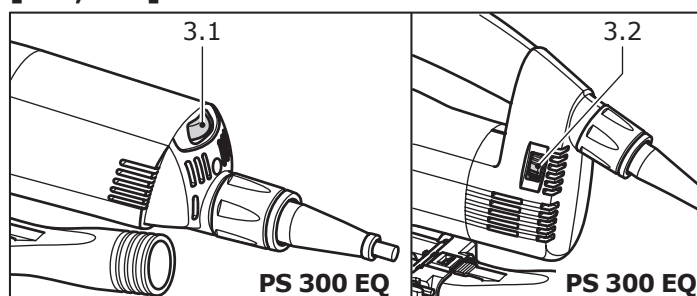
Remarque : Plus le numéro A.W.G. est petit, plus le câble est gros.

Réglages de l'outil

AVERTISSEMENT Débranchez toujours la fiche de la source de courant avant d'entreprendre quelque réglage que ce soit sur l'outil ou avant de monter/démonter un accessoire !

Réglage électronique

La PS 300 EQ et la PSB 300 EQ possèdent un système électronique de régulation permettant de régler en continu le régime entre 1000 et 2900 coupes/minute. Le régime souhaité se règle au moyen de la régulateur de vitesse de rotation **[3.1, 3.2]**.

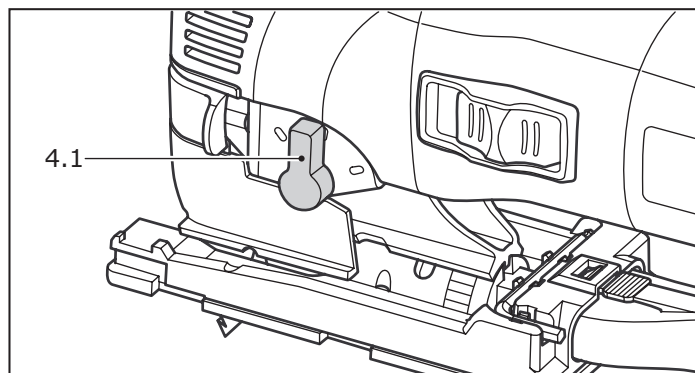


Régime conseillé (pos. de la régulateur de vitesse de rotation) :

Bois dur et bois tendre, lamellé collé:	6
Contreplaqué, panneaux d'aggloméré:	6
Panneaux de fibres:	4-6

Matériaux synthétiques:	3-6
Céramique:	3-5
Métaux NF:	3-5
Acier:	2-4

Mouvement pendulaire

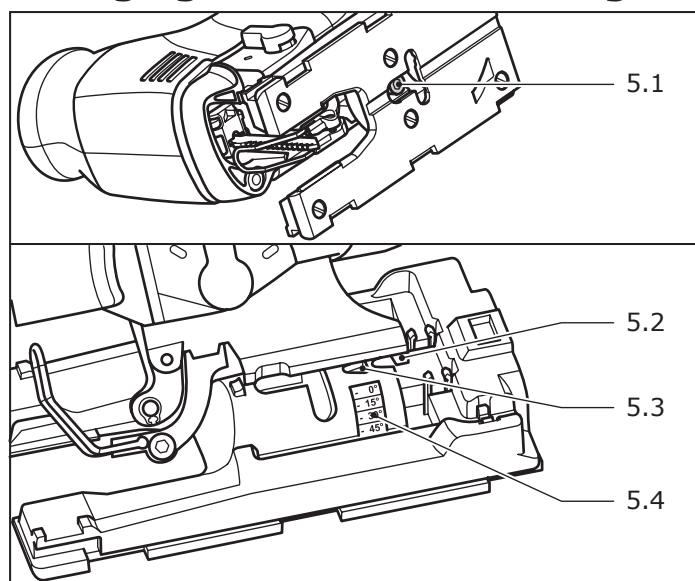


Pour pouvoir traiter différents matériaux avec un avancement optimal, les scies sauteuses pendulaires ont un mouvement pendulaire réglable. Le commutateur de mouvement pendulaire **[4.1]** permet de choisir la position qui convient :
position 0 = mouvement pendulaire désactivé
position 3 = mouvement pendulaire maximum

Réglages conseillés du mouvement pendulaire:

Bois dur et bois tendre:	1-3
Lamellé collé, contreplaqué:	1-2
Panneaux d'aggloméré, panneaux de fibres:	1-3
Matériaux synthétiques:	1-2
Céramique:	0
Aluminium, métaux non ferreux:	0-2
Acier:	0-1

Réglage de la table de sciage



La table de sciage peut être pivotée jusqu'à 45° sur les deux côtés pour effectuer des coupes en biais :

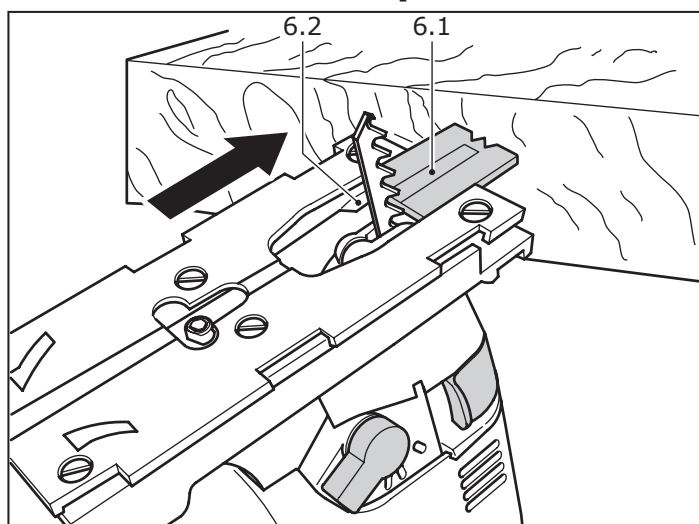
- Éteignez et débranchez l'outil.

- Enlevez la protection anti-projection et le pare-éclats.
- Desserrez la vis de blocage **[5.1]** à l'aide de la clé Allen.
- Faites glisser la table de sciage d'environ 5 mm (1/5") vers l'avant.
- Réglez l'inclinaison souhaitée à l'aide de l'échelle **[5.4]**.
- Resserrez la vis de blocage **[5.1]**.

La table de sciage peut être déplacée vers l'arrière pour permettre de scier près des bords :

- Éteignez et débranchez l'outil.
- Enlevez la protection anti-projection et le pare-éclats.
- Desserrez la vis de blocage **[5.1]** à l'aide de la clé Allen.
- Faites glisser la table de sciage en position arrière, de telle façon que le mandrin de serrage **[5.2]** rentre dans l'ouverture **[5.3]**.
- Resserrez la vis de blocage **[5.1]**.

Installation du pare-éclats

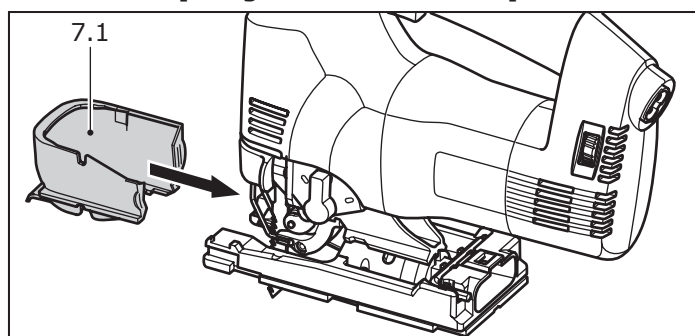


Le pare-éclats permet d'effectuer des coupes avec des rebords de coupe non déchirés, y compris du côté de sortie de la lame.

- La machine éteinte, glissez le pare-éclats **[6.1]** sur le guidage **[6.2]** jusqu'à la lame.
- Mettez la scie sauteuse en marche, et pendant qu'elle fonctionne, repoussez le pare-éclats sur une surface plane tout en sciant jusqu'à ce que le pare-éclats affleure avec le bord avant de la table de sciage.

Remarque : Pour que le pare-éclats fonctionne de façon fiable, il doit entourer les deux côtés de la lame de façon étanche. Il est donc conseillé, pour avoir une coupe sans déchirures, de mettre un nouveau pare-éclats à chaque remplacement de lame.

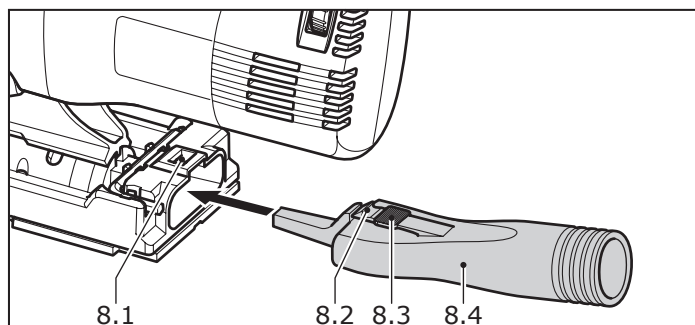
Installation de la protection anti-projection de copeaux



La protection anti-projection des copeaux empêche les copeaux d'être éjectés et augmente l'efficacité du système d'aspiration.

- Éteignez et débranchez l'outil.
- Insérez la protection anti-projection des copeaux **[7.1]** entre la table de sciage et le levier de serrage et poussez-la vers l'arrière en exerçant une légère pression, jusqu'à ce qu'elle s'enclenche.

Aspiration des copeaux

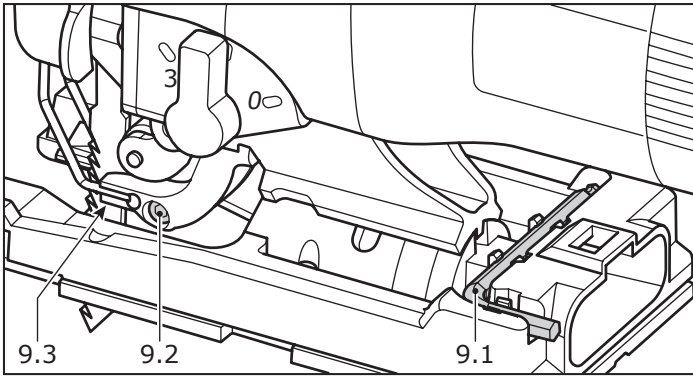


Grâce à l'adaptateur d'aspiration **[8.4]**, il est possible de raccorder les scies sauteuses à un aspirateur (diamètre du flexible 27 mm / 1.06").

- Éteignez et débranchez l'outil.
- Enfichez l'adaptateur d'aspiration dans l'ouverture arrière de la table de sciage de telle façon que le crochet **[8.2]** s'enclenche dans l'échancrure **[8.1]**.
- Après avoir appuyé sur le levier **[8.3]**, l'adaptateur d'aspiration s'enlève à nouveau. Si vous travaillez sans aspiration, la scie utilise le dispositif de décharge intégré. Un jet d'air dirigé de façon adéquate fait en sorte que les copeaux ne recouvrent pas la ligne de découpe.

Réglage du guidage de lame

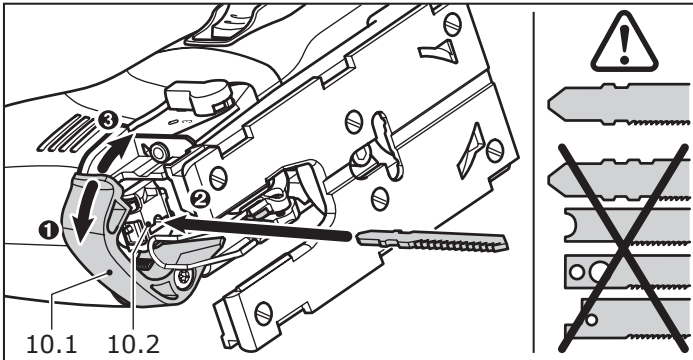
Les scies sauteuses pendulaires possèdent un système de guidage en métal dur **[9.3]** placé juste au-dessus de la pièce à scier afin d'améliorer le guidage de la lame.



- Éteignez et débranchez l'outil.
- Utiliser la clé Allen [9.2] pour serrer la vis [9.1] jusqu'à ce que les mâchoires touchent presque la lame.

⚠ MISE EN GARDE La lame doit pouvoir se déplacer sans problème !

Remplacement de la lame



- Éteignez et débranchez l'outil.
- Ouvrez le levier de serrage [10.1] jusqu'à la butée.
- Retirez la lame.
- Enfoncez la nouvelle lame dans le logement jusqu'à la butée [10.2].
- Refermez le levier de serrage.

Utilisation de l'outil

⚠ AVERTISSEMENT Vérifiez que la lame est bien fixée avant de mettre la scie en marche.

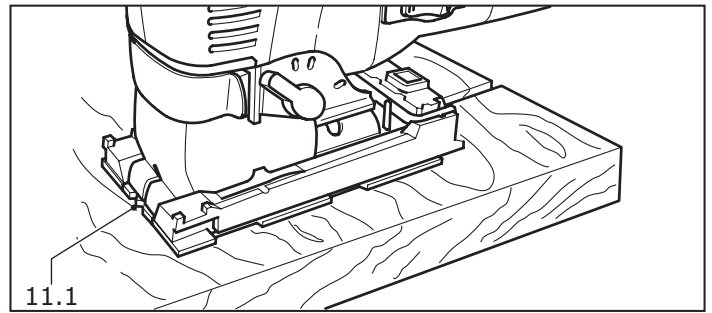
⚠ AVERTISSEMENT Il faut toujours approcher la scie de la pièce à scier avec la lame en marche.

Traitement des métaux

⚠ AVERTISSEMENT Lors du traitement des métaux, il est indispensable de respecter les mesures suivantes afin de travailler en toute sécurité :

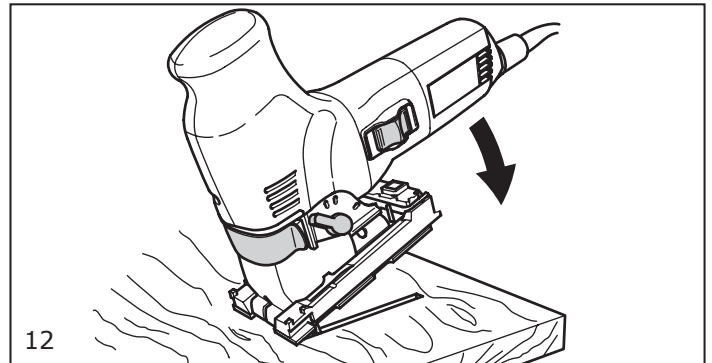
- Un interrupteur de sécurité doit être monté en amont.
- La machine doit être raccordée à un capteur de poussière adéquat.
- La machine doit régulièrement être nettoyée pour éliminer les dépôts de poussières accumulées dans le corps du moteur.
- Portez des lunettes de protection.

Sans guidage selon le tracé



De par sa forme triangulaire, le pare-éclats [11.1] indique la ligne de coupe de la lame. Il facilite ainsi le sciage selon le tracé.

Plongée sans perçage préalable



Pour les coupes en plongée dans les matériaux à base de bois, la table de sciage doit se trouver en position avant (position de base).

Placez la scie sur le rebord avant de la table. Plongez la scie dans la pièce à régime maximum, en position de mouvement pendulaire n° 3 [figure 12].

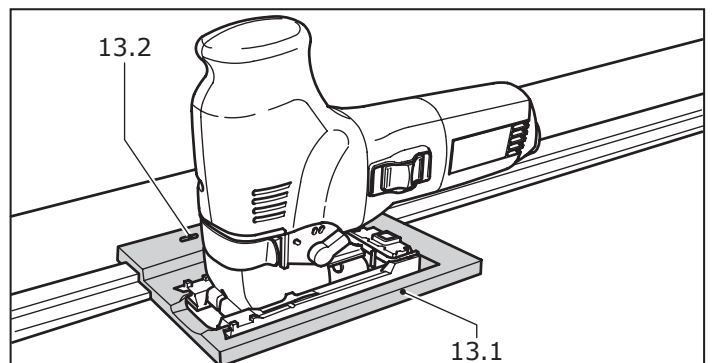
Accessoires, outils

⚠ AVERTISSEMENT Pour des raisons de sécurité, il faut utiliser exclusivement des accessoires et outils d'origine Festool!

Festool vous propose toute une gamme de lames adaptées spécialement à votre scie sauteuse pour toutes les applications.

Les références des accessoires et outils figurent dans le catalogue Festool ou sur Internet sous www.festool-usa.com.

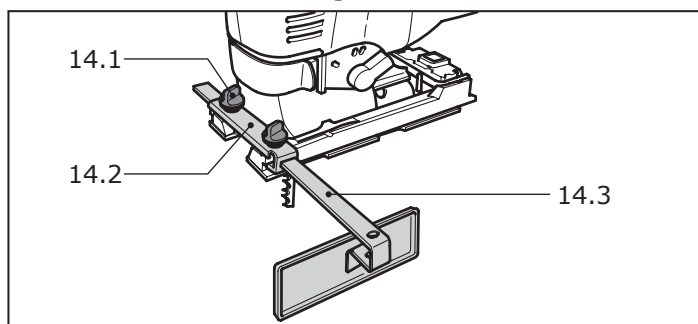
Système de guidage Festool FS



L'utilisation du système de guidage Festool FS vous facilite la réalisation de coupes droites et précises, notamment pour des épaisseurs de matériau allant jusqu'à 20 mm (3/4"). Pour ce faire, insérez la scie sauteuse dans la butée de guidage [13.1] (490031) et faites avancer le rail de guidage le long de la butée.

Deux mâchoires de guidage réglables [13.2] se trouvent dans la butée de guidage pour assurer un réglage parfait.

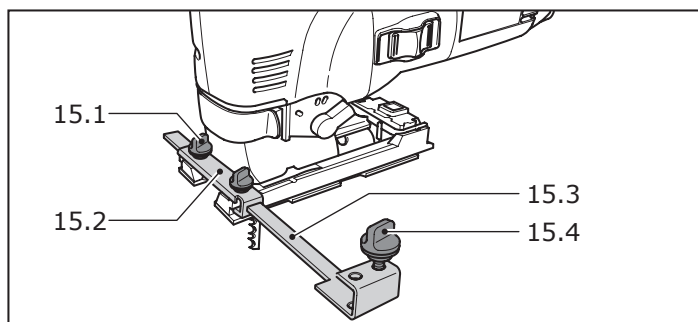
Butée parallèle



La butée parallèle (486719) permet de guider la scie sauteuse parallèlement au bord de la pièce. Elle peut être montée des deux côtés de la table de sciage :

- Éteignez et débranchez l'outil.
- Enfichez l'arceau de serrage [14.2] par l'avant sur la table de sciage.
- Insérez la butée parallèle [14.3] par le côté à travers l'arceau de serrage jusqu'à la position souhaitée.
- Serrez le bouton tournant [14.1].

Outil de coupe circulaire



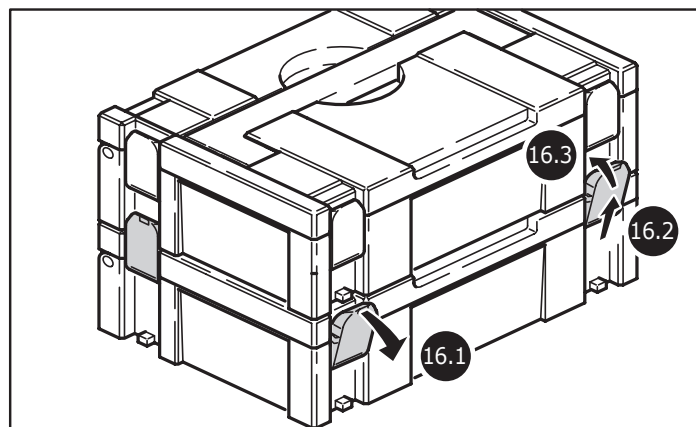
L'outil de coupe circulaire (490032) permet de faire des coupes circulaires d'un diamètre allant de 120 mm à 720 mm (4.7" - 28.3").

Il peut être monté des deux côtés de la table de sciage :

- Éteignez et débranchez l'outil.
- Enfichez l'arceau de serrage [15.2] par l'avant sur la table de sciage.
- Insérez l'outil de coupe circulaire [15.3] par le côté à travers l'arceau de serrage jusqu'à la position souhaitée.
- Serrez le bouton tournant [15.1].

- Enfichez la pointe de compas [15.4] dans l'ouverture arrière de l'outil de coupe circulaire.

Systainer



De nombreux produits Festool sont fournis dans une caisse exclusive, appelée "Systainer". Celle-ci permet de protéger et de ranger des outils et des appareils complémentaires. Les Systainer sont empilables et peuvent être solidarifiés. En outre, il se fixent sur les aspirateurs CT Festool.

- Poser deux Systainer l'un sur l'autre,
- défaire les quatre éléments de verrouillage du Systainer inférieur en les tirant en arrière par leur bord supérieur [16.1].
- pousser les quatre éléments de verrouillage vers le haut [16.2]
- manoeuvrer les quatre éléments de verrouillage [16.3] de sorte qu'ils s'enclenchent au niveau des éléments récepteurs du Systainer supérieur.

Entretien et maintenance

⚠️ AVERTISSEMENT Tout travail d'entretien ou de réparation nécessitant une ouverture du moteur ne doit être effectué que par le personnel d'un atelier autorisé du service après-vente. La maintenance ou la réparation de la machine par des personnes non autorisées peut entraîner un branchement incorrect des câbles électriques ou autres composants, et provoquer des accidents avec blessures graves.

⚠️ AVERTISSEMENT Avant toute intervention sur la machine, il faut retirer la fiche de la prise de courant !

La machine et ses orifices de refroidissement doivent toujours rester propres.

Garantie

Conditions de la garantie (1+2 ans)

Vous avez droit à une prolongation de garantie gratuite (1 an + 2 ans = 3 ans) sur votre outil électrique Festool. Festool assumera tous les coûts d'expédition pendant la première année de

la garantie alors que les deuxième et troisième années, les coûts devront être assumés par le client. Festool paiera les frais de retour de l'outil au client par service de livraison terrestre UPS. La garantie est valable pour une période de 3 ans à compter de la date d'achat indiquée sur votre reçu ou votre facture.

Garantie limitée de Festool

Cette garantie est valable à condition que l'outil soit utilisé conformément aux instructions de Festool. Festool garantit, à l'acheteur initial seulement, que l'outil indiqué sera exempt de tout défaut de matériau et de fabrication pendant un an à compter de la date d'achat. Festool ne donne aucune garantie supplémentaire, implicite ou explicite, sur les instruments portables électriques Festool. Aucun agent, représentant commercial, distributeur, vendeur ou employé de Festool n'est autorisé à prolonger ou à modifier les obligations ou restrictions de la présente garantie. Les obligations de Festool sont, à son entière discrétion, limitées à la réparation ou à l'échange des outils portables électriques Festool trouvés défectueux dans le présent emballage, tels que fournis avec le présent Guide d'utilisation.

Cette garantie exclut l'usure normale, les dommages causés par un usage impropre, les abus ou la négligence, ou tout dommage autre que ceux attribuables à des défauts de matériau et de fabrication. Cette garantie ne s'applique pas aux accessoires tels que lames de scie circulaire,

mèches de perceuse et vilebrequin, lames de scie sauteuse, bandes abrasives et meules. Sont également exclues les pièces d'usure, telles que balais de charbon, lamelles pour outils à air comprimé, joints et manchons de caoutchouc, disques et patins ponceurs, ainsi que les piles.

Les outils électriques portables Festool à remplacer ou à réparer doivent être retournés avec le reçu d'achat à Festool (appelez au 800-554-8741 pour connaître l'adresse d'expédition).

FESTOOL N'EST EN AUCUN CAS RESPONSABLE DES DOMMAGES DIRECTS OU INDIRECTS, IMPLICITES OU EXPLICITES, DÉCOULANT DE LA RUPTURE DE CETTE GARANTIE OU DE TOUTE AUTRE GARANTIE. TOUTES LES GARANTIES IMPLICITES, Y COMPRIS LES GARANTIES IMPLICITES DE QUALITÉ MARCHANDE ET D'ADÉQUATION À UN USAGE PARTICULIER, SONT LIMITÉES À UNE PÉRIODE DE TROIS ANS.

Certains états américains et certaines provinces canadiennes ne permettent pas la limitation des garanties implicites; il se pourrait donc que les limites indiquées ci-dessus ne s'appliquent pas dans votre cas. À l'exception de certaines garanties implicites des provinces ou des états indiqués ici, la présente garantie est exclusive et remplace toute autre garantie, convention et obligation similaire de Festool.

Cette garantie vous confère des droits légaux spécifiques, et vous pouvez aussi avoir d'autres droits pouvant varier d'un état à l'autre, ou d'une province à l'autre au Canada.

Contenido	
Normas de seguridad	17
Datos técnicos	19
Símbolos	19
Descripción del funcionamiento	19
Use para los propósitos intencionados	19
Conexión eléctrica y operación	19
Cable de extensión	20
Ajustes en la máquina	20
Regulación electrónica	20
Carrera pendular	20
Ajustes de la mesa de serrar	20
Instalación de la protección contra astillas	21
Instalación de la protección contra la proyección de virutas	21
Extractor de virutas	21
Ajuste de la guía de la cuchilla de la sierra	22
Cambio de la cuchilla de la sierra	22
Trabajo con la herramienta	22
Trabajo de metal	22
Conducción libre siguiendo la marca	22
Serrado con penetración vertical sin perforación previa	22
Accesorios y herramientas	22
Sistema de guía FS de Festool	23
Guía paralela	23
Cortador circular	23
Systainer	23
Accesorios varios, cuchillas de sierra	23

Normas de seguridad

⚠️ ADVERTENCIA Lea y entienda todas las instrucciones. El incumplimiento con las instrucciones aquí referidas puede resultar en una descarga eléctrica, fuego y/o lesiones personales serias.

CONSERVE ESTAS INSTRUCCIONES

Normas generales de seguridad

1) Seguridad del espacio de trabajo

a) Mantenga limpio y bien iluminado su puesto de trabajo. El desorden y una iluminación deficiente en las áreas de trabajo pueden provocar accidentes.

b) No utilice la herramienta eléctrica en un entorno con peligro de explosión, en el que se encuentren combustibles líquidos, gases o material en polvo. Las herramientas eléctricas producen chispas que pueden llegar a inflamar los materiales en polvo o vapores.

c) Mantenga alejados a los niños y otras personas de su puesto de trabajo al emplear la herramienta eléctrica. Una distracción le puede hacer perder el control sobre el aparato.

2) Seguridad eléctrica

a) El enchufe del aparato debe corresponder a la toma de corriente utilizada. No es admisible modificar el enchufe en forma alguna. No emplear adaptadores en aparatos dotados con una toma de tierra. Los enchufes sin modificar adecuados a las respectivas tomas de corriente reducen el riesgo de una descarga eléctrica.

b) Evite que su cuerpo toque partes conectadas a tierra como tuberías, radiadores, cocinas y refrigeradores. El riesgo a quedar expuesto a una sacudida eléctrica es mayor si su cuerpo tiene contacto con tierra.

c) No exponga las herramientas eléctricas a la lluvia y evite que penetren líquidos en su interior. Existe el peligro de recibir una descarga eléctrica si penetran ciertos líquidos en la herramienta eléctrica.

d) No utilice el cable de red para transportar o colgar el aparato, ni tire de él para sacar el enchufe de la toma de corriente. Mantenga el cable de red alejado del calor, aceite, esquinas cortantes o piezas móviles. Los cables de red dañados o enredados pueden provocar una descarga eléctrica.

e) Al trabajar con la herramienta eléctrica en la intemperie utilice solamente cables de prolongación homologados para su uso en exteriores. La utilización de un cable de prolongación adecuado para su uso en exteriores reduce el riesgo de una descarga eléctrica.

f) Sujete la máquina únicamente por las empuñaduras aisladas si durante los trabajos las herramientas para separar pueden entrar en contacto con conducciones eléctricas ocultas o incluso con el cable de la corriente. Cuando las herramientas para separar entran en contacto con conducciones eléctricas bajo tensión, las partes metálicas de la máquina pueden adquirir esta tensión y transmitir, de ese modo, una descarga eléctrica al usuario.

3) Seguridad personal

a) Esté atento a lo que hace y emplee la herramienta eléctrica con prudencia. No utilice la herramienta eléctrica si estuviese cansado, ni tampoco después de haber consumido alcohol, drogas o medicamentos. El no estar atento durante el uso de una herramienta eléctrica puede provocar serias lesiones.

b) Utilice un equipo de protección y en todo caso unas gafas de protección. El riesgo a lesionarse se reduce considerablemente si, dependiendo del tipo y la aplicación de la herramienta eléctrica empleada, se utiliza un equipo de protección adecuado como una mascarilla antipolvo, zapatos de seguridad con suela antideslizante, casco, o protectores auditivos.

c) Evite una puesta en marcha fortuita del aparato. Cerciorarse de que el aparato esté desconectado antes conectarlo a la toma de corriente. Si transporta el aparato sujetándolo por el interruptor de conexión/desconexión, o si introduce el enchufe en la toma de corriente con el aparato conectado, ello puede dar lugar a un accidente.

d) Retire las herramientas de ajuste o llaves fijas antes de conectar la herramienta eléctrica. Una herramienta o llave colocada en una pieza rotante puede producir lesiones al ponerse a funcionar.

e) Sea precavido. Trabaje sobre una base firme y mantenga el equilibrio en todo momento. Ello le permitirá controlar mejor la herramienta eléctrica en caso de presentarse una situación inesperada.

f) Lleve puesta una vestimenta de trabajo adecuada. No utilice vestimenta amplia ni joyas. Mantenga su pelo, vestimenta y guantes alejados de las piezas móviles. La vestimenta suelta, las joyas y el pelo largo se pueden enganchar con las piezas en movimiento.

g) Siempre que sea posible utilizar unos equipos de aspiración o captación de polvo, asegúrese que éstos estén montados y que sean utilizados correctamente. El empleo de estos equipos reduce los riesgos derivados del polvo.

4) Uso y cuidado de la herramienta

a) No sobrecargue el aparato. Use la herramienta prevista para el trabajo a realizar. Con la herramienta adecuada podrá trabajar mejor y más seguro dentro del margen de potencia indicado.

b) No utilice herramientas con un interruptor defectuoso. Las herramientas que no se puedan conectar o desconectar son peligrosas y deben hacerse reparar.

c) Saque el enchufe de la red antes de realizar un ajuste en el aparato, cambiar de accesorio o al guardar el aparato. Esta medida preventiva reduce el riesgo a conectar accidentalmente el aparato.

d) Guarde las herramientas fuera del alcance de los niños y de las personas que no estén

familiarizadas con su uso. Las herramientas utilizadas por personas inexpertas son peligrosas.

e) Cuide sus aparatos con esmero. Controle si funcionan correctamente, sin atascarse, las partes móviles del aparato, y si existen partes rotas o deterioradas que pudieran afectar al funcionamiento de la herramienta. Si la herramienta eléctrica estuviese defectuosa haga repararla antes de volver a utilizarla. Muchos de los accidentes se deben a aparatos con un mantenimiento deficiente.

f) Mantenga los útiles limpios y afilados. Los útiles mantenidos correctamente se dejan guiar y controlar mejor.

g) Utilice herramientas eléctricas, accesorios, útiles, etc. de acuerdo a estas instrucciones y en la manera indicada específicamente para este aparato. Considere en ello las condiciones de trabajo y la tarea a realizar. El uso de herramientas eléctricas para trabajos diferentes de aquellos para los que han sido concebidas puede resultar peligroso.

5) Mantenimiento

a) Únicamente haga reparar su herramienta eléctrica por un profesional, empleando exclusivamente piezas de repuesto originales. Solamente así se mantiene la seguridad de la herramienta eléctrica.

Normas de seguridad específicas para sierras alternativas

a) Sujete la herramienta por la superficie aislada de agarre cuando realice una operación donde la herramienta de corte pudiera contactar alambres ocultos o su propio cable. El contacto con un cable con corriente hará traspasar la corriente a las partes metálicas de la herramienta resultando en una descarga eléctrica para el usuario.

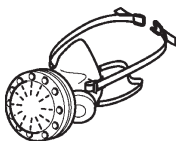
⚠ADVERTENCIA PARA REDUCIR EL RIESGO DE LESIÓN, EL USUARIO DEBE LEER Y ENTENDER EL MANUAL DE INSTRUCCIÓN.

⚠ADVERTENCIA Algunos polvos creados por lijadoras motorizadas, aserraderos, trituradores, perforadoras y otras actividades de construcción contienen sustancias químicas que se sabe (en el Estado de California) causan cáncer, defectos de nacimiento u otros daños al sistema reproductivo. Algunos ejemplos de estas sustancias químicas son:

- Plomo de las pinturas con base de plomo
- Sílice cristalino de los ladrillos y cemento y otros productos de mampostería, y

- Arsénico y cromo de madera tratada con sustancias químicas

El riesgo de exposición a estas sustancias varía, dependiendo de cuantas veces se hace este tipo de trabajo.



Para reducir el contacto con estas sustancias químicas: trabaje en un área con buena ventilación y trabaje con equipo de seguridad aprobado, como mascarillas para el polvo diseñadas específicamente para filtrar partículas microscópicas.

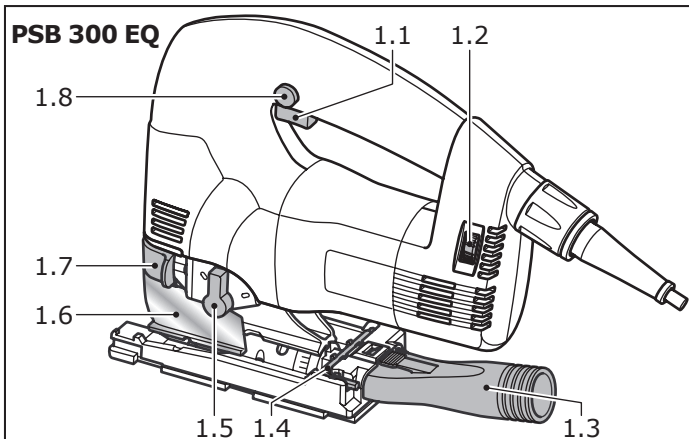
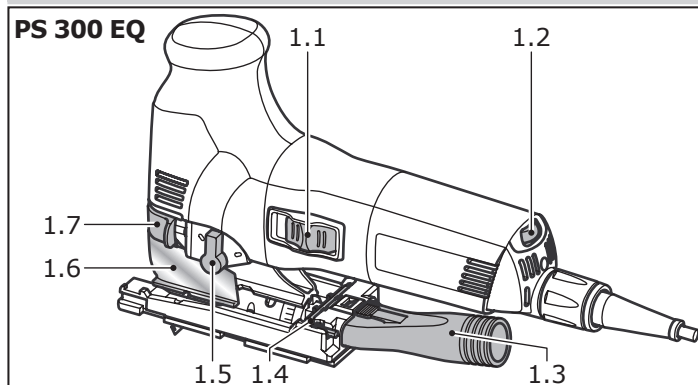
Datos técnicos

Potencia absorbida:	720 W
Velocidad sin carga:	1 000 - 2 900 cpm
Longitud de carrera:	26 mm (1.02 in.)
Carrera pendular:	3 graduaciones
Reajuste oblicuo:	45° hacia ambos lados
Profundidad de corte (depende de la hoja de sierra):	
• madera:	120 mm (4.7 in.)
• aluminio:	20 mm (0.8 in.)
• acero:	10 mm (0.4 in.)
Peso:	2.4 kg (5.2 lbs)
Seguridad:	□ / II

Símbolos

V	voltios
A	amperios
Hz	hertzios
W	watios
~	rensión alterna
n_0	revoluciones sin carga
□	Clase II Construcción
cpm	carreras por minuto

Descripción del funcionamiento



- 1.1 Interruptor de acitvación/desactivación
- 1.2 Regulador del número de revoluciones
- 1.3 Boquilla de aspiración
- 1.4 Llave hexagonal macho
- 1.5 Interruptor de carrera pendular
- 1.6 Protección contra la proyección de virutas
- 1.7 Palanca de sujeción
- 1.8 Botón de bloqueo (solamente PSB 300 EQ)

Use para los propósitos intencionados

Las sierras caladoras están diseñadas para serrar madera y materiales parecidos a la madera. Los plásticos, aceros, aluminio, metales no ferrosos y losetas de cerámica también se pueden cortar usando las sierras recomendadas en los documentos de ventas de Festool para materiales específicos.

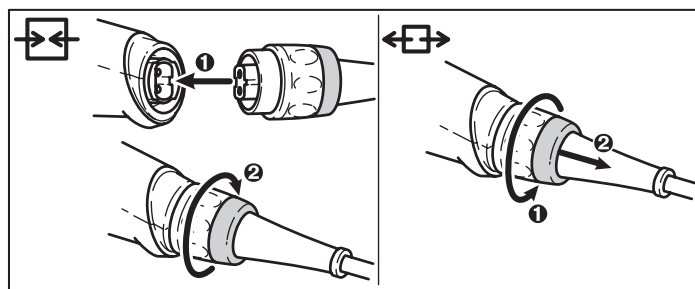
⚠ ADVERTENCIA El usuario será responsable por daños y accidentes que resulten del uso incorrecto.

Conexión eléctrica y operación

La tensión de red deberá coincidir con las indicaciones de tensión expuestas en la placa de identificación de clasificación.

Vea la figura siguiente para enchufar y desenchufar el cable de conexión.

⚠ ADVERTENCIA Apague la máquina siempre antes de conectar o desconectar el cable de conexión a la herramienta o al tomacorriente.



La **PS 300 EQ** está provista de un interruptor deslizante [1.1] para encender/apagar (I = ON, 0 = OFF) la herramienta.

La **PSB 300 EQ** está provista de un interruptor de presión [1.1] para encender y apagar la herramienta. Para el funcionamiento permanente se puede enclavar el interruptor con un botón de bloqueo [1.8]. Al volver a pulsar dicho interruptor se desbloquea el enclavamiento.

Cable de extensión

Cuando se necesite un cable de extensión, éste tiene que disponer de suficiente calibre a fin de evitar una caída excesiva de tensión o sobrecalentamiento. Una caída excesiva de la tensión reduce la potencia y puede destruir el motor. En la tabla de abajo indica el diámetro correcto del cable para la PS/PSB 300 EQ, a saber, en función de la longitud de cable.

Longitud total del cable (pies)	25	50	100	150
Diámetro de cable (AWG)	18	16	12	10

Se deben emplear únicamente cables de extensión listados por U.L. y CSA. No emplee nunca dos cables de extensión conectados el uno con el otro. En vez de ello, emplee uno con el largo que se requiere.

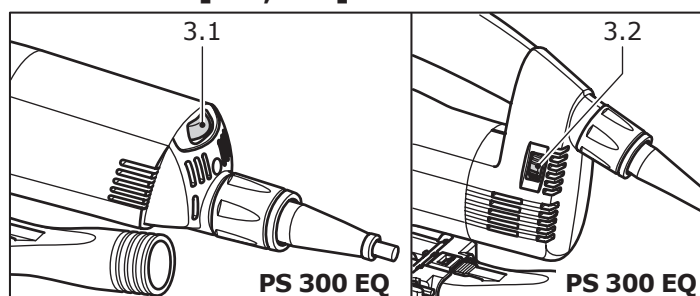
Observación: Mientras más bajo sea el número A.W.G., tanto mayor es el diámetro del cable.

Ajustes en la máquina

ADVERTENCIA ¡Antes de hacer ajuste a la máquina se tiene que desenchufar antes del toma de corriente!

Regulación electrónica

La PS 300 EQ y la PSB 300 EQ disponen de una electrónica de regulación que facilita un reajuste con graduación continua de la cantidad de carreras entre 1000 y 2900 carreras por minuto. La cantidad deseada de carreras se regula con la control de velocidad [3.1, 3.2]:

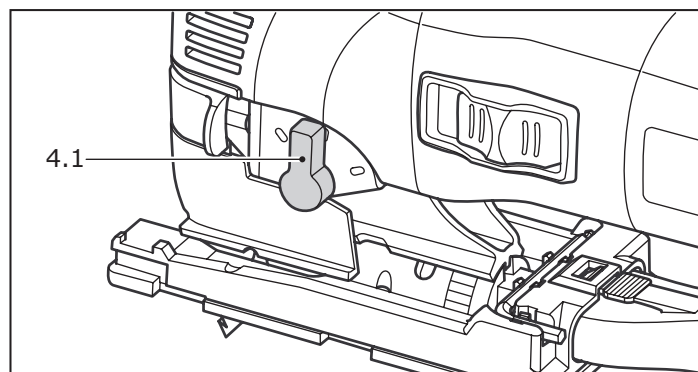


Cantidad recomendada de carreras (ajuste de la control de velocidad):

- Maderas blandas y duras, tableros contrachapados con núcleo de madera: 6
- Madera contrachapada, madera aglomerada: 6

- Tablero de fibra de madera: 4-6
- Plásticos: 3-6
- Cerámica: 3-5
- Metales no férreos: 3-5
- Acero: 2-4

Carrera pendular



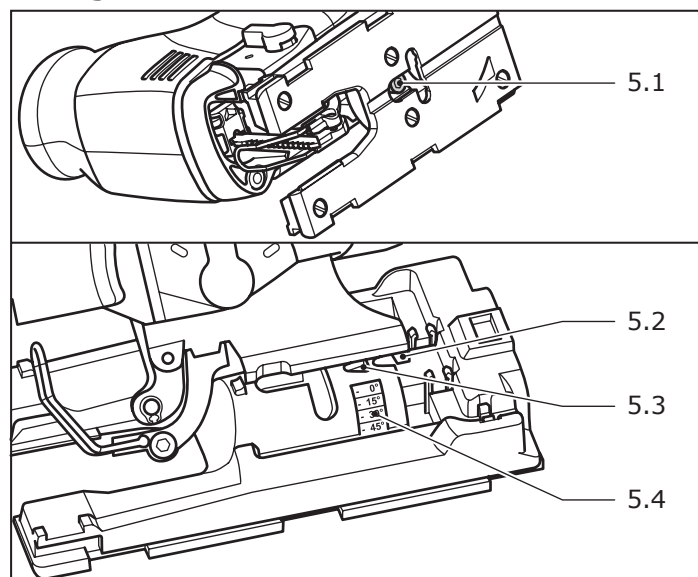
Para poder trabajar materiales diferentes con un avance óptimo, las sierras de calado disponen de una carrera pendular reajutable. Con el interruptor de carrera pendular [4.1] se selecciona la posición deseada:

- Posición 0 = carrera pendular desactivada,
- Posición 3 = carrera pendular máxima.

Ajustes recomendados de carrera pendular:

- Maderas blandas y duras: 1-3
- Madera contrachapada con núcleo de madera, madera contrachapada: 1-2
- Madera aglomerada, tablero de fibra de madera: 1-3
- Plásticos: 1-2
- Cerámica: 0
- Aluminio, metales no férreos: 0-2
- Acero: 0-1

Ajustes de la mesa de serrar



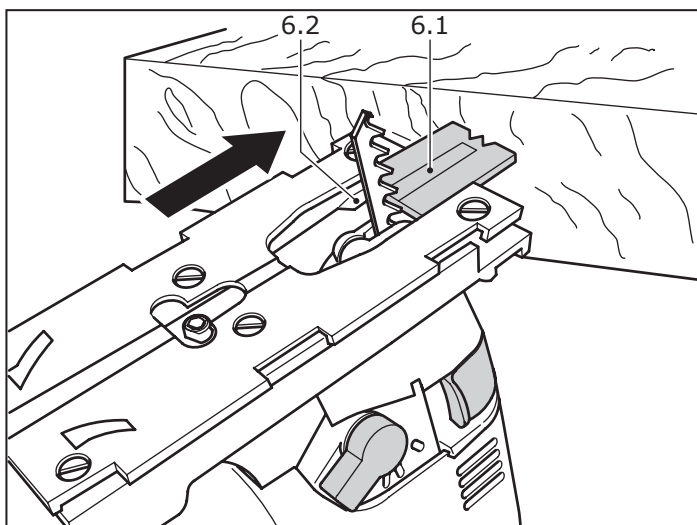
La mesa de serrar se puede oscilar hacia ambos lados para realizar cortes oblicuos hasta de 45°:

- Apague y desenchufe la herramienta
- Quite la protección contra virutas y la protección contra astillas.
- Afloje el tornillo de apretado **[5.1]** con una llave hexagonal macho.
- Desplace la mesa de serrar aproximadamente unos 5 mm (1/5") hacia adelante.
- Ajuste el ángulo deseado conforme a la escala **[5.4]**.
- Apriete el tornillo de apretado **[5.1]**.

La mesa de serrar se puede desplazar hacia atrás para serrar cerca del borde.

- Apague y desenchufe la herramienta
- Quite la protección contra virutas y contra astillas.
- Afloje el tornillo de apretado **[5.1]** con una llave hexagonal macho.
- Desplace la mesa de serrar hasta su posición trasera de manera que el mandril de centrado **[5.2]** quepa en el orificio **[5.3]**.
- Apriete el tornillo de apretado **[5.1]**.

Instalación de la protección contra astillas



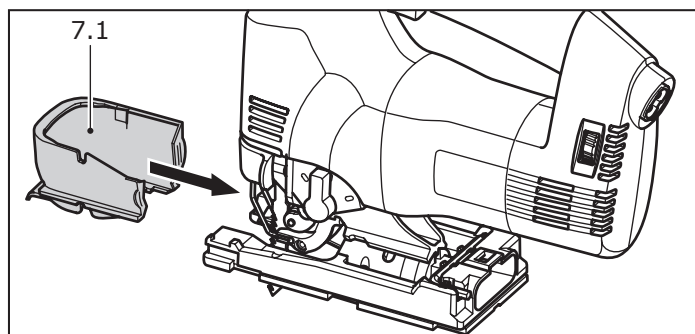
La protección contra astillas facilita el corte limpio y sin desgarramientos de los bordes, incluso también del lado de salida de la cuchilla de sierra.

- Con la herramienta apagada y desenchufada, introduzca la protección contra astillas **[6.1]** en la guía **[6.2]** hasta llegar a la cuchilla de la sierra.
- Encienda la sierra de calado y, con la máquina en marcha, introduzca la protección contra astillas y corte en una superficie plana y serrar hasta que la protección esté alineada con el canto delantero de la mesa para serrar.

Observación: Para que la protección contra astillas funcione de forma fiable deberá estar bien ajustada y cerca de la cuchilla de la sierra en ambos lados. Por eso y a fin de garantizar cortes libres de desgarramientos, utilice una nueva

protección contra astillas cada vez que cambie la cuchilla de la sierra.

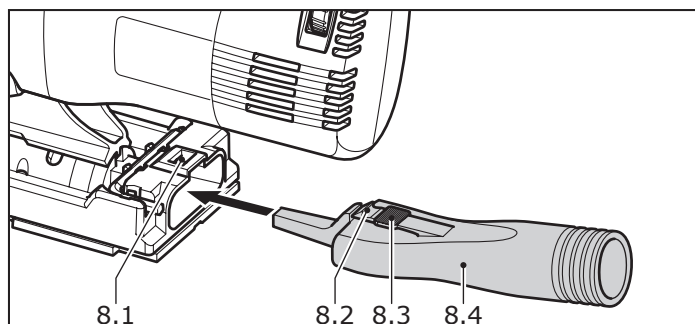
Instalación de la protección contra la proyección de virutas



La protección contra la proyección de virutas impide que las virutas salgan lanzadas y mejora la eficacia de aspiración de virutas.

- Apague y desenchufe la herramienta.
- Coloque la protección contra la proyección de virutas **[7.1]** entre la mesa de serrar y la palanca de sujeción y desplácela hacia atrás presionando ligeramente hasta que se enclave.

Extractor de virutas

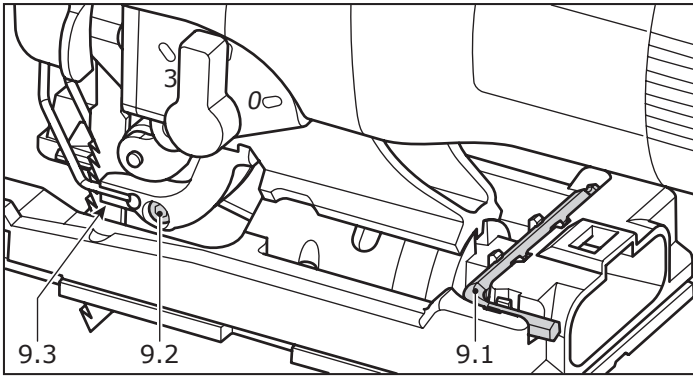


La sierra caladora se puede conectar a un extractor de polvo (diámetro de tubo flexible 27 mm / 1.06") utilizando el adaptador para el extractor **[8.4]**.

- Apague y desenchufe la herramienta.
- Introduzca el adaptador de extracción en el orificio trasero de la mesa de serrar de forma que el gancho **[8.2]** se enclave en la escotadura **[8.1]**.
- Oprima la palanca **[8.3]** para quitar el adaptador del extractor. Si se trabaja con extracción entrará en acción el dispositivo integrado de soplado. El chorro de aire dirigido se encarga de que la viruta no cubra la línea de marcado.

Ajuste de la guía de la cuchilla de la sierra

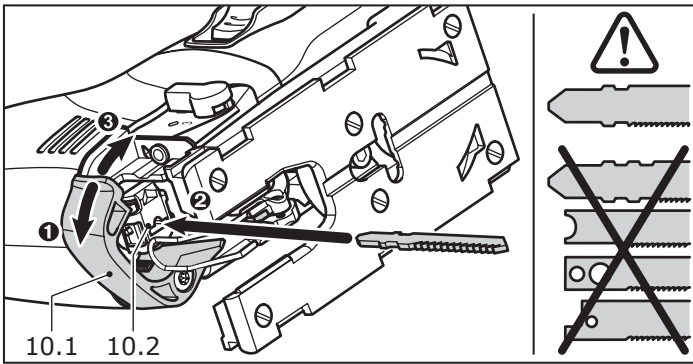
Las sierras de calado disponen de una guía adicional de carburo **[9.3]** justo encima de la pieza de trabajo para guiar la cuchilla mejor.



- Apague y desenchufe la herramienta.
- Con la llave hexagonal macho [9.2] se apretará el tornillo [9.1] hasta que las mordazas estén casi tocando la cuchilla de la sierra.

PRECAUCIÓN ¡Se debe poder mover un poco la cuchilla de la sierra todavía!

Cambio de la cuchilla de la sierra



- Apague y desenchufe la herramienta.
- Abra la palanca de sujeción [10.1] hasta el tope.
- Saque la cuchilla vieja.
- Introduzca la cuchilla nueva de la sierra en el sujetador de la cuchilla de sierra [10.2].
- Cierre la palanca de sujeción.

Trabajo con la herramienta

ADVERTENCIA Antes de la operarla verifique el asiento correcto de la cuchilla de de sierra y que esté fija.

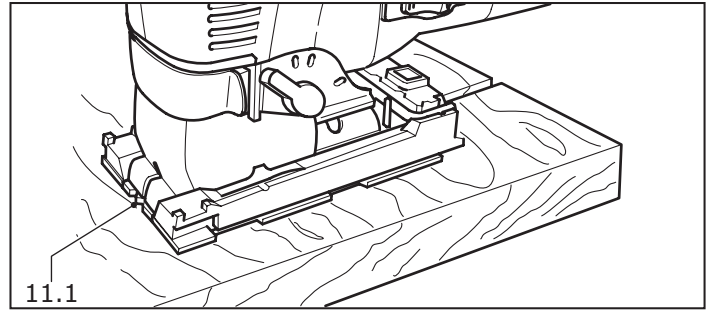
ADVERTENCIA La sierra de calado siempre debe acercarse y aplicarse a la pieza de trabajo con la cuchilla de la sierra en marcha.

Trabajo de metal

ADVERTENCIA Por motivos de seguridad deberán tomarse las medidas siguientes al cortar metal:

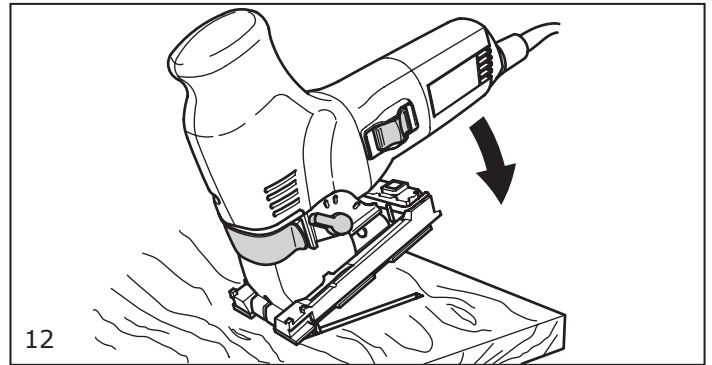
- conecte un dispositivo operado con corriente residual en serie antes de la herramienta,
- conecte la herramienta a un extractor de polvos adecuado,
- limpie la máquina periódicamente para eliminar las aglomeraciones de polvo en el recinto del motor.
- Use gafas de protección.

Conducción libre siguiendo la marca



Gracias a la forma triangular de la protección contra astillas [11.1] se puede ver la línea de corte, facilitando así, aserrar siguiendo la línea marcada.

Serrado con penetración vertical sin perforación previa



Para realizar cortes de penetración vertical en materiales de madera, la mesa de serrar deberá encontrarse en su posición más avanzada (posición básica).

Coloque la sierra en el canto anterior de la mesa. Ajuste a la cantidad máxima de carreras y la posición de carrera pendular 3 y empiece a cortar verticalmente la pieza [ilustración 12].

Accesorios y herramientas

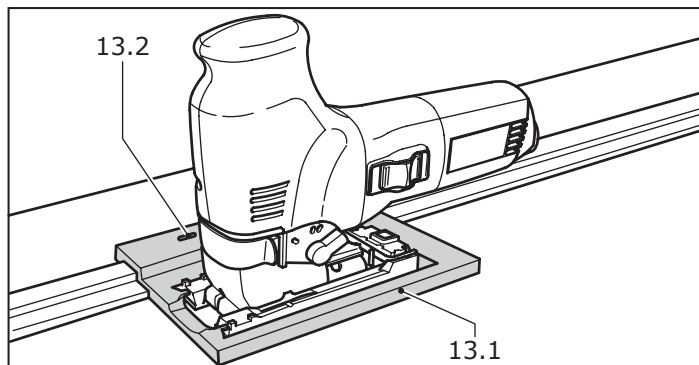
ADVERTENCIA ¡Por razones de seguridad, solamente emplee accesorios y herramientas originales de Festool!

A fin de poder cortar materiales diferentes de forma limpia y rápida, Festool le ofrece para todas las aplicaciones cuchillas de sierra adaptadas especialmente a su sierra de calado.

Los números de pedido para los respectivos accesorios y herramientas se encuentran en su catálogo Festool o en la dirección de Internet www.festool-usa.com.

Sistema de guía FS de Festool

La utilización del sistema de guía FS de Festool facilita la realización de cortes rectos y exactos, especialmente en grosores de hasta 20 mm (3/4").

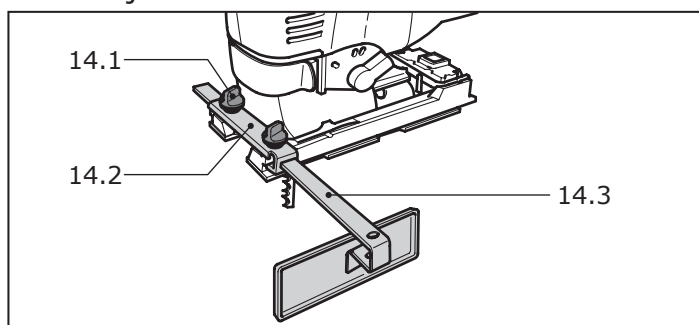


Para ello la sierra de calado se coloca en un tope de guía **[13.1]** (490031) y se guía a lo largo del riel de guía.

El tope de guía tiene dos toques de limite ajustables **[13.2]** para un ajuste libre.

Guía paralela

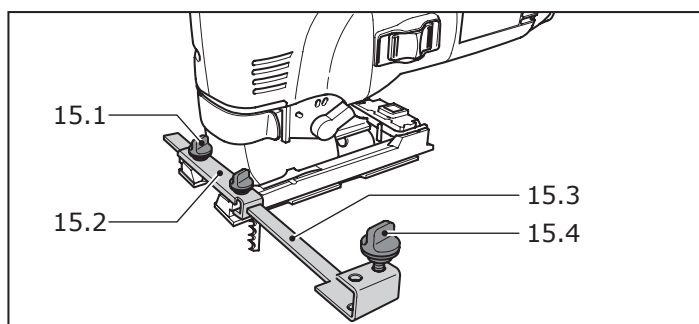
Use la guía paralela (486719) para conducir la sierra de calado paralelamente al canto de la pieza de trabajo.



La guía paralela se puede montar en ambos lados de la mesa de serrar:

- Apague y desenchufe la herramienta.
- Deslice la abrazadera de sujeción **[14.2]** en la mesa de serrar desde el frente.
- Inserte el tope paralelo **[14.3]** a través de la abrazadera de sujeción desde el costado hasta la posición deseada.
- Apriete el botón giratorio **[14.1]**.

Cortador circular



El cortador circular (490032) puede realizar cortes circulares con un diámetro de entre 120 mm y 720 mm (4.7" - 28.3").

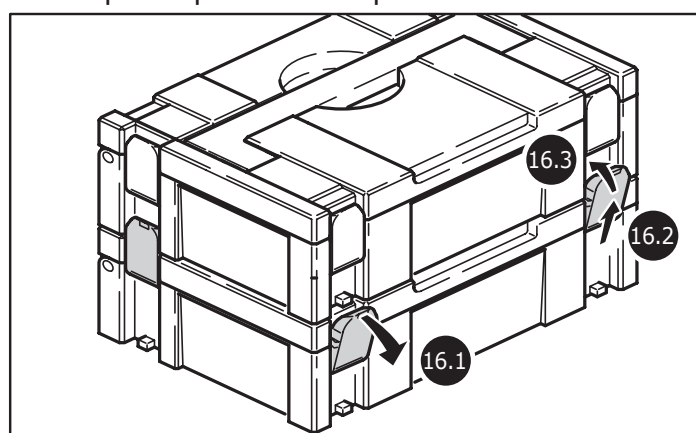
La cortadora circular se puede instalarse en ambos lados de la mesa de:

- Apague y desenchufe la herramienta.

- Deslice la abrazadera de sujeción **[15.2]** sobre la mesa de serrar desde el frente.
- Inserte el cortador circular **[15.3]** a través de la abrazadera de sujeción desde el costado hasta la posición deseada.
- Apriete el botón giratorio **[15.1]**.
- Introduzca la punta del compás **[15.4]** en la perforación trasera del cortador circular.

Systainer

Muchos de los productos Festool se entregan en un embalaje exclusivo denominado "Systainer" que sirve de protección a la herramienta y sus complementos, además de facilitar su almacenamiento. Los Systainer pueden apilarse y encajan unos con otros. Además se adaptan sin problema a cualquier aparato de aspiración CT de Festool.



- Coloque un Systainer sobre otro.
- Abra los cuatro enganches del Systainers de abajo tirando de sus extremos superiores **[16.1]**.
- Deslice los cuatro enganches hacia arriba **[16.2]**.
- Presione los cuatro enganches hasta que queden planos **[16.3]** y puedan así acoplarse en los soportes del Systainer colocado encima.

Mantenimiento y cuidado

⚠ADVERTENCIA Todos los trabajos de mantenimiento y reparación, para los que se tiene que abrir el recinto del motor, sólo deben ser llevados a cabo por un taller de servicio autorizado. El mantenimiento o reparación de la máquina por personas no autorizadas puede ser la causa de una conexión errónea de los cables conductores de corriente eléctrica o de otros componentes, lo cual puede ser la causa de accidentes lesiones graves.

⚠ADVERTENCIA ¡Siempre desenchufe del tomacorriente antes de realizar trabajos en la máquina! Mantenga siempre limpias las ranuras de ventilación.

Garantía

Condiciones de la Garantía 1 + 2

Usted tiene derecho a una garantía extendida gratuita (1 año + 2 años = 3 años) para su herramienta motorizada Festool. Festool se hará responsable por los gastos de envío durante el primer año de garantía. Durante el segundo y tercer año de garantía el cliente es responsable por el costo del envío de la herramienta a Festool. Festool pagará el embarque de regreso al cliente usando UPS Ground Service. Todo el servicio de garantía es válido por 3 años desde la fecha de la compra de acuerdo a la fecha de su recibo o factura de compra.

Garantía limitada de Festool

Esta garantía es válida únicamente con la condición previa de que la herramienta se usa y opera de conformidad con las instrucciones de operación de Festool. Festool garantiza, sólo al comprador original, que la herramienta especificada estará libre de defectos de fabricación y materiales durante un periodo de un año a partir de la fecha de compra. Festool no otorga otras garantías, ni explícitas ni implícitas para ninguna de las herramientas motorizadas portátiles Festool. Ningún agente, representante, distribuidor, comerciante o empleado de Festool está autorizado para extender o modificar de cualquier manera las obligaciones o limitaciones de esta garantía. Las obligaciones de Festool, a su propia entera discreción, están limitadas a la reparación o sustitución de cualquier herramienta portátil Festool que se encuentre estar defectuosa en el momento de ser embalada junto con el manual de usuario.

Quedan excluidos de la cobertura en esta garantía: el desgaste normal; los daños causados por uso indebido, el abuso o negligencia; los daños causados por cualquier otra causa que no sean

defectos del material o de la fabricación. Esta garantía no aplica a accesorios como cuchillas de sierras circulares, brocas de taladro, barrenas de buriladora, cuchillas de sierra, cuchillas para sierras de calado, correas de lijadoras y ruedas de esmeril. También se excluyen las partes que se desgastan como cepillos de carbón, álabes de las herramientas de aire, collarines de hule y sellos, discos y platos de lijado, y baterías.

Las herramientas motorizadas portátiles Festool que requieran de reemplazo o reparación deben devolverse con el recibo de compra a Festool (llame al 800-554-8741 para los detalles de la dirección).

EN NINGÚN CASO FESTOOL SE HARÁ RESPONSABLE POR LOS DAÑOS SECUNDARIOS O CONSECUENTES OCASIONADOS POR LA VIOLACIÓN DE ESTA O CUALQUIER OTRA GARANTÍA, SEA EXPLÍCITA O IMPLÍCITA. TODAS LAS GARANTÍAS IMPLICADAS POR LEYES ESTATALES, INCLUYENDO LAS GARANTÍAS IMPLICADAS DE COMERCIALIZACIÓN Y ADECUACIÓN A UN PROPÓSITO PARTICULAR, QUEDAN LIMITADAS A TRES AÑOS DE DURACIÓN.

Algunos estados de EE.UU. y algunas provincias de Canadá no permiten las limitaciones en cuanto a la duración de las garantías implícitas, de modo que la limitación arriba indicada puede que no le afecte. A excepción de algunas garantías implicadas por leyes estatales o provinciales, limitadas por la presente, la anteriormente citada garantía, expresamente limitada, es exclusiva y sustituye a cualquier otra garantía, acuerdo u obligación similar de Festool.

Esta garantía le concede derechos legales específicos y usted podría tener otros derechos legales que varían de estado a estado en EE.UU. y de provincia a provincia en Canadá.

Free Manuals Download Website

<http://myh66.com>

<http://usermanuals.us>

<http://www.somanuals.com>

<http://www.4manuals.cc>

<http://www.manual-lib.com>

<http://www.404manual.com>

<http://www.luxmanual.com>

<http://aubethermostatmanual.com>

Golf course search by state

<http://golfingnear.com>

Email search by domain

<http://emailbydomain.com>

Auto manuals search

<http://auto.somanuals.com>

TV manuals search

<http://tv.somanuals.com>