

First Alert[®]

**Indoor/Outdoor Digital Wireless
Camera with 7" LCD Monitor
Model DW-700/702**

USER'S MANUAL



©2010 Lehigh Consumer Products, LLC

All rights reserved. Distributed by Lehigh Consumer Products, LLC, Macungie, PA 18062. Due to continuing product development, the product inside the packaging may look slightly different than the one on the package.

Lehigh Consumer Products, LLC is a subsidiary of Jarden Corporation (NYSE: JAH). To obtain warranty service, contact the Consumer Affairs Division at 1-800-323-9005, Monday through Friday, 7:30 a.m. - 5 p.m., Central Standard Time.

Made in China

M08-0242-000



Table of Contents

Safety	1
Safety Precautions	1
FCC Compliance	1
Getting to Know Your DW-700/702 Security System.....	2
Check Package Contents.....	2
Digital Wireless Camera	3
Digital Wireless Receiver	4
Remote Control.....	5
Display Screen Icons	6
Setting Up Your DW-700/702 Security System	7
General Precautions	7
Installing the Camera	7
Installing the Receiver	8
Operating Menus	9
Main Menu Operation.....	9
Camera Setup.....	10
Camera ON/OFF	10
Camera Brightness	10
Pairing	11
Resolution	11
Recorder Setup.....	12
Alarm Period.....	12
Motion Detection Record Period	13
SD Card Overwrite	13
Event List.....	14
System Setup	14
Quad Display	15
Scan Period	15
Timing Setting	16
SD Card Format	16
Power Saving	17
TV Format.....	17
Set to Factory Default	18
System Version	18

Troubleshooting	19
Technical Information	21
General.....	21
Camera.....	21
Wireless	21
Recording.....	21
Storage Data Management	22
Warranty	23
Product Limited Warranty.....	23
Warranty Exclusions	23
Obtaining Service	24

SAFETY PRECAUTIONS

- Do not drop, puncture, or disassemble the camera.
- Never tug on the power adapter. Use the plug to remove it from the wall.
- Use the device with care. Avoid pressing hard on the camera or receiver body.
- Do not expose the camera to high temperatures.
- For your own safety, avoid using the camera when there is a storm or lightning.
- Use the device with care. Avoid pressing hard on the camera body.
- Do not crush or damage the power cable.

FCC COMPLIANCE

This device complies with Part 15 of the FCC Rules. Operation is subjected to the following two conditions: (1) this device may cause harmful interference, and (2) this device must accept any interference received, including interference that may cause undesired operation.

This equipment has been tested and found to comply with limits for a Class B digital device, pursuant to Part 15 of the FCC Rules. These limits are designed to provide reasonable protection against harmful interference in residential installations. This equipment generates, uses, and can radiate radio frequency energy and, if not installed and used in accordance with the instructions, may cause harmful interference to radio communications.

However, there is no guarantee that interference will not occur with a particular installation. If this equipment does cause interference to radio or television equipment reception, which can be determined by turning the equipment off and on, the user is encouraged to try to correct the interference by the following measures:

- Reorient or relocate the receiving antenna.
- Increase the separation between the equipment and the receiver.
- Connect the equipment into an outlet on a circuit different from that to which the receiver is connected.
- Consult the dealer or an experienced radio/TV technician for help.

Notice: Changes or modifications to the product could void the user's authority to operate the product.

Getting to Know Your DW-700/702 Security System

Congratulations on purchasing your First Alert Security Camera product. First Alert has been helping families and businesses stay safe for over 50 years. By having a First Alert Security Camera, you're taking the first step in protecting your home or business from damage or theft. We're watching, even when you're not.

CHECK PACKAGE CONTENTS

Model DW-700 is a one-camera security system and Model DW-702 is a two-camera security system. The technical specifications, installation, and operation of each model are identical.

After unpacking the carton, check the contents for damage. Contact your supplier or dealer immediately if any part is missing or damaged.

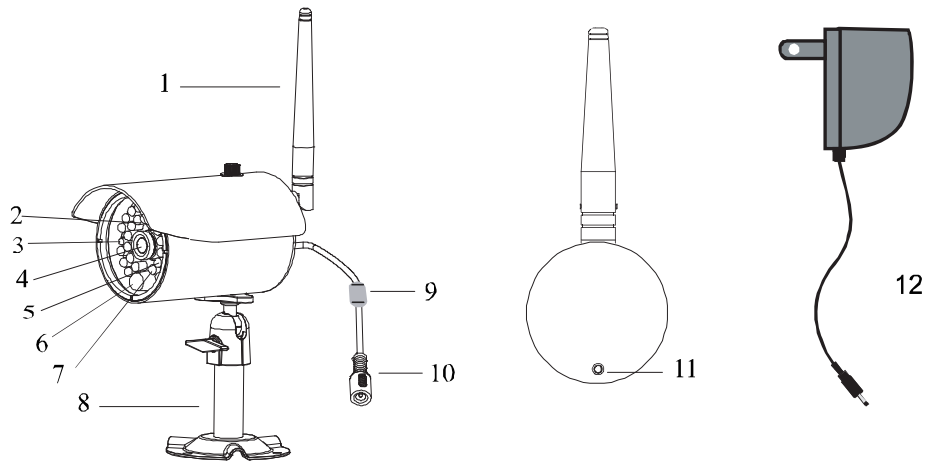
DW-700

- Digital Wireless Camera (1)
- 7" LCD Digital Wireless Receiver (1)
- Camera Stand (1)
- Mounting Kit (1)
- Remote Control (1)
- Power Supply (2)
- AV Cable (1)
- 2GB SD Card
- User's Manual (1)

DW-702

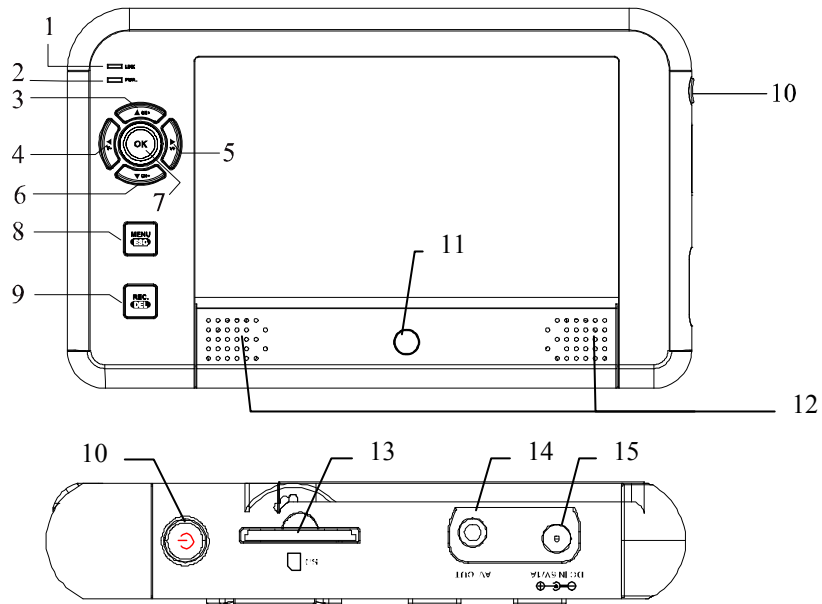
- Digital Wireless Camera (2)
- 7" LCD Digital Wireless Receiver (1)
- Camera Stand (2)
- Mounting Kit (2)
- Remote Control (1)
- Power Supply (3)
- AV Cable (1)
- 2GB SD Card (1)
- User's Manual (1)

DIGITAL WIRELESS CAMERA



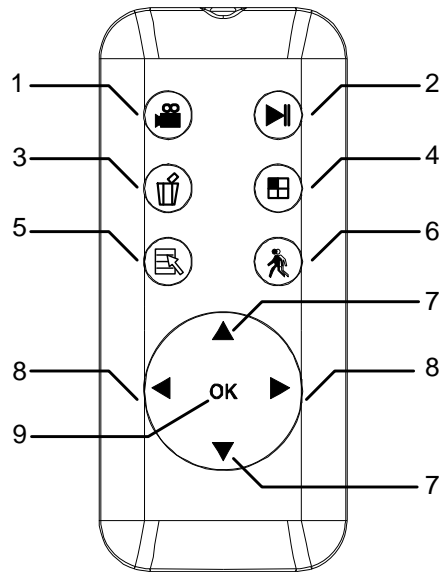
- | | | | |
|----------|-------------|-----------|--------------|
| 1 | Antenna | 7 | IR LED |
| 2 | EDS | 8 | Camera Stand |
| 3 | Power LED | 9 | Pairing Key |
| 4 | Camera Lens | 10 | Power Jack |
| 5 | Link LED | 11 | Microphone |
| 6 | PIR | 12 | Power Supply |









DIGITAL WIRELESS RECEIVER



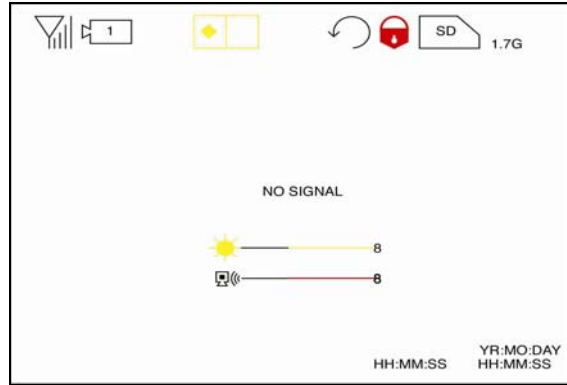
- | | | |
|----|---------------------|--|
| 1 | Link indicator | Steady light when camera is operating; Flashing light when camera is recording |
| 2 | Power indicator | Lights when receiver is powered on |
| 3 | ▲ | Cursor up in Menu mode; Switch channel in View mode |
| 4 | ◀ | Cursor left in Menu mode; Volume down in View mode |
| 5 | ▶ | Cursor right in Menu mode; Volume up in View mode |
| 6 | ▼ | Cursor down in Menu mode; Switch channel in View mode |
| 7 | OK | Confirm the settings/changes in Menu mode; Enter Event List in View mode |
| 8 | MENU
ESC | Back in Menu mode; Enter/exit Menu mode in View mode |
| 9 | REC
DEL | Record in Menu mode; Start/stop recording View mode |
| 10 | Power | |
| 11 | IR Sensor | |
| 12 | Speakers | |
| 13 | SD Card Slot | |
| 14 | AV Out Jack | |
| 15 | DC In Jack | |

REMOTE CONTROL



- 1  Start/Stop manual recording (SD card must be installed)
- 2  Enter Event List directly;
Press button to play/pause the video files
- 3  Press to delete video files you selected
- 4  In view mode, display up to four images cameras at one time (audio is unavailable in QUAD Mode)
- 5  Enter/exit a menu
- 6  Press to turn on the Motion Detection
- 7  In Menu Mode, move between the selections
In View Mode, switch channel
In QUAD Mode, [Hot key CH1/CH2]
- 8  In Menu Mode, move between selections
In View Mode, audio volume down/up
In Play Mode, rewind/fast forward
In QUAD Mode, [Hot key CH3/CH4]
- 9 **OK** Press to confirm the selections and changes

DISPLAY SCREEN ICONS



	Signal Indicator
	Chanel Indicator
	Motion Detection Recording Indicator (ON)
	Motion Detection Alarm Indicator (ON)
	Recording Indicator (blinking)
	No SD Card
	SD Card Full
	SD Card Error
	SD Card Locked
	SD Card Overwrite (ON)
	SD Card Indicator
	SD Card Storage Room Indicator
	Camera Brightness
	System Time
	Record Time
	Date
	Screen icon hides after 10-second idle time
	System volume

Setting Up Your DW-700/702 Security System

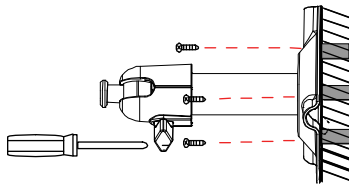
GENERAL PRECAUTIONS

- Use only the power supply provided with the system.
- Unplug the power supply when the system is not in use for extended periods.
- Do not place any of the equipment near a radiator, vent, or other place where it might be exposed to heat, moisture, dust, vibrations, or strong magnetic fields.
- Do not attempt to repair the camera. Contact a qualified technician or the dealer for service. Any change or modification may damage the equipment and invalidate the warranty.
- When installing the camera, follow manufacturer's advice when using power tools, steps, ladders, etc. and wear suitable protective equipment (e.g., safety goggles) when drilling holes. Before drilling holes through a ceiling, check for hidden electricity cables and water pipes.

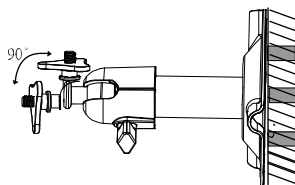
INSTALLING THE CAMERA

- 1** Select the position for the camera and secure the camera stand.

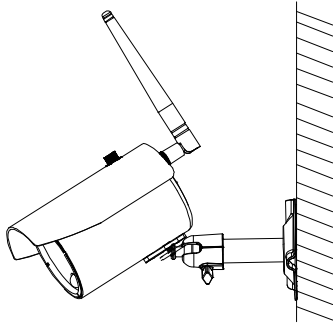
Screws and anchors are supplied. Use an appropriate screw type for the mounting surface.



- 2** Screw the camera onto the bracket.



- 3 Adjust camera to the proper view angle. Make sure the lens is upright relative to your subject. Tighten the thumb bolt.



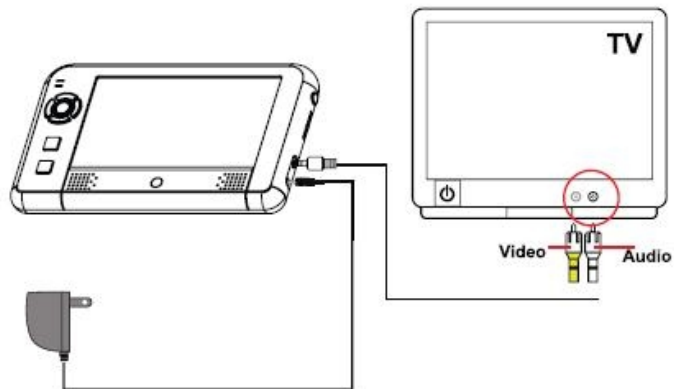
- 4 Screw the antenna into place on the rear of the camera. Adjust the antenna to an upright position.

INSTALLING THE RECEIVER

- 1 Connect the power cable to the DC IN of the receiver.
- 2 Plug the power supply into the electrical outlet.
- 3 Once the receiver is connected, see Camera Setup, Pairing (Operating Menus) to link the camera(s) to the receiver.

OPTIONAL: VIEW ON TELEVISION OR OTHER MONITOR

- 1 If connecting to another monitor such as a TV:
Connect the AV cable into the AV OUT of the receiver.
- 2 Connect the two RCA jacks to the TV AV IN.
Yellow = Video; White = Audio
- 3 Press POWER button to turn on the receiver.



Operating Menus

This chapter provides information about the menu screens. The screens are used to control the various functions of the DVR system. The user selects options from a series of menus and executes the actions by using the keypad on the IR controller.

MAIN MENU OPERATION

The Main Menu display when the system is powered up. Use this menu to access:

- Camera Setup
 - Camera On/Off
 - Camera Brightness
 - Pairing
 - Resolution
- Recorder Setup
 - Alarm Period
 - Motion Detection
 - SD Card Overwrite
- Event List
- System Setup
 - Quad Display
 - Scan Period
 - Time Setting
 - SD Card Format
 - Power Saving
 - TV Format
 - Set to Factory Default
 - System Version

CAMERA SETUP

Access the Camera Setup menu from the Main Menu. Use this menu to turn the camera on/off and adjust image brightness, pairing, resolution and quality.



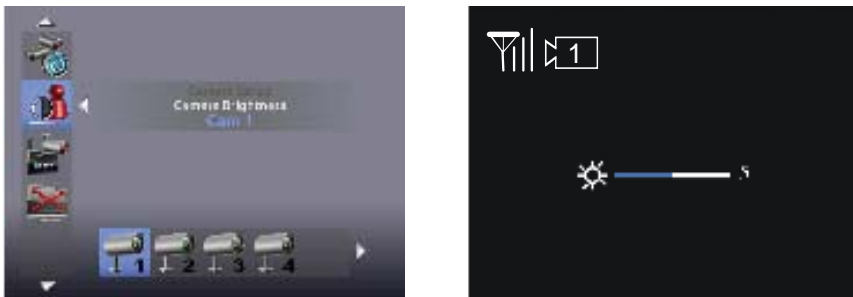
CAMERA ON/OFF



1. Use ◀ ▶ to select a camera.
2. Press Ⓚ to turn camera ON/OFF.

⚠ Make sure unavailable cameras are set OFF from SCAN or QUAD mode.

CAMERA BRIGHTNESS



1. Use ◀ ▶ to select a camera.
2. Press Ⓚ to display Camera Brightness bar.
3. Use ◀ ▶ to adjust Brightness.

PAIRING



1. Use ◀ ▶ to select a camera.
2. Press Ⓚ to start system countdown from 60 seconds.
3. Within 60-second countdown, press LINK on the camera cable. Image will display when pairing is complete.

RESOLUTION



1. Use ◀ ▶ to select Resolution between 640x480 and 320x240.
2. Press Ⓚ to confirm.
 - ⚠ Resolution will affect recording file size. System can support longer recording time for QVGA resolution and low image quality.

RECORDER SETUP

Access the Recorder Setup menu from the Main Menu. Use this menu to set the alarm and motion detection record periods, and to overwrite the SD card.



OK



Alarm Period
Motion Detection
SD Card Overwrite

ALARM PERIOD



1. Use ◀ ▶ to select a different Alarm Period for motion detection: OFF, 5 sec, 10 sec, 15 sec. (Default setting is 5 sec.)
 2. Press Ⓚ to confirm.
- ⚠ Press any button to mute when motion detection alarm is activated.

MOTION DETECTION RECORD PERIOD



1. Use ◀ ▶ to select a different Motion Detection Record Period: OFF, 5 sec, 10 sec, 15 sec. (Default setting is 5 sec.)
2. Press Ⓚ to confirm.
 - ⚠ Motion detection will be disabled for 5 seconds after motion detection recording or alarm stops.

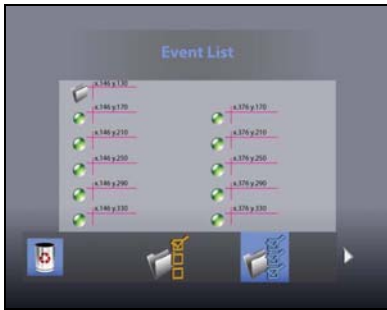
SD CARD OVERWRITE



1. Use ◀ ▶ to select ON/OFF. (Default setting is ON.)
2. Press Ⓚ to save and exit.
 - ⚠ Newly recorded file will overwrite original files when SD card memory is full. SD card storage room indicator on LCD flashes a red warning with 0.0G

EVENT LIST

Access the Event List menu from the Main Menu.



Play Mode

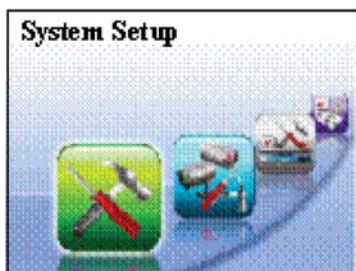
1. Press **OK** to enter Record Folder.
2. Continue to press **OK** to Play/Pause file.
3. Press **▶** to adjust volume up; press **◀** to adjust volume down; press ESC to Stop/Exit.

Event List

1. Press DEL to enter deletion mode.
2. Use **◀ ▶** to delete the selected file or delete all files.
3. Press **OK** and select **●** icon.
4. Press **●** to delete.

SYSTEM SETUP

Access the System Setup menu from the Main Menu. Use this menu to select quad scan, adjust scan period and system clock, format the SD card, set the power saving and TV format parameters, reset the system to factory default settings, and check system information.



Quad Display
Scan Period
Time Setting
SD Card Format
Power Saving
TV Format
Set to Factory Default
System Version

QUAD DISPLAY



1. Use ◀ ▶ to select Quad display ON/OFF.
2. Press Ⓚ to confirm the change.
3. Turn all available channels ON before changing to Quad mode.
4. To exit the Quad display, press directional keys to enter single channel:

▲ = CAM1; ▼ = CAM2; ◀ = CAM3; ▶ = CAM4

⚠ Quad mode is recommended when the system is equipped with more than one camera. The system will only record one channel, not the Quad display.

SCAN PERIOD

Scan Period selects the time each camera will be displayed.



1. Use ◀ ▶ to change Scan Time interval: OFF, 5 sec, 10 sec, or 15 sec.
 2. Press Ⓚ to confirm the change.
- ⚠ This function is available for multi-camera systems. Only camera of current display can be triggered during scan time. Recommended scan time is 5 sec.
- ⚠ Scan Time turns off when CH+, CH-, or REC is selected for manual scan or record.

TIMING SETTING



1. Press ► to change Clock: Year, Month, Day, Hours, and Minutes.
2. Press ▲▼ to change the Time Setting.
3. Press Ⓚ to confirm the settings.

SD CARD FORMAT



1. Press Ⓚ to select SD Card Format screen.
2. Press **Start** and press Ⓚ to format card.
 - ⚠ Make sure SD card is unlocked.
 - ⚠ For first time use, it is strongly recommended to format the SD card.

POWER SAVING



1. Use ◀ ▶ to turn Power Saving mode ON/OFF. (Default setting is ON.)
 - ⚠ When Power Saving mode is ON, the monitor screens turns off after a 2-minute idle time. Speaker volume remains on.
2. Press any key to activate monitor screen from Power Saving mode.

TV FORMAT



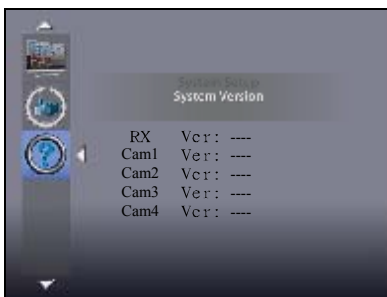
1. Use ◀ ▶ to select TV Format: NTSC or PAL. (Default is NTSC. **Do not use PAL.**)
 - ⚠ Changing the TV format may affect the scale of the displayed images. Make sure the format selected matches the TV used.

SET TO FACTORY DEFAULT



1. Press **OK** to select Factory Default screen.
2. Press **Start** and press **OK** to reset the system to factory default settings.

SYSTEM VERSION



1. Press **OK** to select System Version screen.
- ⚠** For factory use only.

Troubleshooting

Problem	Possible Causes	Remedies
System message shows “No Signal”	No power supply to camera	If camera power status indicator light is off, check power adapter and power cable connection.
	Channel is not linked up to camera	Move the camera closer to the receiver, and connect the camera to the desired channel. Go to “Camera Setup” in the Menu. Use the “Pairing” sub-menu to connect the camera to the receiver.
	Service out of range	Move the camera closer to the receiver.
	Signal is blocked	If possible, remove major obstacles in between the camera and the receiver. Or, relocate the camera to another location.
Low or unstable signal	Antenna direction is limited	Adjust the camera antenna and receiver position.
	Signal has been blocked	If possible, remove major obstacles in between the camera and receiver. Or, relocate the camera to another location.
	Strong radio signal nearby	Keep WIFI router away from the camera and/or receiver.
	Strong electromagnetic interference nearby	Keep active appliances such as hair dryers, heat fans, air conditioners, water pumps, or microwave ovens away from the camera and/or receiver.
Channel(s) disappear during auto or manual scan	Scan channel(s) has been turned OFF	Go to Menu; turn ON the channel(s).
Dim or overly bright image at night time	Low light vision distance is too short/too far or a glass pane is too close	Adjust the camera to have the view fit the ideal distance: 15 to 24ft.
Recording does not work	No SD Card	Insert SD Card.
	SD Card locked	Unlock the SD Card.
Motion detection does not work	Motion Detection record time is set to OFF	Always set Motion Detection record period to 5 sec, 10 sec, or 15 sec.

Audio feedback	Camera and receiver are too close	The camera has a high sensitivity microphone. Keep the camera at least 10 feet away from the receiver. If the camera must be within 10 feet of the receiver, keep the volume down.
Poor image quality	Interference	Place the camera and/or receiver antenna at a new angle or readjust its position to make an improvement. Remove obstacles between the camera and receiver that might affect the signal (e.g., furniture, cabinets, and walls.) Relocate the camera closer to the receiver.

Technical Information

GENERAL

Operating Power	5V
Operating Temperature	14°F - 122°F
Indoor / Outdoor	Both
Dimensions Camera & Stand Receiver	4.7" x 2.8" x 2.7" 9.0" x 5.5" x 1.4"
Remote Control	Included
4 Camera Multi-View	Yes

CAMERA

Image Sensor	CMOS
Viewing Angle	56 degrees
Audio Range	16 ft.
Digital	Yes
Color	Yes
Motion Detection	Yes
Night Vision Capability	Yes
Number of Infrared LEDs	27
Night Vision Distance	up to 40 ft.

WIRELESS

Wireless Range	750 ft.
Frequency	2.4 GHz
Transmission Channels	40

RECORDING

Data Storage Type	2GB SD Card (included)
SDHC Compatible	32GB

STORAGE DATA MANAGEMENT

SD Card Capacity	640 x 480 (VGA)	320 x 240 (QVGA)
1G	110 Minutes	165 Minutes
2G	250 Minutes	350 Minutes
8G	1070 Minutes	1450 Minutes
16G	2170 Minutes	2960 Minutes

PRODUCT LIMITED WARRANTY

BRK Brands, Inc., (“BRK”) the maker of First Alert® brand products warrants that for a period of one year from the date of purchase (the “Warranty Period”), this product will be free from defects in material and workmanship. BRK, at its sole option, will repair or replace this product or any component of the product found to be defective during the Warranty Period. Replacement or repair will be made with a new or remanufactured product or component. If the product is no longer available, replacement may be made with a similar product of equal or greater value. This is your exclusive warranty.

This warranty is valid for the original retail purchaser only from the date of initial retail purchase and is not transferable. In order to obtain warranty service, you must keep the original sales receipt and proof of purchase in the form of the UPC code from the package. BRK dealers, service centers, or retail stores selling BRK products do not have the right to alter, modify or any way change the terms and conditions of this warranty.

WARRANTY EXCLUSIONS

Parts and Labor: 1 year limited (warranted parts do not include bulbs, LEDs, and batteries)

This warranty does not apply to bulbs, LEDs, and batteries supplied with or forming part of the product.

This warranty is invalidated if non- BRK accessories are or have been used in or in connection with the product or in any modification or repair is made to the product.

This warranty does not apply to defects or damages arising by use of the product in other than normal (including normal atmospheric, moisture and humidity) conditions or by installation or use of the product other than in strict accordance with the instructions contained in the product owner’s manual.

This warranty does not apply to defects in or damages to the product caused by (i) negligent use of the product, (ii) misuse, abuse, neglect, alteration, repair or improper installation of the product, (iii) electrical short circuits or transients, (iv) usage not in accordance with product installation, (v) use of replacement parts not supplied by BRK, (vi) improper product maintenance, or (vii) accident, fire, flood or other Acts of God.

This warranty does not cover the performance or functionality of any computer software included in the package with the product. BRK makes no warranty that the software provided with the product will function without interruption or otherwise be free of anomalies, errors, or “Bugs.” This warranty does not cover any costs relating to removal or replacement of any product or software installed on your computer.

BRK reserves the right to make changes in design or to make additions to or improvements in its products without incurring any obligations to modify any product which has already been manufactured. BRK will make every effort to provide updates and fixes to its

software via its website. This warranty does not cover any alteration or damage to any other software that may be or may become resident on the users system as a result of installing the software provided. This warranty is in lieu of other warranties, expressed or implied, and BRK neither assumes nor authorizes any person to assume for it any other obligation or liability in connection with the sale or service of the product. In no event shall BRK be liable for any special or consequential damages arising from the use of the product or arising from the malfunctioning or non-functioning of the product, or for any delay in the performance of this warranty due to any cause beyond its control.

BRK does not make any claims or warranties of any kind whatsoever regarding the product's potential, ability, or effectiveness to prevent, minimize, or in any way affect personal or property damage or injury. BRK is not responsible for any personal damage, loss, or theft related to the product or to its use for any harm, whether physical or mental related thereto. Any and all claims or statements, whether written or verbal, by salespeople, retailers, dealers, or distributors to the contrary are not authorized by BRK, and do not affect this provision of this warranty.

BRK's responsibility under this, or any other warranty, implied or expressed, is limited to repair, replacement or refund, as set forth above. These remedies are the sole and exclusive remedies for any breach of warranty. BRK is not responsible for direct, special, incidental, or consequential damages resulting from any breach of warranty or under any other legal theory including but not limited to, loss profits, downtime, goodwill, damage to or replacement of equipment and property and any costs of recovering, reprogramming or reproducing any program or data stored in or used with a system containing the product accompanying software.

BRK does not warrant the software will operate with any other software except that which is indicated. BRK cannot be responsible for characteristics of their party hardware or software which may effect the operation of the software included.

Except to the extent prohibited by applicable law, any implied warranty of merchantability or fitness for a particular purpose is limited in duration to the duration of the above Warranty Period. Some states, provinces, or jurisdictions do not allow the exclusion or limitation of incidental or consequential damages or limitations on how long an implied warranty lasts, so the above limitations or exclusion may not apply to you. This warranty gives you specific legal rights, and you may also have other rights that vary from state to state, or province to province, or jurisdiction to jurisdiction.

OBTAINING SERVICE

If service is required, do not return the product to your retailer. In order to obtain warranty service, contact the Consumer Affairs Division at 1-800-323-9005, 7:30 a.m. – 5:00 p.m. Central Standard Time, Monday through Friday. To assist us in serving you, please have the model number and date of purchase available when calling.

After contacting the Consumer Affairs Division and it is determined that the product should be returned for Warranty Service, please mail the product to: Lehigh, 2834 Schoeneck Rd, Macungie, PA 18062-9679.

Free Manuals Download Website

<http://myh66.com>

<http://usermanuals.us>

<http://www.somanuals.com>

<http://www.4manuals.cc>

<http://www.manual-lib.com>

<http://www.404manual.com>

<http://www.luxmanual.com>

<http://aubethermostatmanual.com>

Golf course search by state

<http://golfingnear.com>

Email search by domain

<http://emailbydomain.com>

Auto manuals search

<http://auto.somanuals.com>

TV manuals search

<http://tv.somanuals.com>