

# SMOKE ALARM

CAT. **SA303B/SA305B**



## DUAL IONIZATION

Dual Ionization sensing chamber. Generally more effective at detecting small particles produced by flaming fires. Sources may include paper or kitchen grease.

## SILENCE FEATURE

Silences and tests alarm with a single button.

## TWO LOCKING FEATURES

Pins are provided to lock battery drawer and/or alarm to base. Perfect for apartment, dormitory or hotel applications.

## EASY ACCESS BATTERY DRAWER

## APPROVED FOR RV USE

*Available in the following versions:*

SA303B Carbon Zinc Battery  
SA305B Long Life Lithium Battery



# First Alert®

## 9V Battery Powered

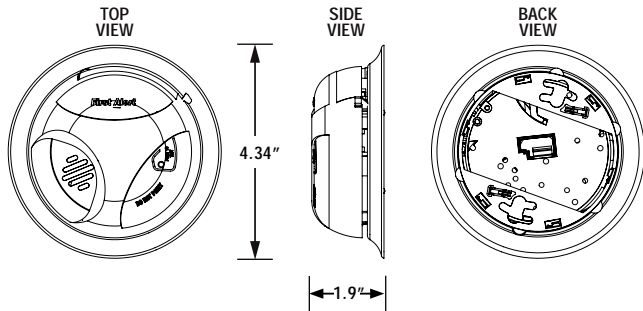
### Description:

First Alert Model SA303 (cat no. SA303B and SA305B) are battery operated single station ionization sensor smoke alarms specifically designed for residential and institutional applications including sleeping rooms of hospitals, hotels, motels, dormitories, and other multifamily dwellings as defined in standard NFPA 101. Model SA303 has been fully tested and complies with, UL217, CSFM, NFPA 72, and NFPA 101 and other agencies that model their codes after the above agencies. They meet building codes where battery operated ionization sensor with silence smoke alarms are required and with model building codes published by the ICC. SA305B meets codes where a removable lithium battery powered alarm is required.

First Alert Model SA303 is a state of the art smoke alarm designed to provide early warning of a fire. It features a dual ionization smoke sensing chamber, an 85dB horn, a supervised 9V carbon zinc battery power supply for cat no. SA303B and a lithium battery power supply for cat no. SA305B, a single button test/silence switch, a silence feature to silence unwanted nuisance alarms, a red LED light that indicates DC power or alarm. It also features tamper resistant locking pins that lock the alarm to the mounting bracket and/or the battery drawer to prevent removal of battery. Battery installation and removal can occur while the unit is mounted to the ceiling or wall via the swing open battery drawer. When battery power drops to a pre-set warning level, the horn will "chirp" approximately once per minute to indicate a fresh battery is needed. Designed for wall or ceiling mounting. Includes mounting anchors and screws. Both cat no.'s are approved for use in recreational vehicles.



# CAT. SA303B/SA305B



## TECHNICAL SPECS

Alarm Dimensions:	4.34" dia x 1.9"H
Weight:	6.8 oz.
Operating Voltage:	9V Battery Powered (SA303B carbon zinc; SA305B lithium)
Temperature Range:	40F (4C) to 100F (38C)
Humidity Range:	10% to 90% relative humidity (RH)
Audio Alarm:	85dB at 10 feet
Test/Silence:	Electronically simulates smoke condition, causing the unit to alarm
Manual:	Press and hold test/silence button
Alarm Reset:	Automatic when smoke clears
Smoke Sensor:	Dual Ionization
Indicator Lights/Sounds:	
DC Power:	Intermittent Red Light
Alarm:	Audio alarm, rapidly flashing red light
Listing:	UL to UL217 Standard

## ARCHITECTURAL AND ENGINEERING SPEC

The smoke alarm shall be a First Alert Model SA303 (cat no. SA303B and SA305B) and shall provide at a minimum the following features and functions:

1. A dual ionization sensing chamber.
2. The unit shall be capable of self restoring.
3. A fully screened sensing chamber to resist entry of small insects thereby reducing the probability of unwanted alarms.
4. Powered by a supervised 9V battery and a solid state piezo horn rated at 85dB at 10 ft. Cat no. SA303B features a carbon zinc battery and cat no. SA305B features a lithium battery.
5. A visual LED power-on indicator to confirm unit is receiving power or is in alarm.
6. A full function test button. The test button should check all alarm functions by stimulating the chamber to simulate a smoke condition, causing the unit to alarm and also has a silence feature to silence unwanted nuisance alarms.
7. Two Locking features - tamper resistant locking pins that lock battery drawer and/or alarm to mounting bracket.
9. The unit shall be capable of operating between 40°F (4°C) and 100°F (38°C) and relative humidity between 10% and 90%.
10. The unit shall contain mounting hardware and shall be listed for wall or ceiling mounting.
11. The unit shall at a minimum meet the requirements of UL217, CSFM, NFPA 72, NFPA 101, ICC.
12. The unit shall be suitable for use in Recreational Vehicles.

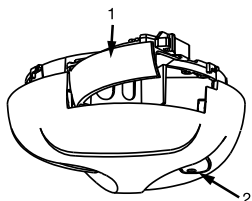
## SHIPPING SPECS:

Individual Carton Dimensions	5.65 "L x 2.03"W x 5.46"H
Weight	0.54 lbs.
Cube	0.036 ft3
UPC	SA303B: 0 29054 00095 8 SA305B: 0 29054 12310 7
Master Carton Dimensions	13.125"L x 5.810"W x 12.130"H
Master Pack	12
Weight	7.0 lbs.
Cube	0.535 ft3
UPC	SA303B: 100 29054 00095 5 SA305B: 100 29054 12310 4
Pallet Information	
Cases per Layer	25
Number of Layers	3
Cases per Pallet	755
Units per Pallet	900
Cube	47.3 ft3
Weight	590 lbs.

## INSTALLATION OF ALARM

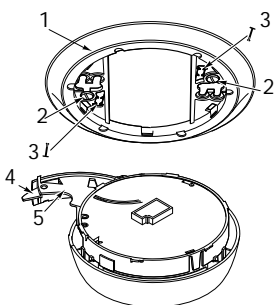
Installation of this smoke alarm must conform to NFPA 72. Always check your local building codes. Follow all instructions for placement as outlined in the user's manual.

### THE PARTS OF THIS SMOKE ALARM



#### TOP OF ALARM

1. Battery Compartment
2. Test/Silence Button & Red Alarm Light



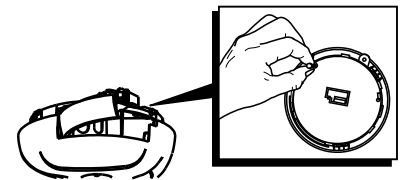
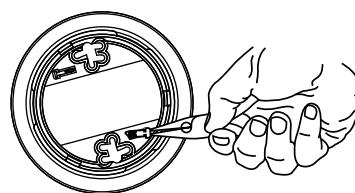
#### BOTTOM OF ALARM

1. Mounting bracket
2. Mounting slots (1 of 2)
3. Locking Pins
4. Battery Drawer Latch
5. Battery Drawer - Install 9V battery here

### BATTERY DRAWER LOCK

Remove Pin

Push locking pin through hole near battery drawer on the back of the alarm.



**BRK**  
THE PROFESSIONAL STANDARD  
brkelectronics.com

©2009 BRK Brands, Inc. a Jarden Corporation  
Company (NYSE: JAH)  
3901 Liberty Street Road  
Aurora, IL 60504-8122  
All rights reserved

First Alert is a registered trademark of the First Alert Trust  
BRK is a registered trademark of BRK Brands, Inc.  
CM2910

## Free Manuals Download Website

<http://myh66.com>

<http://usermanuals.us>

<http://www.somanuals.com>

<http://www.4manuals.cc>

<http://www.manual-lib.com>

<http://www.404manual.com>

<http://www.luxmanual.com>

<http://aubethermostatmanual.com>

Golf course search by state

<http://golfingnear.com>

Email search by domain

<http://emailbydomain.com>

Auto manuals search

<http://auto.somanuals.com>

TV manuals search

<http://tv.somanuals.com>