

ELBA

BY FISHER & PAYKEL

Ceramic glass cooktops
CE302 and CE604 models

**Installation instructions
and User guide**

Safety and warnings	2
Installation instructions	6
Introduction	14
Using your cooktop	15
Cooking guidelines	16
Care and cleaning	18
Troubleshooting	20
Warranty and service	21

Important!

SAVE THESE INSTRUCTIONS

The models shown in this user guide may not be available in all markets and are subject to change at any time. For current details about model and specification availability in your country, please visit our local website listed on the back cover or contact your local Fisher & Paykel dealer.

2 Safety and warnings

Your safety is important to us. Please read this information before using your cooktop.

Installation

WARNING!



Electrical Shock Hazard

Disconnect the appliance from the mains electricity supply before carrying out any work or maintenance on it.
Connection to a good earth wiring system is essential and mandatory.
Alterations to the domestic wiring system must only be made by a qualified electrician.

Failure to follow this advice may result in electrical shock or death.

WARNING!



Cut Hazard

Take care – panel edges are sharp.

Failure to use caution could result in injury or cuts.

Important safety instructions

- *Read these instructions carefully before installing or using this appliance.*
- *No combustible material or products should be placed on this appliance at any time.*
- *Please make this information available to the person responsible for installing the appliance as it could reduce your installation costs.*
- *In order to avoid a hazard, this appliance must be installed according to these instructions for installation.*
- *This appliance is to be properly installed and earthed only by a suitably qualified person.*
- *This appliance should be connected to a circuit which incorporates an isolating switch providing full disconnection from the power supply.*
- *Failure to install the appliance correctly could invalidate any warranty or liability claims.*

Operation and maintenance

! WARNING!**Electrical Shock Hazard**

Do not cook on a broken or cracked cooktop. If the cooktop surface should break or crack, switch the appliance off immediately at the mains power supply (wall switch) and contact a qualified technician.

Switch the cooktop off at the wall before cleaning or maintenance.

Failure to follow this advice may result in electrical shock or death.

! WARNING!**Fire Hazard**

Never leave the appliance unattended when in use. Boilover causes smoking and greasy spillovers that may ignite.

Never use your appliance for warming or heating the room.

Failure to follow this advice may result in overheating, burning and injury.

! WARNING!**Hot Surface Hazard**

During use, accessible parts of this appliance will become hot enough to cause burns.

Do not let body, clothing or any item other than suitable cookware contact with the ceramic glass until the surface is cool.

Never leave metal objects on the cooktop as they can become hot very quickly.

Keep children away.

Handles of saucepans may be hot to touch. Check saucepan handles do not overhang other cooking zones that are on. Keep handles out of reach of children.

Failure to follow this advice could result in burns and scalds.

! WARNING!**Cut Hazard**

The razor-sharp blade of a cooktop scraper is exposed when the safety cover is retracted. Use with extreme care and always store safely and out of reach of children.

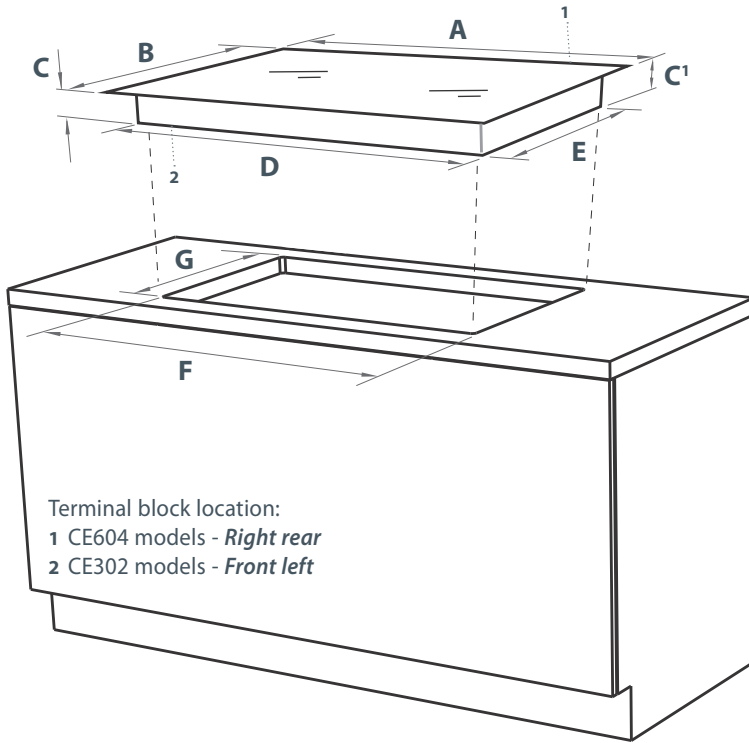
Failure to use caution could result in injury or cuts.

Important safety instructions

- *Never use your appliance as a work or storage surface.*
- *Never leave any objects or utensils other than suitable cookware on the appliance.*
- *Do not allow children to play with the appliance or sit, stand or climb on it.*
- *Do not store items of interest to children in cabinets above the appliance. Children climbing on the cooktop could be seriously injured.*
- *Do not leave children alone or unattended in the area where the appliance is in use.*
- *Children or persons with a disability which limits their ability to use the appliance should have a responsible and competent person to instruct them in its use. The instructor should be satisfied that they can use the appliance without danger to themselves or their surroundings.*
- *Do not repair or replace any part of the appliance unless specifically recommended in the manual. All other servicing should be done by a qualified technician.*
- *Do not use a steam cleaner to clean your cooktop.*
- *Do not place or drop heavy objects on your cooktop.*
- *Do not stand on your cooktop.*
- *Do not use pans with jagged edges or drag pans across the ceramic glass surface as this can scratch the glass.*
- *Do not use scourers or any other harsh/abrasive cleaning agents to clean your cooktop, as these can scratch the ceramic glass.*
- *If the power supply cable is damaged, it must only be replaced by a qualified technician.*
- *Do not operate your cooktop by means of an external timer or separate remote-control system.*

Cooktop and cutout dimensions

Drawings for illustration purposes only

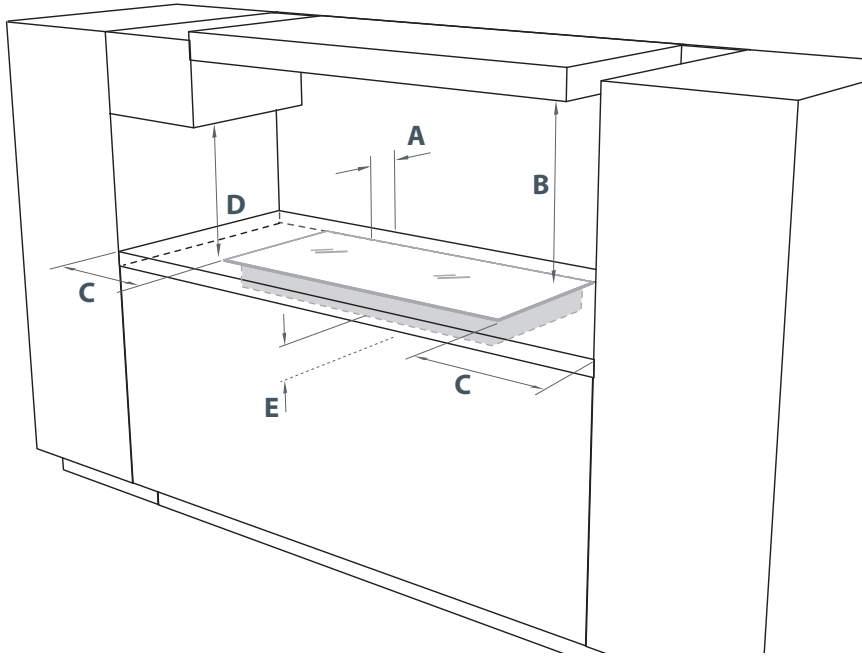


Cooktop and cutout dimensions (mm)

		CE302	CE604
A	overall width of cooktop	300	578
B	overall depth of cooktop	510	511
C	height of chassis (below top of bench)	45	52
C'	height of chassis incl. terminal block (below top of bench)	63	52
D	width of chassis	267	553
E	depth of chassis	483	483
F	overall width of cutout	270	560
G	overall depth of cutout	490	490

Clearances

Drawings for illustration purposes only



Clearances (mm)

		CE302	CE604
A	minimum clearance from rear edge of cutout to: nearest combustable surface	55	55
B	minimum clearance from glass surface to: rangehood	650	650
C	minimum clearance from side edges of cutout to: nearest combustable surface	65	85
D	minimum clearance from benchtop to: overhead cabinet not directly above the cooktop	450	450
E	minimum clearance below top of benchtop to: thermal protection barrier	65	92

Before you install the cooktop, make sure that

- the benchtop is square and level, and no structural members interfere with space requirements
- the benchtop is made of a heat-resistant material
- the cooktop will not be installed directly above a dishwasher, as the humidity may damage the cooktop
- the installation will comply with all clearance requirements and applicable standards and regulations
- a suitable isolating switch providing full disconnection from the mains power supply is incorporated in the permanent wiring, mounted and positioned to comply with the local wiring rules and regulations. The isolating switch must be of an approved type and provide a 3 mm air gap contact separation in all poles (or in all active [phase] conductors if the local wiring rules allow for this variation of the requirements)
- the isolating switch will be easily accessible to the customer with the cooktop installed
- you consult local building authorities and by-laws if in doubt regarding installation
- you use heat-resistant and easy-to-clean finishes (such as ceramic tiles) for the wall surfaces surrounding the cooktop.

When you have installed the cooktop, make sure that

- the power supply cable is not accessible through cupboard doors or drawers
- there is adequate flow of fresh air from outside the cabinetry to the base of the cooktop
- if the cooktop is installed directly above an oven or its base is accessible through a cupboard or drawer space after installation, a thermal protection barrier is installed below the base of the cooktop (see Figs.1a and 1b).
- the isolating switch is easily accessible by the customer
- you complete the 'Final checklist' at the end of these installation instructions.

The thermal protection barrier must be:

- removable
- heat-resistant
- made from low thermal conductivity material
- at least 40 mm (CE604) or 20 mm (CE302) below the base of the cooktop to ensure adequate ventilation

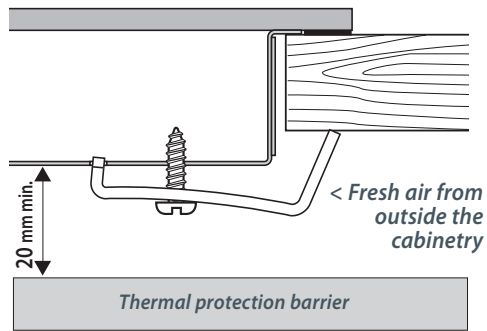


Fig. 1a Minimum clearance below cooktop base - CE302 models

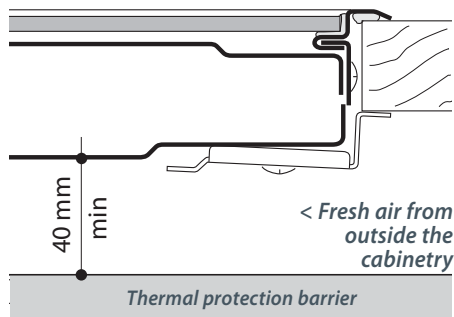


Fig. 1b Minimum clearance below cooktop base - CE604 models

Fastening the cooktop to the bench (CE302 models)

- 1 Turn the cooktop upside down and place it on a soft surface.
- 2 Spread the seal around the edges of the ceramic glass with the adhesive side facing down, making sure that the whole perimeter is sealed. Cut off any excess material.
- 3 Mount the supplied clamps (A) and screws (B) onto the cooktop, as shown (without tightening the screws).
- 4 Place the cooktop into the cutout, then tighten the screws to clamp the cooktop securely to the bench.
- 5 Using a sharp cutter or trimmer knife, trim the excess sealing material around the edge of the cooktop. Take care not to damage the benchtop.

Note: if your bench is thicker than 40 mm, recess the underside to between 30 and 40 mm.

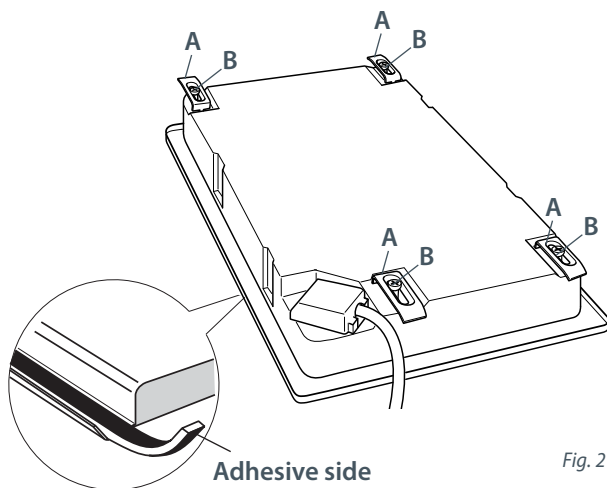


Fig. 2 Preparing the cooktop before installation

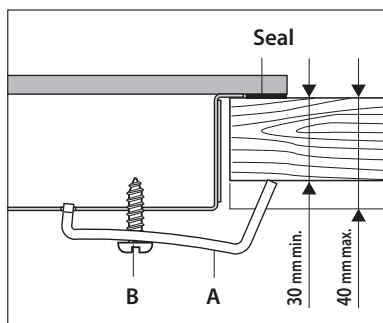


Fig. 3 Fastening the cooktop to the bench

Fastening the cooktop to the bench (CE604 models)

- 1 Turn the cooktop upside down and place it on a soft surface.
- 2 Spread the seal around the edges of the cooktop with the adhesive side facing down, making sure that the whole perimeter is sealed but the ends do not overlap. Cut off any excess material.
- 3 Place the cooktop into the cutout and position it correctly.
- 4 Adjust the clamps according to the benchtop thickness (see Fig.5), then tighten the fixing screws until the cooktop is firmly secured.
- 5 Using a sharp cutter or trimmer knife, trim the excess sealing material around the edge of the cooktop. Take care not to damage the benchtop.

Note: if your bench is thicker than 40 mm, recess the underside to 30 or 40 mm.

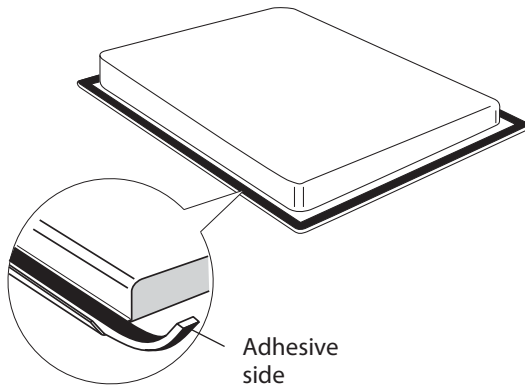


Fig. 4 Applying the adhesive seal around the edges of the cooktop

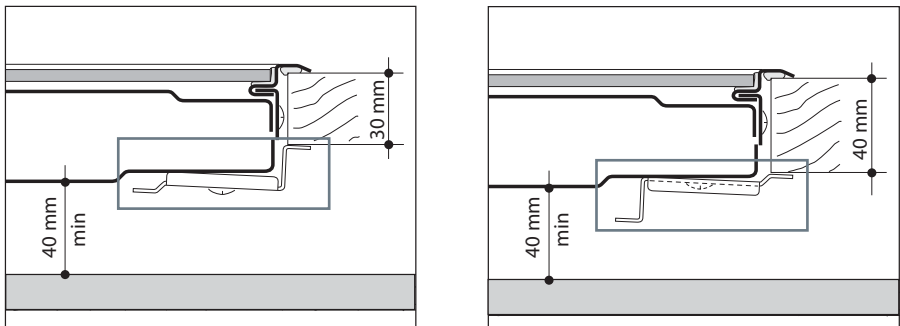


Fig. 5 Clamp adjustments depending on bench thickness

Connecting the cooktop to the mains power supply

Important!

- *This cooktop must be connected to the mains power supply only by a suitably qualified person.*
- *This cooktop must be earthed.*
- Before connecting the cooktop to the mains power supply, check that:
 - 1 the domestic wiring system is suitable for the power drawn by the cooktop
 - 2 the voltage corresponds to the value given on the rating plate
 - 3 the power supply cable sections can withstand the load specified on the rating plate.
- To connect the cooktop to the mains power supply, do not use adapters, reducers, or branching devices, as they can cause overheating and fire.
- The power supply cable must not touch any hot parts and must be positioned so that its temperature will not exceed 75°C at any point.

Power supply

CE302 3000W @ 220-240V ~ (13 A)

CE604 6000-6500 W @ 230-240/400-415V 3N~ (26-27 A)

Important!

Check with an electrician whether the domestic wiring system is suitable without alterations. Any alterations must only be made by a qualified electrician.

To connect the power supply cable to the cooktop (CE604 models only) (Fig. 6)

- 1 Unscrew shield 'A' at the bottom of the cooktop.
- 2 Position the U-bolts 'C' onto terminal board 'B', according to the connection diagrams below.
- 3 Feed the cable through the hole in shield 'A'.
- 4 Connect the phase wires to terminal board 'B' according to the relevant connection diagram below, and connect the earth wire to clamp 'PE'.
- 5 Tighten the cable and fix it with cable clamp 'E'.
- 6 Refit shield 'A'.

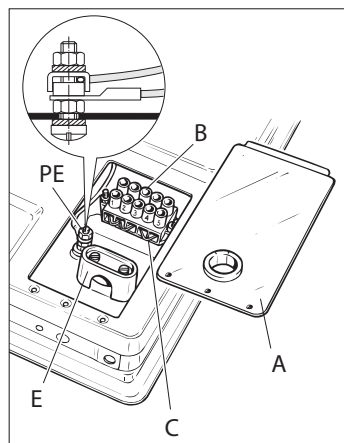
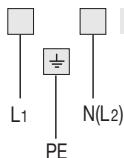


Fig. 6 Connecting the power supply cable-CE604 models

Connection diagrams

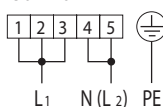
CE302 models



CE604 models

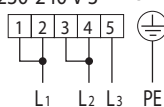
Single-phase connection

230-240 V ~



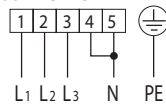
Two-phase connection

230-240 V 3 ~



Three-phase connection

400-415 V 3N ~



Final checklist

TO BE COMPLETED BY THE INSTALLER



- Is the cooktop earthed?
- Check that the power supply cable is NOT touching the base of the cooktop. This will ensure that the cable is not damaged by heat from the cooktop.
- Check that the power supply cable is not accessible via cupboard doors or drawers.
- Is the cooktop clamped down securely?
- Check that all the cooking zones function correctly. Turn on all of them to a high setting and leave them on for at least one minute. Are all elements glowing?
- Is the 'Cooking zone On' indicator light functioning when you turn a cooking zone on? Turn all the cooking zones on individually to check.
- To check that the 'Hot surface' indicator functions correctly, turn off all the cooking zones. Is the 'Hot surface' indicator light functioning?
- Have you shown the customer how to use the cooktop? Make sure you explain to the customer about the 'Hot surface' indicator. Encourage them to read the full user guide before using the cooktop.

Installer's name: _____

Installer's signature: _____

Installation company: _____

Date of installation: _____

LEAVE THESE INSTRUCTIONS WITH THE CUSTOMER

About your new cooktop

Thank you for buying an ELBA by Fisher & Paykel ceramic glass cooktop. This guide introduces you to all its features. We recommend you read the whole guide before using your new cooktop, for both safety and cooking success.

For more information, visit our local website listed on the back cover.

Before using your new cooktop

- Read this user guide, taking special note of the 'Safety and warnings' section.
- Remove any protective film that may still be on your cooktop.

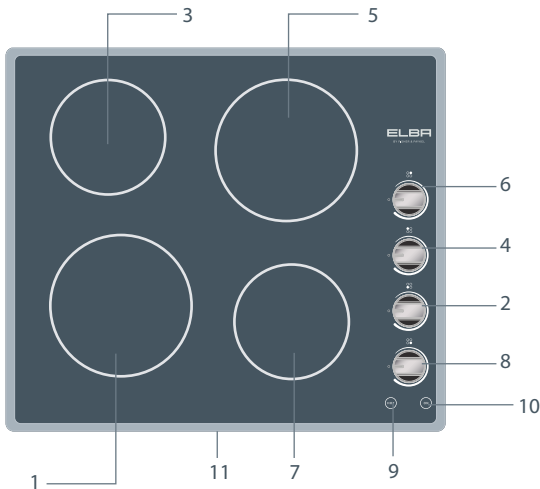


Fig.7 Cooktop layout (CE604 models)

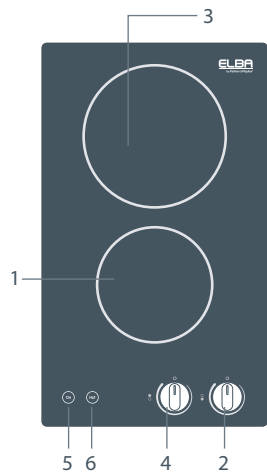


Fig.8 Cooktop layout (CE302 models)

- 1 Left front cooking zone
- 2 Left front cooking zone control knob
- 3 Left rear cooking zone
- 4 Left rear cooking zone control knob
- 5 Right rear cooking zone
- 6 Right rear cooking zone control knob
- 7 Right front cooking zone
- 8 Right front cooking zone control knob
- 9 'Hot surface' indicator light
- 10 'Cooking zone On' indicator light
- 11 Trim

- 1 Front cooking zone
- 2 Front cooking zone control knob
- 3 Rear cooking zone
- 4 Rear cooking zone control knob
- 5 'Cooking zone On' indicator light
- 6 'Hot surface' indicator light

- The cooking zones become red when turned on full.
- Whenever a cooking zone is turned on, the 'Cooking zone On' indicator light will glow.
- When a cooking zone is turned off, the 'Hot surface' indicator light will glow until the glass becomes cool enough to be safely touched.

Cooking zone controls

- To begin cooking, turn the control knob of the cooking zone you wish to use to the High setting, then adjust as necessary.
- For further advice, see 'Cooking guidelines' following.
- When you have finished cooking, turn the knob to the off (O) position.
- When you have finished using your cooktop, make sure that all knobs are turned off and the 'Cooking zone On' indicator is unlit.

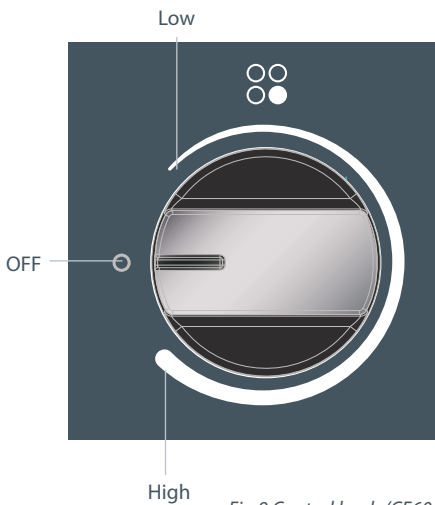


Fig.9 Control knob (CE604)

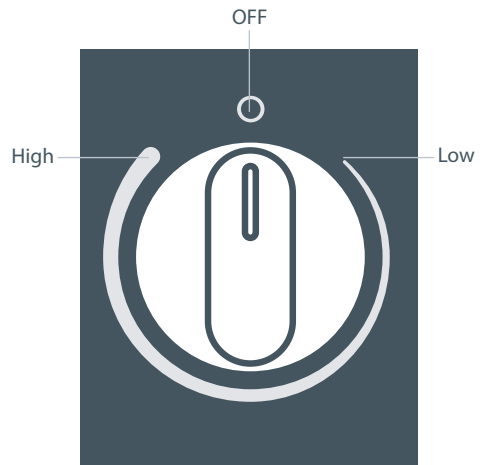
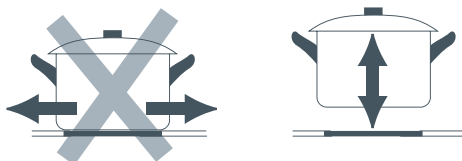
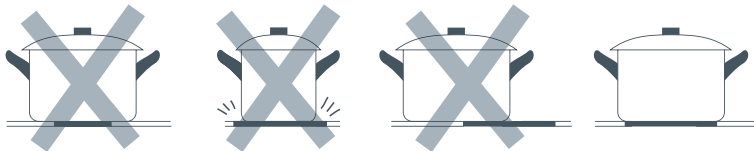
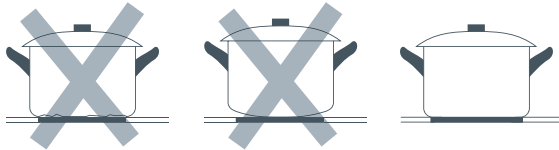


Fig.10 Control knob (CE302)

Cookware

- Use heavy-gauge, flat, smooth-based cookware that matches the diameter of the cooking zone. This will provide good contact with the glass and help reduce cooking times. Low heat or slow cooking is often due to incorrect cookware size.
- Cookware with a stainless steel sandwich base or enamelled cast iron will give you the best results.
- Saucepans or heavy frying pans with jagged edges or a rough base will scratch the glass.
- Always lift pans off the cooktop - do not slide, or they may scratch the glass.
- Never use plastic or aluminium foil dishes on the cooktop.
- Aluminium and copper-based cookware will leave metallic stains on the cooktop. To prevent these building up, clean the cooktop after every use following the instructions in 'Care and cleaning'. If the metallic stains are allowed to burn onto the surface, they may react with the glass and may no longer be removable. They don't, however, affect performance.
- It is safe to place hot cookware from the oven, or another cooking zone, on the glass surface when the surface is cool.
- Avoid placing anything on a hot cooking zone until it has cooled completely.



Important!

- *Never leave the appliance unattended when in use. Boilover causes smoking and greasy spillovers that may ignite.*
- *Take care when deep-frying: oil or fat can overheat very quickly, particularly on a high setting.*

General cooking tips

- Using a lid will reduce cooking times through retaining the heat.
- Minimise the amount of liquid to reduce cooking times.
- Start cooking on a high setting and reduce it when the food has come to the boil or heated through.
- Even after a cooking zone has been turned off, its glass surface retains enough heat to continue cooking. To avoid overcooking, remove pans from hot cooking zones when the food is cooked.

Cooking rice, simmering

- Some tasks, including cooking rice by the absorption method, may require a setting higher than the lowest setting to ensure the food is cooked properly in the time recommended.
- Simmering occurs below boiling point, when bubbles are just rising occasionally to the surface of the cooking liquid. It's the key to delicious soups and tender stews because the flavours develop without overcooking the food. Egg-based sauces are best kept below boiling point throughout cooking, and flour-based sauces should also be gently simmered after they have reached boiling point.

Searing steak

- 1 Stand the meat at room temperature for about 20 minutes before cooking.
- 2 Heat up a heavy-based frying pan.
- 3 Brush both sides of the steak with oil and season it to taste.
- 4 Lower the meat onto the hot pan.
- 5 Turn the steak only once during cooking. The exact cooking time will depend on the thickness of the steak and how cooked you want it. Times vary between 2 to 8 minutes per side. Press the steak to gauge how cooked it is: the firmer it feels, the more 'well done' it will be.
- 6 Leave the steak to rest on a warm plate for a few minutes to allow it to relax and become tender before serving.

Important!

- *For your safety, switch the power to the cooktop off at the wall before any cleaning. In this case, there will be no 'Hot surface' indication, but the cooking zones may still be hot! Take extreme care.*
- *Do not use a steam cleaner to clean your cooktop.*
- *Do not use scourers or any harsh/abrasive cleaning agents to clean your cooktop, as these can scratch the ceramic glass or stainless steel.*

What?	How?	Important!
<ul style="list-style-type: none"> ▪ soiling examples <p>Light soiling on glass after every use</p> <ul style="list-style-type: none"> ▪ fingerprints and marks ▪ stains left by non-sugary liquids (eg water, soup, oil) 	<ol style="list-style-type: none"> 1 Wipe with a soft, damp cloth and mild detergent. A microfibre or 'glass' cloth is ideal for this. 2 Wipe dry with a clean cloth or paper towel. 	<ul style="list-style-type: none"> ▪ <i>Before cleaning, make sure that the glass is a safe temperature to touch.</i>
<p>Non-sugary boilovers, spills and food stains on glass</p> <ul style="list-style-type: none"> ▪ burnt-on food or grease ▪ pasta water, milk, soup 	<ol style="list-style-type: none"> 1 Remove the soiling with ceramic cooktop cleaner using a sponge or non-abrasive scourer suitable for ceramic glass. 2 Remove any excess cleaner and wipe dry with a clean cloth or paper towel. 3 Apply ceramic cooktop conditioner or protector following the instructions on the dispenser. A microfibre or 'glass' cloth is ideal for this. 	<ul style="list-style-type: none"> ▪ <i>Heavy-duty scourers, some nylon scourers and harsh/abrasive cleaning agents may scratch the glass. Always read the label to check if your cleaner or scourer is suitable.</i> ▪ <i>Never leave cleaner residue on the cooktop: the glass may become stained.</i>

What?	How?	<i>Important!</i>
<ul style="list-style-type: none"> ▪ soiling examples 		
<p>Hot sugary spills, melted plastic or metal on glass</p> <ul style="list-style-type: none"> ▪ sugar, sugary syrups ▪ jams and jellies ▪ vegetables or vegetable water with high sugar content (peas, sweetcorn, beetroot) ▪ melted aluminium foil or plastic wrap 	<p>Remove these immediately with a spatula or razor blade scraper suitable for ceramic glass cooktops, but beware of hot spills and surfaces:</p> <ol style="list-style-type: none"> 1 Hold the blade or utensil at a 30° angle and scrape the soiling or spill to a cool area of the cooktop. 2 Immediately clean the soiling up with a dish cloth or paper towel. 3 Follow the instructions for 'Light soiling on glass after every use' above. 	<ul style="list-style-type: none"> ▪ <i>Remove stains left by melts and sugary food or spillovers immediately. If left to cool on the glass, they may be difficult to remove or even permanently damage the glass surface.</i> ▪ <i>Cut hazard: the blade in a scraper is razor-sharp when the safety cover is retracted. Use with extreme care and always store safely out of reach of children.</i>
<p>Metallic stains on glass caused by cookware with</p> <ul style="list-style-type: none"> ▪ copper base ▪ aluminium base 	<ul style="list-style-type: none"> ▪ Follow the instructions for 'Non-sugary boilovers, spills and food stains on glass' above. ▪ For stubborn metallic stains, try using a razor blade scraper suitable for ceramic glass cooktops, holding it at a 30° angle. 	<ul style="list-style-type: none"> ▪ <i>If the cooktop is not cleaned after every use and copper or aluminium stains are allowed to burn onto the surface, they may react with the glass and no longer be removable. They don't, however, affect performance.</i>
<p>Surround strip (CE604 models only)</p> <ul style="list-style-type: none"> ▪ food stains ▪ fingerprints and marks 	<ol style="list-style-type: none"> 1 Wipe the soiling off with a cloth using a mild household detergent. 2 Wipe the surface dry using a microfibre cloth. <ul style="list-style-type: none"> ▪ On models with a brushed stainless steel surround strip, you may also use a suitable stainless steel cleaner and polish. 	<ul style="list-style-type: none"> ▪ <i>Immediately wipe off any stainless steel cleaner if it is spilled onto the control knobs.</i> ▪ <i>Commercial stainless steel cleaners containing chlorine compounds are corrosive and may damage the appearance of your cooktop. Always read the label to check if your cleaner contains chlorine.</i>
<p>Control knobs</p> <ul style="list-style-type: none"> ▪ food stains ▪ fingerprints and marks 	<ol style="list-style-type: none"> 1 Wipe with a damp cloth and mild detergent. 2 Dry thoroughly with a soft cloth. 	<ul style="list-style-type: none"> ▪ <i>Do not use stainless steel cleaner on the knobs, as doing so may damage their coating.</i>

Troubleshooting chart

Problem	Possible causes	What to do
Cooking zones cannot be turned on.	No power.	Make sure the cooktop is connected to the power supply and that it is switched on at the wall. Check whether there is a power outage in your home or area. If you've checked everything and the problem persists, call your Authorised Repairer or Customer Care.
Cooking zones cannot be turned off.	Technical fault	Switch the power to the cooktop off at the wall and call your Authorised Repairer or Customer Care.
Cooking zones seem to turn themselves off and on during use.	They cycle off and on to maintain the selected setting or prevent the glass from overheating.	This is normal and needs no action.
There is a metal sheen on the glass.	Cookware with copper or aluminium base.	See 'Care and cleaning'.
The glass is being scratched.	Rough-edged cookware.	Use cookware with flat and smooth bases. See 'Cooking guidelines'.
	Unsuitable, abrasive scourer being used.	See 'Care and cleaning'.

Before you call for service or assistance ...

Check the things you can do yourself. Refer to the installation instructions and your user guide and check that:

- 1 your product is correctly installed
- 2 you are familiar with its normal operation.

If after checking these points you still need assistance or parts, please refer to the Service & Warranty book for warranty details and your nearest Authorised Repairer, Customer Care, or contact us through our local website listed on the back cover.

This cooktop has been designed and constructed in accordance with the following codes and specifications:

In New Zealand and Australia:

AS/NZS 60335-1 General Requirements for Domestic electrical appliances

AS/NZS 60335-2-6 Particular Requirements for Domestic electrical cooking appliances

AS/NZS CISPR 14.1: 2010 Electromagnetic Compatibility Requirements.

Product details

Fisher & Paykel Ltd

Model _____ **Serial No.** _____

Date of Purchase _____ **Purchaser** _____

Dealer _____ **Suburb** _____

Town _____ **Country** _____

www.elba.co.nz
www.elba.com.au

ELBA

BY FISHER & PAYKEL

Copyright © Fisher & Paykel 2012. All rights reserved.

The product specifications in this booklet apply to the specific products and models described at the date of issue. Under our policy of continuous product improvement, these specifications may change at any time. You should therefore check with your Dealer to ensure this booklet correctly describes the product currently available.

Free Manuals Download Website

<http://myh66.com>

<http://usermanuals.us>

<http://www.somanuals.com>

<http://www.4manuals.cc>

<http://www.manual-lib.com>

<http://www.404manual.com>

<http://www.luxmanual.com>

<http://aubethermostatmanual.com>

Golf course search by state

<http://golfingnear.com>

Email search by domain

<http://emailbydomain.com>

Auto manuals search

<http://auto.somanuals.com>

TV manuals search

<http://tv.somanuals.com>