

## **Installation instructions and User guide**

### **Gas cooktops**

CG365D & CG365C models

## **Instructions d'installation et Guide d'utilisation**

### **Table de cuisson au gaz**

Modèles CG365D et CG365C

US CA

## **WARNING!**

If the information in this manual is not followed exactly, a fire or explosion may result causing property damage, personal injury or death.

Do not store or use gasoline or other flammable vapors and liquids in the vicinity of this or any other appliance.

**NEVER** use this appliance as a space heater to heat or warm the room. Doing so may result in carbon monoxide poisoning and overheating of the appliance.

### **WHAT TO DO IF YOU SMELL GAS**

- **Do not try to light any appliance.**
- **Do not touch any electrical switch.**
- **Do not use any phone in your building.**
- **Immediately call your gas supplier from a neighbor's phone. Follow the gas supplier's instructions.**
- **If you cannot reach your gas supplier, call the fire department.**

Installation and service must be performed by a qualified installer, service agency or the gas supplier.

Safety and warnings	2
Installation instructions	8
Introduction	18
Using your cooktop	19
Cookware	21
Care and cleaning	23
Frequently asked questions	25
Troubleshooting	26
Warranty and service	27

## ***Important!***

### **SAVE THESE INSTRUCTIONS**

*The models shown in this document may not be available in all markets and are subject to change at any time. For current details about model and specification availability in your country, please visit our local website listed on the back cover or contact your local Fisher & Paykel dealer.*

## Installation

**⚠ WARNING!****Electrical Shock Hazard**

Disconnect product from the mains power supply before servicing. This appliance is equipped with a three-prong grounding plug for your protection against shock hazard and should be plugged directly into a properly grounded power outlet. Do not under any circumstances cut or remove the grounding prong from this plug.

Failure to follow this advice may result in electrical shock or death.

**⚠ WARNING!****Cut Hazard**

Take care - panel edges are sharp.  
Use polystyrene end caps when carrying the product.

Failure to use caution could result in injury or cuts.

## ***Important safety instructions!***

- *This appliance shall be installed in accordance with the installation requirements of the local gas authority or the appropriate installation code or in the absence of local codes with the latest National Fuel Gas Code ANSI Z223.1 or CAN/CSA B149.1,2 (Canada). Local building and electrical codes must be adhered to.*
- *Electrical installation must be in accordance with the National Electrical Code, ANSI/NFPA70 - latest edition or CSA C22.1 (Canada) and/or local codes.*
- *Installation in manufactured (mobile) home: installation must conform with the Manufactured Home Construction and Safety Standard, Title 24 CFR, Part 3280 [formerly the Federal Standard for Mobile Home Construction and Safety, Title 24, HUD (Part 280)] or, when such standard is not applicable, the Standard for Manufactured Home Installations, ANSI/NCSBCS A225.1, or with local codes where applicable.*
- *Installation in Recreational Park Trailers: installation must conform with state or other codes or, in the absence of such codes, with the Standard for Recreational Park Trailers, ANSI A119.5.*
- *Do not remove permanently affixed labels, warnings, or plates from the product. This may void the warranty.*
- *Flexible appliance connectors shall meet the requirements of ANSI Z21.24 and State Boards. They shall not exceed 36 inches in length.*
- *In order to avoid hazard, these appliances must be installed according to these instructions.*

- *This appliance must be installed by an authorized person (Warning: this appliance must be installed by a licensed plumber or gas fitter when within the Commonwealth of Massachusetts).*
- *Please make this information available to the person installing the appliance as it could reduce your installation costs.*
- *Please leave these instructions with the appliance. Inform the customer to retain for future reference and for the local inspectors' use.*
- *Failure to install the appliance correctly could invalidate any warranty or liability claims.*
- *Only genuine replacement parts may be used for servicing the appliance. These are available from your nearest Fisher & Paykel Service Center.*
- *This product should not be sealed into the countertop with silicone or glue. This will make any future servicing difficult. Fisher & Paykel will not be liable for costs associated with releasing such products, nor for damage incurred as a result.*
- *This product is supplied with an additional label containing the model and serial numbers. It may be affixed to the underside of the product, the inside of a cupboard or to this manual.*

## Operation and maintenance

Your safety is important to us. Please read this information before using your appliance.

### ⚠ WARNING!



#### Explosion Hazard

Do not use water on grease fires. A violent steam explosion may result. Smother fire or flame or use dry chemical or foam type extinguisher. Do not use the appliance to heat unopened food containers, such as cans. This will cause the container to burst and could result in injury. Do not store flammable materials such as gasoline near the appliance. Do not spray aerosols in the vicinity of this appliance while it is in operation. Failure to follow this advice may result in death or injury.

### ⚠ WARNING!



#### Poisoning Hazard

Clean the appliance with caution. If a wet sponge or cloth is used to wipe spills on a hot cooking area, be careful to avoid steam burn. Some cleaners can produce noxious fumes if applied to a hot surface.

Never use this appliance as a space heater to heat or warm the room. Doing so may result in carbon monoxide poisoning and overheating of the appliance.

Failure to follow this advice may result in poisoning or death.

**! WARNING!****Electrical Shock Hazard**

Before doing any user maintenance, locate the wall power outlet and disconnect the appliance from the power supply and turn off the gas supply at the shut-off valve.

This appliance is equipped with a three-prong grounding plug for your protection against shock hazard and should be plugged directly into a properly grounded power outlet. Do not under any circumstances cut or remove the grounding prong from this plug.

Failure to follow this advice may result in electrical shock.

**! WARNING!****Hot Surface Hazard**

Do not touch burners or areas near burners. Burners may be hot even though they are dark in color. Burners and areas near burners may become hot enough to cause burns. To avoid risk of burns and/or fire, keep loose clothing, potholders or any other flammable materials well clear of the burner flame. Do not touch or let clothing, potholders or other flammable materials contact burners or areas near burners until they have had sufficient time to cool. Among these areas are the burners and grates.

Always use a dry potholder when removing cookware from the appliance. Do not use wet or damp potholders as these can cause steam burns. Do not use towels or similar cloths for removing cookware.

Do not leave children alone or unattended near the appliance. Never allow children to stand, sit or play near, on or with the appliance.

Be careful when reaching for items stored in cabinets over the appliance. Flammable materials could be ignited if brought in contact with flame or hot surfaces and may cause severe burns.

Failure to follow this advice could result in burns and scalds.

## ***Important safety instructions!***

- *Have your appliance installed and properly grounded by a qualified installer in accordance with the installation instructions.*
- *Ensure that a manual gas shut-off valve is installed in a location accessible after installation.*
- *Be sure to have the installer show you how to turn off the gas and electrical supply.*
- *Use this appliance only for its intended purpose as described in this user guide.*
- *Wear proper apparel. Loose fitting or hanging garments should never be worn while using the appliance.*
- *Turn the pot handles to the side or the back of the appliance away from the reach of children. Handles should not be positioned over adjacent burners.*
- *Always check that you have turned the burners off when you have finished cooking.*
- *Never leave the appliance unattended when in use. Boilover causes smoking and greasy spillovers that may ignite.*
- *Before using the appliance, ensure that all burners have been assembled correctly.*
- *Do not operate a burner without all burner parts in place.*
- *Always keep flammable wall coverings, curtains or drapes a safe distance from your appliance.*
- *For safety reasons, the burner flame size should be adjusted so it does not extend beyond the edge of the cookware.*
- *Use cookware of the appropriate size and construction for the type of cooking. This appliance is equipped with burners of different sizes. Cookware must be matched to the size of the burner. Select utensils with flat bottoms large enough to cover the burner flames. The use of undersize utensils will expose a portion of the burner flames to direct contact and may result in ignition of clothing. Proper relationship of utensil to burner will also improve efficiency.*
- *Do not stand on this gas appliance.*
- *For safety reasons, do not store items of interest to children above or at the back of the appliance - children climbing on the appliance to reach items could be seriously injured.*
- *When deep-frying in fat, be sure the pan is large enough not to cause an overflow from bubbling of the fat. Do not deep-fry foods with a high moisture content or food covered with frost.*
- *Do not let cooking grease or other flammable materials accumulate near the appliance.*
- *Do not repair or replace any part of the appliance unless specifically recommended in this user guide. All other servicing should be referred to a qualified technician.*
- *Glazed cooking utensils - only certain types of glass, glass/ceramic earthenware, or other glazed utensils are suitable for cooktop service without breaking due to sudden change in temperature.*
- *Do not use a steam cleaner to clean your cooktop.*



## ***Important safety instructions!***

- *If/When the appliance is converted for use with Natural Gas or LP/Propane Gas, make sure that you save the injectors removed from the appliance for future use. To convert to a different gas type, contact your service agent/gas fitter.*
- *Do not obstruct the flow of combustion and ventilation air to the appliance.*
- *The Governor of California is required to publish a list of substances known to the state of California to cause cancer or reproductive harm and requires businesses to warn customers of potential exposures to such substances.*

***WARNING!:*** *Gas appliances contain or produce substances which can cause death or serious illness and which are known to the State of California to cause cancer, birth defects or other reproductive harm. To reduce the risk from substances in fuel or from fuel combustion, make sure this appliance is installed, operated, and maintained according to the manufacturer's instructions.*

## Cabinet preparation

- Make sure that the countertop is flat and level and that no structural members interfere with space requirements.
- Make sure the countertop is made of a heat resistant material.
- We recommend that the exposed bare wood edges of the cutout be sealed with an oil based paint or moisture-proof polyurethane to prevent possible damage from moisture creeping between the cooktop trim and the countertop.

## Electrical

- Make sure that there is a power supply receptacle (110-120V 60Hz) within reach of the cooktop power supply cable (30" from the middle of the product). The power supply cable must not touch any hot metal parts.
- Make sure the cooktop is connected to a power supply socket that is electrically grounded in accordance with local codes or in the absence of local codes, with the National Electric Code ANSI/NFPA 70 or CSA C22.2 (Canada). The power supply socket must be accessible after installation.
- The power supply must be properly polarized. Reverse polarity will result in continuous sparking of the electrodes, even after flame ignition. If the power supply is not properly polarized, it is the responsibility of the customer to have the polarity corrected.
- If there is any doubt as to whether the wall receptacle is properly grounded or polarized, have it checked by a qualified electrician prior to installing the cooktop.
- This appliance is equipped with a three-prong grounding plug for your protection against shock hazard and should be plugged directly into a properly grounded receptacle. Do not cut or remove the grounding prong from this plug.

## Parts checklist

- Gas cooktop base unit
- Literature pack (includes LP kit)
- Elbow & blue washer (taped to power supply cable)
- Regulator (in polystyrene)
- Burner heads and caps (check polystyrene carefully before discarding)
- 3 x burner grates (1 x center, 2 x outer)
- Accessories pack (GC365D only)

## Tools needed

- Phillips No. 2 screwdriver
- Plumbing fittings as required
- Woodworking tools as required
- Shut-off valve
- Oil based paint (for sealing cutout)

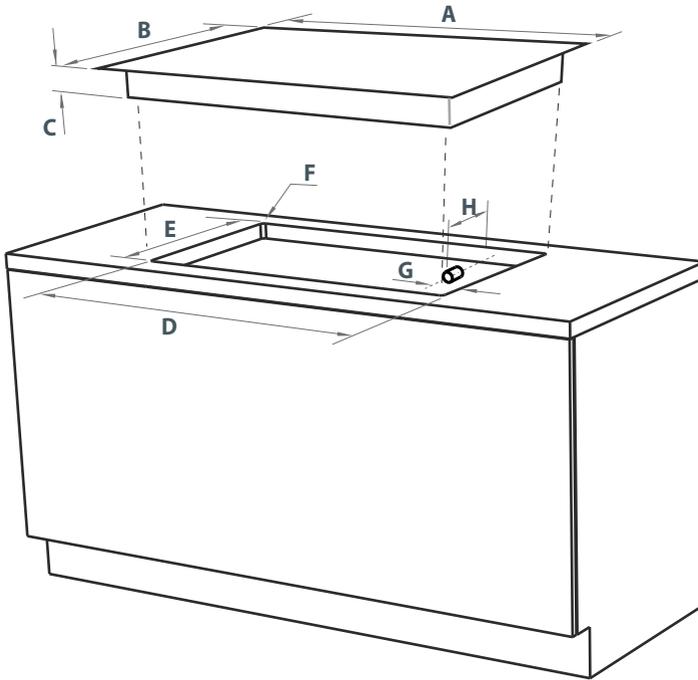
### For GC365C LP conversion

- $\varnothing \frac{7}{64}$  " x  $1\frac{3}{4}$ " ( $\varnothing 2.5$  x 45 mm) flat screwdriver
- $\frac{9}{32}$ " (7 mm) box spanner

### For GC365D LP conversion

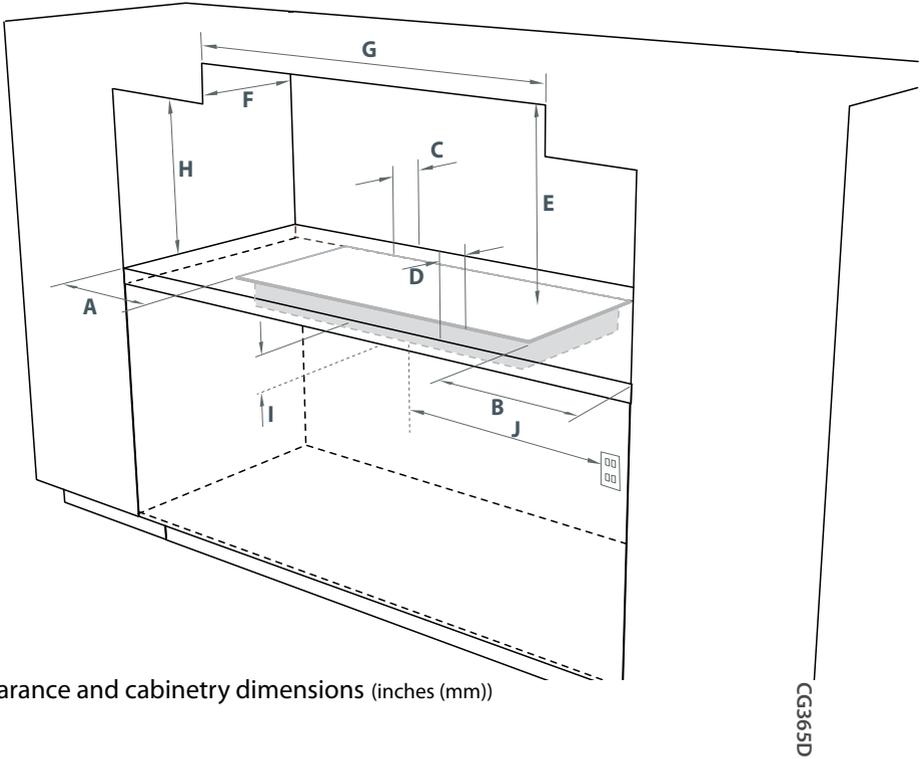
- $\varnothing \frac{7}{64}$  " x  $1\frac{3}{4}$ " ( $\varnothing 2.5$  x 45 mm) flat screwdriver
- Phillips No. 1 screwdriver
- $\frac{9}{32}$ " (7 mm) box spanner
- $1\frac{3}{32}$ " (10 mm) ring spanner

## Installation instructions



Cooktop and cutout dimensions (inches (mm))

		CG365D	CG365C
A	overall width of cooktop	36" (914)	36" (914)
B	overall depth of cooktop	21 1/2" (546)	21 1/2" (546)
C	height of chassis below top of counter	3" (76)	2 9/16" (65)
D	overall width of cutout	34 1/4" (870)	34 1/4" (870)
E	overall depth of cutout	19 1/4" (494)	19 1/4" (494)
F	corner radius of cutout	R 3/8" (10)	R 3/8" (10)
G	distance from right edge of cutout to manifold center line	1" (25)	1" (25)
H	distance from rear edge of cutout to gas inlet on cooktop	3/4" (20)	3/4" (20)



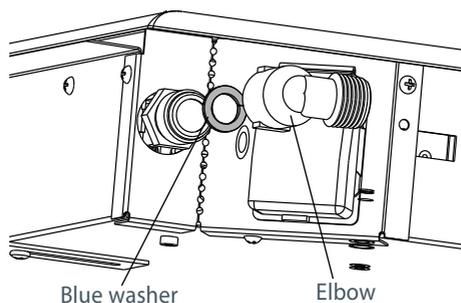
Clearance and cabinetry dimensions (inches (mm))

A	minimum clearance from left edge of product to nearest vertical surface	1 ½" (38)	1 ½" (38)
B	minimum clearance from right edge of product to nearest vertical surface	1" (25)	1" (25)
C	minimum clearance from rear edge of product to: nearest combustible surface nearest non-combustible surface*	1 ¼" (32) less than 1 ¼" (32)	1 ¼" (32) less than 1 ¼" (32)
D	minimum clearance from front edge of counter to front edge of product	1 ¼" (32)	1 ¼" (32)
E	minimum clearance from cooking surface to combustible surface centered above the cooking surface	30" (762)	30" (762)
F	maximum overall depth of overhead cabinetry	13" (330)	13" (330)
G	minimum distance between overhead cabinets installed to either side of product	36" (915)	36" (915)
H	minimum vertical distance between counter and cabinet extending above the counter	18" (457)	18" (457)
I	minimum clearance below top of countertop to: nearest combustible surface F&P oven or nearest non-combustible surface	3 ⅝" (84) 3 ⅝" (84)	3 ⅝" (84) 3 ⅝" (84)
J	maximum distance from the center of the product to the nearest grounded power outlet. The power supply cable must not touch any hot metal surfaces.	30" (762)	30" (762)

\* Recommended non-combustible materials are: ¼" (6 mm) flame retardant millboard covered with not less than No. 28 MSG sheet steel, 0.015" (0.4 mm) stainless steel, 0.024" (0.6 mm) aluminum or 0.020" (0.5 mm) copper.

## Gas supply connection

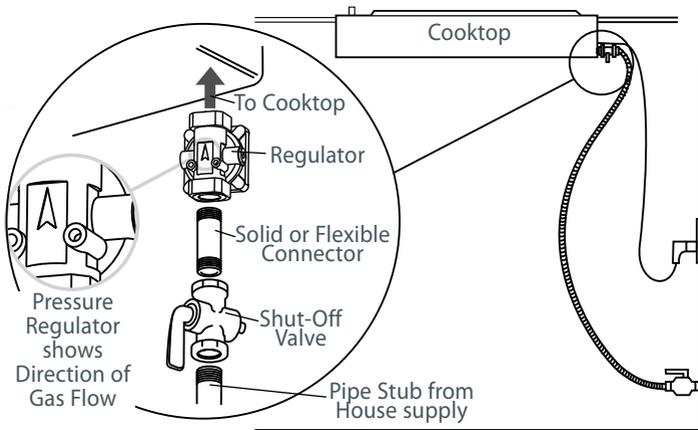
- This appliance is factory set for use with **Natural Gas** at 4" of water column pressure. It can also be used on **LP Gas** at 11" of water column pressure after conversion (see 'Converting to a different gas type').
- A manual shut-off valve must be installed in an accessible location in the gas line external to the appliance for the purpose of turning on or shutting off gas to the appliance. (In Massachusetts such shutoff devices should be approved by the Board of State Examiners of Plumbers & Gas Fitters).
- Gas connection to the product must use the elbow supplied with a 1/2" NPT external thread.
- **Ensure the blue washer (supplied) is located between the elbow and the product inlet. Failure to use this will cause a gas leak.**



## Converting to a different gas type

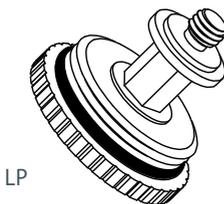
### Gas regulator

- For use with a gas pressure regulator as shown below. The regulator supplied can be set for either LP Gas or Natural Gas.



### Converting the regulator between NG & LP

- Unscrew the cap from the regulator.
- Check the orientation of the plastic conversion plug, and if necessary, unscrew, turn over and screw back in (wide section away from cap for LP and against cap for NG - see diagram below for appropriate orientation).
- Replace regulator cap.
- Test gas pressure (test point provision on side of regulator). When converting the regulator for different settings, the function of the regulator must be checked at a pressure at least 1" WC (0.036 psi) above the specified manifold pressure.



## Converting to a different gas type

### Changing the injectors

The cooktop is set to NG. A conversion kit to LP is supplied with the cooktop.

To change the injectors, you will need a  $\frac{9}{32}$ " (7 mm) box spanner (and a  $\frac{13}{32}$ " (10 mm) ring spanner for CG365D models).

- 1 Turn off the cooktop and disconnect from the power supply.

### **Important!**

*Disconnect cooktop from the power supply before continuing.*

- 2 Make sure all gas valves are turned off.
- 3 Remove all grates and burner parts.
- 4 Unscrew the injectors (save for future use) and replace them with the correct ones (size numbers are stamped on the side, eg 70= 0.70 mm). See Fig. 1.

#### **CG365D wok burner only**

- 5 Remove the 2 screws holding each burner bowl (3 on the wok burner).
- 6 Lift hob tray from the product.

### **Important!**

*Beware of sharp edges.*

- 7 Replace the wok injector with the correct one using a  $\frac{13}{32}$ " (10 mm) ring spanner.
- 8 Reset the venturi (see Fig. 2):
  - With the product isolated from the electrical supply, ignite the burner using a match. The flame will probably be lifting off the burner (see Fig. 3).
  - Loosen the venturi securing screw. Move the venturi towards the injector until the flame begins to 'yellow tip' (see Fig. 4).
  - Move the venturi back until the 'yellow tip' just disappears (see Fig. 5)—this is the correct venturi setting. Tighten the securing screw.
- 9 To refit the hob tray, repeat steps 5 & 6 in reverse.
- 10 Reset the minimum setting (see 'Minimum setting or turn-down').
- 11 After reassembly, verify the insulation resistance and ground continuity of the electrical circuit.
- 12 The label supplied with the injectors should be placed over the existing gas type label to indicate the change.

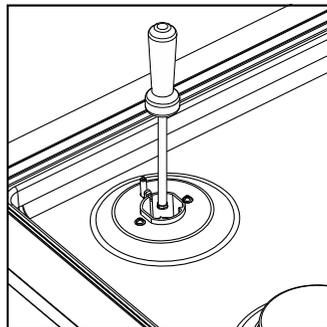


Fig. 1

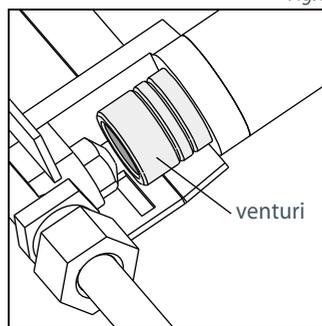


Fig. 2

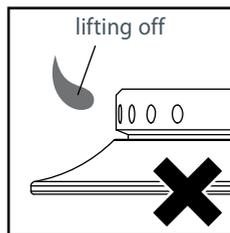


Fig. 3

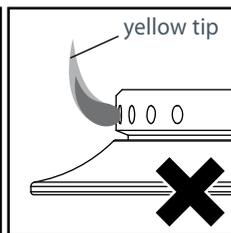


Fig. 4

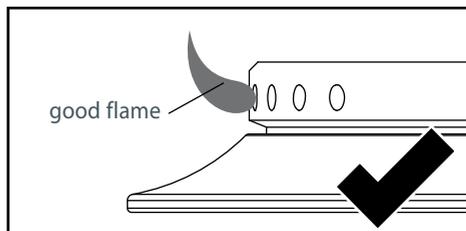


Fig. 5



## Leak testing

- Leak testing of the appliance shall be conducted according to the manufacturer's instructions.
  - The appliance and its individual shut-off valve must be disconnected from the gas supply piping system during any pressure testing of that system in excess of ½ psi (3.5kPa).
  - The appliance must be isolated from the gas supply piping system by closing its individual manual shut-off valve during any pressure testing of the gas supply piping system at test pressures at or less than ½ psi (3.5 kPa).
  - Maximum inlet gas supply pressure 20" W.C. (5 kPa)
  - Minimum gas supply pressure for regulator testing 5" W.C. Natural Gas, 12" W.C. LP Gas.
- After installing the gas supply and making all connections, check thoroughly for possible leaks:
- 1 Turn all control dials on unit to "off" position.
  - 2 Open the valve on the gas supply.
  - 3 Using a leak detection fluid (eg Rocol leak detection spray), check each gas connection one at a time by brushing the solution over the connection. The presence of bubbles will indicate a leak.
  - 4 If necessary, tighten the fitting and recheck for leaks.
  - 5 Turn on burner valve and light each burner.
  - 6 Check for a clear blue flame without yellow tipping. If burners show any abnormalities, check that they are located properly and in line with the injector orifice.

## Minimum setting or turn-down

After installation check the minimum setting. This has been preset at the factory for NG but needs to be checked and then reset if necessary. To adjust for minimum setting (if applicable), you will need a  $\varnothing \frac{7}{64}'' \times 1 \frac{3}{4}''$  ( $\varnothing 2.5 \times 45$  mm) screwdriver.

(A suitable screwdriver is available as Fisher & Paykel spare part FB200467).

- 1 Ignite the burner and set the dial to its minimum position.
- 2 Remove the dials.
- 3 Rotate the turn-down screw (down the hole in the spindle) while holding the shaft. Rotate slowly until a minimum regular flame is achieved. (The flame will diminish when the screw is turned clockwise and increase when turned counter-clockwise).
- 4 When the setting is right, check regulation by quickly rotating the dial from the maximum to the minimum delivery position. The flame must not go out and the auto-reignition should not click. Replace the dial.

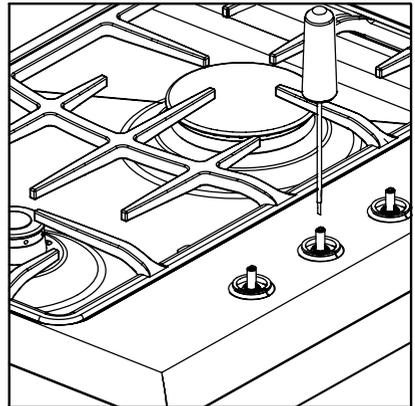


Fig.6 Minimum setting adjustment

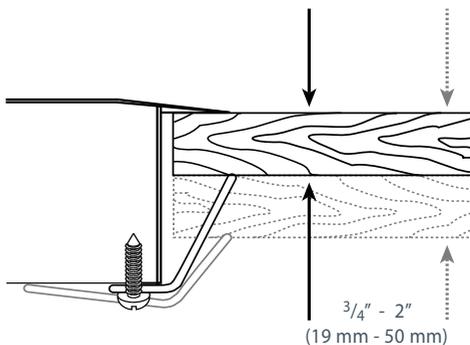
### Checking the gas type

Burners	NG Orifice (mm)	NG BTU (MJ/h) @ 0.15 psi (4" W.C.)	LP Orifice (mm)	LP BTU (MJ/h) @ 0.41psi (11" W.C.)
RH Rear (Rapid)	1.3 mm	8,000 (8.4 MJ/h)	0.8 mm	8,200 (8.7 MJ/h)
LH Rear (Semi-rapid)	1.1 mm	5,800 (6.1 MJ/h)	0.7 mm	5,700 (6.0 MJ/h)
RH Front (Auxillary)	0.85 mm	3,000 (3.2 MJ/h)	0.55 mm	3,500 (3.7 MJ/h)
LH Front (Rapid)	1.3 mm	8,000 (8.4 MJ/h)	0.8 mm	8,200 (8.7 MJ/h)
CG365C Center (Wok)	1.75 mm	14,000 (14.8 MJ/h)	1.05 mm	13,000 (13.7 MJ/h)
CG365D Center (Wok)	2.15 mm	20,000 (21.1 MJ/h)	1.22 mm	19,000 (20 MJ/h)

### Clamping down the cooktop

Place the cooktop into the cutout and tighten it with the supplied clamps. These will cope with the countertop thicknesses 3/4" - 2" (19 - 50 mm) when used in the two orientations shown.

**Do not over tighten.**



<b>Troubleshooting check list</b>  • = check	Slow to ignite or yellow flames?		Doesn't ignite?		Doesn't stop sparking?	Doesn't stay lit?
	All Burners	Individual Burner	All Burners	Individual Burner		
Burners correctly assembled?	•	•		•	•	•
Dirty ignitors?		•		•		
Gas pressure correct?	•		•		•	
Low setting correct?					•	•
Injectors incorrect or blocked?	•	•		•		
Power supply polarity/grounding OK?			•		•	
Supply voltage OK?	•		•			
Draft/extraction? (advise the customer)					•	•

**Final checklist*****TO BE COMPLETED BY THE INSTALLER***

- Have you installed the fastening brackets?
- Have you fastened the cooktop to the counter securely?
- Have you used the supplied gas pressure regulator, elbow and blue washer?
- Have you leak-tested all connections?
- Is the regulator set for the correct gas type and pressure?
- Are the injector sizes correct for the gas type?
- Is the cooktop grounded?
- Check that the power supply cable is NOT touching the cooktop.

**OPERATION:**

- Do all burners ignite individually and in combination?
- Do the burners remain lit when turned down?
- Are the flames consistent and appropriately sized?
- Have you demonstrated the basic operation to the customer?

*Installer's name:* \_\_\_\_\_

*Installer's signature:* \_\_\_\_\_

*Installation company:* \_\_\_\_\_

*Date of installation:* \_\_\_\_\_

***LEAVE THESE INSTRUCTIONS WITH THE CUSTOMER***

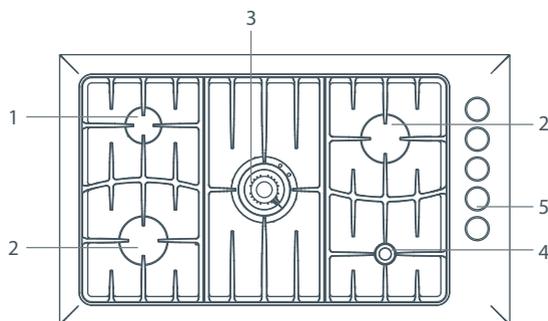
## About your new cooktop

Thank you for buying a Fisher & Paykel gas cooktop. Once it is installed and ready to use, you will want to know everything about it to make sure you get excellent results right from the start. This guide introduces you to all its special features. We recommend you read the whole guide before using your new cooktop, for both safety and cooking success.

## Before using your new cooktop

Before using your new cooktop, please:

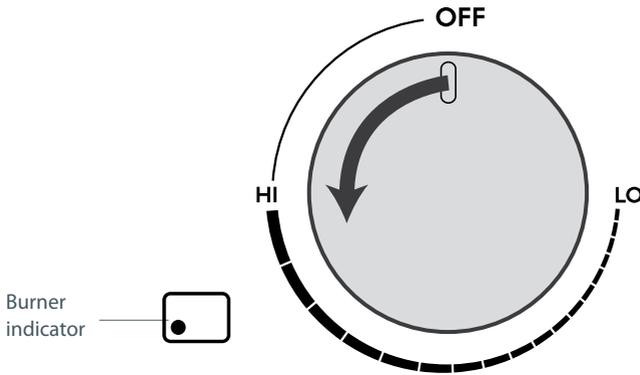
- Read this user guide, taking special note of the 'Safety and warnings' section.



*Fig.7 Cooktop layout - models may vary*

- 1 Semi-rapid burner
- 2 Rapid burner
- 3 Wok burner
- 4 Auxiliary burner
- 5 Cooktop controls

Choose the control dial for the burner you want to use. Press down and turn the dial counter-clockwise to the HI symbol (see below). All the ignitors will spark until the gas ignites on the selected burner.



## Adjusting the flame

The flame adjusts anywhere between the HI and LO symbols. Do not regulate the flame between HI and OFF.

## Temperature control

Your cooktop offers a wide range of temperature settings from delicate slow cooking to the intense high temperatures needed for boiling and searing.

For general cooking purposes, turn the control dial to the HI setting to begin cooking or bring food to the boil and adjust as necessary. Once your pan is hot, reduce the temperature to maintain a steady heat to cook your food through. This will reduce cooking times.

Results will vary depending on the type of pans used and the quantities being cooked. You will need to experiment with the temperature settings to match your desired cooking result. Different types of cooking utensils will vary in efficiency.

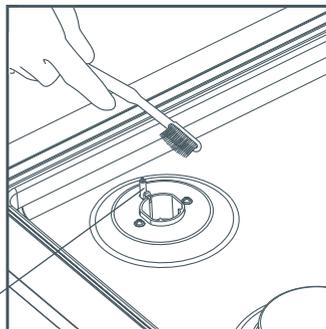
## Using your cooktop

Auto-reignition is for your convenience and safety. The auto-reignition feature causes the igniters to spark automatically and the burner to relight if a flame blows out or if the flame is severely distorted by a draft or a cooktop ventilation system.

### Constant sparking

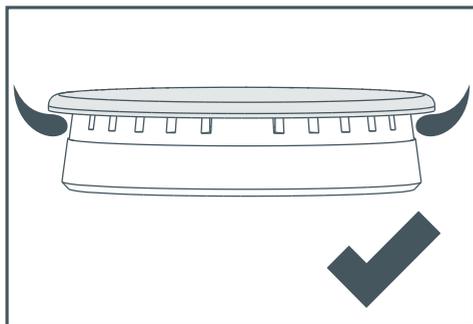
The igniters must be kept clean and dry to work correctly. Dirty or wet igniters could cause constant sparking, even if a flame is present. (See 'Troubleshooting').

Igniters can be kept clean with a small brush and rubbing alcohol.

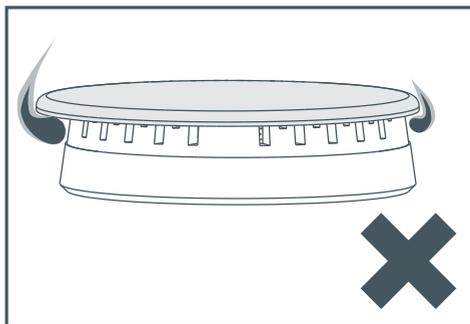


### If the burner has an inconsistent flame or does not light

- If the gas does not light within four seconds, turn the dial to OFF. Allow at least two minutes for the gas to disperse before trying again.
- Check that the power to the product is switched on.
- Check that the burner parts are assembled correctly as below:



Correct assembly



Incorrect assembly

### Power failure

In the event of a power failure, turn all burner control dials to OFF. The burners can be lit by holding a lighted match close to the side of the burner and turning the control dial to HI. Wait until the flame is burning all the way around the burner cap before adjusting.

## ***Important!***

*Never use plastic or aluminum foil dishes on the burners.*

### **Using a wok**

Use your wok only on the middle burner. Do not use a wok larger than 18" (45 cm).

When using any wok, make sure it does not push other pots and pans aside. This could make them unstable, or deflect heat onto nearby walls or the countertop.

### **Wok ring**

Make sure the wok ring fits tightly on the four fingers of the grate. Always use the wok ring with your wok.

### **Using the SimmerMat (GC365D only)**

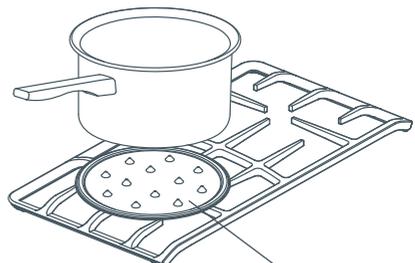
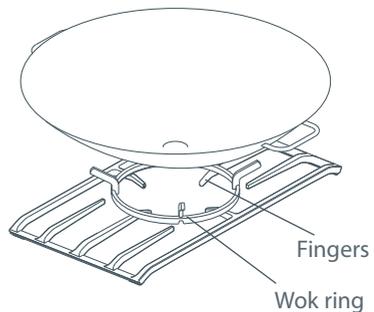
The SimmerMat helps you control the temperature of your cooking surface to allow the long, slow simmering that is needed for successfully cooking delicate foods. **Use at low heat only.**

#### **To use the SimmerMat**

- 1 First cook the food, or bring to the boil, over high heat.
- 2 Turn the burner off and carefully place the SimmerMat on the grate with the points facing upward. Relight the burner, turn to LO and place your saucepan on top of the SimmerMat.

## ***Important!***

- *Do not use an asbestos mat or decorative covers between the flame and the saucepan as this may cause serious damage to your cooktop.*
- *Always turn the burner off before moving the SimmerMat and handle the hot SimmerMat with a potholder.*



## Using saucepans

- Do not let large saucepans or frying pans overlap the countertop as this can deflect heat and damage the countertop surface.
- Hold the handle of the saucepan to prevent movement of cookware when stirring.
- Saucepans should have a thick flat base. Food in a saucepan with an uneven base will take longer to cook.
- Extremely heavy saucepans may bend the grate or deflect the flame.
- Match the bottom of your saucepans to the burner and be sure that they are stable. This will give you the most efficient cooking.

## Griddle

### Using the griddle (GC365D only)

- A griddle is ideal for cooking a variety of foods. Cook steak, tender cuts of meat, panini and char-grilled vegetables on the ribbed side and griddle scones, pancakes, pikelets, polenta and eggs on the flat side.
- The surfaces of a cast-iron griddle will become more and more non-stick as cooking oils become baked in. This 'seasoning' process can be started by coating both surfaces of the griddle with cooking oil and baking in the oven at 300 °F (150 °C) for about an hour.

### Cooking with a griddle

- Only use the griddle over the two left-hand burners.
- Heat the griddle for a few minutes before using.
- Brush the food, not the griddle, with oil, to reduce splatter and smoking.
- Cook steak and vegetables at high temperatures on the ribbed side of the griddle. Turn the steak only once, about halfway through the cooking time and test by pressing the surface of the steak. The softer the meat is, the 'rarer' or less well done it will be.
- Griddle scones, pancakes, pikelets, polenta and eggs are best cooked slowly at medium to low temperatures on the flat side of the griddle.

## ***Important!***

*Prolonged cooking with the griddle at high temperatures may damage the cooktop.*

### Cleaning a cast-iron griddle

- Leave the griddle to cool before cleaning. Scrape away any food residue and wash in warm soapy water.
- Do not scour to the bare metal when cleaning or you will remove the non-stick coating that has built up during cooking.
- Dry the griddle thoroughly and wipe with a thin coating of cooking oil to prevent rust forming, especially when the griddle is new.



## Important!

- Before cleaning, be certain the burners are turned off and the whole cooktop is cool.
- Do not use a steam cleaner to clean your cooktop.

Use soapy water and a soft sponge or cloth to clean the cooktop, rinse with clean water and dry thoroughly. Clean the cooktop regularly, before spills become burnt on. Soaking stubborn stains under the soapy cloth for a few minutes will help make them easier to remove. Grates are dishwasher safe. If stubborn soil remains, follow the recommended cleaning methods outlined below.

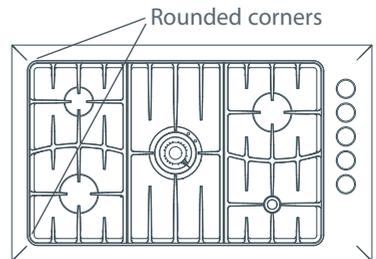
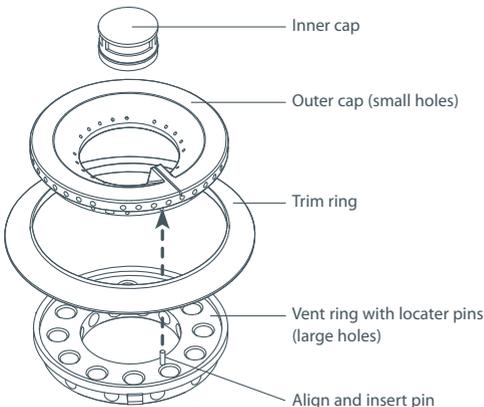
- Always use the mildest cleaner that will do the job. Use clean, soft cloths, sponges or paper towels.
- Clean brushed stainless steel finishes in the direction of the grain.
- Dry thoroughly to avoid water marks.
- Do not clean cooktop parts in any self-cleaning oven.
- After cleaning, replace all cooktop parts in their proper position before using the cooktop.
- Rinse and wipe away all cleaner residue as—when heated—the cleaners can permanently stain the cooktop.

## Replacing the grates

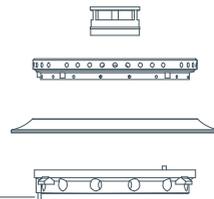
The wok grate goes in the center over the wok burner. The other two grates are interchangeable.

## Reassembling the brass wok burner (GC365D only)

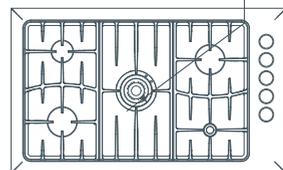
Each part of the brass burner has locating pins to help you to assemble it correctly after cleaning. Incorrect assembly can cause dangerous irregular flames and ignition problems. Refer to this diagram for the correct order of assembly. Note: the brass parts of your wok burner will change color with use. This will have no effect on the performance.



Correct grate orientation



Rotate vent ring to align locator pin with hole in burner base.



**Important!**

- *The cleaners recommended on the following page indicate cleaner types and do not constitute an endorsement of a particular brand. Use all products according to directions on the package.*

Cooktop part	Cleaning	<b>Important!</b>
<b>Grates, burner caps and SimmerMat, porcelain enamel finish</b>	<ul style="list-style-type: none"> <li>■ Hot soapy water and nylon scourer</li> <li>■ Soaking in a solution of biological clothes washing detergent eg Surf®</li> <li>■ Mild abrasive cleansers eg Bon Ami®</li> <li>■ Fume Free oven cleaner eg Easy Off®</li> <li>■ Heavy Duty oven cleaner eg Easy Off®</li> </ul>	<i>Always allow cooktop parts to cool completely before cleaning them. Remove spills as soon as the burner caps are cool to avoid the soil becoming burnt on.</i>
<b>Burner parts</b>	<ul style="list-style-type: none"> <li>■ Hot soapy water</li> <li>■ To clear the holes, use a stiff nylon brush or wire eg straight-ended paper clip.</li> <li>■ Mild abrasive cleansers eg BonAmi®</li> </ul>	<i>Reassemble the burner parts correctly.</i>
<b>Control dials</b>	<ul style="list-style-type: none"> <li>■ Hot soapy water and a soft cloth</li> <li>■ Mild abrasive cleansers eg Bon Ami®</li> </ul>	<i>Always apply minimal pressure with abrasive cleaners.</i>
<b>Stainless steel exterior</b>	<ul style="list-style-type: none"> <li>■ Soak soil under a hot soapy cloth, rinse and dry thoroughly.</li> <li>■ Hard water spots can be removed with household white vinegar.</li> <li>■ Non-abrasive stainless steel cleaner eg 3M Stainless Steel Cleaner &amp; Polish. Regular use of a stainless steel polish will reduce fingerprints and other marks.</li> <li>■ Heavy soiling can be removed with oven cleaner eg Easy Off® Fume Free or Easy Off® Heavy Duty.</li> </ul>	<p><i>Never use harsh/abrasive cleaning agents as they will damage the stainless steel finish.</i></p> <p><i>Chlorine or chlorine compounds in some cleaners are corrosive to stainless steel and may damage the appearance of your cooktop. Check the label on the cleaner before using.</i></p>
<b>Ignitors</b>	<ul style="list-style-type: none"> <li>■ Toothbrush and rubbing alcohol</li> </ul>	<i>A dirty or wet ignitor will prevent the burner from lighting efficiently.</i>

**Q What is the best way to clean stainless steel?**

**A** See 'Care and cleaning' instructions.

**Q How do I clean the grates and burners?**

**A** Grates can be washed in the dishwasher or alternatively with a cream cleaner and a nylon scourer. Burners are best washed in warm water (see 'Care and cleaning' instructions).

**Q All the burners spark at once when I go to light one, is this ok?**

**A** Yes, they are designed to do this.

**Q Why doesn't my cooktop light?**

**A** Firstly, check it is plugged in and the gas is turned on. Alternatively, the gas ignitors may be dirty. These are easily cleaned with a toothbrush and rubbing alcohol. (Also check 'Troubleshooting'.)

**Q Will the graphics on my cooktop come off?**

**A** No, these are etched by laser.

**Q My burner flames are yellow / slow to start, is something wrong?**

**A** Yes, there are a number of factors which could be causing this:

- If you use bottled gas, this may indicate you are getting near the end of the bottle.
- Your cooktop may not be suited to the gas you are using, check with your service person/installer.
- The gas pressure may not be correct, check with your service person/installer.
- See 'Troubleshooting'.

**Q One of my burners has an uneven flame, what can I do?**

**A** Check the burner parts are assembled correctly.

**Q What size pots should I use?**

**A** Generally larger pots are more energy efficient (see 'Cookware').

**Q Do I need special pans for a gas cooktop?**

**A** Regular pans are fine. We recommend thick-based pans for efficient, even heat.

## Troubleshooting chart

Problem	Possible solutions
<b>My cooktop does not light.</b>	Check it is plugged in and there is power to the wall socket.
	The gas ignitors may be dirty. These can be easily cleaned with a toothbrush and rubbing alcohol.
	The burner parts may not be located properly. Check the assembly and make sure the burner cap is sitting flat.
	Check the gas supply valve is turned on and the supply to the house is working. Gas should be heard when you turn a burner on.
<b>My burner flames are yellow/slow to start.</b>	The burner parts may not be located properly. Check the assembly and make sure the burner cap is sitting flat.
	If you use bottled gas, this may indicate you are getting near the end of the bottle.
	Check that the burner parts are not blocked with water.
	The gas pressure may not be correct, check with your service person/installer.
<b>One of my burners has an uneven flame.</b>	Check the burner parts are assembled correctly and that the burner cap is sitting flat on the burner.
<b>My cooktop is sparking.</b>	Your cooktop thinks that the flame has gone out. This could be caused by drafts disturbing the flame eg using a down draft.
	Check that the ignitor is clean and dry.
	Your power supply may not be properly grounded or, in an older house, the correct wiring polarity may not have been observed. Check with your service person/installer.
<b>The flame goes out at low settings.</b>	Gas supply pressure may be low, check with service person/installer.
	Low setting may be incorrect, check with your service person/installer.

## Before you call for service or assistance ...

Check the things you can do yourself. Refer to the installation instructions and your user guide and check that:

- 1 your product is correctly installed
- 2 you are familiar with its normal operation.

If after checking these points you still need assistance or parts, please refer to the Service & Warranty book for warranty details and your nearest Authorized Service Center, Customer Care, or contact us through our local website listed on the back cover.

## Contact details

A Service Summary is attached to the underside of the product.

For replacement parts or if further help is needed concerning this appliance call:

**Toll Free 1 888 9 FNP USA (1 888 936 7872)**

or write to:

**Fisher & Paykel Appliances Inc.**  
**5900 Skylab Road**  
**Huntington Beach, CA 92647**  
**USA**

or contact us through our web site,  
[www.fisherpaykel.com](http://www.fisherpaykel.com)



## Product details

Fisher & Paykel Ltd

**Model** \_\_\_\_\_ **Serial No.** \_\_\_\_\_

**Date of Purchase** \_\_\_\_\_ **Purchaser** \_\_\_\_\_

**Dealer** \_\_\_\_\_ **Suburb** \_\_\_\_\_

**Town** \_\_\_\_\_ **Country** \_\_\_\_\_

## **⚠ MISE EN GARDE!**

Le fait de ne pas suivre toutes les instructions de ce manuel peut provoquer un feu ou une explosion causant des dommages matériels, des blessures ou la mort.

Ne rangez et n'utilisez pas de l'essence ou d'autres liquides et vapeurs inflammables à proximité de cet appareil ou de tout autre appareil.

N'utilisez JAMAIS cet appareil pour chauffer une pièce. Le non-respect de cette consigne peut causer un empoisonnement au monoxyde de carbone et une surchauffe de l'appareil.

### **QUE FAIRE SI VOUS DÉCELEZ UNE ODEUR DE GAZ**

- Ne tentez d'allumer aucun appareil.
- Ne touchez à aucun interrupteur électrique.
- N'utilisez aucun téléphone dans l'édifice.
- Appelez immédiatement votre fournisseur de gaz en utilisant le téléphone d'un voisin. Suivez les consignes du fournisseur de gaz.
- S'il vous est impossible de joindre votre fournisseur de gaz, appelez le service d'incendie.

L'installation et l'entretien doivent être effectués par un installateur ou un technicien qualifié, ou par un employé de votre fournisseur de gaz.

Consignes de sécurité et mises en garde	30
Instructions d'installation	36
Introduction	46
Utilisation de votre table de cuisson	47
Batterie de cuisine	49
Entretien et nettoyage	51
Foire aux questions	53
Dépannage	54
Garantie et réparation	55

## ***Important!***

### **CONSERVEZ CES INSTRUCTIONS**

*Les modèles illustrés dans ce document peuvent ne pas être offerts par tous les détaillants et sont sujets à modifications sans préavis. Pour les plus récentes informations sur la disponibilité des modèles et des caractéristiques dans votre pays, veuillez visiter notre site Web local à l'adresse indiquée sur la couverture arrière, ou contacter votre détaillant Fisher & Paykel local.*

## Installation

**⚠ MISE EN GARDE !**

Risque de choc électrique

Débranchez l'appareil de l'alimentation principale avant toute réparation. Cet électroménager est doté d'une fiche de mise à la terre à trois broches pour assurer votre protection contre les chocs électriques et doit être branché directement dans une prise murale correctement mise à la terre. Ne coupez en aucun cas la broche de mise à la terre de cette fiche et ne la retirez d'aucune façon.

Ne pas suivre cet avis pourrait entraîner un choc électrique ou même la mort.

**⚠ MISE EN GARDE !**

Risque de coupure

Attention aux bords tranchants. Utiliser les extrémités en polystyrène lors du transport de ce produit.

Toute manipulation imprudente pourrait entraîner des blessures ou des coupures.

## Consignes de sécurité importantes

- Cet appareil devra être installé conformément aux exigences des instances des produits de gaz ou du code d'installation approprié ou, en l'absence de codes locaux, de la norme ANSI Z223.1 ou CAN/CSA B149.1,2 du National Fuel Gas Code (Canada). Les codes du bâtiment et de l'électricité doivent être respectés.
- Toute installation électrique doit être conforme à la norme ANSI/NFPA70 - dernière édition ou à la norme CSA C22.1 du Code national de l'électricité du Canada et/ou aux codes locaux.
- Installation dans une maison mobile : l'installation doit être effectuée conformément à la norme Manufactured Home Construction and Safety Standard, Titre 24 CFR, Partie 3280 [anciennement Federal Standard for Mobile Home Construction and Safety, Titre 24, HUD (Partie 280)] ou, lorsqu'une telle norme est inapplicable, à la norme ANSI/NCSCBS A225.1 de Manufactured Home Installations ou aux codes locaux en vigueur.
- Installation dans une caravane de parc : l'installation doit être effectuée conformément aux codes d'état et autres codes ou, en l'absence de tels codes, à la norme ANSI A119.5 de Standard for Recreational Park Trailers.
- Ne retirez pas les étiquettes, mises en garde ou plaques signalétiques collés sur l'appareil. Cela pourrait invalider la garantie.
- Les raccords flexibles de l'appareil doivent être conformes à la norme ANSI Z21.24 et aux organismes d'état. Leur longueur ne doit pas être supérieure à 36 po (914 mm).
- Installez cet appareil conformément aux instructions afin d'éviter tout danger.



- *Cet électroménager doit être installé par un technicien autorisé (mise en garde : dans les limites du Commonwealth du Massachusetts, cet électroménager doit être installé par un plombier autorisé ou un monteur d'installation au gaz).*
- *Remettez cette information à la personne qui installera l'appareil, cela pourrait réduire vos coûts d'installation.*
- *Veillez conserver ces instructions avec l'électroménager. Informez le client de les conserver pour référence future et pour l'usage des inspecteurs locaux.*
- *Ne pas installer correctement cet appareil pourrait invalider toute garantie ou réclamation.*
- *N'utilisez que les pièces de remplacement d'origine pour l'entretien ou les réparations à l'appareil. Vous pouvez vous les procurer à votre centre de service Fisher & Paykel le plus près de chez vous.*
- *Ce produit ne devra pas être collé au plan de travail avec de la colle ou du silicone au risque de rendre tout entretien ultérieur difficile à entreprendre. Fisher & Paykel ne pourra en aucun cas être tenu responsable des frais associés avec le retrait de tels produits et des dommages causés en conséquence.*
- *Ce produit est livré avec une étiquette supplémentaire sur laquelle sont indiqués les numéros de modèle et de série. Elle pourra être collée sous le produit, à l'intérieur d'un placard ou sur ce guide.*

## Utilisation et entretien

Votre sécurité est importante. Veuillez lire cette information avant d'utiliser votre électroménager.

### ⚠ MISE EN GARDE!



#### Risque d'explosion

N'essayez pas d'éteindre les feux de friture avec de l'eau. Cela pourrait causer une explosion de vapeur violente. Éteuffez le feu ou la flamme, ou utilisez un extincteur à poudre ou à mousse.

N'utilisez pas cet appareil pour chauffer des contenants alimentaires fermés, comme des boîtes de conserve. Le contenant pourrait exploser et causer des blessures.

Ne rangez pas de matière inflammable telle que l'essence à proximité de cet appareil.

Ne vaporisez pas de produits en aérosol à proximité de cet appareil pendant qu'il fonctionne.

Le non-respect de cette consigne peut entraîner la mort ou des blessures.

### ⚠ MISE EN GARDE!



#### Risque d'empoisonnement

Nettoyez l'appareil avec prudence. Lorsque vous utilisez une éponge ou un chiffon humide pour essuyer des déversements sur une surface de cuisson chaude, veillez à ce que la vapeur ne puisse pas vous brûler. Certains produits nettoyants peuvent produire des vapeurs nocives lorsqu'ils sont appliqués sur une surface chaude.

N'utilisez jamais cet appareil pour chauffer une pièce. Il pourrait causer un empoisonnement au monoxyde de carbone et surchauffer.

Le non-respect de cette consigne peut entraîner un empoisonnement ou la mort.

**⚠ MISE EN GARDE!****Risque de choc électrique**

Avant de procéder à l'entretien, débranchez l'appareil de la prise électrique et coupez l'alimentation en gaz au robinet d'arrêt.

Cet appareil est équipé d'une fiche à trois broches avec mise à la terre pour vous protéger des chocs électriques. Branchez-la directement dans une prise électrique avec mise à la terre adéquate. Vous ne devez en aucune circonstance couper ou retirer la broche de mise à la terre de cette fiche.

Le fait de ne pas se conformer à ces instructions peut entraîner un choc électrique.

**⚠ MISE EN GARDE !****Risque de surface brûlante**

Ne touchez pas les brûleurs ou les zones les avoisinant. Les brûleurs pourraient être brûlants même s'ils présentent une couleur foncée. Les brûleurs et les zones qui les entourent peuvent devenir suffisamment chauds pour provoquer des brûlures. Pour éviter tout risque de brûlure et/ou d'incendie, conservez tout vêtement ample, poignées ou autre matières inflammables loin de la flamme du brûleur. Ne touchez pas les brûleurs ou les zones les avoisinant et ne laissez rien les toucher jusqu'à ce qu'ils soient suffisamment refroidis. On retrouve dans cette zone les brûleurs et les grilles. Utilisez toujours une poignée sèche lorsque vous retirez un ustensile de cuisson de sur le feu. N'utilisez jamais une poignée mouillée ou humide car la vapeur qu'elle dégage pourrait causer des brûlures. N'utilisez ni serviette ni chiffon pour retirer un ustensile de cuisson de sur le feu.

Ne laissez pas les enfants seuls ou sans surveillance jouer autour de l'appareil.

Ne laissez jamais les enfants jouer ou s'asseoir sur l'appareil.

Soyez prudent lorsque vous retirez des articles des armoires surplombant l'électroménager. Les matières inflammables pourraient s'enflammer si elles touchent la flamme ou les surfaces brûlantes et causer de graves brûlures.

Ne pas vous conformer à cet avis pourrait causer des brûlures ou échaudures.

## Consignes de sécurité importantes

- *L'installation et la mise à la terre de votre appareil doivent être effectuées par un installateur qualifié conformément aux instructions d'installation.*
- *Assurez-vous que la soupape de coupure du gaz est installée dans un endroit accessible une fois l'installation terminée.*
- *Demandez à l'installateur de vous montrer comment couper l'alimentation en gaz et en électricité.*
- *Utilisez cet appareil uniquement aux fins pour lesquelles il a été conçu, comme le stipule le présent guide de l'utilisateur.*
- *Portez des vêtements appropriés. Ne portez pas de vêtements amples ou pendants lorsque vous utilisez cet électroménager.*
- *Tournez les poignées des casseroles vers l'arrière de l'appareil, loin de portée des enfants. Les poignées ne doivent pas surplomber les brûleurs adjacents.*
- *Vérifiez toujours que vous avez bien éteint les brûleurs une fois la cuisson terminée.*
- *Ne laissez jamais l'appareil sans surveillance lorsqu'il est utilisé. Un bouillonnement important causera des débordements graisseux qui pourraient s'enflammer.*
- *Avant d'utiliser l'appareil, vérifiez que tous les brûleurs sont correctement assemblés.*
- *N'utilisez jamais un brûleur sans que toutes ses pièces ne soient en place.*
- *Veillez à ce que les rideaux, recouvrements ou draperies soient toujours à distance sécuritaire de votre appareil.*
- *Pour des raisons de sécurité, la taille de la flamme du brûleur doit être ajustée de façon à ne pas se déployer au-delà du rebord d'un ustensile de cuisson.*
- *Employez une batterie de cuisine de dimensions et de modèle appropriées au type de cuisson désiré. Cet appareil est doté de brûleurs de différentes tailles. Les ustensiles de cuisson doivent correspondre à la taille du brûleur choisi. Sélectionnez ceux dont le fond est assez grand pour couvrir les flammes du brûleur. L'emploi d'ustensiles sous-dimensionnés exposera une portion des flammes du brûleur à un contact direct et pourrait faire enflammer les vêtements. Une relation ustensile à brûleur adéquate améliorera l'efficacité.*
- *Ne vous tenez jamais debout sur cet électroménager au gaz.*
- *Pour des raisons de sécurité, n'entreposez jamais des articles qui pourraient intéresser les enfants au-dessus ou à l'arrière de l'appareil - un enfant qui grimperait sur l'appareil pour atteindre de tels articles pourrait être gravement blessé.*
- *Pour faire frire dans la graisse, assurez-vous que la poêle est assez grande pour que la graisse n'en déborde pas en bouillonnant. Ne faites jamais frire d'aliments dont le contenu en humidité est élevé ou recouverts de givre.*
- *Ne laissez pas la graisse de cuisson ni aucune autre matière inflammable s'accumuler à proximité de l'appareil.*
- *Ne réparez et ne remplacez aucune des pièces de l'électroménager à moins que ce guide d'utilisation ne le recommande spécifiquement. Tout autre entretien doit être confié à un technicien qualifié.*
- *Ustensiles de cuisson vitrifiés - seuls certains types de verre, de poterie de verre/céramique ou autres ustensiles vitrifiés peuvent être utilisés sur cette table de cuisson sans que les changements de température soudains ne les fassent éclater.*
- *N'employez jamais un nettoyeur à la vapeur pour nettoyer votre appareil.*

## Consignes de sécurité importantes

- *Si l'appareil a été converti pour usage avec gaz naturel ou propane/PL, veillez à conserver les injecteurs qui en ont été retirés pour usage futur. Pour convertir à un type de gaz différent, contactez votre agent de service/monteur d'installation au gaz.*
- *N'obstruez pas le débit d'air de combustion et de ventilation à l'appareil.*
- *Le Gouverneur de la Californie est tenu de publier une liste de substances dont l'État sait qu'ils accroissent les risques de cancer ou d'infertilité; les entreprises sont tenues d'aviser leur clientèle des risques associés à de telles substances.*

**AVERTISSEMENT!:** *Les appareils au gaz contiennent ou produisent des substances qui peuvent entraîner la mort ou des maladies graves, et dont l'État de la Californie reconnaît qu'ils augmentent les risques de cancer, d'anomalies congénitales ou autres risques au système reproductif. Pour réduire les risques causés par les substances contenues dans le carburant ou par la combustion du carburant, s'assurer d'installer, d'entretenir et d'utiliser cet appareil selon les consignes du fabricant.*

## Préparation de la carrosserie

- Vérifier que le revêtement du comptoir est à plat et à niveau et qu'aucun élément structurel n'interfère avec l'espace requis.
- Vérifier que le revêtement de comptoir est composé d'un matériau résistant à la chaleur.
- Il est recommandé de vitrifier les bords en bois nu exposés par la forme découpée avec une peinture à l'huile ou de polyuréthane étanche à l'humidité pour empêcher tout endommagement possiblement causé par l'humidité entre le bord de la table de cuisson et la table de travail.

## Électricité

- Vérifier qu'il y a une prise de courant (110-120 V 60 Hz) à proximité du cordon d'alimentation de la plaque de cuisson (762 mm du centre du produit). Il ne faut pas que le câble principal entre en contact avec une pièce métallique chaude.
- Vérifier que la table de cuisson est branchée à une prise de courant reliée à la masse en conformité avec les codes locaux ou, en l'absence de codes locaux, avec le code national réglementant l'électricité ANSI/NFPA 70 ou CSA C22.2 (Canada). La prise de courant doit être accessible après l'installation.
- Il faut que l'alimentation électrique soit polarisée de façon appropriée. Une polarité inversée produira des étincelles continues sur les électrodes, même après l'allumage de la flamme. Si l'alimentation électrique n'est pas polarisée de façon appropriée, le client est responsable de faire corriger la polarité.
- En cas doute à savoir si la prise murale est adéquatement mise à la terre ou polarisée, faites-la vérifier par un électricien compétent avant d'installer la table de cuisson.
- Cet appareil est équipé d'une fiche de mise à la terre à trois broches pour vous protéger du danger de choc électrique; il faut le brancher directement dans une prise mise à la terre de façon appropriée. Ne pas couper ni retirer les broches de masse de cette fiche.

### Liste de vérification des pièces

- Unité de base de la table de cuisson au gaz
- Documentation (Kit GPL inclus)
- Rondelle bleue et coude (enrubannés au cordon d'alimentation)
- Régulateur (en polystyrène)
- Têtes de brûleur et capuchons (vérifier soigneusement le polystyrène avant de le jeter)
- 3 x grilles (1 x centre, 2 x bords)
- Coffret d'accessoires (CG365D uniquement)

### Outils nécessaires

- Tournevis Phillips n° 2
- Accessoires de plomberie au besoin
- Outils à bois au besoin
- Soupape de coupure ou d'arrêt
- Peinture à l'huile (pour vitrifier la découpe)

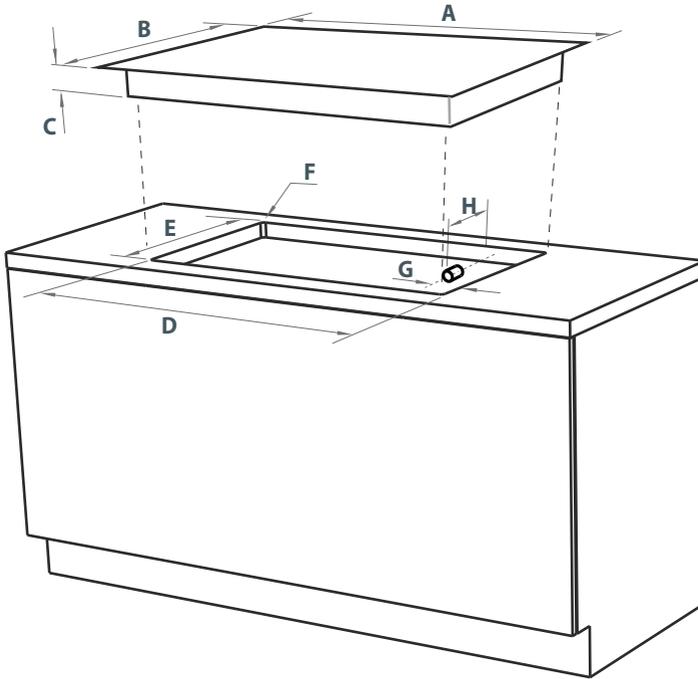
### Pour la conversion au GPL du modèle CG365C

- Tournevis à tête plate  $\text{Ø}7/64$  po x  $13/4$  po ( $\text{Ø}2,5$  x 45 mm)
- Clé à pipe  $9/32$  po (7 mm)

### Pour la conversion au GPL du modèle CG365D

- Tournevis à tête plate  $\text{Ø}7/64$  po x  $13/4$  po ( $\text{Ø}2,5$  x 45 mm)
- Tournevis Phillips n° 1
- Clé à pipe  $9/32$  po (7 mm)
- Clé à anneau  $13/32$  po (10 mm)

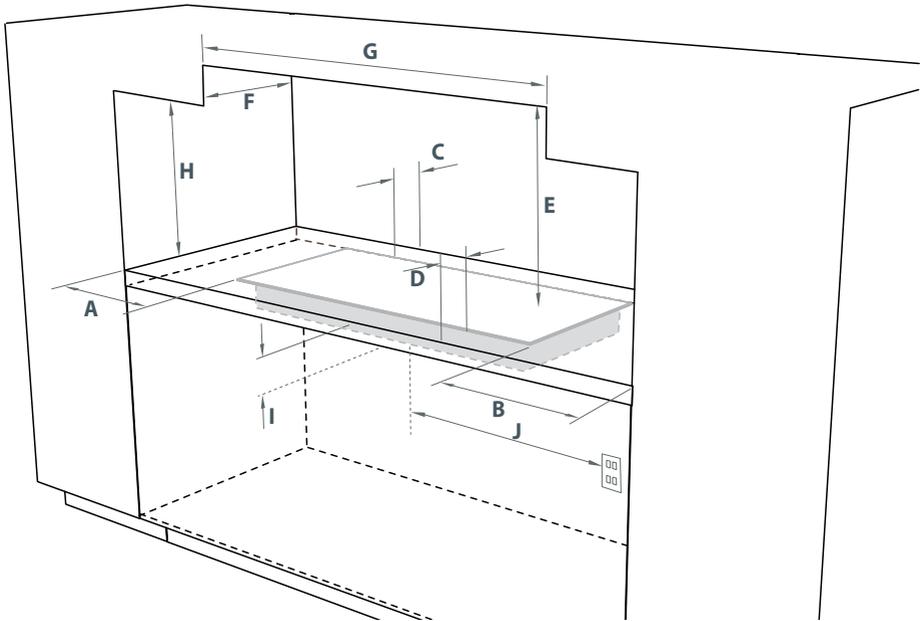
## Instructions d'installation



Dimensions du produit et de l'ouverture (pouce (mm))

		CG365D	CG365C
A	largeur hors tout du produit	36 po (914)	36 po (914)
B	profondeur hors tout du produit	21 ½ po (546)	21 ½ po (546)
C	hauteur du châssis sous la surface du comptoir	3 po (76)	2 ⅞ po (65)
D	largeur hors tout de l'ouverture	34 ¼ po (870)	34 ¼ po (870)
E	profondeur hors tout de l'ouverture	19 ¼ po (494)	19 ¼ po (494)
F	rayon du coin de l'ouverture	R ⅞ po (10)	R ⅞ po (10)
G	distance du côté droit de l'ouverture à la rampe à gaz centrale	1 po (25)	1 po (25)
H	distance du l'arrière de l'ouverture à l'admission de gaz du produit	¾ po (20)	¾ po (20)





## Dégagement et dimensions des armoires (pouce (mm))

CG365D

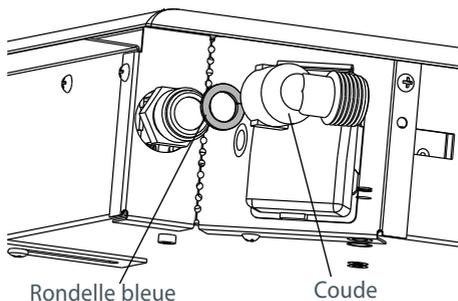
CG365C

A	dégagement minimal entre le côté gauche du produit et la surface verticale la plus proche	1 ½ po (38)	1 ½ po (38)
B	dégagement minimal entre le côté droit du produit et la surface verticale la plus proche	1 po (25)	1 po (25)
C	dégagement minimal entre l'arrière du produit et : la surface combustible la plus proche la surface incombustible la plus proche*	1 ¼ po (32) moins de 1 ¼ po (32)	1 ¼ po (32) moins de 1 ¼ po (32)
D	distance minimale entre le devant du comptoir et le devant du produit	1 ¼ po (32)	1 ¼ po (32)
E	dégagement minimal entre la surface en verre et une surface combustible centrée au-dessus de la surface de cuisson	30 po (762)	30 po (762)
F	profondeur hors tout maximale des armoires suspendues	13 po (330)	13 po (330)
G	distance minimale entre les armoires suspendues installées des deux côtés du produit	36 po (915)	36 po (915)
H	distance verticale minimale entre le comptoir et une armoire au-dessus du comptoir	18 po (457)	18 po (457)
I	dégagement minimal entre le dessous du comptoir et : la surface combustible la plus proche un four Fisher & Paykel ou la surface incombustible la plus proche	3 ⅝ po (84) 3 ⅝ po (84)	3 ⅝ po (84) 3 ⅝ po (84)
J	distance maximum de la prise de courant mise à la terre la plus proche depuis le centre de la table de cuisson. Le cordon d'alimentation ne doit pas toucher une quelconque surface métallique chaude.	30 po (762)	30 po (762)

\* Les matériaux non combustibles recommandés sont les suivants : Carton gris ignifuge ¼ po (6 mm) recouvert au minimum d'une tôle d'acier MSG n° 28, d'acier inoxydable 0,015 po (0,4 mm), d'aluminium 0,024 po (0,6 mm) ou de cuivre 0,020 po (0,5 mm).

## Raccord d'alimentation au gaz

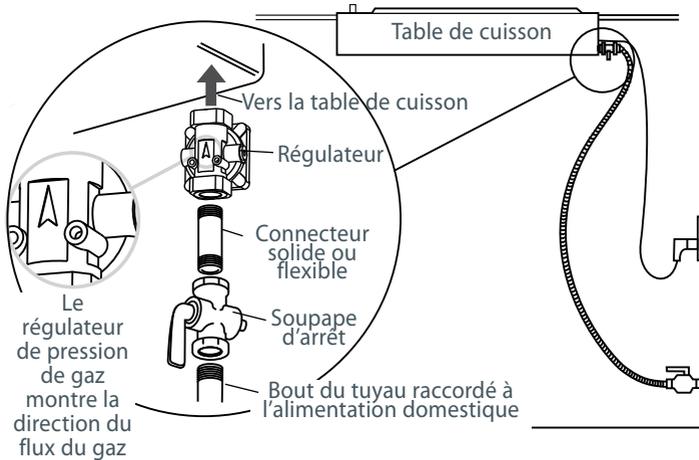
- Cet appareil est réglé en usine pour être utilisé avec du gaz naturel sous une pression de 10,15 cm (4 po) de colonne d'eau. Il peut aussi être utilisé avec du gaz naturel liquéfié à une pression de 28 cm (11 po) de colonne d'eau après conversion (voir 'Conversion à des types de gas différents').
- Une soupape d'arrêt manuelle doit être installée dans un endroit accessible sur la canalisation de gaz extérieure à l'appareil aux fins de l'ouverture ou de la fermeture de l'alimentation en gaz de l'appareil. (Dans le Massachusetts, les dispositifs d'arrêt de ce type devront être approuvés par le Board of State Examiners of Plumbers & Gas Fitters).
- Le coude fourni avec un filetage extérieur NPT de ½ po (12 mm) doit être intégré au raccorde gaz du produit.
- **Vérifier que la rondelle bleue fournie se situe entre le coude et l'orifice d'admission du produit. Autrement, il pourrait y avoir un risque de fuite de gaz.**



## Conversion à des types de gas différents

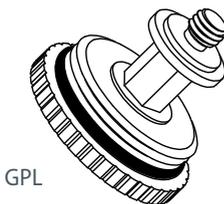
### Régulateur de pression de gaz

- Cet appareil est destiné à être utilisé avec un régulateur de pression de gaz, comme l'illustre l'exemple ci-dessous. Le régulateur fourni peut être réglé soit pour le GPL, soit pour le gaz naturel.

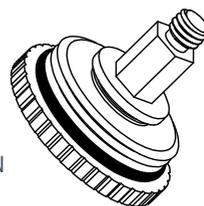


### Conversion du régulateur entre GN et GPL

- 1 Dévisser le capuchon du régulateur.
- 2 Vérifier l'orientation de la fiche de conversion en plastique et, si nécessaire, la dévisser, la retourner et la revisser en place (section large à l'écart du capuchon pour le GPL et contre le capuchon pour le GN– vous référer au schéma ci-dessous pour l'orientation appropriée).
- 3 Remettre en place le capuchon du régulateur.
- 4 Tester la pression du gaz (point de test fourni sur le côté du régulateur). Lors de la conversion du régulation en fonction de différents réglages, il faut vérifier la fonction du régulateur à une pression de colonne d'eau s'élevant au moins à 0,036 psi (1 po) de plus que la pression d'admission indiquée.



GPL



GN

## Conversion à des types de gaz différents

### Modification des injecteurs

La table de cuisson est réglée à NG. Une trousse de conversion au GPL est fournie avec la table de cuisson. Pour changer les injecteurs, vous aurez besoin d'une clé à pipe de 7 mm ( $\frac{9}{32}$  po) et un clé à anneau de 10mm ( $1\frac{1}{32}$  po) pour les modèles CG365D.

- 1 Éteindre l'appareil et couper l'alimentation électrique principale.

### Important!

*Avant de procéder, débranchez l'appareil de la prise électrique.*

- 2 Vérifier que les toutes les soupapes de gaz sont fermées.
- 3 Retirer toutes les grilles et les pièces des brûleurs.
- 4 Dévisser les injecteurs (les conserver en vue d'un usage futur) et les remplacer par les injecteurs appropriés (les dimensions sont inscrites sur le côté, p. ex., 70 = 0,70 mm). Voir Fig. 1.

### Brûleur pour wok CG365D seulement

- 5 Retirer les 2 vis tenant chaque feu/brûleur (3 vis pour le feu/brûleur du wok).
- 6 Soulever le plateau hors du produit.

### Important!

*Attention aux bords tranchants.*

- 7 Remplacer l'injecteur du wok par l'injecteur approprié au moyen d'une clé à anneau de 10 mm ( $1\frac{1}{32}$  po).
- 8 Remise en marche du venturi (voir Fig.2):
  - En ayant pris soin d'isoler le produit de l'alimentation électrique, allumer le brûleur à l'aide d'une allumette. La flamme jaillira probablement du brûleur (voir la Fig. 3).
  - Dévisser la vis de retenue venturi. Déplacer le venturi vers l'injecteur jusqu'à ce que l'extrémité de la flamme commence à jaunir (voir la Fig. 4).
  - Remettre le venturi dans sa position initiale jusqu'à ce que l'extrémité jeune disparaisse (voir le Fig. 5)—il s'agit du réglage approprié du venturi. Serrer la vis de retenue.
- 9 Pour remettre en place la table de cuisson, répéter les étapes 5 et 6 en ordre inverse.
- 10 Régler les paramètres à leur configuration minimale (voir 'Réglage minimum ou marque de réglage effective').

- 11 Après le remontage, vérifier la résistance d'isolement et la continuité de la mise à la terre du circuit électrique.
- 12 Il faudrait placer l'étiquette livrée avec les injecteurs sur l'étiquette du type de gaz existant pour refléter le changement.

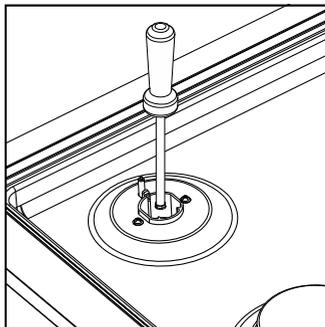


Fig.1

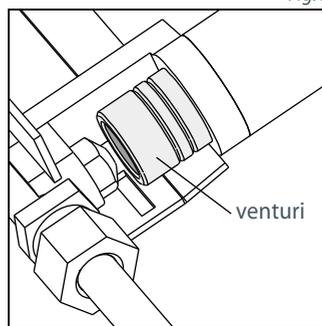


Fig.2

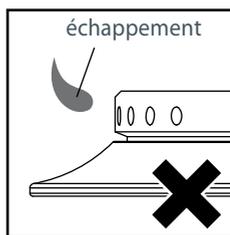


Fig.3

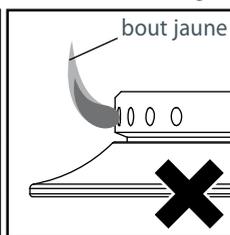


Fig.4

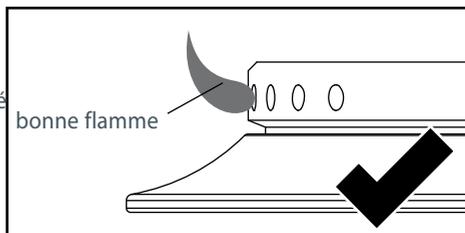


Fig.5

## Essais d'étanchéité

- Les essais d'étanchéité réalisés sur l'appareil devront se conformer aux les instructions du fabricant.
- L'appareil et sa soupape d'arrêt devront être débranchés du système de canalisation d'alimentation en gaz pendant toute épreuve sous pression dudit système supérieure à ½ psi (3,5 kPa).
- L'appareil doit être isolé du système de canalisation d'alimentation en gaz en fermant la soupape d'arrêt manuelle individuelle pendant toute épreuve sous pression du système de canalisation d'alimentation en gaz aux pressions de test égales ou inférieures à ½ psi (3,5 kPa).
- Pression maximum de l'admission de l'alimentation en gaz : pression de 20 po (51 cm) de colonne d'eau (5 kPa)
- Pression maximum de l'alimentation en gaz pour l'épreuve du régulateur : 5 po CE (GN) et 12 po CE (GPL). Après l'installation de la conduite d'alimentation en gaz et après avoir terminé tous les branchements, vérifier soigneusement l'installation pour détecter toute éventuelle fuite de gaz:
  - 1 Tourner tous les boutons de réglage du produit sur la position 'Off' (Arrêt).
  - 2 Ouvrir la soupape sur la conduite d'alimentation en gaz.
  - 3 Au moyen d'un fluide de détection de fuite (p. ex., bombe de détection de fuite System Check), vérifier chaque raccord de gaz, un à la fois, en vaporisant la solution sur le raccord. La présence de bulles indiquera une fuite.
  - 4 Au besoin, serrer le raccord et vérifier à nouveau qu'il n'y a pas de fuite.
  - 5 Ouvrir la soupape du brûleur et allumer chaque brûleur.
  - 6 Vérifier que la flamme est bleue et transparente sans bout jaune. Si les brûleurs montrent une quelconque anomalie, vérifier qu'ils sont bien en place et alignés avec l'orifice de l'injecteur.

## Réglage minimum ou marque de réglage effective

Après l'installation, il faut vérifier le réglage minimum. Ce réglage a été effectué à l'usine pour le GN, mais il importe de le vérifier et de l'ajuster au besoin. Pour tout ajustement sur le réglage minimum (si applicable), vous aurez besoin d'un tournevis Ø2,5 x 45 mm (Ø 7/64 po x 1 ¾ po). (Un tournevis approprié est disponible auprès de Fisher & Paykel; il porte le n° de pièce FB200467).

- 1 Allumer le brûleur et tourner le bouton de réglage à la position minimum.
- 2 Retirer les boutons de réglage.
- 3 Tourner la vis de marque de réglage effective dans le trou de la broche tout en tenant la tige. Tourner doucement jusqu'à l'obtention d'une flamme minimale et régulière. (La flamme diminuera lorsque la vis est tournée dans le sens des aiguilles d'une montre et augmentera lorsque vous la tournez dans le sens inverse).
- 4 Lorsque le réglage est correct, vérifier la régulation en tournant rapidement le bouton de réglage de la position d'arrivée maximum vers la position d'arrivée minimum. Il ne faut pas que la flamme s'éteigne ou que le rallumage automatique émette des clics. Remettre en place le bouton de réglage.

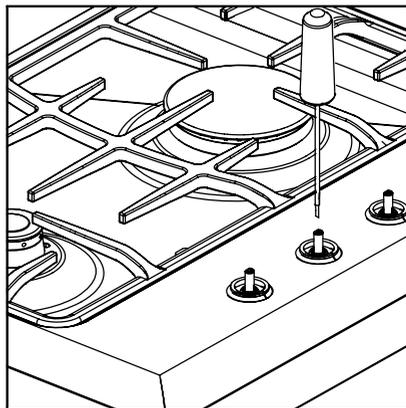


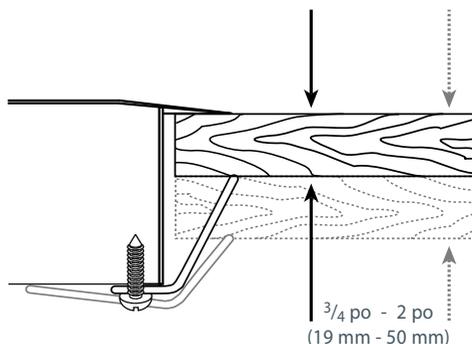
Fig.6 Ajustement du réglage minimum

## Vérification du type de gaz

Brûleurs	Orifice GN (mm)	GN BTU (MJ/h) @ 0,15 psi (102 mm d'eau)	Orifice GPL (mm)	GPL BTU (MJ/h) @ 0,41 psi (280 mm d'eau)
Arrière droit (Rapide)	1,3 mm	8 000 (8,4 MJ/h)	0,8 mm	8 200 (8,7 MJ/h)
Arrière gauche (Semi-rapide)	1,1 mm	5 800 (6,1 MJ/h)	0,7 mm	5 700 (6,0 MJ/h)
Avant droit (Auxiliaire)	0,85 mm	3 000 (3,2 MJ/h)	0,55 mm	3 500 (3,7 MJ/h)
Avant gauche (Rapide)	1,3 mm	8 000 (8,4 MJ/h)	0,8 mm	8 200 (8,7 MJ/h)
CG365C Centre (Wok)	1,75 mm	14 000 (14,8 MJ/h)	1,05 mm	13 000 (13,7 MJ/h)
CG365D Centre (Wok)	2,15 mm	20 000 (21,1 MJ/h)	1,22 mm	19 000 (20 MJ/h)

## Fixation de la table de cuisson

Placer la table de cuisson dans la découpe et la fixer en position en utilisant les fixations fournies. Ces dernières sont compatibles avec une épaisseur de comptoir de  $\frac{3}{4}$  po (19 mm) à 2 po (50 mm) lorsqu'on les utilise dans les deux orientations indiquées. **Ne pas les serrer excessivement.**



Liste de dépannage	Allumage lent ou flammes jaunes?		Allumage déficient?		Étincelles continues?	Disparition de la flamme?
	Tous les brûleurs	Un seul brûleur	Tous les brûleurs	Un seul brûleur		
• = vérification						
Les brûleurs sont-ils assemblés correctement?	•	•		•	•	•
Les électrodes sont-ils sales?		•		•		
La pression du gaz est-elle adéquate?	•		•		•	
Le réglage de faible intensité est-il correct?					•	•
Le jet de la flamme est-il bloqué ou incorrect?	•	•		•		
La mise à la terre ou la polarité sont-elles adéquates?			•		•	
La tension d'alimentation est-elle correcte?	•		•			
S'exerce-t-il un tirage ou une extraction? (Avis aux cons.)					•	•

**Liste de vérification finale****À ÊTRE COMPLÉTÉ PAR L'INSTALLATEUR**

- Avez-vous posé les supports de fixation ?
- Avez-vous fixé solidement la table de cuisson au comptoir ?
- Avez-vous utilisé le régulateur de pression du gaz, le coude, et la rondelle bleue fournie ?
- Avez-vous vérifié toutes les connexions pour déceler d'éventuelles fuites ?
- Le régulateur est-il réglé pour le type de gaz et la pression appropriés ?
- La taille des injecteurs est-elle adéquate pour le type de gaz ?
- La table de cuisson est-elle mise à la terre ?
- Veillez à ce que le câble d'alimentation électrique ne touche PAS la table de cuisson.

**FONCTIONNEMENT :**

- Les brûleurs s'allument-ils individuellement et en combinaison ?
- Les brûleurs demeurent-ils allumés lorsqu'on les éteint ?
- Les flammes sont-elles uniformes et de la bonne taille ?
- Avez-vous démontré le fonctionnement de base au client ?

**Nom de l'installateur :** \_\_\_\_\_

**Signature de l'installateur :** \_\_\_\_\_

**Entreprise d'installation :** \_\_\_\_\_

**Date de l'installation :** \_\_\_\_\_

**LAISSEZ CES INSTRUCTIONS AU CLIENT**

## À propos de votre nouvelle table de cuisson

Merci de vous être procuré une table de cuisson au gaz Fisher & Paykel. Une fois posée et prête à l'emploi, vous voudrez tout savoir à son sujet pour vous assurer que les résultats seront excellents dès le départ.

Ce guide vous présente l'ensemble de ses caractéristiques particulières. Nous vous recommandons de le lire en entier avant d'utiliser votre nouvelle table de cuisson, à la fois pour des raisons de sécurité et pour assurer le succès de votre cuisine.

## Avant d'utiliser la table de cuisson

Avant d'utiliser votre nouvelle table de cuisson, veuillez :

- lire ce guide d'utilisation, en apportant une attention particulière à la section « Consignes de sécurité et mises en garde ».

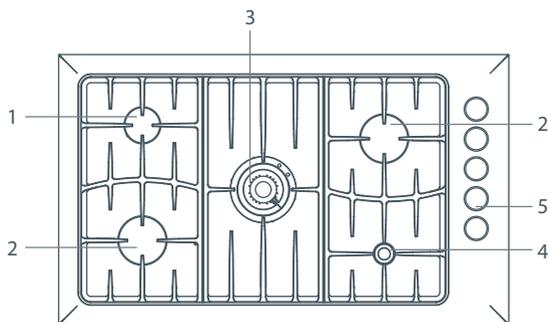
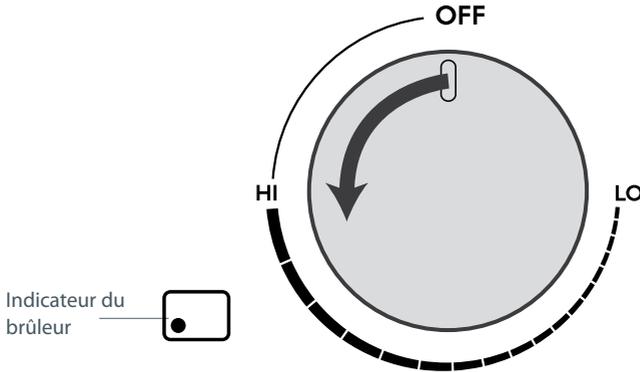


Fig.7 Disposition de la table de cuisson -modèles peuvent varier

- 1 Brûleur à feu semi rapide
- 2 Brûleur à feu rapide
- 3 Brûleur à wok
- 4 Brûleur auxiliaire
- 5 Boutons de réglage de la table de cuisson



Sélectionner le bouton de réglage du brûleur que vous voulez utiliser. Appuyer sur le bouton tout en le tournant dans le sens inverse des aiguilles d'une montre jusqu'au symbole HI (élevé) (voir ci-dessous). Tous les allumeurs feront des étincelles jusqu'à ce que le gaz s'enflamme sur le brûleur sélectionné.



## Réglage de la flamme

La flamme s'ajuste n'importe où entre le symbole HI (élevé) et LO (faible). Ne pas régler la flamme entre les symboles HI (élevé) et OFF (arrêt).

## Contrôle de la température

Votre table de cuisson se caractérise par plusieurs réglages de la température allant de la cuisson lente délicate aux températures élevées intenses requises pour porter à ébullition et saisir des aliments.

Pour la cuisine générale, tourner le bouton de réglage sur la position HI (élevé) pour commencer la cuisson ou porter des aliments à ébullition et régler ensuite la température au besoin. Une fois que la poêle est chaude, réduire la température pour maintenir une chaleur régulière qui cuira vos aliments. Cela réduira le temps de cuisson.

Les résultats varieront en fonction du type de poêle utilisée et des quantités à cuire. Il vous faudra faire des essais avec les réglages de la température pour obtenir le résultat de cuisson désiré. Différents types d'ustensiles de cuisine varieront en efficacité.

## Utilisation de votre table de cuisson

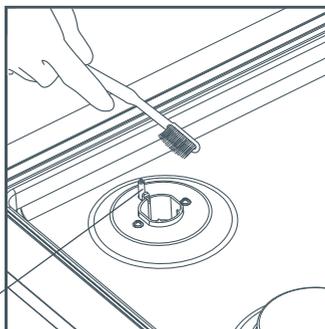
### Auto-reignition (rallumage automatique)

La fonction de rallumage automatique assure votre commodité et votre sécurité. La fonction de rallumage automatique fait en sorte que les allumeurs font automatiquement des étincelles et que le brûleur se rallume si la flamme s'éteint ou si elle est sévèrement déformée par un courant d'air ou par un système de ventilation de table de cuisson.

### Étincelles répétées

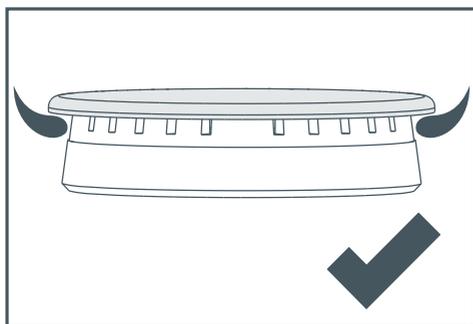
Les allumeurs doivent être tenus propres et secs pour fonctionner correctement. Des allumeurs sales ou mouillés entraîneront des étincelles répétées, même si la flamme est allumée. (Voir le guide de dépannage).

La propreté des allumeurs peut être assurée en les nettoyant à l'aide d'une petite brosse à alcool à friction.

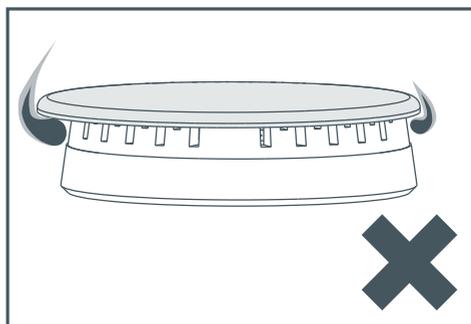


### Si le brûleur présente une flamme changeante ou ne s'allume pas

- Si le gaz n'allume pas le brûleur dans les quatre secondes, tourner le bouton de réglage à OFF (arrêt). Attendre au moins deux minutes pour laisser le gaz se disperser avant de recommencer.
- Vérifier l'arrivée du courant au niveau de l'allumage électronique.
- Vérifier que les pièces du brûleur sont bien en place, comme l'illustrent les figures suivantes :



Montage correct



Montage incorrect

### Panne de courant

En cas de coupure de courant, fermer tous les boutons de réglage. Les brûleurs peuvent être allumés en utilisant une allumette amenée sur le côté du brûleur et en tournant le bouton de réglage à la position HI (élevé). Attendre que la flamme se soit propagée tout autour du rond du brûleur avant de régler l'intensité de la flamme.

## Important !

*Ne jamais utiliser de plats en aluminium ou en plastique sur les brûleurs.*

### Utilisation d'un wok

Utiliser le wok sur le brûleur du milieu exclusivement. Ne pas utiliser de wok dont le diamètre est supérieur à 45 cm (18 po.)

Au moment d'utiliser le wok, il faut s'assurer que sa mise en place n'a pas repoussé d'autres casseroles sur le côté, car cela pourrait les rendre instables ou détourner la chaleur sur les murs connexes ou sur le comptoir.

### Anneau du wok

S'assurer que l'anneau du wok soit bien fixé aux quatre doigts de la grille. Toujours utiliser le wok de pair avec l'anneau.

### Utilisation du rond mijoteur(SimmerMat) (modèles CG365D seulement)

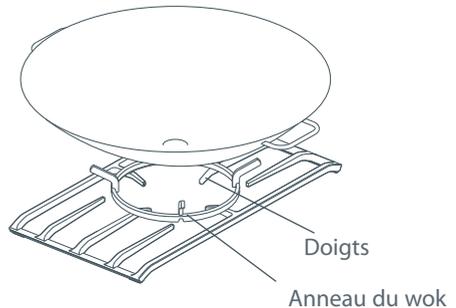
Le rond mijoteur (SimmerMat) vous aide à contrôler la température de la surface de cuisson, assurant ainsi une longue cuisson à feu doux nécessaire au succès de la cuisson de plats délicats. **Utiliser uniquement à feu doux.**

#### Utilisation du rond mijoteur

- 1 Tout d'abord, faire cuire les aliments ou les amener à ébullition à feu vif.
- 2 Éteindre le brûleur et placer soigneusement le rond mijoteur sur la grille, les pointes vers le haut. Rallumer le brûleur, le mettre à LO (doux) et placer votre casserole sur le rond mijoteur.

## Important !

- *Ne pas utiliser de dessous-de-plat en amiante ni de cache brûleurs décoratifs entre la flamme et la casserole au risque de gravement endommager votre table de cuisson.*
- *Toujours éteindre le brûleur avant de déplacer le rond mijoteur et manipuler ce dernier au moyen de manicles afin de prévenir les blessures.*



## Utilisation des casseroles

- Ne pas laisser les grosses casseroles ou poêles à frire dépasser sur le plan de travail au risque de faire dévier la chaleur sur votre plan de travail et d'endommager la surface.
- Tenir le manche de la casserole pour empêcher tout mouvement des ustensiles de cuisson pendant que vous remuez.
- Les casseroles devront avoir un fond plat et épais. Les aliments placés dans une casserole ayant un fond irrégulier mettront plus de temps à cuire.
- Les casseroles extrêmement lourdes pourraient faire courber la grille ou dévier la flamme.
- Utiliser un brûleur correspondant à la taille de votre casserole et vérifier sa stabilité. Vous obtiendrez ainsi une cuisson des plus efficaces.

## La plaque

### Utilisation de la plaque chauffante (modèles CG365D seulement)

- La plaque chauffante est idéale pour cuire une variété d'aliments. Faire cuire le steak, les coupes de viande tendres, les panini et les légumes cuits au charbon de bois sur le côté strié et les petits pains au lait, les crêpes, les petites galettes épaisses, les polenta et les oeufs sur le côté plat.
- Les surfaces de la plaque chauffante en fonte perdent de l'adhérence au fur et à mesure que les huiles de cuisson s'y incrustent. On peut amorcer le processus 'd'apprêtage' en enduisant d'huile de cuisson les deux surfaces de la plaque et en faisant chauffer celle-ci dans le four à 150 °C (300 °F) durant une heure environ.

### Cuisson sur plaque chauffante

- Utiliser uniquement la plaque située sur les deux brûleurs de gauche.
- Faire chauffer la plaque durant quelques minutes avant de l'utiliser.
- Avant la cuisson, vaporiser un peu d'huile sur les aliments, et non pas sur la plaque. Cela évitera les éclaboussures et la formation de fumée.
- Faire cuire le steak et les légumes à des températures élevées sur le côté strié de la plaque. Ne retourner le steak qu'une seule fois, lorsque le temps de cuisson est à moitié écoulé; vérifier la cuisson en appuyant sur la surface du steak. Plus la viande est tendre, moins le steak est cuit.
- Les petits pains au lait, les crêpes, les petites galettes épaisses, les polenta et les oeufs conviennent à une cuisson lente, effectuée à des températures moyennes à élevées, sur le côté plat de la plaque.

## **Important!**

*Une cuisson prolongée sur la plaque, à des températures élevées, pourrait endommager la table de cuisson.*

### Nettoyage de la plaque chauffante en fonte

- Laisser la plaque refroidir avant de nettoyer. Gratter tout résidu d'aliments et laver au savon et à l'eau tiède.
- Ne pas récurer le métal nu durant le nettoyage; autrement, l'enduit antiadhérent accumulé pendant la cuisson disparaîtra.
- Bien faire sécher la plaque chauffante et l'essuyer en laissant une fine couche d'huile de cuisson afin de prévenir la formation de rouille, spécialement lorsque la plaque est neuve.

**Important!**

- Avant de nettoyer, s'assurer que les brûleurs sont éteints et que la table de cuisson est tiède.
- N'employez jamais un nettoyeur à la vapeur pour nettoyer votre table de cuisson.

Nettoyer la table de cuisson en appliquant de l'eau savonneuse au moyen d'une éponge, puis rincer avec de l'eau propre et sécher à fond. Nettoyer la table de cuisson régulièrement avant que les déversements ne deviennent brûlés. Le fait de tremper les taches tenaces sous un linge savonneux facilitera leur disparition. Les grills peuvent être lavés au lave-vaisselle. Si les taches tenaces persistent, appliquer les méthodes de nettoyage recommandées ci-dessous.

- Toujours utiliser le produit nettoyant le plus doux qui fera le nécessaire. Se servir de linges, d'éponges ou de serviettes en papier alliant douceur et propreté.
- Nettoyer l'enduit brossé de l'acier inoxydable dans le sens du grain.
- Sécher à fond afin d'éviter toute trace d'eau.
- Ne jamais nettoyer les composantes de la table de cuisson d'un four autonettoyant.
- Après le nettoyage, remettre toutes les composantes de la table de cuisson en place avant de l'utiliser à nouveau.
- Rincer et essuyer tout résidu de produit nettoyant, car lorsqu'ils sont chauffés, ceux-ci peuvent tacher la table de cuisson de façon permanente.

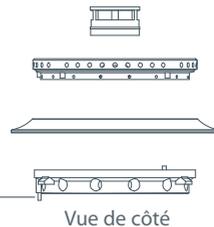
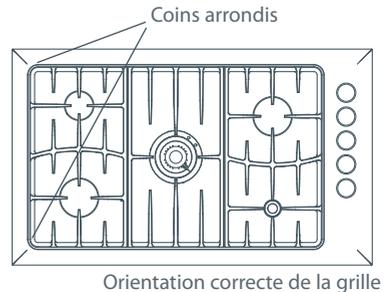
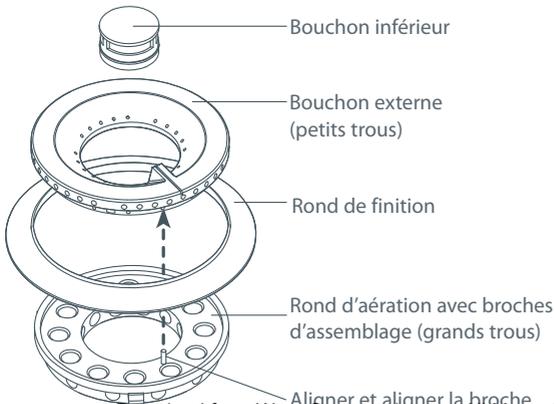
**Remplacement des grilles**

La grille pour wok rabattable se place au centre, au-dessus du brûleur pour wok. Les deux autres grilles sont interchangeables.

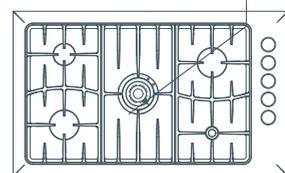
**Remontage du brûleur pour wok en laiton (modèles CG365D seulement)**

Chaque pièce du brûleur en laiton est dotée de goupilles de montage pour vous aider à l'assembler correctement après le nettoyage. Un mauvais assemblage risque d'entraîner des flammes irrégulières et dangereuses, ainsi que des problèmes d'allumage. Il conviendra de se reporter à ce schéma pour visualiser l'ordre correct d'assemblage.

Remarque : Les pièces en laiton du brûleur pour wok se décoloreront au fil de l'utilisation. Cette décoloration n'influera en rien sur les performances du brûleur.



Tourner le rond d'aération pour aligner la broche d'assemblage avec le trou dans la base du brûleur



**Important!**

- Les recommandations figurant à la page suivante préconisent l'emploi de certains types de nettoyants; elles ne constituent pas une approbation d'une marque en particulier. Utiliser tous les produits conformément aux instructions connexes.

Composante de la table de cuisson	Nettoyage	Important!
<b>Grilles, cuvettes des brûleurs et rond mijoteur, revêtement d'émail vitreux</b>	<ul style="list-style-type: none"> <li>Eau chaude savonneuse et tampon en nylon</li> <li>Trempage dans une solution de détergents à chiffon biologique, p. ex., Surf®.</li> <li>produits d'entretien légèrement abrasifs, p. ex., Bon Ami®</li> <li>produit nettoyant de four sans émanations, p. ex., Easy Off®</li> <li>produit nettoyant de four à usage intensif, p. ex., Easy Off®</li> </ul>	Toujours laisser les composantes de la table de cuisson de refroidir complètement avant de les nettoyer. Enlever tout déversement dès que les cuvettes de brûleur sont refroidies afin d'éviter que la tache ne devienne brûlée.
<b>Composantes du brûleur</b>	<ul style="list-style-type: none"> <li>Eau chaude savonneuse</li> <li>Pour nettoyer les trous, utiliser une brosse ou un fil de nylon dur, p. ex., un trombone à extrémité droite</li> <li>Des produits d'entretien légèrement abrasifs, p. ex., Bon Ami®</li> </ul>	Remonter les composantes du brûleur correctement.
<b>Boutons de commande</b>	<ul style="list-style-type: none"> <li>Eau chaude savonneuse et chiffon doux</li> <li>Des produits d'entretien légèrement abrasifs, p. ex., Bon Ami®</li> </ul>	Toujours appliquer une pression minimale avec les produits nettoyants abrasifs.
<b>Revêtement en acier inoxydable</b>	<ul style="list-style-type: none"> <li>Tremper la tache sous un chiffon humecté d'eau chaude et savonneuse, rincer et sécher à fond.</li> <li>Les traces d'eau dure peuvent être enlevées au moyen de vinaigre blanc.</li> <li>Les produits nettoyants non abrasifs destinés à l'acier inoxydable, comme le 3M Stainless Steel Cleaner and Polish. L'usage régulier d'un produit polissant pour l'acier inoxydable réduira les marques d'empreinte et les autres marques.</li> <li>Les taches tenaces peuvent être enlevées au moyen de produit nettoyants à four, comme le Easy Off® Fume Free ou le Easy Off® Heavy Duty.</li> </ul>	<p><b>Ne jamais utiliser de produit nettoyants forts ou abrasifs car ils endommageront le revêtement d'acier inoxydable.</b></p> <p>Le chlore ou les produits chlorés que contiennent certains produits exercent une action corrosive sur l'acier inoxydable et pourraient endommager l'apparence de votre table de cuisson. Consulter l'étiquette sur le produit avant d'utiliser ce dernier.</p>
<b>Électrodes d'allumage</b>	<ul style="list-style-type: none"> <li>Brosse à dent et alcool à friction</li> </ul>	Une électrode sale ou mouillée empêchera le brûleur de s'allumer efficacement.

**Q Quelle est la meilleure méthode pour nettoyer l'acier inoxydable?**

**A** Voir les instructions de nettoyage et d'entretien.

**Q Comment nettoyer les grilles et les brûleurs?**

**A** Les grilles peuvent être lavées au lave-vaisselle ou avec de l'eau savonneuse tiède et les brûleurs se lavent à l'eau chaude (voir les instructions de nettoyage et d'entretien).

**Q Tous les brûleurs font des étincelles en même temps lorsque j'en allume un seul. Est-ce normal?**

**A** Oui, cela est tout à fait normal.

**Q Pourquoi ma table de cuisson ne s'allume-t-elle pas?**

**A** Commencer par vérifier qu'elle est bien branchée et que le gaz arrive adéquatement. Il est également possible que les allumeurs de gaz soient sales. Ils se nettoient facilement avec une brosse à dent et de l'alcool à friction. (Voir le guide de dépannage).

**Q Est-ce que les graphiques sur la table de cuisson s'effaceront?**

**A** Non, ils sont gravés à l'eau forte au laser.

**Q Les flammes du brûleur sont jaunes ou lentes à démarrer; est-ce suspect?**

**A** Oui; plusieurs facteurs peuvent expliquer ce phénomène :

- Si vous utilisez du gaz en bouteille, cela pourrait signifier que la réserve de gaz de la bouteille s'épuisera de façon imminente.
- Il est possible que la pression du gaz ne soit pas au niveau approprié; vérifier auprès de l'installateur ou de la personne procédant à l'entretien.
- Il est possible que la pression du gaz ne soit pas au niveau approprié; vérifier auprès de votre installateur ou de votre expert en réparation.
- Voir le guide de dépannage.

**Q L'un des brûleurs a une flamme irrégulière. Que puis-je faire?**

**A** Vérifier que les pièces du brûleur sont correctement assemblées et qu'elles ne sont pas obstruées par de l'eau.

**Q Quelle taille de casseroles est-il préférable d'utiliser?**

**A** Les grosses casseroles sont en règle générale recommandées car elles permettent d'économiser plus d'énergie (consulter la rubrique sur les ustensiles de cuisson).

**Q Ai-je besoin de casseroles spéciales pour cuisiner sur une table de cuisson au gaz?**

**A** Les casseroles et poêles normales conviennent. Nous recommandons l'utilisation de casseroles et poêles à fond épais pour assurer une répartition régulière et efficace de la chaleur.

## Troubleshooting chart

Problème	Solutions possibles
<b>La table de cuisson ne s'allume pas</b>	<p>Vérifier qu'elle est bien branchée et que le courant arrive à la prise murale.</p> <p>Il est possible que les allumeurs de gaz soient sales. Ils se nettoient facilement avec une brosse à dent et de l'alcool à friction.</p> <p>Il est possible que les pièces du brûleur ne soient pas correctement en place. Vérifier le montage et vérifier que le rond du brûleur repose bien à plat.</p> <p>S'assurer que la soupape d'arrivée du gaz est sous tension et que l'arrivée jusqu'à la maison est en ordre. Le son du gaz devrait se faire entendre au moment d'allumer le brûleur.</p>
<b>Les flammes du brûleur sont jaunes ou lentes à démarrer</b>	<p>Il est possible que les pièces du brûleur ne soient pas correctement en place. Vérifier le montage et vérifier que le rond du brûleur repose bien à plat.</p> <p>Si vous utilisez du gaz en bouteille, cela pourrait signifier que la réserve de gaz de la bouteille s'épuisera de façon imminente.</p> <p>Vérifier que les pièces du brûleur ne sont pas obstruées ou bloquées par de l'eau.</p> <p>Il est possible que la pression du gaz ne soit pas au niveau approprié; vérifier auprès de votre installateur ou de votre expert en réparation.</p>
<b>L'un des brûleurs a une flamme irrégulière</b>	<p>Vérifier que les pièces du brûleur sont correctement en place et que le rond du brûleur repose bien à plat.</p>
<b>Ma table de cuisson émet des étincelles</b>	<p>La table de cuisson pense que la flamme s'est éteinte. Il est possible que cela résulte de courants d'air dérangeant la flamme.</p> <p>Vérifier que l'allumeur est propre et sec.</p> <p>Il est possible que votre alimentation électrique ne soit pas correctement mise à la terre, ou alors que la bonne polarité de câblage n'ait pas été respectée dans une vieille maison.</p>
<b>La flamme s'éteint à feu doux</b>	<p>Il est possible que la pression d'alimentation du gaz soit faible; vérifier auprès de votre installateur ou d'un expert en réparation.</p> <p>Il est possible que le réglage sur feu doux ait été mal ajusté; vérifier auprès de votre installateur ou d'un expert en réparation.</p>



## Avant d'appeler pour demander une réparation ou de l'assistance...

Vérifiez les points que vous pouvez contrôler vous-même. Consultez les instructions d'installation et le guide de l'utilisateur pour vous assurer que :

- 1 votre produit est installé correctement.
- 2 vous êtes familier avec son fonctionnement normal.

Si après la vérification de ces points, vous avez toujours besoin d'assistance ou d'une réparation, reportez-vous au livret de service et de garantie pour obtenir les détails sur la garantie et les coordonnées d'un Centre de service autorisé ou de l'Assistance à la clientèle, ou contactez-nous par l'entremise de notre site Web, à l'adresse indiquée sur la couverture arrière.

## Informations de contact

Un résumé de l'entretien à effectué est fixé au bas de l'appareil.

Pour des pièces de rechange ou toute aide supplémentaire concernant cet appareil composez le **numéro sans frais 1-888-9FNP-USA (1-888-936-7872)**

ou écrivez à :

**Fisher & Paykel Appliances Inc.**  
5900 Skylab Road  
Huntington Beach, CA 92647  
États-Unis

ou communiquez avec nous grâce à  
notre site Web,

**[www.fisherpaykel.com](http://www.fisherpaykel.com)**



## Détails du produit

Fisher & Paykel Ltd

Modèle \_\_\_\_\_ No de série \_\_\_\_\_

Date d'achat \_\_\_\_\_ Acheteur \_\_\_\_\_

Détaillant \_\_\_\_\_ Ville de banlieue \_\_\_\_\_

Ville \_\_\_\_\_ Pays \_\_\_\_\_





Copyright © Fisher & Paykel 2009. All rights reserved.

The product specifications in this booklet apply to the specific products and models described at the date of issue. Under our policy of continuous product improvement, these specifications may change at any time. You should therefore check with your Dealer to ensure this booklet correctly describes the product currently available.

Droits réservés © Fisher & Paykel 2009.

Les spécifications du produit contenues dans ce manuel s'appliquent aux modèles et produits spécifiques comme décrits à la date de publication. Dans le cadre de notre politique d'améliorations en permanence de nos produits, ces spécifications pourront être modifiées à tout moment. Nous vous recommandons de vérifier auprès de votre revendeur que ce manuel décrit le produit actuellement disponible.

**[www.fisherpaykel.com](http://www.fisherpaykel.com)**  
**[www.fisherpaykel.ca](http://www.fisherpaykel.ca)**

US CA

Gas cooktop user guide

Published: 08/2009

Part No. 599776 A

Download from [Www.Somanuals.com](http://Www.Somanuals.com). All Manuals Search And Download.

## Free Manuals Download Website

<http://myh66.com>

<http://usermanuals.us>

<http://www.somanuals.com>

<http://www.4manuals.cc>

<http://www.manual-lib.com>

<http://www.404manual.com>

<http://www.luxmanual.com>

<http://aubethermostatmanual.com>

Golf course search by state

<http://golfingnear.com>

Email search by domain

<http://emailbydomain.com>

Auto manuals search

<http://auto.somanuals.com>

TV manuals search

<http://tv.somanuals.com>