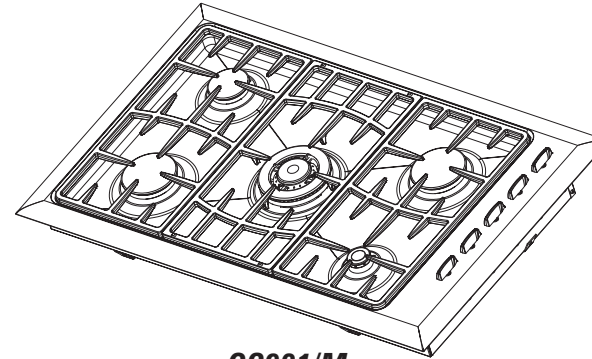


GC36



GC901/M

INSTALLATION INFORMATION

GC36 and GC901 SERIES GAS COOKTOP

IMPORTANT! Please make this information available to the person responsible for installing this cooktop as it could reduce your installation costs.

To the installer: Please leave these instructions with the appliance. Inform the customer to retain for future reference.

- Please follow installation information carefully. If in doubt consult your local building regulations, local gas authority codes and electrical regulations.
- The appliance is to be installed only by an authorized person (in Massachusetts this must be a Massachusetts licensed gas fitter).
- This product is supplied with an additional label containing the model and serial numbers. It may be affixed to the underside of the product, the inside of a cabinet or the inside of a drawer.

CAUTION

IN ORDER TO AVOID A HAZARD THESE APPLIANCES MUST BE INSTALLED ACCORDING TO THESE INSTRUCTIONS.

This product should not be sealed into the bench with silicone or glue. This will make any future servicing difficult. Fisher & Paykel will not be liable for costs associated with releasing such products, nor for damage incurred as a result.

- DO** Ensure the countertop is square and level and ensure no structural members interfere with space requirements.
- DO** Ensure that there is a power supply receptacle within reach of the cooktop power cord (30" from the middle of the product). The main cable should not touch any hot metal parts.
- DO** Make sure the cooktop is connected to a power supply socket that is electrically grounded in accordance with local codes or in the absence of local codes, with the National Electric Code ANSI/FPA 70 or CSA 22.2 (Canada).
- DO** Make sure the countertop is made of a heat resistant material.

WARNINGS

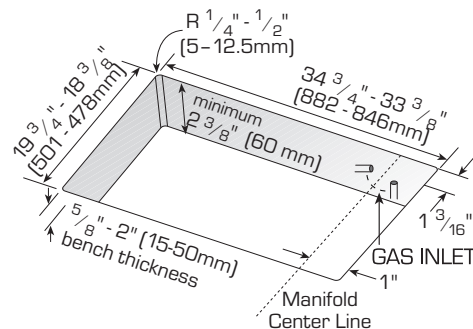
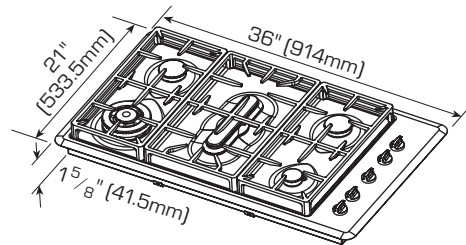
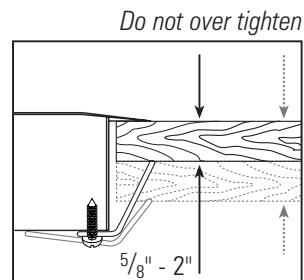
- This appliance shall be installed in accordance with the installation requirements of the local gas authority or the appropriate installation code or in the absence of local codes with the latest National Fuel Gas Code ANSI Z223.1 or CAN B149.1,2(Canada).
- Disconnect power before servicing unit.
- Be aware of sharp edges when handling stainless steel products. (Carry the product using the polystyrene ends).
- When this appliance is installed it shall not be used as a space heater.
- No combustible material or products should be placed on this appliance at any time.
- Do not spray aerosols in the vicinity of this appliance while it is in operation.
- Not to be installed in a bathroom or bedroom/sleeping quarters.
- Flexible appliance connectors shall meet the requirements of ANSI Z21.24 and State Boards. They shall not exceed 36 inches in length.

PRODUCT & CUTOUT DIMENSIONS

GC36

Clamping Down the Cooktop

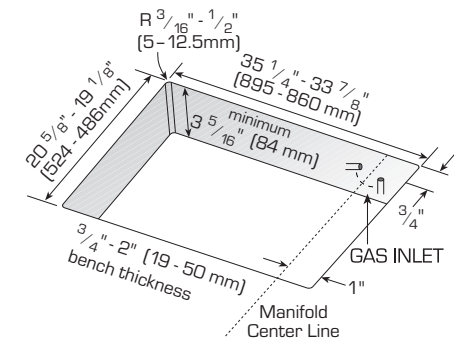
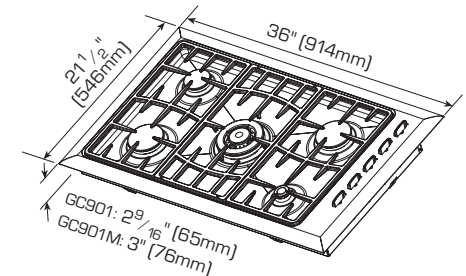
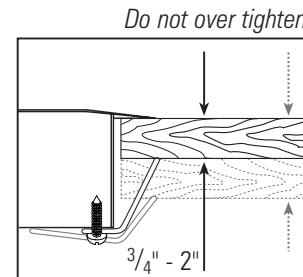
Place the cooktop into the cutout and tighten it with the supplied clamps. These will cope with the countertop thicknesses $\frac{5}{8}$ " - 2" (see diagram below) when used in the two orientations shown.



GC901/M

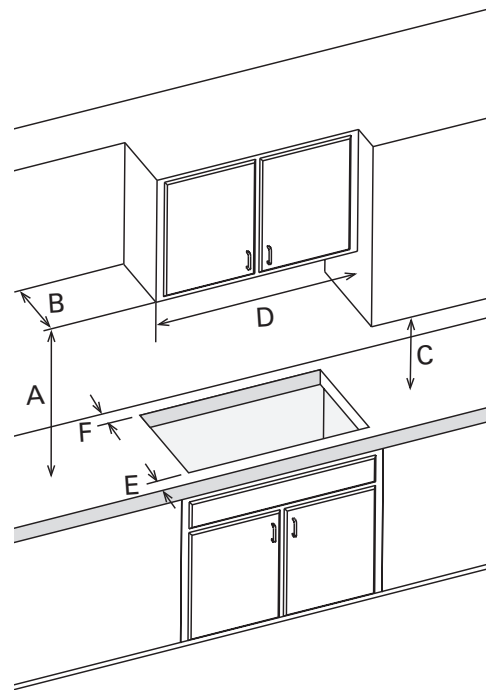
Clamping Down the Cooktop

Place the cooktop into the cutout and tighten it with the supplied clamps. These will cope with the countertop thicknesses $\frac{3}{4}$ " - 2" (see diagram below) when used in the two orientations shown.



GC36

- Minimum horizontal distances from side and back of appliance to adjacent vertical combustible walls (extending a minimum of 18" (C) from above the top panel) must be 4" from the left side wall, 1" from the right side wall and 1 1/2" from rear wall.
- Minimum horizontal distance from front edge of counter to front side of appliance 2 1/2" (E). Where this reduces the distance between the back edge of the appliance and the adjacent wall to less than 1 1/4" (F), this wall must be of non combustible material.
- Minimum clearance from combustible surface centered above cooking surface 30" (A).
- Minimum horizontal distance between overhead cabinets installed on either side of this appliance 36" (D).
- Maximum depth of overhead cupboards, 13" (B).
- These distances shall be from the outermost edge of the top panel.
- Do use easy-to-clean finishes for the wall surfaces surrounding the cooktop to aid removal of any cooking stains resulting from use of the cooktop.



GC901 / GC901M

- Minimum horizontal distances from side and back of appliance to adjacent vertical combustible walls (extending a minimum of 18" (C) from above the top panel) must be 1 1/4" from the left side wall, 1" from the right side wall and 1 1/4" from rear wall.
- Minimum horizontal distance from front edge of counter to front side of appliance 1 1/4" (E). Where this reduces the distance between the back edge of the appliance and the adjacent wall to less than 1 1/4" (F), this wall must be of non combustible material.
- Minimum clearance from combustible surface centered above cooking surface 30" (A).
- Minimum horizontal distance between overhead cabinets installed on either side of this appliance 36" (D).
- Maximum depth of overhead cupboards, 13" (B).
- These distances shall be from the outermost edge of the top panel.
- Do use easy-to-clean finishes for the wall surfaces surrounding the cooktop to aid removal of any cooking stains resulting from use of the cooktop.

GC36

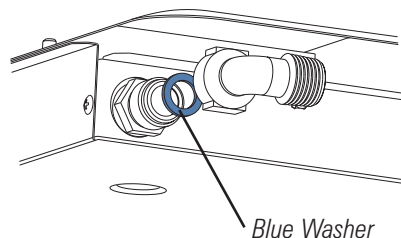
Burners	NG Orifice (mm)	NG BTU (MJ/h)@ 0.15psi (4"H ₂ O)	LP Orifice (mm)	LP BTU (MJ/h)@ 0.41psi (11"H ₂ O)
RH Rear	1.3mm	8,000 (8.4 MJ/h)	0.8mm	8,000 (8.4 MJ/h)
LH Rear	1.3mm	8,000 (8.4 MJ/h)	0.8mm	8,000 (8.4 MJ/h)
RH Front Simmer	0.85mm	3,500 (3.47 MJ/h)	0.55mm	4,000 (4.2 MJ/h)
LH Front Wok	1.75mm	13,000 (13.7 MJ/h)	1.05mm	13,000 (13.7 MJ/h)
Center	1.45mm	9,500 (10 MJ/h)	0.85mm	9,500 (10.0 MJ/h)

GC901 / GC901M

Burners	NG Orifice (mm)	NG BTU (MJ/h)@ 0.15psi (4"H ₂ O)	LP Orifice (mm)	LP BTU (MJ/h)@ 0.41psi (11"H ₂ O)
RH Rear	1.3mm	8,000 (8.4 MJ/h)	0.8mm	8,200 (8.7 MJ/h)
LH Rear	1.1mm	5,800 (6.1 MJ/h)	0.7mm	5,700 (6.0 MJ/h)
RH Front Simmer	0.85mm	3,000 (3.2 MJ/h)	0.55mm	3,500 (3.7 MJ/h)
LH Front	1.3mm	8,000 (8.4 MJ/h)	0.8mm	8,200 (8.7 MJ/h)
Center (GC901)	1.75mm	14,000 (14.8 MJ/h)	1.05mm	13,000 (13.7 MJ/h)
Center (GC901M)	2.15mm	20,000 (21.1 MJ/h)	1.22mm	19,000 (20 MJ/h)

GAS SUPPLY CONNECTION

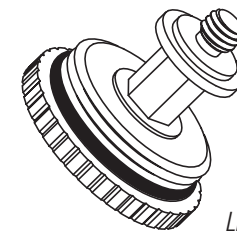
- A manual valve must be installed in an accessible location in the gas line external to the appliance for the purpose of turning on or shutting off gas to the appliance. (In Massachusetts such shutoff devices should be approved by the Board of State Examiners of Plumbers & Gas Fitters).
- This appliance can be used with either LP gas or Natural gas. **It is shipped from the factory adjusted for use with Natural gas.**
- For use with a gas pressure regulator. The regulator supplied can be set for either LP gas or Natural gas and must be used with this appliance. It has a 1/2" NPT thread.
- Gas connection to the product must use the elbow supplied (it has a 1/2" NPT external thread).
- **Ensure the blue washer (supplied) is located between the elbow and the product inlet. Failure to use this will cause the product to leak.**



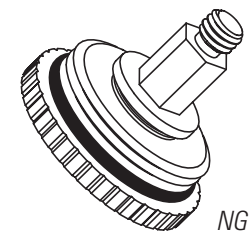
(Note: this diagram is of GC36 but is similar for GC901 and GC901M).

Instructions for converting the regulator between NG and LP

1. Unscrew the cap from the regulator.
2. Check the orientation of the plastic conversion plug, and if necessary, unscrew, turn over and screw back in (wide section away from cap for LP and against cap for NG - see diagram below for appropriate orientation).
3. Replace regulator cap.
4. Test gas pressure (test point provision on side of regulator). When converting the regulator for different settings, the function of the regulator must be checked at a pressure at least 1" WC (0.036 p.s.i.) above the specified manifold pressure.



LP



NG

- After installing the gas supply and making all connections check thoroughly for possible leaks. Turn all control knobs on unit to "off" position. Open the valve on the gas supply. Using a leak detection fluid (e.g. Rocol leak detection spray) check each gas connection one at a time by brushing the solution over the connection. The presence of bubbles will indicate a leak. Tighten the fitting and recheck for leaks.
- Leak testing of the appliance shall be conducted according to the manufacturer's instructions.
- Turn on burner valve and light each burner. Check for a clear blue flame without yellow tipping. If burners show any abnormalities, check that they are located properly and in line with the injector orifice.
- The appliance and its individual shutoff valve must be disconnected from the gas supply piping system during any pressure testing of that system in excess of $\frac{1}{2}$ p.s.i. (3.5kPa).
- The appliance must be isolated from the gas supply piping system by closing its individual manual shutoff valve during any pressure testing of the gas supply piping system at test pressures at or less than $\frac{1}{2}$ p.s.i.(3.5kPa).
- Maximum inlet gas supply pressure 4" W.P. Natural Gas, 11" W.P. LP gas.
- Minimum gas supply pressure for regulator testing 5" W.P. Natural Gas, 12" W.P. LP gas.

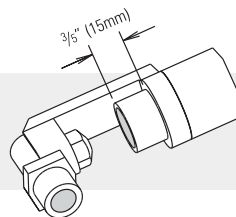
CONVERSION TO DIFFERENT GAS TYPE

Burners can be used with all types of gas, provided that the orifices appropriate for the gas delivered are installed.

You will need a $\frac{9}{32}$ " (7mm) socket (and a $\frac{13}{32}$ " (10mm) socket for the GC901M).

To change the orifices:

1. Turn off the mains supply.
2. Ensure all gas valves are turned off.
3. Remove all grates and burner heads.
4. Pull off knobs.
5. Remove the two screws securing each burner (three on the wok burner).
6. Partially lift the hob and unplug the electrode on the simmer burner (CAUTION: the edge can be sharp).
7. Unscrew the orifices and replace them with the correct ones. (Size numbers are stamped on the side e.g. 70 = 0.70mm).
8. Set the brass venturi on the wok burner to a distance of $\frac{3}{5}$ " (15mm) as indicated.
9. To replace the hob, repeat steps 4-6 in reverse.

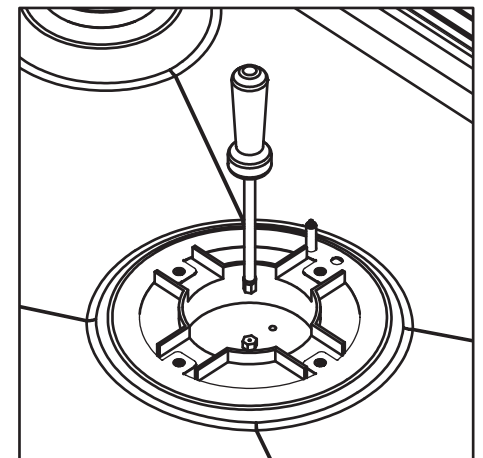


The label supplied with the orifices can be placed over the existing gas label to indicate the change.

High altitude orifices are available from Fisher & Paykel USA (see address).

GC36 NG Kit Part No. 530463
LP Kit Part No. 530464

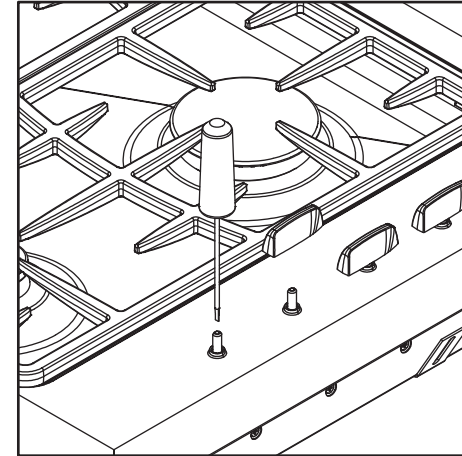
GC901/M NG Kit Part No. 531566
LP Kit Part No. 531567



Changing the orifice
(Note: this diagram is of GC901 but is similar for GC36).

This has been set at the factory for NG but can be checked after the correct pressure has been reached. To adjust for minimum setting, if needed. You will need a $\varnothing 7/64$ " x $1 3/4$ " ($\varnothing 2.5$ x 45mm) screwdriver. (A suitable screwdriver is available as Fisher & Paykel spare part. FB200467).

1. Ignite the burner and set the knob to its minimum position.
2. Remove the knobs.
3. Rotate the turn down screw (down the hole in the spindle) while holding the shaft. Rotate slowly until a minimum regular flame is achieved. (The flame will diminish when the screw is turned clockwise and increase when turned counter clockwise).
4. When the setting is right check regulation by quickly rotating the knob from the maximum to the minimum delivery position. The flame must not go out and the autoreignition should not click. Replace the knob.



Minimum setting adjustment

(Note: this diagram is of GC901 but is similar for GC36).

See the Product Installation Checklist attached to the product.



A Service Summary is attached to the underside of the product.

For replacement parts or if further help is needed concerning this appliance call:

TOLL FREE 1 888 9 FNP USA (1 888 936 7872)

or write to:

Fisher & Paykel Appliances Inc.

27 Hubble, Irvine

CA 92618

or contact us through our web site,

www.usa.fisherpaykel.com

Free Manuals Download Website

<http://myh66.com>

<http://usermanuals.us>

<http://www.somanuals.com>

<http://www.4manuals.cc>

<http://www.manual-lib.com>

<http://www.404manual.com>

<http://www.luxmanual.com>

<http://aubethermostatmanual.com>

Golf course search by state

<http://golfingnear.com>

Email search by domain

<http://emailbydomain.com>

Auto manuals search

<http://auto.somanuals.com>

TV manuals search

<http://tv.somanuals.com>