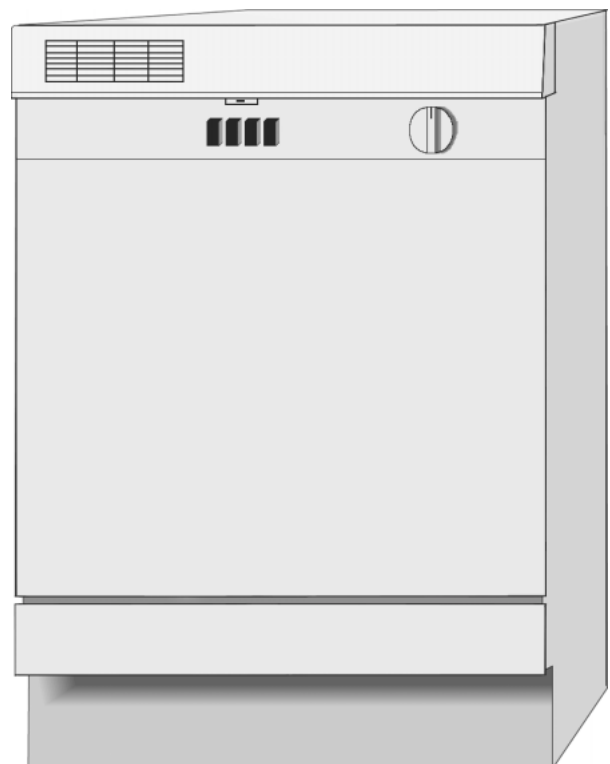


AUTOMATIC DISHWASHER

Models
262M 272S 282E 292T
3886M 3886S 3886T L80
M80 S80



599025

PRODUCTS

Brand Fisher & Paykel, Frigidaire, Kelvinator, Shacklock, Whiteway

Voltage 220-240V 50Hz

Model **Code**

262M 83051

272S 83948 83949 87028 89458 89459

282E 83958 83959 87038 89468 89469

292T 83968 83969 87018 87095 89478 89479

3886M 82927 82928 82935 82936 83942 83943 83946 83947 87058
87062 89441 89442 89445 89446

3886S 82924 82925 82933 82934 83939 83940 83944 83945 87055
89438 89439 89443 89444

3886T 87071

L80 82948 82949

M80 82914

S80 82937 82938

CONTENTS

DOOR PANELS AND CONTROLS.....	6
CABINET.....	16
SUMP AND PUMPS	22
BASKETS AND SPRAY ARMS	26
NOTES	29

GUIDE TO USING THIS MANUAL

The model(s) and/or series covered by this manual are listed on the front cover.

The information detailed in this manual is subject to change without notice, the latest version is indicated by the reprint date and replaces any earlier editions.

The front cover picture shows the type of product and may not necessarily be an exact image of the models covered by the manual.

Part References

Where a Model is shown, the part is exclusive to the Model(s) stated. Common parts relating to a part reference are applicable to all other Model(s) which use the particular item.

Kit Parts

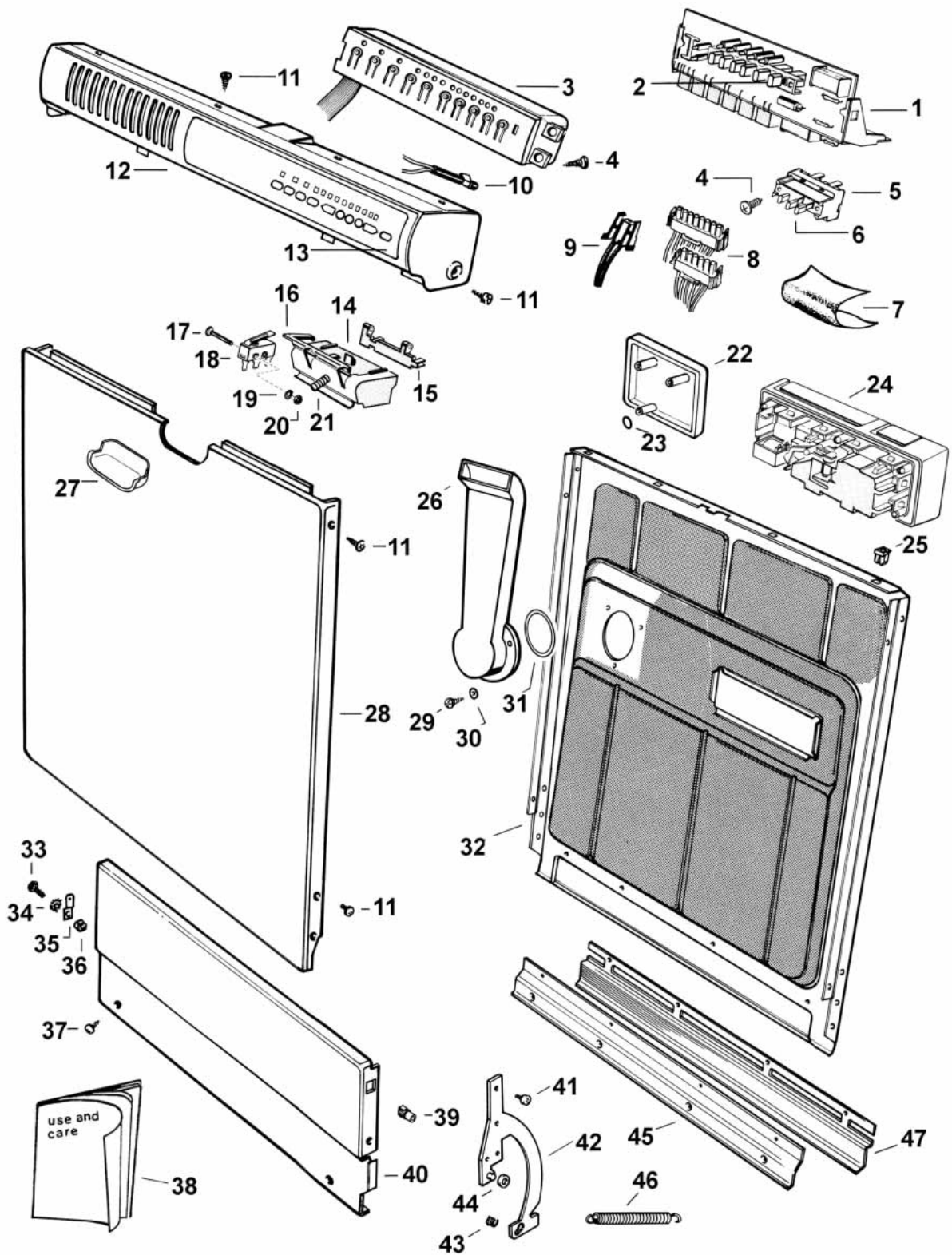
The components shown in *italics* are those parts in the kit which are available also as separate items. In addition, some parts may be supplied with this kit which are not available as separate items and are therefore not listed in this manual.

All details relating to Technical Bulletins or Notes are shown on a dedicated page. The Technical Bulletin Number shown relates to the bulletin version which is produced for New Zealand Service Centres.

Parts List Key

NOT USED	As a part, indicates the diagram part reference is not used in this manual.
#	Beside the part number, indicates the part is no longer available.
<i>italics</i>	Kit components shown in <i>italics</i> are also available separately.
*	Indicates a technical bulletin or note exists for the part or part reference.
NI	As a part reference, indicates the part is not illustrated on the diagram.

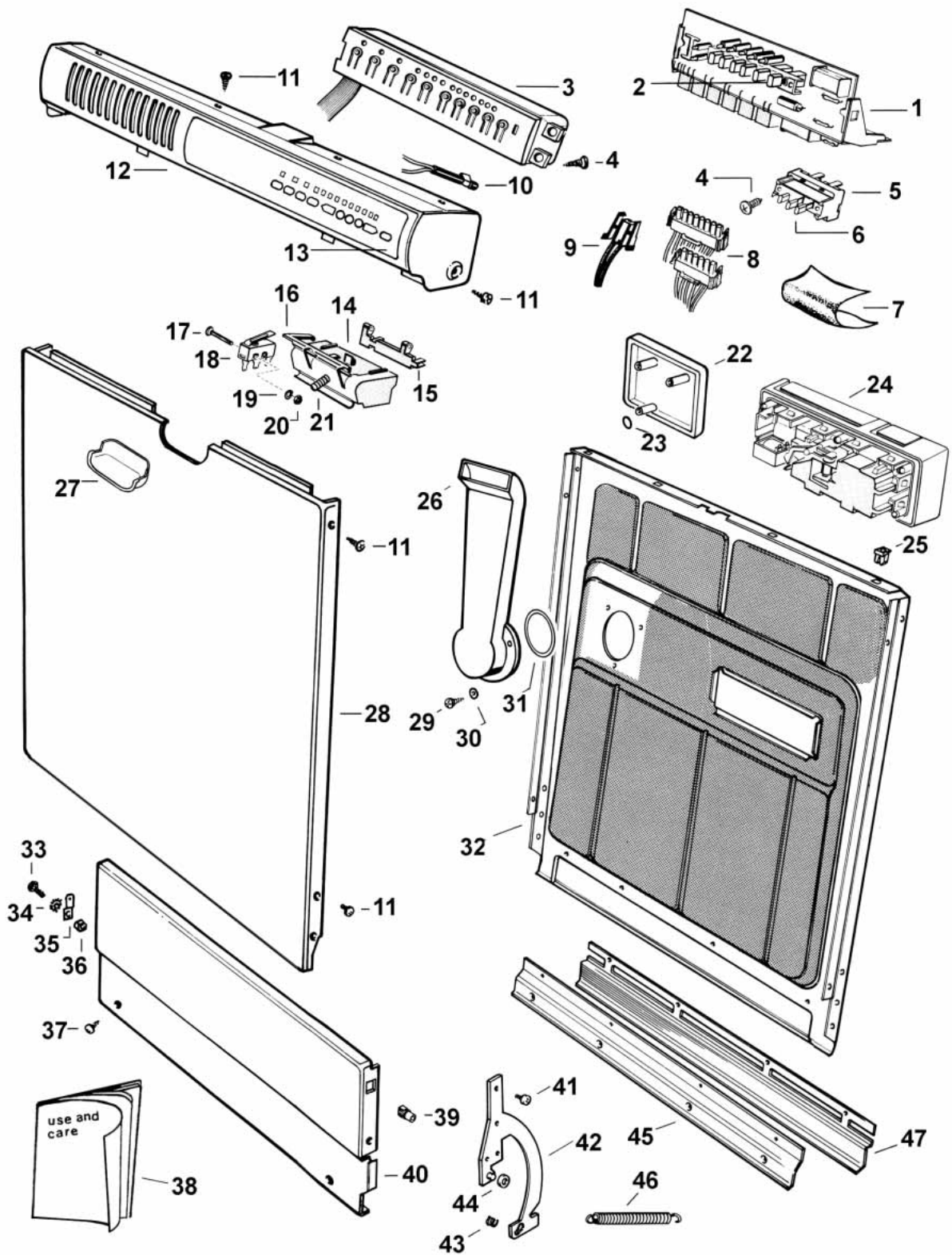
DOOR PANELS AND CONTROLS



DOOR PANELS AND CONTROLS

REF	PART	DESCRIPTION	MODEL
1	473563	SWITCH ASSY 6 BUTTON	272S
	473563	SWITCH ASSY 6 BUTTON	3886S
	473563	SWITCH ASSY 6 BUTTON	S80
2	473593	BUTTON SWITCH ALPS CORAL	
	473594	BUTTON SWITCH ALPS LT SIERRA	
	473595	BUTTON SWITCH DARK SIERRA	
3	473858	PCB ASSY REBUILT/EXCHANGE	282E
	473858	PCB ASSY REBUILT/EXCHANGE	292T
	473858	PCB ASSY REBUILT/EXCHANGE	3886T
	473858	PCB ASSY REBUILT/EXCHANGE	L80
4	556003	SCREW ST 6X3/8 T25 PAN PH NP	
5	473557	SWITCH 3 BUTTON NZC GD3-201A	262M
	473557	SWITCH 3 BUTTON NZC GD3-201A	3886M
	473557	SWITCH 3 BUTTON NZC GD3-201A	M80
6	473599	BUTTON SWITCH NZC CORAL	
	473600	BUTTON SWITCH NZC LIGHT SIERRA	
	473601	BUTTON SWITCH DARK SIERRA	
7	473566	SHIELD SWITCH 3886	
8	473829	HARNESS 6 WIRE CONNECTOR	
	473830	HARNESS 8 WIRE CONNECTOR	
9	473741	SENSOR ASSY TEMPERATURE	282E
	473741	SENSOR ASSY TEMPERATURE	292T
	473741	SENSOR ASSY TEMPERATURE	3886T
10	471163	NEON ASSY	3886M
11	556007	SCREW ST 8X12MM TA MTS PH SS	
12	473769	HANDLE & PIVOT LATCH 3886M WW	262M
	473554	<i>PIVOT LATCH</i>	
	473770	HANDLE & PIVOT LATCH 3886S OY	272S
	473554	<i>PIVOT LATCH</i>	
	473771	HANDLE & PIVOT LATCH 3886S SA	272S
	473554	<i>PIVOT LATCH</i>	
	473772	HANDLE & PIVOT LATCH 3886S WW	272S
	473554	<i>PIVOT LATCH</i>	
	473824	HANDLE MOULDING 282E L80 WHITE	282E
	473554	<i>PIVOT LATCH</i>	
	473825	HANDLE MOULDING 282E SANDSTONE	282E
	473554	<i>PIVOT LATCH</i>	

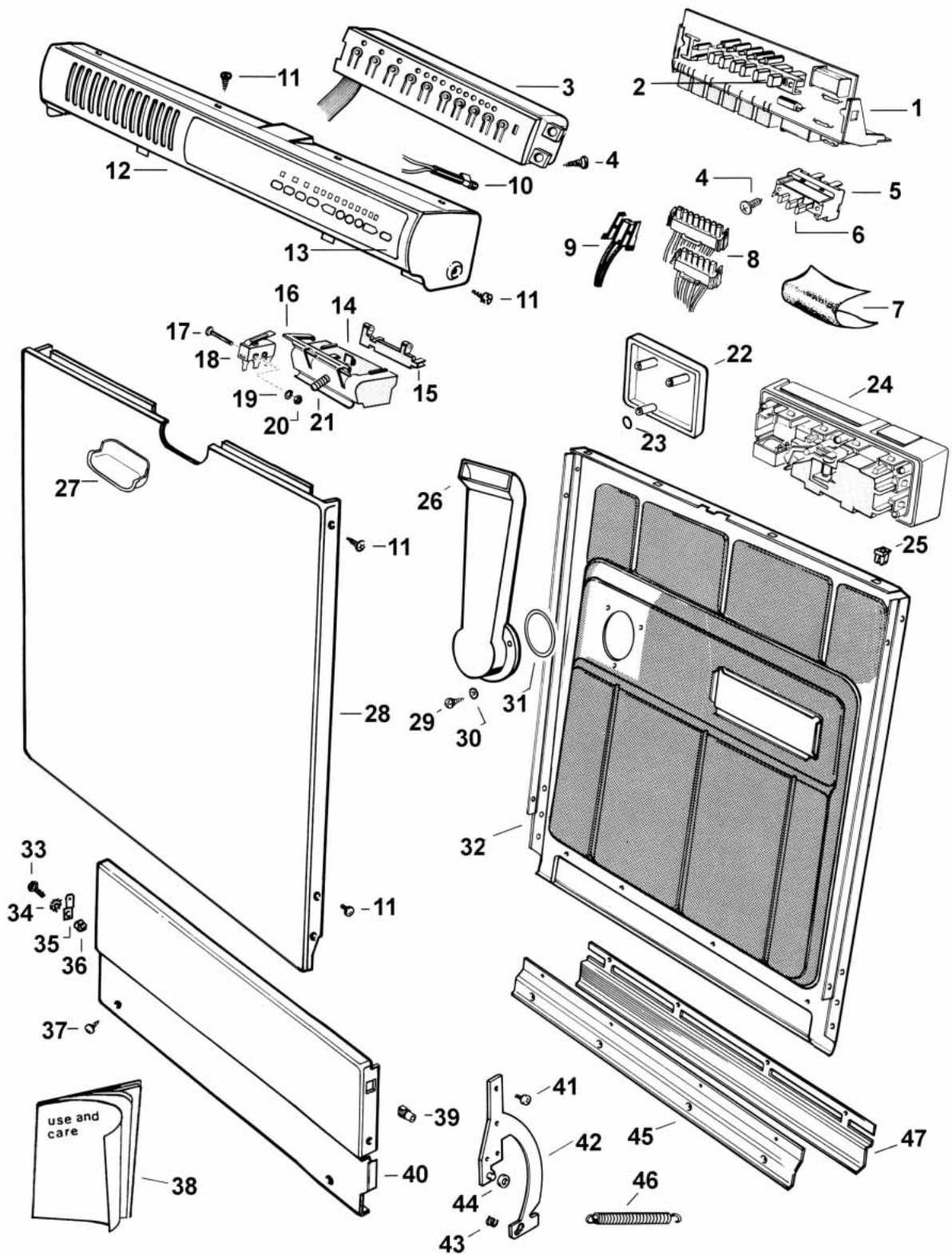
DOOR PANELS AND CONTROLS



DOOR PANELS AND CONTROLS

REF	PART	DESCRIPTION	MODEL
12	473826	HANDLE MOULDING 282E L80OYSTER	282E
	473554	<i>PIVOT LATCH</i>	
	473766	HANDLE & PIVOT LATCH 3886T WW	292T
	473554	<i>PIVOT LATCH</i>	
	473773	HANDLE & PIVOT LATCH 3886T OY	292T
	473554	<i>PIVOT LATCH</i>	
	473769	HANDLE & PIVOT LATCH 3886M WW	3886M
	473554	<i>PIVOT LATCH</i>	
	473573	HANDLE & PIVOT LATCH ASSY SIER	3886S
	473554	<i>PIVOT LATCH</i>	
	473770	HANDLE & PIVOT LATCH 3886S OY	3886S
	473554	<i>PIVOT LATCH</i>	
	473771	HANDLE & PIVOT LATCH 3886S SA	3886S
	473554	<i>PIVOT LATCH</i>	
	473772	HANDLE & PIVOT LATCH 3886S WW	3886S
	473554	<i>PIVOT LATCH</i>	
	473766	HANDLE & PIVOT LATCH 3886T WW	3886T
	473554	<i>PIVOT LATCH</i>	
	473773	HANDLE & PIVOT LATCH 3886T OY	3886T
	473554	<i>PIVOT LATCH</i>	
	473824	HANDLE MOULDING 282E L80 WHITE	L80
	473554	<i>PIVOT LATCH</i>	
	473826	HANDLE MOULDING 282E L80OYSTER	L80
	473554	<i>PIVOT LATCH</i>	
	473769	HANDLE & PIVOT LATCH 3886M WW	M80
	473554	<i>PIVOT LATCH</i>	
	473770	HANDLE & PIVOT LATCH 3886S OY	S80
	473554	<i>PIVOT LATCH</i>	
	473772	HANDLE & PIVOT LATCH 3886S WW	S80
	473554	<i>PIVOT LATCH</i>	
13	473620	PANEL CONTROL FISHER & PAYKEL	262M
	473836	PANEL CONTROL KELVINATOR SANDS	272S
	473844	PANEL CONTROL FRIGIDAIRE SANDS	272S
	473849	PANEL CONTROL FISHER & PAYKEL	272S
	473845	PANEL CONTROL FRIGIDAIRE OYSTE	282E
	473846	PANEL CONTROL FRIGIDAIRE SANDS	282E
	473850#	PANEL CONTROL FISHER & PAYKEL WHITE	282E

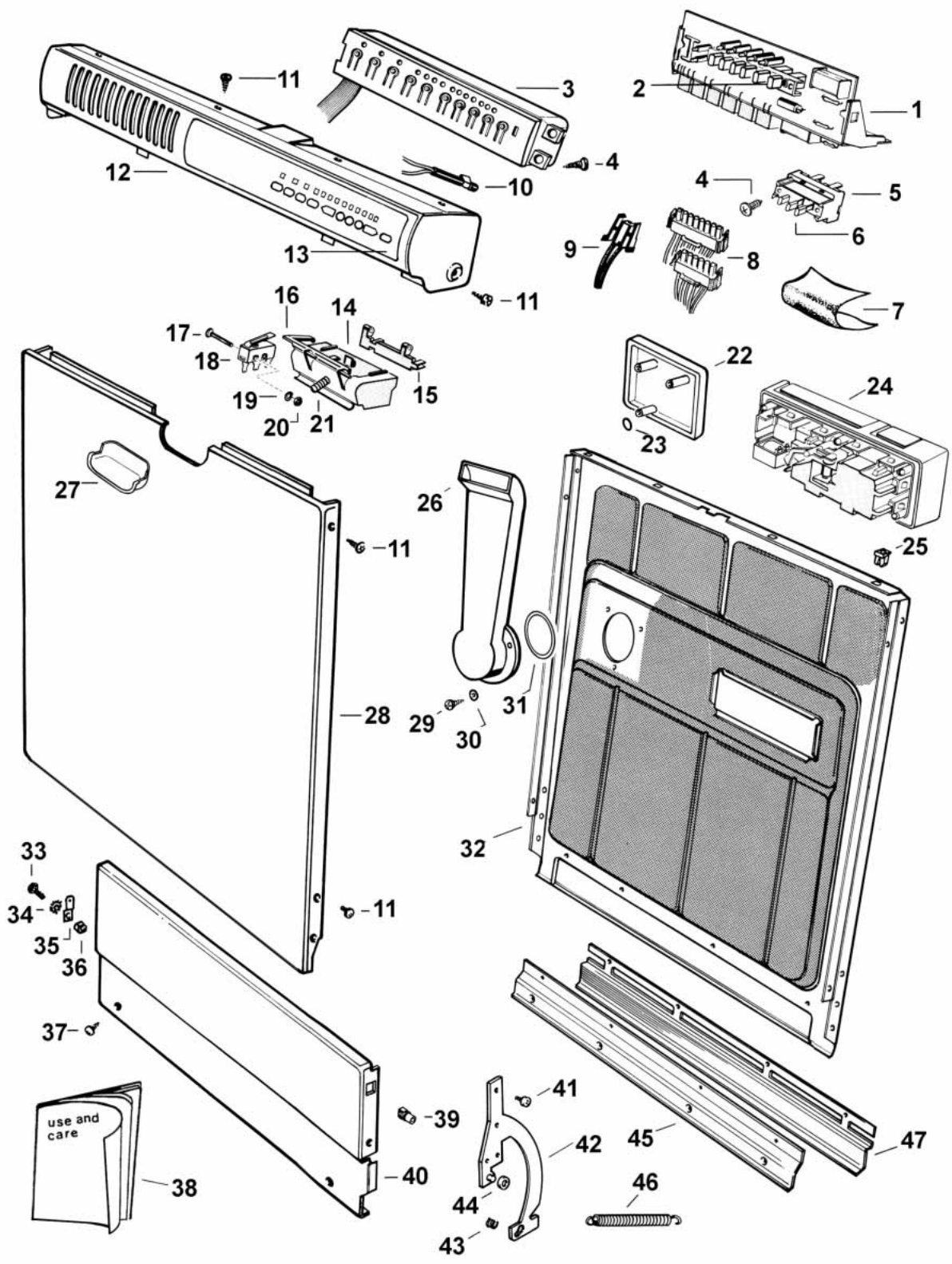
DOOR PANELS AND CONTROLS



DOOR PANELS AND CONTROLS

REF	PART	DESCRIPTION	MODEL
13	473726	PANEL CONTROL FISHER & PAYKEL	292T
	473840	PANEL CONTROL KELVINATOR SANDS	292T
	473848	PANEL CONTROL FRIGIDAIRE SANDS	292T
	473620	PANEL CONTROL FISHER & PAYKEL	3886M
	473627	PANEL CONTROL FRIGIDAIRE SIERR	3886M
	473617	PANEL CONTROL KELVINATOR SIERR	3886S
	473619	PANEL CONTROL FRIGIDAIRE SIERR	3886S
	473836	PANEL CONTROL KELVINATOR SANDS	3886S
	473844	PANEL CONTROL FRIGIDAIRE SANDS	3886S
	473849	PANEL CONTROL FISHER & PAYKEL	3886S
	473854	PANEL CONTROL SHACKLOCK OYSTER	3886S
	473726	PANEL CONTROL FISHER & PAYKEL	3886T
	473855	PANEL CONTROL SHACKLOCK WHITE	L80
	473856	PANEL CONTROL SHACKLOCK OYSTER	L80
	473620	PANEL CONTROL FISHER & PAYKEL	M80
	473849	PANEL CONTROL FISHER & PAYKEL	S80
	473854	PANEL CONTROL SHACKLOCK OYSTER	S80
14	473576	HANDLE LATCH WHITE	
	473577	HANDLE LATCH SIERRA	
	473719#	HANDLE LATCH SANDSTONE	
15	473554	PIVOT LATCH	
16	473579	LEVER MICROSWITCH	
17	556051	SCREW MC M3X20 PAN PH MS NP	
18	274002	MICROSWITCH LID AW & DOOR DW	
19	556512	WASHER LOCK 3MM EXT SERR ST BU	
20	556103	NUT M3 HEX FS MS NIPL	
21	473553	SPRING LATCH	
22	473545	COVER VENT	
23	473787#	O RING VENT COVER	
24	473565	DISPENSER D/RA ELBI 540.50500	
		<i>502091 LID RINSE AID</i>	
		<i>502156 COIL</i>	
		<i>502157 LID DETERGENT</i>	
		<i>502161 PLUNGER</i>	
		<i>502162 CAP PLUNGER</i>	
25	388482	FASTENER WEDGE	
26	473546	TUBE VENT	

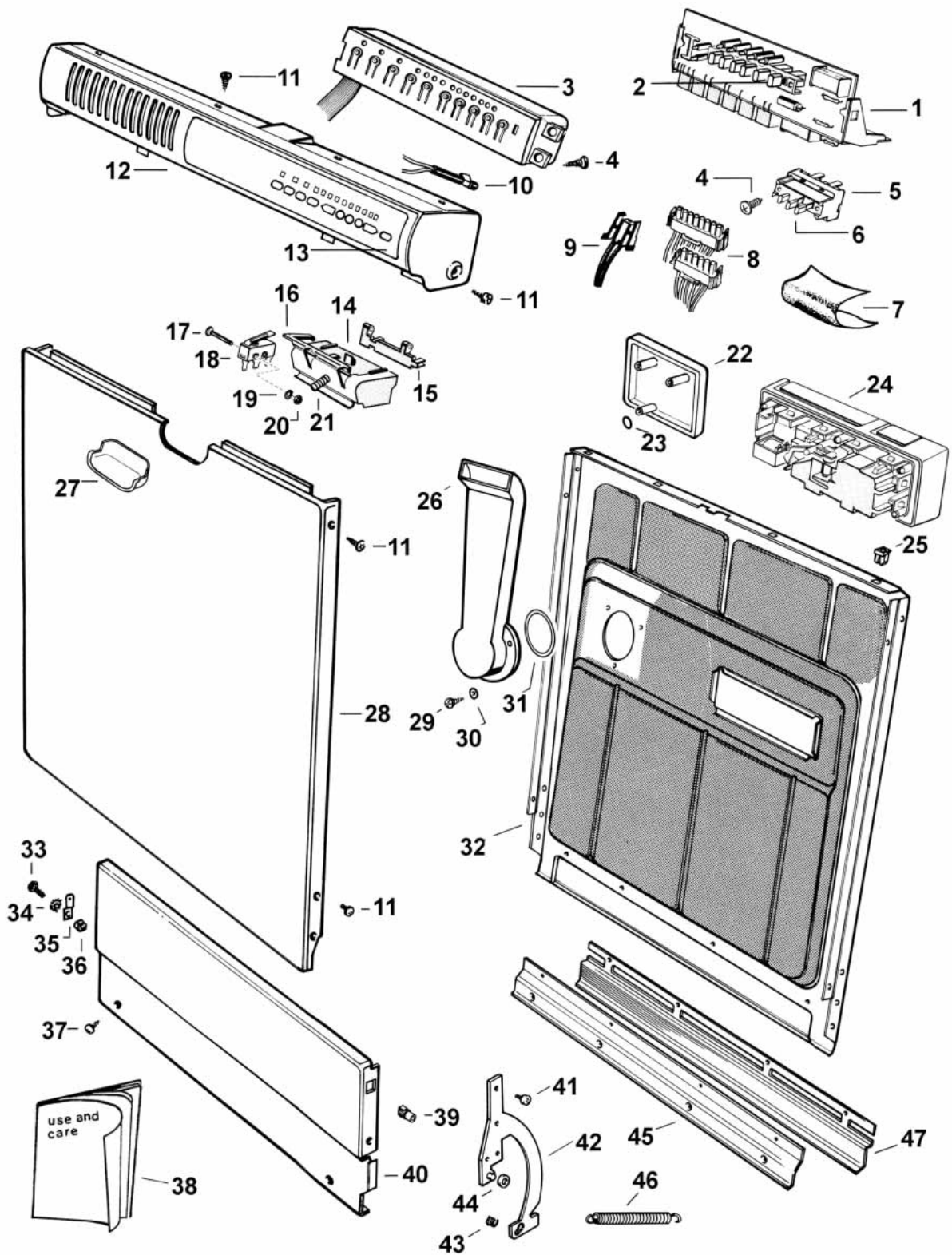
DOOR PANELS AND CONTROLS



DOOR PANELS AND CONTROLS

REF	PART	DESCRIPTION	MODEL
27	473585	PLATE RECESS WHITE	
	473586	PLATE RECESS ALMOND	
	473587#	PLATE RECESS SIERRA	
	473672#	PLATE RECESS SANDSTONE	
28	473589	DOOR OUTER PANEL WHITE	
	473590#	PANEL DOOR OUTER ALMOND	
	473591#	PANEL DOOR OUTER SIERRA	
	473673#	PANEL DOOR OUTER SANDSTONE	
29	556043	SCREW ST 8X5/8 T25 PAN PH NIPL	
30	473193#	WASHER 3/16X1/2X1/32 SS	
31	473562	GASKET VENT TUBE	
32	473669#	PANEL DOOR INNER SOUND DEADENED	
33	556018	SCREW MC M4X8 HEX PH MS NP	
34	611402	WASHER LOCK M4 ET ZNPL	
35	461571	TERM EARTH H1889ET	
36	611103P	NUT M4 HEX FS (PKT 10)	
37	556036	SCREW ST 8X10MM TAB MTS PH NP	
38	473631#	CARD USE & CARE	262M
	473628	CARD USE & CARE	272S
	473832	CARD USE & CARE	282E
	473746	CARD USE & CARE	292T
	473631#	CARD USE & CARE	3886M
	473628	CARD USE & CARE	3886S
	473746	CARD USE & CARE	3886T
	473832	CARD USE & CARE	L80
	473631#	CARD USE & CARE	M80
	473628	CARD USE & CARE	S80
39	521080	PEG SERVICE PANEL 3887	
40	473214	PANEL SERVICE WHITE	
	473610#	PANEL SERVICE SANDSTONE	
41	556042	SCREW MC M5X10 PAN PH SS	
42	521357	KIT HINGE QUADRANT (RIVET) LH	
	521358	KIT HINGE QUADRANT (RIVET) RH	
43	404045	GROMMET HINGE QUADRANT	
44	556508	WASHER 7.2 12.7 1.0 NYLON	
45	388824	SPRING HINGE	
46	388220	MOAT BAFFLE	

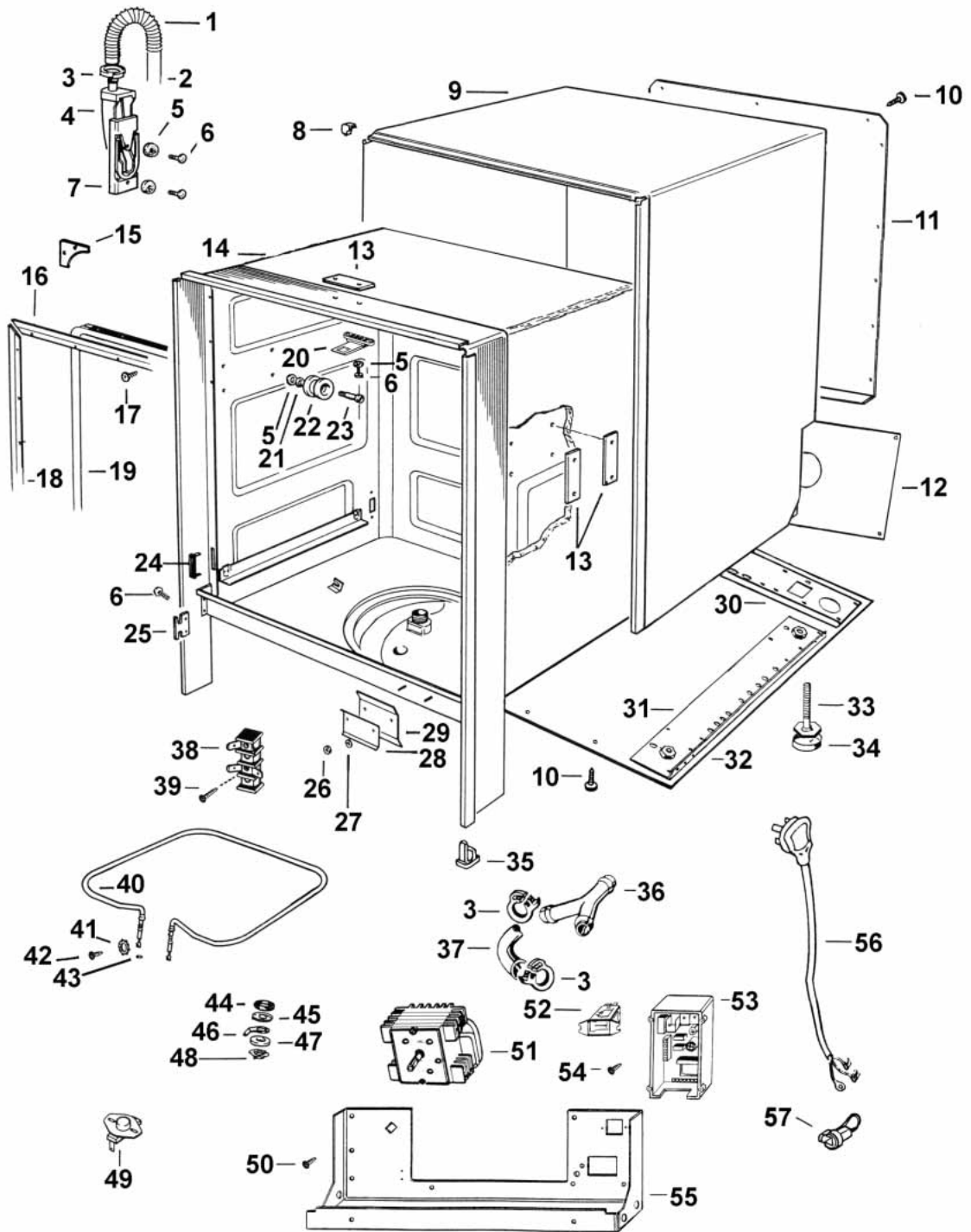
DOOR PANELS AND CONTROLS



DOOR PANELS AND CONTROLS

REF	PART	DESCRIPTION	MODEL
47	388223	MOAT SPLASHGUARD	
NI	* 473670	SPACER SWITCH LOCKING	272S
	* 473670	SPACER SWITCH LOCKING	3886S
	* 473670	SPACER SWITCH LOCKING	S80
NI	473403	LEAFLET INSTALLATION INSTRUCTI	
NI	473607#	LABEL WIRING DIAGRAM	262M
	473606	LABEL WIRING DIAGRAM	272S
	473745#	LABEL WIRING DIAGRAM	292T
	473607#	LABEL WIRING DIAGRAM	3886M
	473606	LABEL WIRING DIAGRAM	3886S
	473745#	LABEL WIRING DIAGRAM	3886T
	473745#	LABEL WIRING DIAGRAM	L80
	473607#	LABEL WIRING DIAGRAM	M80
	473606	LABEL WIRING DIAGRAM	S80
NI	* 473689	SPRING SWITCH	272S
	* 473689	SPRING SWITCH	3886S
	* 473689	SPRING SWITCH	S80
NI	* 473758	KIT MICROSWITCH 3886M (SPARES)	3886M
	* 473757	KIT MICROSWITCH 3886S (SPARES)	3886S
	* 473758	KIT MICROSWITCH 3886M (SPARES)	M80
	* 473757	KIT MICROSWITCH 3886S (SPARES)	S80

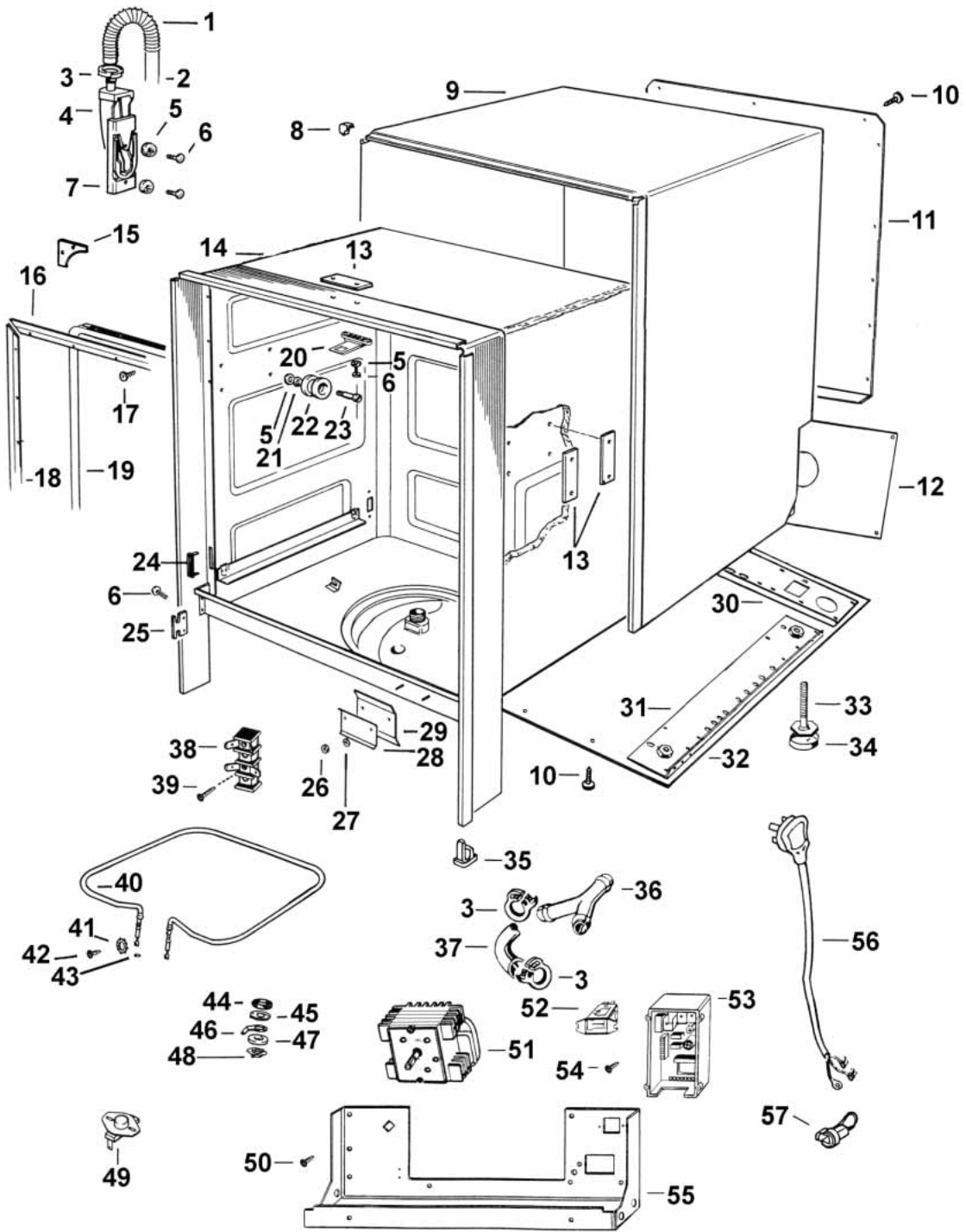
CABINET



CABINET

REF	PART	DESCRIPTION	MODEL
1	388454	SPRING HOSE	
2	473371	HOSE FILL (3885/6S)	
	388921	HOSE FILL LONG 810MM	262M
	388921	HOSE FILL LONG 810MM	3886M
	388921	HOSE FILL LONG 810MM	M80
3	473677	CLAMP HOSE HERBIE TYPE F	
4	404067	FUNNEL FILL	
5	556505	WASHER 5.3 15.0 BONDED SS/RUBR	
6	556042	SCREW MC M5X10 PAN PH SS	
7	473326	BRACKET FILL FUNNEL POWDER CTD	
8	388926	TRIM CORNER SIERRA	
	473439	TRIM CORNER LIGHT SIERRA	
	473537	TRIM CORNER OYSTER	
9	473211	WRAPPER CABINET WHITE	
	473212#	WRAPPER ALMOND	
	473213	WRAPPER SIERRA	
	473609#	WRAPPER SANDSTONE	
10	611979P	SCREW ST 8X3/8 TAB MUSH PH X10	
11	388998#	PANEL BACK	
12	388880#	PANEL LOWER REAR	
13	388255	PLATE TAPPING	
14	521091	SOUND ABSORBER BLANKET	
15	473555	GUSSET GASKET CORNER RH	
	473556	GUSSET GASKET CORNER LH	
16	388353	RETAINER GASKET UPPER	
17	556007	SCREW ST 8X12MM TA MTS PH SS	
18	388370	RETAINER GASKET RH	
	388371	RETAINER GASKET LH	
19	473543	GASKET DOOR DW	
20	473582	TONGUE LATCH	
21	556508	WASHER 7.2 12.7 1.0 NYLON	
22	521187	ROLLER TUB GREY	
23	388245	ROLLER STUD TUB	
24	521193	GUIDE QUADRANT GREY	
25	473231	PLATE HINGE	
26	611103P	NUT M4 HEX FS (PKT 10)	
27	556506#	WASHER 5/32X7/16 20BG MS NIPL	

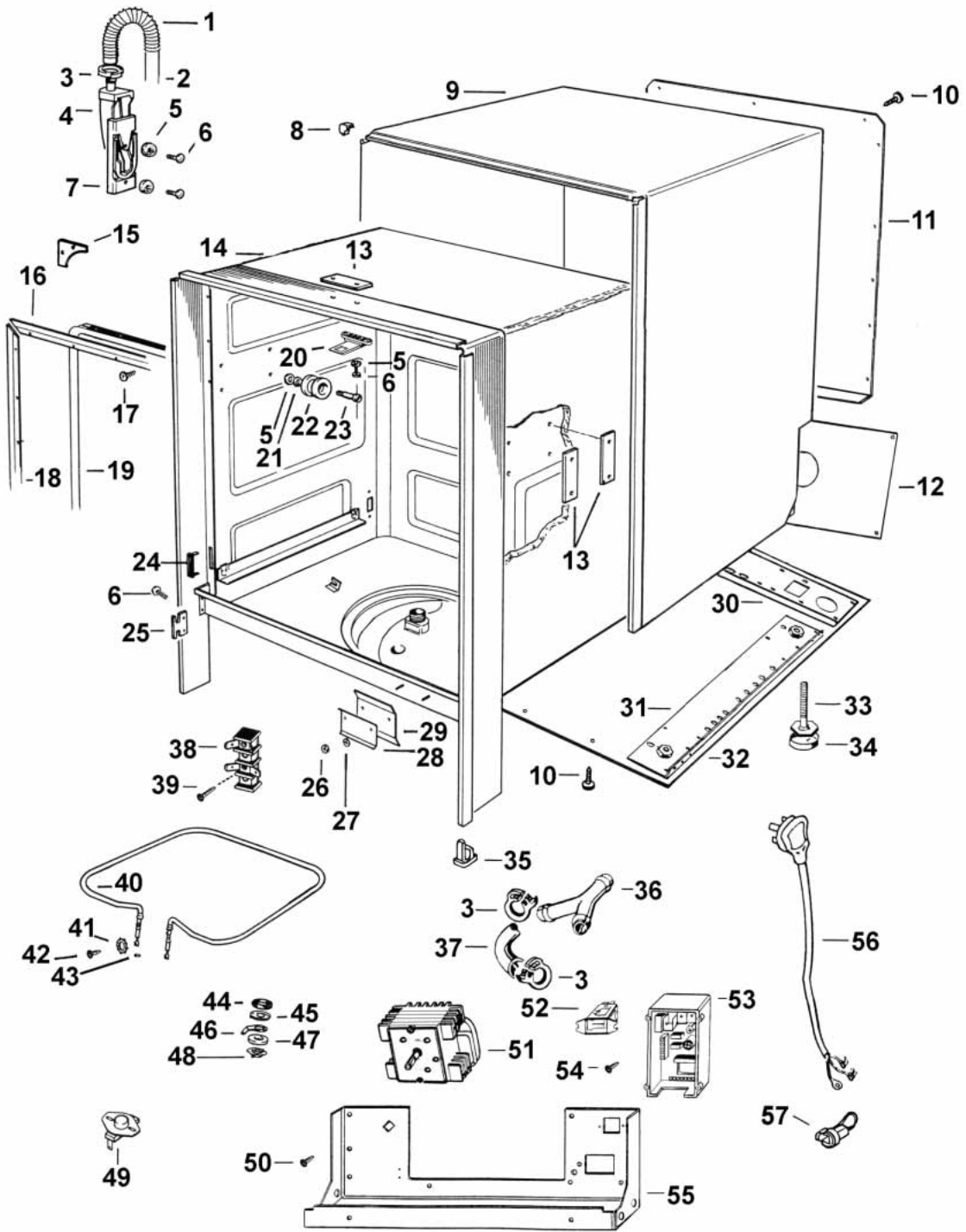
CABINET



CABINET

REF	PART	DESCRIPTION	MODEL
28	388228	CLAMP WIRING	
29	521129	INSULATOR STRIP 3887	
30	473294	CHASSIS REAR MEMBER	
31	473295	CHASSIS SIDE MEMBER	
32	388876	COVER CHASSIS	
33	473059	FOOT LEVELLING M8	
34	572850	FOOT PROTECTOR M8	
35	473815	CAP FRAME	
36	404831	Y UNION	
37	388922	HOSE FILL 215MM	
38	410182	TERMINAL BLOCK TB02-637/1	
39	556037#	SCREW ST 8X5/8 TAB PAN PH HS NIPL	
40	* 503894	KIT HEATER ELEMENT	
		<i>473821 BRACKET SUPPORT EXTD ELMNT(SP)</i>	
		<i>521343 ELEMENT ASSY 3886/7 (SPARES)</i>	
41	556513	WASHER LOCK 5/32 EXT SER ST BU	
42	556018	SCREW MC M4X8 HEX PH MS NP	
43	388758	O RING	
44	556502	WASHER 16.2 30.5 4.7 ELASTOPRN	
45	388727	WASHER CUP(ELEMENT)	
46	473202	TERM EYELET H3579ET	
47	556501	WASHER 12.7 28.7 2.0 MS NIPL	
48	556110	NUT SPEED GE 218A2533P04	
49	388847	THERMOSTAT 45DEG	
	388848	THERMOSTAT 59DEG	
	521385	KIT THERMOSTAT MAN-AUTO RESET	
50	556045	SCREW MC M5X8 PAN PH MS NP	
51	473542	TIMER MICROCYCLE 3886/7M	262M
		<i>274784# MOTOR TIMER</i>	
	473541P	TIMER	272S
	473542	TIMER MICROCYCLE 3886/7M	3886M
		<i>274784# MOTOR TIMER</i>	
	473541P	TIMER	3886S
	473542	TIMER MICROCYCLE 3886/7M	M80
		<i>274784# MOTOR TIMER</i>	
	473541P	TIMER	S80
52	473530	RELAY	

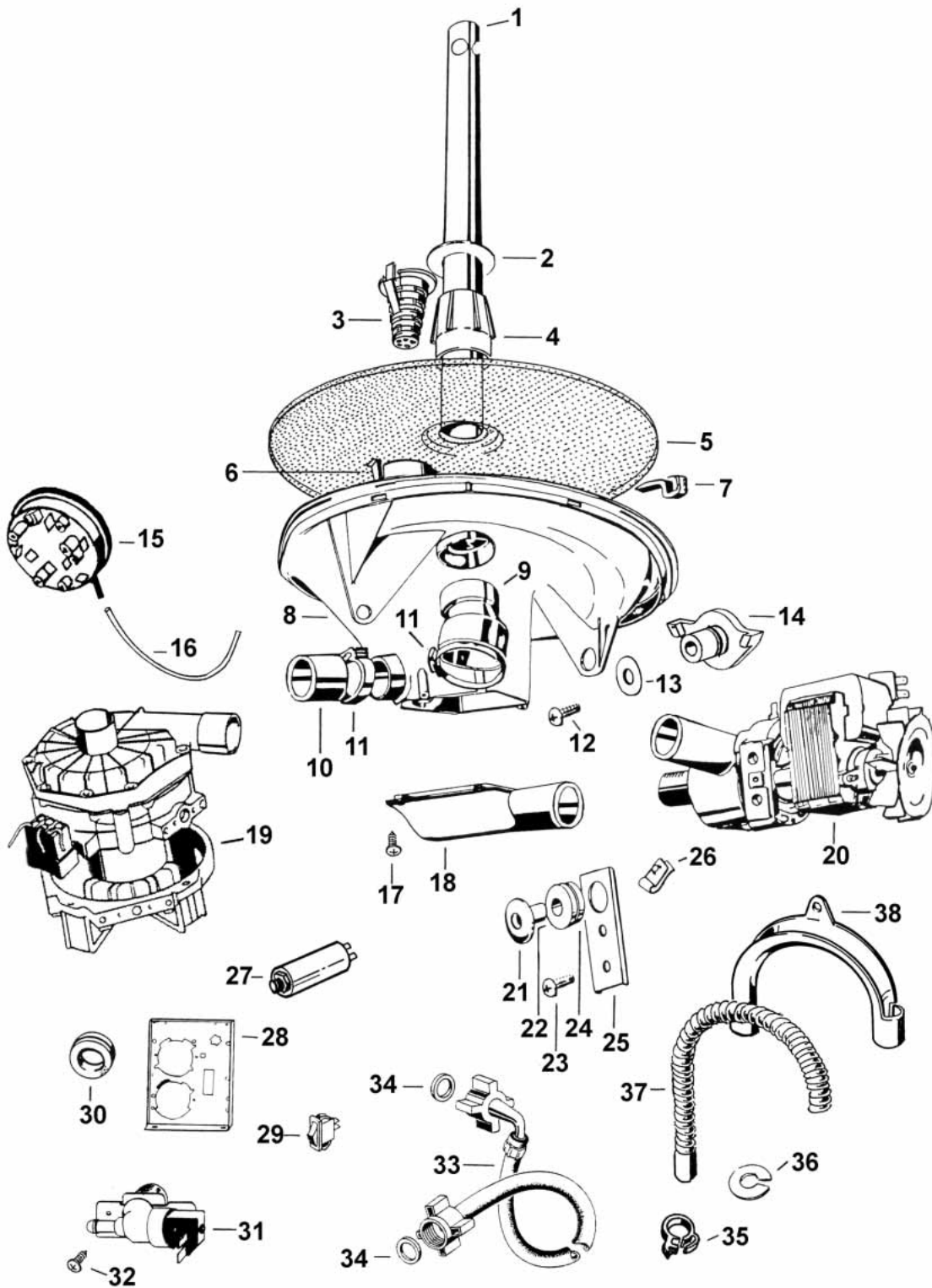
CABINET



CABINET

REF	PART	DESCRIPTION	MODEL
53	473743	PCB POWER REBUILT/EXCHANGE	282E
	473743	PCB POWER REBUILT/EXCHANGE	292T
	473743	PCB POWER REBUILT/EXCHANGE	3886T
	473743	PCB POWER REBUILT/EXCHANGE	L80
54	556003	SCREW ST 6X3/8 T25 PAN PH NP	
55	473760	BRACKET CHASSIS FRONT	
56	473608	FLEX ASSY MAINS 10A 3886/7	
57	388652	GROMMET CORD GRIP Q6543	
NI	556109	NUT M8 SQ HS PRESS MS NIPL	
NI	556002	SCREW ST 6X1/2 TAB HXW PH NP	

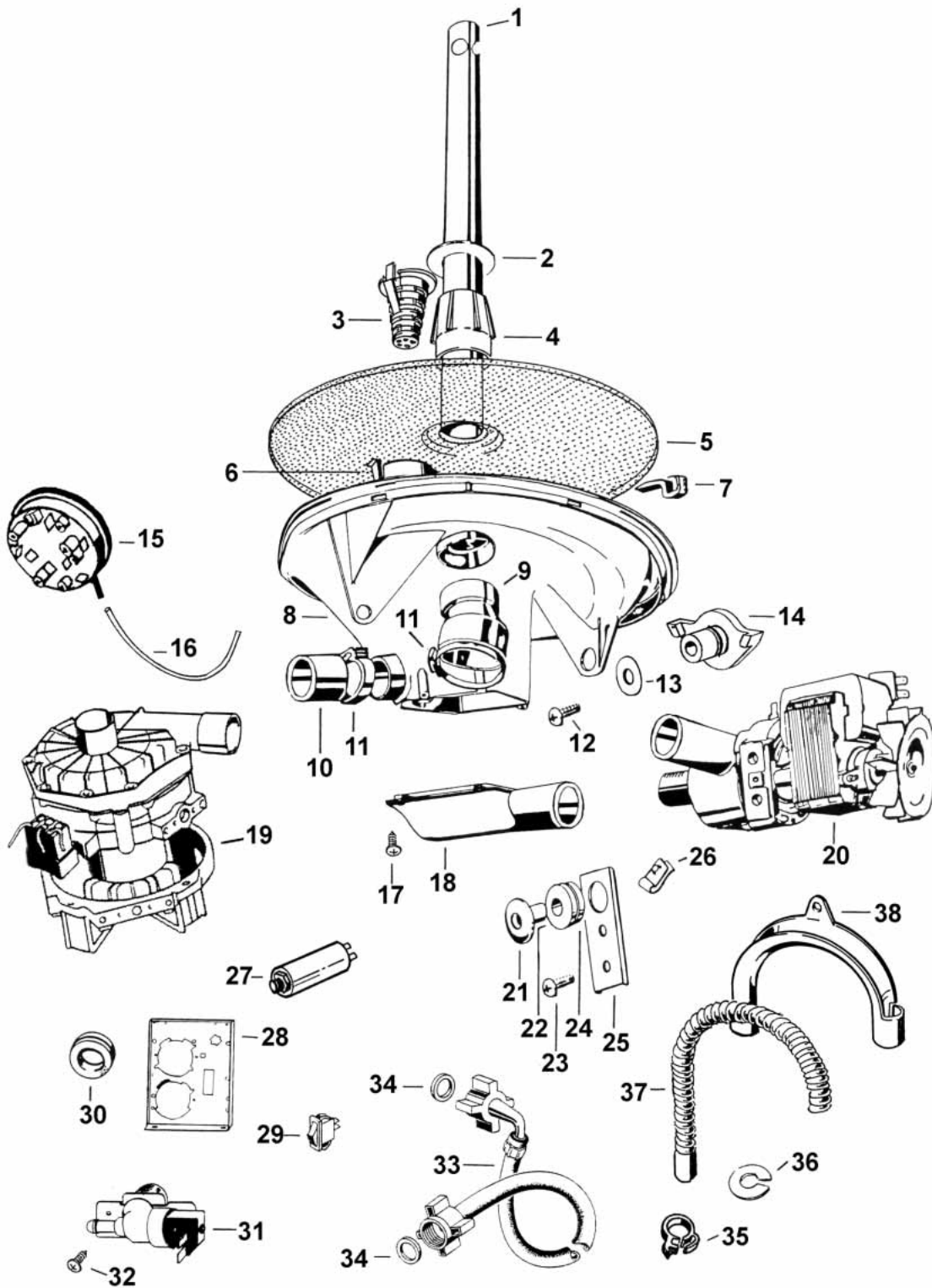
SUMP AND PUMPS



SUMP AND PUMPS

REF	PART	DESCRIPTION	MODEL
1	388906	COLUMN ASSY	
2	473131	WASHER TEFLON	
3	521185	STRAINER GREY	
4	388893	NUT COLUMN	
5	473880	PLATE FILTER PASSIVATED	
6	473349	FUNNEL STRAINER	
7	388898	WEDGE SUMP	
8	473138	KIT SUMP REPLACEMENT (SPARES)	
		<i>388343 SPACER MOUNTING</i>	
		<i>388889 COVER PRESSURE CHAMBER</i>	
		<i>388895 HOSE WASH PUMP OUTLET</i>	
		<i>388898 WEDGE SUMP</i>	
		<i>473197 GROMMET PUMP MTG</i>	
		<i>473641 CLAMP HOSE HERBIE TYPE S</i>	
		<i>473725 GASKET PRESSURE CHAMBER COVER</i>	
	*	<i>473788 BRACKET SPACER</i>	
		<i>473816 O RING SUMP</i>	
		<i>556005 SCREW ST 6X5/8 T25 PAN PH NP</i>	
9	388895	HOSE WASH PUMP OUTLET	
10	388891	HOSE WASH PUMP INLET	
11	473641	CLAMP HOSE HERBIE TYPE S	
12	556043	SCREW ST 8X5/8 T25 PAN PH NIPL	
13	556518#	WASHER 4.5X19.0X0.8 MS NIPL	
14	* 473788	BRACKET SPACER	
15	388928	SWITCH PRESSURE	
16	388930	TUBE PRESSURE SWITCH 730MM	
17	556005	SCREW ST 6X5/8 T25 PAN PH NP	
18	388889	COVER PRESSURE CHAMBER	
19	388900P	PUMP WASH HANNING	
		<i>388853P SEAL PUMP</i>	
		<i>473136 HOUSING WASH PUMP</i>	
		<i>473141 O RING PUMP HOUSING</i>	
		<i>473142 IMPELLOR</i>	
		<i>473145# BLOCK TERMINAL</i>	
		<i>502131 KIT CERAMIC & SEAT</i>	
		<i>819 BEARING</i>	
20	388344P	PUMP DRAIN HANNING	

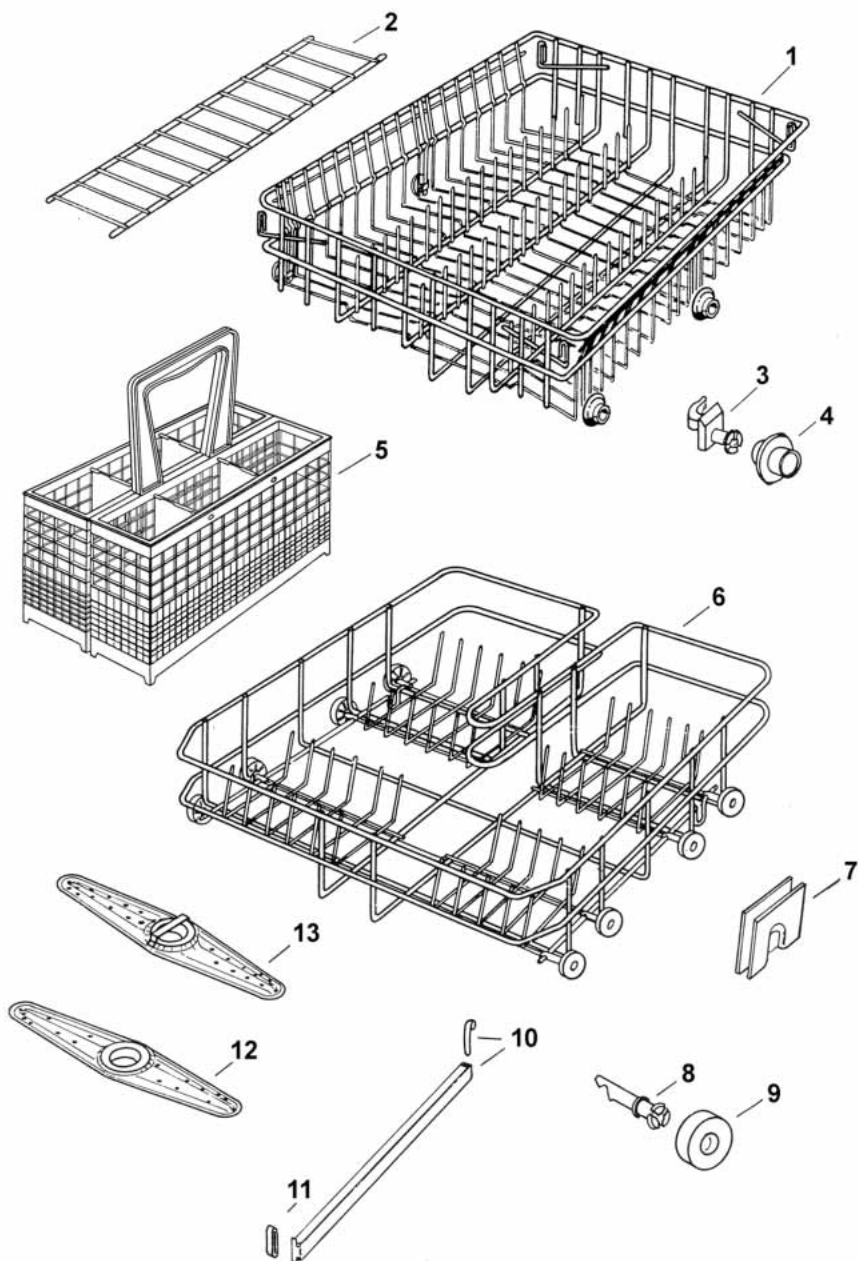
SUMP AND PUMPS



SUMP AND PUMPS

REF	PART	DESCRIPTION	MODEL
21	556507	WASHER 6.5 19.0 0.8 MS NIPL	
22	388343	SPACER MOUNTING	
23	556044	SCREW MC M6X12 PAN PH MS NIPL	
24	473197	GROMMET PUMP MTG	
25	388875	BRACKET PUMP	
26	556101	NUT CAPTIVE JRH CAT 670/28040	
27	* 460833	CAPACITOR 8MF M8 STUD	
28	388879#	BRACKET MOUNTING	
29	572392	SWITCH OUTLET (SIGNALUX) BROWN	
30	473109	GROMMET UNIVERSAL BRACKET	
31	521545	VALVE INLET 5L ELTEK 100500.13	
32	556018	SCREW MC M4X8 HEX PH MS NP	
33	521348	HOSE INLET ASSY WIRSBO HOT	
	521349	HOSE INLET ASSY WIRSBO COLD	
34	400704	CONNECTOR SEAL	
35	473678	CLAMP HOSE HERBIE TYPE M	
36	473347	COLLAR DRAIN HOSE	
37	473345	HOSE DRAIN	
38	473352	SUPPORT DRAIN HOSE	
NI	473130	O RING PRESSURE CHAMBER 64X2.0	
NI	473816	O RING SUMP	
NI	556513	WASHER LOCK 5/32 EXT SER ST BU	
NI	473822	LABEL DUAL/SINGLE VALVE (3886)	

BASKETS AND SPRAY ARMS



BASKETS AND SPRAY ARMS

REF	PART	DESCRIPTION	MODEL
1	521175	BASKET ASSY TOP CROCK 3887 GY	
2	473568	RACK GLASS RETAINING WHITE	
3	473060	ROLLER STUD WHITE	
4	388243	ROLLER BASKET WHITE	
5	473812	BASKET CUTLERY	
6	473819	BASKET ASSY LWR COMP 3886(SP)	
		<i>388365 ROLLER LOWER BASKET</i>	
		<i>473147 BUFFER STOP WHITE</i>	
	*	<i>473820 BUSH WHEEL (NYLON CTD BASKET)</i>	
7	473147	BUFFER STOP WHITE	
8	* 473137	AXLE ROLLER LOWER BASKET WHITE	
	* 473820	BUSH WHEEL (NYLON CTD BASKET)	
9	388365	ROLLER LOWER BASKET	
10	521373A	RAIL & CLIPS ASSEMBLY	
		<i>521332 CAP RAIL TOP BASKET GREY</i>	
		<i>521373 RAIL TOP BASKET</i>	
11	473025	CAP RAIL SIERRA	
12	388886	BOTTOM SPRAY ARM ASSY	
13	388882	TOP SPRAY ARM ASSY	

NOTES

DOOR PANELS AND CONTROLS

Technical Bulletins

473670	DW18
473689	DW21
473757	DW24
473758	DW24

CABINET

Technical Bulletins

503894	DW30
--------	------

SUMP AND PUMPS

Technical Bulletins

460833	DR14
473788	DW30

BASKETS AND SPRAY ARMS

Technical Bulletins

473137	DW33
473820	DW33

Free Manuals Download Website

<http://myh66.com>

<http://usermanuals.us>

<http://www.somanuals.com>

<http://www.4manuals.cc>

<http://www.manual-lib.com>

<http://www.404manual.com>

<http://www.luxmanual.com>

<http://aubethermostatmanual.com>

Golf course search by state

<http://golfingnear.com>

Email search by domain

<http://emailbydomain.com>

Auto manuals search

<http://auto.somanuals.com>

TV manuals search

<http://tv.somanuals.com>