

Dishwashers

MODELS
918TD
818S



599033

PRODUCTS

Brand Fisher & Paykel

Voltage 220-240V 50Hz

Model **Code**

818S 87371 88209

918TD 87351 87378 87426 87477 87478 87479 87480 88205 88217
88218

Fisher & Paykel Customer Services
PO Box 798
19 Enterprise St
Cleveland, Queensland 4163
Australia
Tel: (07) 3826 9122
Fax: (07) 3826 9164
Email: parts@fp.com.au
A.C.N 003 335 171

CONTENTS

DOOR PANELS AND CONTROLS.....	6
CABINET.....	10
BASE AND COMPONENTS.....	14
SUMP AND PUMPS.....	16
BASKETS.....	18
NOTES.....	21

GUIDE TO USING THIS MANUAL

The model(s) and/or series covered by this manual are listed on the front cover.

The information detailed in this manual is subject to change without notice, the latest version is indicated by the reprint date and replaces any earlier editions.

The front cover picture shows the type of product and may not necessarily be an exact image of the models covered by the manual.

Part References

Where a Model is shown, the part is exclusive to the Model(s) stated. Common parts relating to a part reference are applicable to all other Model(s) which use the particular item.

Kit Parts

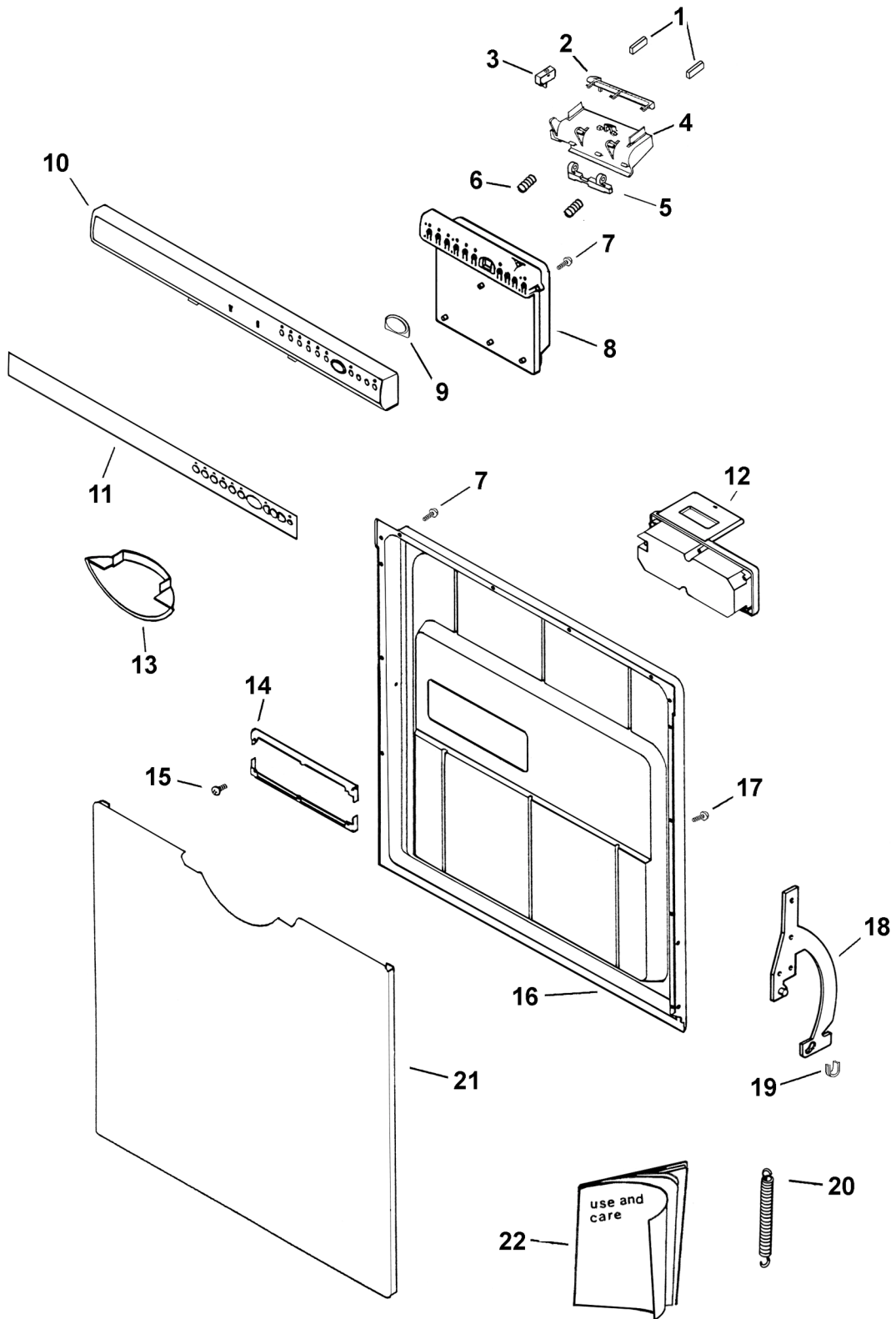
The components shown in *italics* are those parts in the kit which are available also as separate items. In addition, some parts may be supplied with this kit which are not available as separate items and are therefore not listed in this manual.

All details relating to Technical Bulletins or Notes are shown on a dedicated page. The Technical Bulletin Number shown relates to the bulletin version which is produced for New Zealand Service Centres.

Parts List Key

NOT USED	As a part, indicates the diagram part reference is not used in this manual.
#	Beside the part number, indicates the part is no longer available.
<i>italics</i>	Kit components shown in <i>italics</i> are also available separately.
*	Indicates a technical bulletin or note exists for the part or part reference.
NI	As a part reference, indicates the part is not illustrated on the diagram.

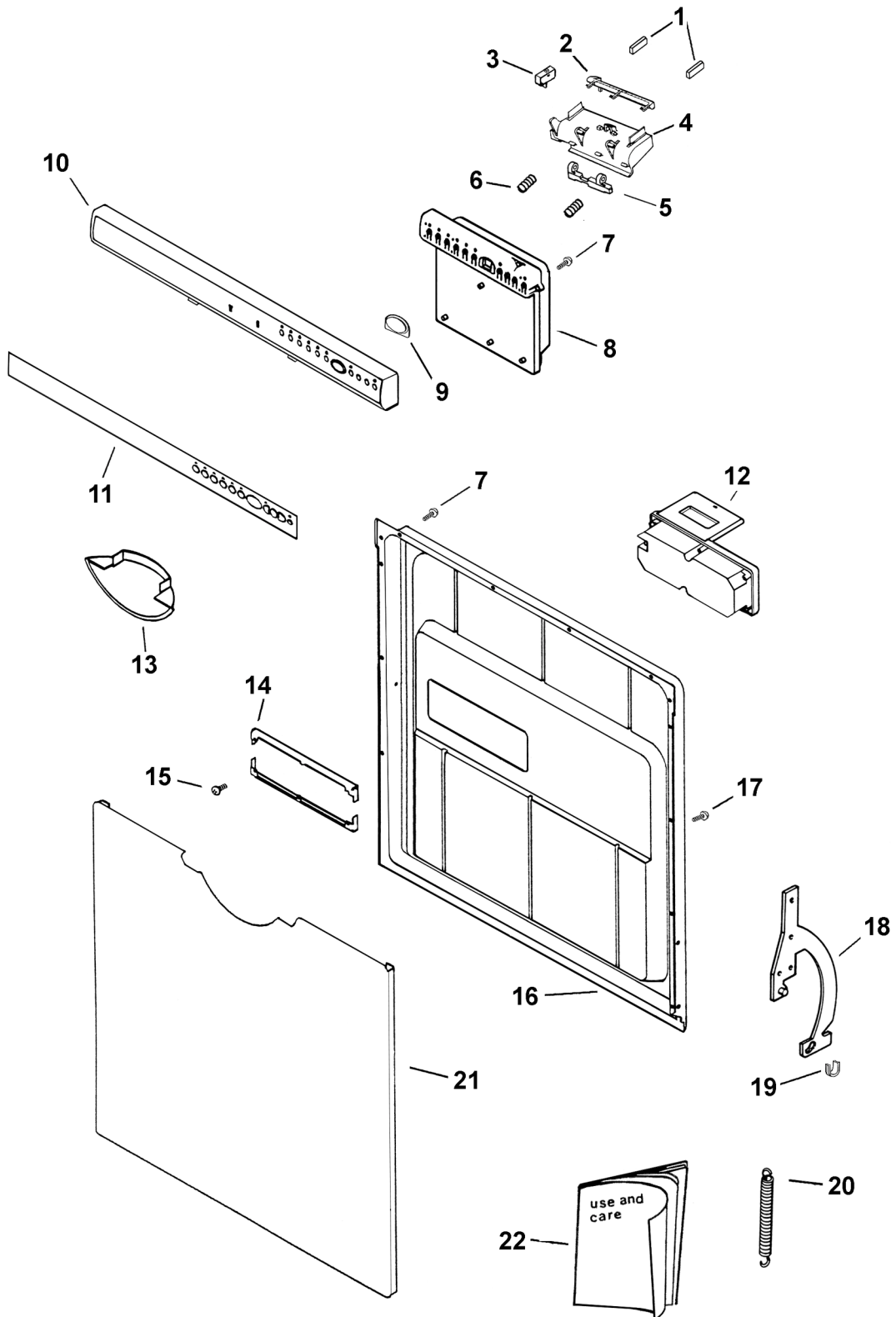
DOOR PANELS AND CONTROLS



DOOR PANELS AND CONTROLS

REF	PART	DESCRIPTION	MODEL
1	521089	STOP LATCH	
2	521559	LEVER MICROSWITCH	
3	521563	MICROSWITCH	
4	521558	LATCH HANDLE	
	521710	LATCH HANDLE BLACK	
5	521065	PIVOT LATCH 3887	
6	521047	SPRING LATCH 3887	
7	556068	SCREW ST K35 X 13 PT MTS TX SS	
8	521560	CONTROLLER CONSOLE REBUILT/EXCHANGE	818S
	521554	CONTROLLER CONSOLE REBUILT/EXCHANGE	918TD
9	521556	LENSE INSERT TIMER	918TD
10	521564	HANDLE MOULDING 818	818S
	521557	HANDLE MOULDING 918	918TD
	521713	HANDLE MOULDING BLACK	918TD
11	521680	INSERT HANDLE F&P 818S WW	818S
	521677	INSERT HANDLE F&P 918TD WW	918TD
	521711	INSERT HANDLE FP 918TD BK HP40	918TD
12	* 521269	DISPENSER D/RA ELTEK 100418.46	
		<i>521322 LID ELTEK 25.0567.00</i>	
		<i>521323 O RING ELTEK 26.0163.00</i>	
		<i>521324 THERMO ACTUATOR ELTEK 10033130</i>	
		<i>521325 CAP FILLER ELTEK 25.0568.00</i>	
		<i>521326P LATCH & O RING</i>	
		<i>521327 O RING ELTEK 26.0164.00</i>	
13	521011	RECESS LATCH WHITE	
	521714	RECESS LATCH BLACK	
14	521270	BRACKET FIXING ELTEK 100348.02	
15	556086	SCREW ST 3.5X12.7 PLAS PNPZ ZP	
16	521275	DOOR INNER PANEL SOUND DEADEND	
17	556007	SCREW ST 8X12MM TA MTS PH SS	
18	521357	KIT HINGE QUADRANT (RIVET) LH	
	521358	KIT HINGE QUADRANT (RIVET) RH	
19	404045	GROMMET HINGE QUADRANT	
20	521565	SPRING HINGE	
21	521250	DOOR OUTER PANEL SOUND DEADEND	
	521702	DOOR OUTER PANEL SS (FORMED)	
	521719	DOOR OUTER PANEL BLACK(FORMED)	

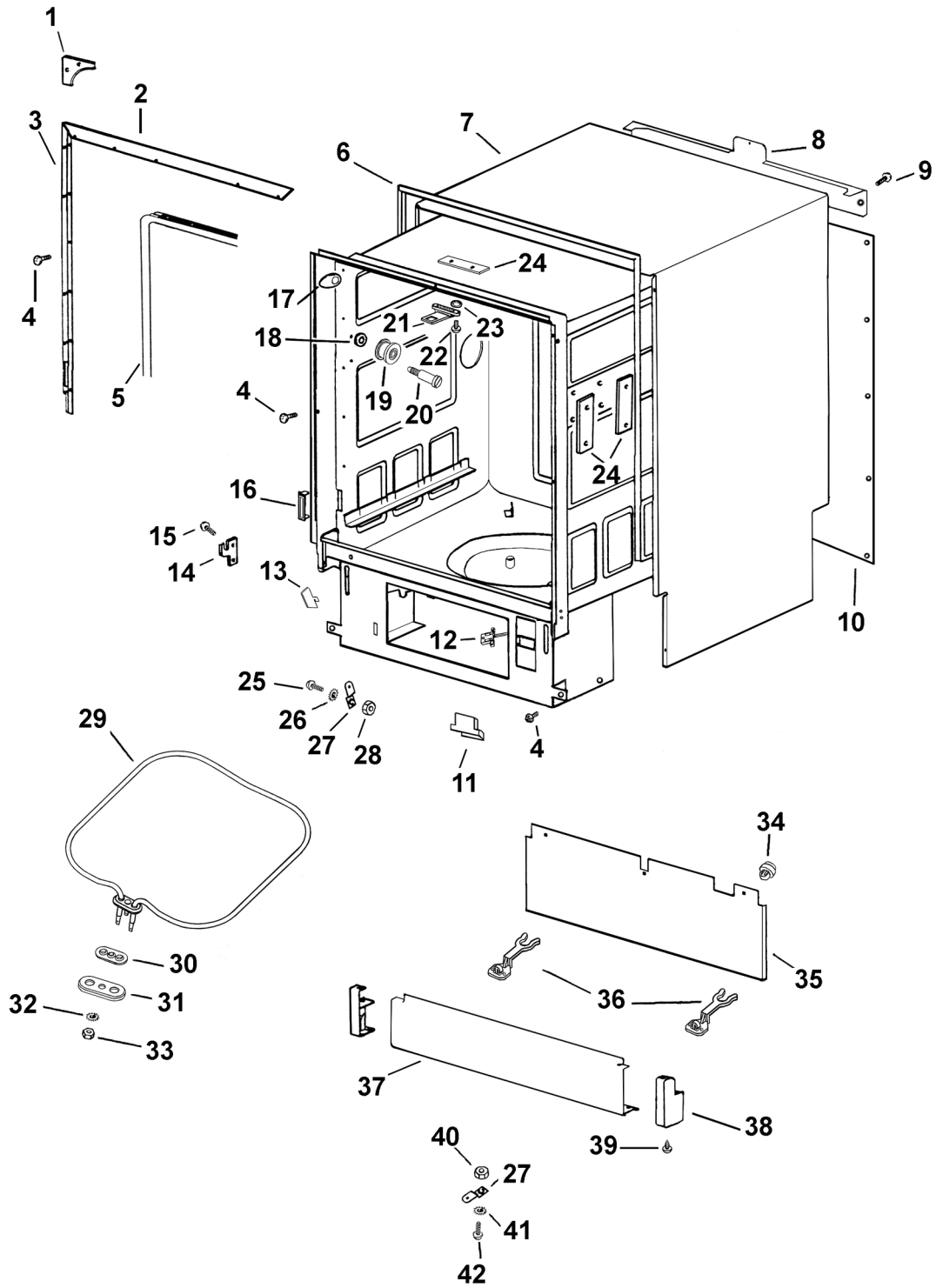
DOOR PANELS AND CONTROLS



DOOR PANELS AND CONTROLS

REF	PART	DESCRIPTION	MODEL
22	521675	BOOK USE & CARE 918	
NI	521679	LABEL WIRING DIAGRAM 918	
NI	521676	CARD INSTAL INSTR 918/818/718	
NI	571972	CARD WARRANTY (NEW ZEALAND)	
NI	473664	CARD WARRANTY F&P AU	

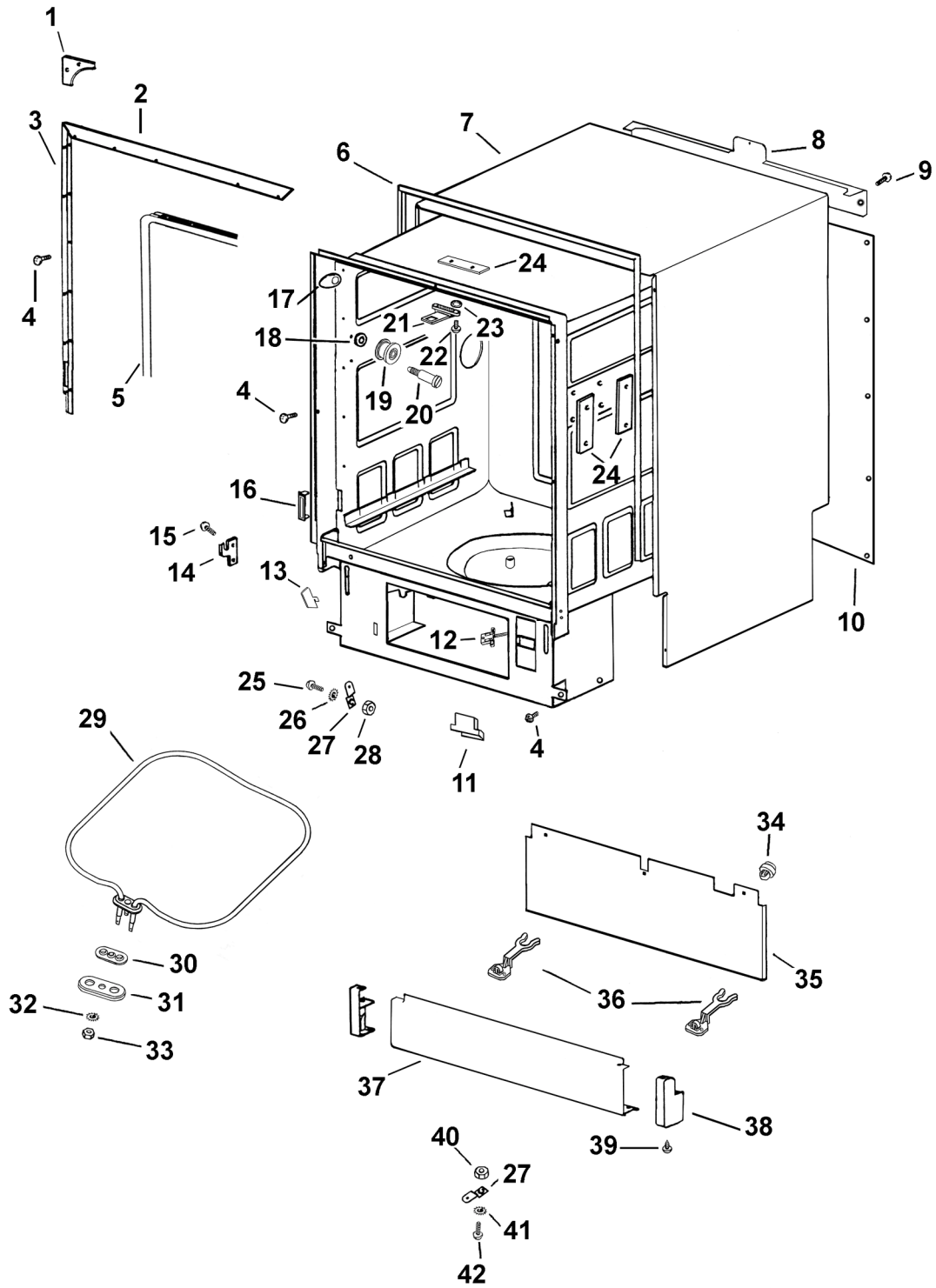
CABINET



CABINET

REF	PART	DESCRIPTION	MODEL
1	473555	GUSSET GASKET CORNER RH	
	473556	GUSSET GASKET CORNER LH	
2	388353	RETAINER GASKET UPPER	
3	388370	RETAINER GASKET RH	
	388371	RETAINER GASKET LH	
4	556007	SCREW ST 8X12MM TA MTS PH SS	
5	473543	GASKET DOOR DW	
6	521053	GASKET SOUND	
	521704	GASKET SOUND BLACK	
7	521577	WRAPPER CABINET WHITE	
8	521584	BRACKET CABINET REAR	
9	611979P	SCREW ST 8X3/8 TAB MUSH PH X10	
10	521595	PANEL REAR	918TD
11	521542	CLAMP WIRE	
12	521691	SENSOR ASSY TEMPERATURE 918	
13	521548	FLAP FLOOD	
14	521003	HINGE PLATE PRESSING	
15	556045	SCREW MC M5X8 PAN PH MS NP	
16	521193	GUIDE QUADRANT GREY	
17	521090	BUFFER FRAME	
18	556505	WASHER 5.3 15.0 BONDED SS/RUBR	
19	521187	ROLLER TUB GREY	
20	388245	ROLLER STUD TUB	
21	521290	TONGUE LATCH 3887	
22	556070	SCREW MC M5X12 PAN PH SS	
23	556520	WASHER M5 13 20G 304 SS	
24	388255	PLATE TAPPING	
25	556094	SCREW MC M5X25 PAN PZ MS ZNPL	
26	556511	WASHER LOCK 3/16 EXT SER ST BU	
27	461571	TERM EARTH H1889ET	
28	556105	NUT M5 HEX FS MS NIPL	
29	521620	ELEMENT 918 U-4487	
30	521381	ELEMENT GASKET 913	
31	521389	ELEMENT RETAINING PLATE 913	
32	556510	WASHER LOCK 6MM INT SERR ST BU	
	556516	WASHER SPRING 6MM ST ZNPL	
33	556113	NUT 1/4UNC HEX FS MS NIPL	

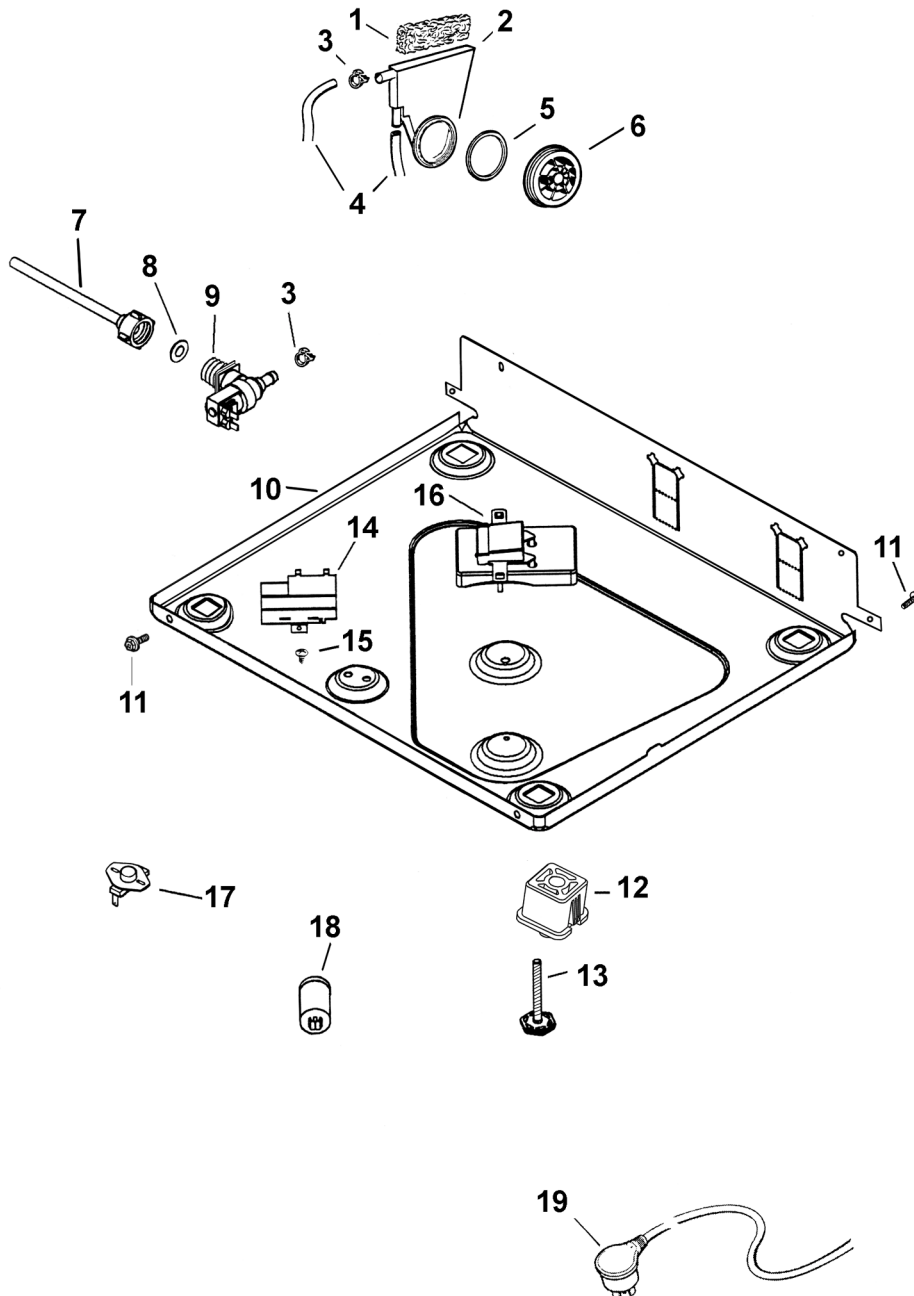
CABINET



CABINET

REF	PART	DESCRIPTION	MODEL
34	521582	PIN SERVICE PANEL TOP	
35	521581	PANEL SERVICE WHITE	
	521709	PANEL SERVICE SS	
	521715	PANEL SERVICE BLACK	
36	521583	CLIP SERVICE PANEL	
37	521578	PANEL DECORATIVE WH (SERVICE)	
	521705	PANEL DECORATIVE SS (SERVICE)	
	521718	PANEL DECORATIVE BK (SERVICE)	
38	521579	ENDCAP DECOR PANEL RH WHITE	
	521580	ENDCAP DECOR PANEL LH WHITE	
	521716	ENDCAP DECOR PANEL LH BLACK	
	521717	ENDCAP DECOR PANEL RH BLACK	
39	556011	SCREW ST 8X12MM TAB MTS PH NP	
40	556104	NUT M4 HEX FS MS NIPL	
41	556513	WASHER LOCK 5/32 EXT SER ST BU	
42	556018	SCREW MC M4X8 HEX PH MS NP	
NI	* 521724	KIT SOUND DEADENING 918	
		<i>521528 BLANKET SERVICE PANEL</i>	
		<i>521529 BLANKET CHASSIS</i>	
		<i>521596 BLANKET INNER DOOR</i>	

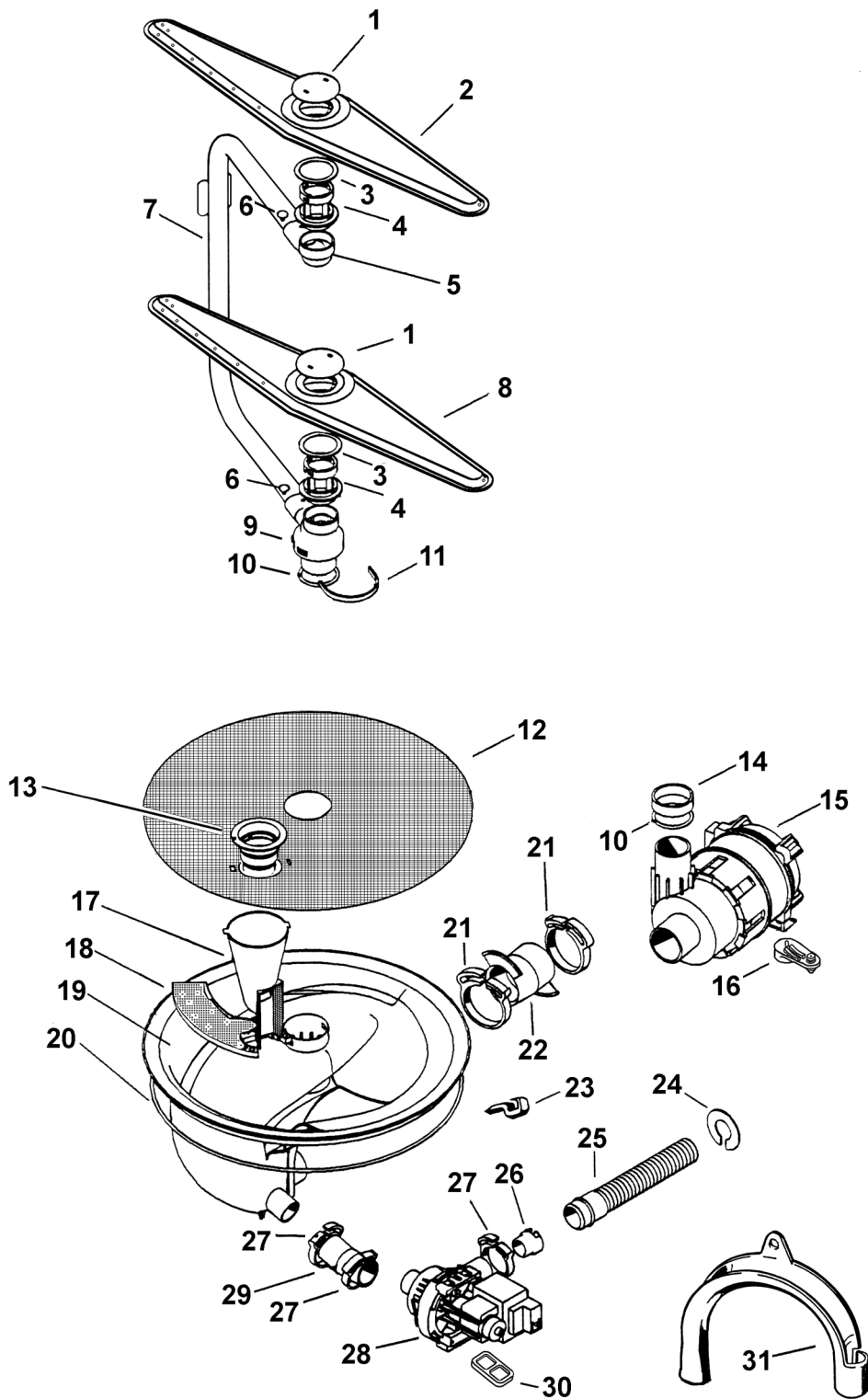
BASE AND COMPONENTS



BASE AND COMPONENTS

REF	PART	DESCRIPTION	MODEL
1	521100	GAUZE FILL VENT	
2	521616	FILL VENT WELDED ASSY	
3	473677	CLAMP HOSE HERBIE TYPE F	
4	521107	HOSE FILL LONG 3887	
5	521033	SEAL FILL VENT	
6	521032	CAP FILL VENT	
7	* 422680	HOSE INLET LONG (2M)	
	521348	HOSE INLET ASSY WIRSBO HOT	
	521349	HOSE INLET ASSY WIRSBO COLD	
8	400704A	SEAL CONNECTOR PKT 2	
9	521545	VALVE INLET 5L ELTEK 100500.13	
10	521532	CHASSIS BASE	
11	556036	SCREW ST 8X10MM TAB MTS PH NP	
12	521536	FOOT HOUSING	
13	521537	FOOT	
14	521692	RFI FILTER 918	918TD
15	556037#	SCREW ST 8X5/8 TAB PAN PH HS NIPL	
16	525941	SWITCH FLOOD UL REC US	
	521539	<i>SWITCH FLOOD FLOAT</i>	
17	521374	THERMOSTAT O/HEAT 85C AUTO RST	
18	521371	CAPACITOR	
19	473608	FLEX ASSY MAINS 10A 3886/7	
NI	* 422753	FILTER INLET	

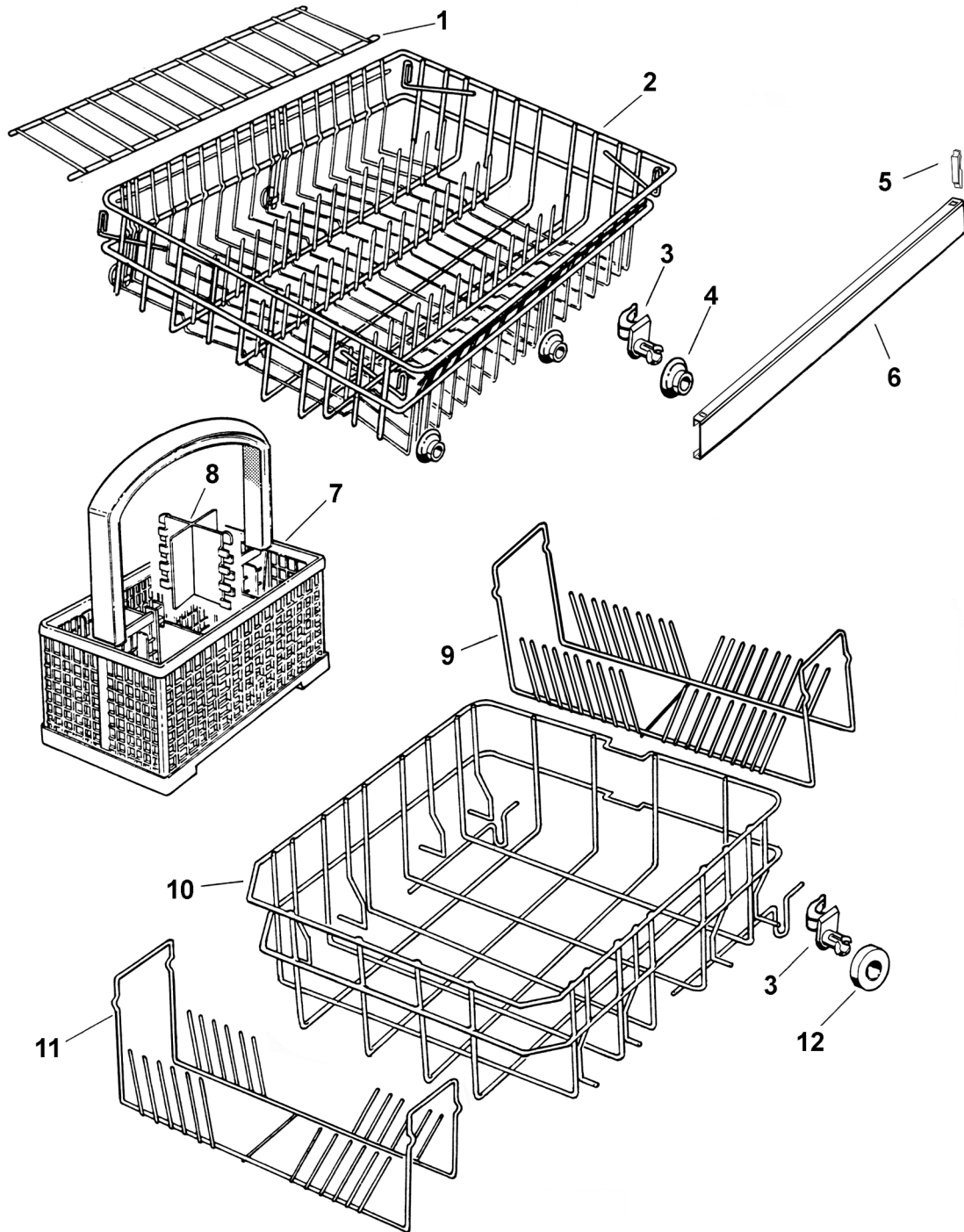
SUMP AND PUMPS



SUMP AND PUMPS

REF	PART	DESCRIPTION	MODEL
1	521055	RETAINER SPRAY ARM	
2	521068	TOP SPRAY ARM ASSY	
3	521360	WASHER SPRAY ARM BEARING	
4	521035	BEARING SPRAY ARM	
5	521516	TOP TRANSITION	
6	521015	PIN LOCKING	
7	521603	PLUMBING W/ASSY (PURCHASED)	
8	521067	BOTTOM SPRAY ARM ASSY	
9	521515	FLOW DIVIDER	
10	521071	O RING WASH PUMP/FLOW DIVIDER	
11	521036	CLIP FLOW DIVIDER	
12	521014	PLATE FILTER 3887	
13	521185	STRAINER GREY	
14	521723	SPACER WASH PUMP OUTLET SHORT	
15	521506	PUMP WASH HANNING CP 35-110	
16	* 521695	MOUNT WASH PUMP RUBBER	
17	521056	FUNNEL FILTER	
18	521509	LABYRINTH PLATE	
19	521617	SUMP MOULDING 918	
20	473816	O RING SUMP	
21	473641	CLAMP HOSE HERBIE TYPE S	
22	* 521610	HOSE WASH PUMP INLET	
23	388898	WEDGE SUMP	
24	473347	COLLAR DRAIN HOSE	
25	473345	HOSE DRAIN	
	521287	HOSE DRAIN LONG (SPARES ONLY)	
26	521084	VALVE NON RETURN ASSY	
27	473678	CLAMP HOSE HERBIE TYPE M	
28	521505	PUMP DRAIN HANNING DPS25-019	
29	521508	HOSE DRAIN PUMP OUTLET	
30	521543	MOUNT DRAIN PUMP RUBBER	
31	473352	SUPPORT DRAIN HOSE	

BASKETS



BASKETS

REF	PART	DESCRIPTION	MODEL
1	521176	RACK GLASS RETAINING GREY	
2	521175	BASKET ASSY TOP CROCK 3887 GY	
3	521337	AXLE STUB GREY	
4	521191	ROLLER BASKET GREY	
5	521332	CAP RAIL TOP BASKET GREY	
6	521373	RAIL TOP BASKET	
7	521172	CUTLERY BASKET ASSY 3887 GREY	
8	521171	DIVIDER CUTLERY BASKET GREY	
9	521179	BASKET INSERT ASSY BACK GREY	
10	521177	BASKET ASSY LOWER 3887 GREY	
11	521178	BASKET INSERT ASSY FRONT GREY	
12	521181	ROLLER LOWER BASKET 3887 GREY	

NOTES

DOOR PANELS AND CONTROLS

Technical Bulletins

521269 DW55

CABINET

Technical Bulletins

521724 DW80

BASE AND COMPONENTS

Notes

7 422680 hose and 422753 filter ONLY used on Product 87480
990 422680 hose and 422753 filter ONLY used on Product 87480

SUMP AND PUMPS

Technical Bulletins

16 DW78
521610 DW79

Free Manuals Download Website

<http://myh66.com>

<http://usermanuals.us>

<http://www.somanuals.com>

<http://www.4manuals.cc>

<http://www.manual-lib.com>

<http://www.404manual.com>

<http://www.luxmanual.com>

<http://aubethermostatmanual.com>

Golf course search by state

<http://golfingnear.com>

Email search by domain

<http://emailbydomain.com>

Auto manuals search

<http://auto.somanuals.com>

TV manuals search

<http://tv.somanuals.com>