

Installation instructions

DishDrawer®

DD24DT models

Fisher & Paykel
innovative living

US CA

Important!

SAVE THESE INSTRUCTIONS

The models shown in this document may not be available in all markets and are subject to change at any time. For current details about model and specification availability in your country, please go to our website www.fisherpaykel.com or contact your local Fisher & Paykel dealer.

① SAFETY AND WARNINGS

⚠ WARNING!

Electrical hazard

Before installing the DishDrawer®, remove the house fuse or open the circuit breaker.

If permanently connecting the DishDrawer®, be sure the power is isolated and the DishDrawer® unplugged.

GROUNDING INSTRUCTIONS

This appliance must be grounded. In the event of a malfunction or breakdown, grounding will reduce the risk of electric shock by providing a path of least resistance for electric current. This appliance is equipped with a cord having an equipment-grounding conductor and a grounding plug. The plug must be plugged into an appropriate outlet that is installed and grounded in accordance with all local codes and ordinances. **WARNING** - Improper connection of the equipment-grounding conductor can result in a risk of electric shock. Check with a qualified electrician or service representative if you are in doubt as to whether the appliance is properly grounded.

If the DishDrawer is installed as a permanently connected appliance: **GROUNDING INSTRUCTIONS** - This appliance must be connected to a grounded metal, permanent wiring system, or an equipment-grounding conductor must be run with the circuit conductors and connected to the equipment-grounding terminal or lead on the appliance.

Do not modify the power supply plug provided with the appliance - if it will not fit the outlet, have a proper outlet installed by a qualified electrician. Do not use an extension cord, adapter plug or multiple outlet box.

Failure to follow this advice may result in electrical shock or death.



⚠ WARNING!

Cut hazard

Take care - panel edges are sharp.

Failure to use caution could result in injury or cuts.

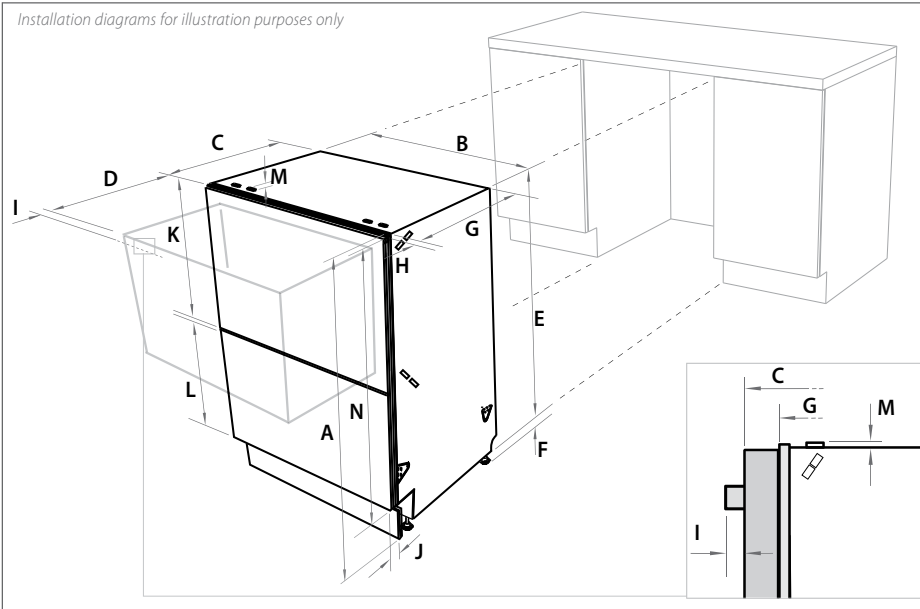


Important safety instructions!

- Installation of this DishDrawer® requires basic mechanical and electrical skills.
- Be sure to leave these Instructions with the Customer.
- Installation must comply with your local building and electricity regulations.
- At the completion of the DishDrawer® installation, the Installer must perform Final Check List.
- Remove all packaging materials supplied with the DishDrawer®.
- This DishDrawer® is manufactured for indoor use only.
- Ensure all water connections are turned OFF. It is the responsibility of the plumber and electrician to ensure that each installation complies with all Codes and Regulations.
- The DishDrawer® MUST be installed to allow for future removal from the enclosure if service is required.
- The switched power outlet must be outside the DishDrawer® cavity so that it is accessible after installation.
- Care should be taken when the appliance is installed or removed to reduce the likelihood of damage to the power supply cord.
- If the DishDrawer® is to be relocated from one installation to another it must be kept upright to avoid damage from water spillage.
- Make sure only new hoses are used for connection (supplied with DishDrawer®). Old hoses should not be reused.
- Failure to install the DishDrawer® correctly could invalidate any warranty or liability claims.
- If the product is installed in a motor vehicle, boat or similar mobile facility, you must bring the vehicle, boat or mobile facility containing the product to the service shop at your expense or pay the service technician's travel to the location of the product.

② PRODUCT DIMENSIONS

Installation diagrams for illustration purposes only



Product dimensions (inches (mm))

	Prefinished LCD DD24DT	Prefinished Flat door DD24DT	Integrated DD24DT
A overall height* of product	34 - 36 3/8" (863.5 - 923.5)	34 - 36 3/8" (863.5 - 923.5)	34 - 36 3/8" (863.5 - 923.5)
B overall width of product	23 5/16" (599)	23 5/16" (599)	23 5/16" (599)
C overall depth of product (excl. curvature/handle)	22 7/16" (570)	22 7/16" (570)	22 7/16" (570)
D depth of drawer (open) (excl. curvature/handle)	21 3/16" (538)	21 3/16" (538)	21 3/16" (538)
E height* of chassis	33 9/16" (853)	33 9/16" (853)	33 9/16" (853)
F height range of levelling feet	2 3/8" (60)	2 3/8" (60)	2 3/8" (60)
G depth of chassis (incl. trimseal)	21 3/4" (552)	21 3/4" (552)	21 3/4" (552)
H depth of drawer front panel (excl. curvature/handle)	1 1/16" (18)	1 1/16" (18)	1 1/16" (18)
I depth of curvature or handle	7/16" (11)	1 5/8" (41)	n/a
J depth of toe kick	2 - 4 5/16" (50 - 110)	2 - 4 5/16" (50 - 110)	2 5/8" - 5" (67 - 127)**
K height of upper drawer front	17 1/4" (438)	17 3/8" (442)	17 3/8" (442) min
L height of lower drawer front	12 5/16" (312)	12 5/16" (312)	12 5/16" (312) min
M height of installation bracket slots (on top of chassis)	1/16" (2)	1/16" (2)	1/16" (2)
N height of drawer fronts	29 9/16" (751)	30 1/16" (764)	30" (762) min

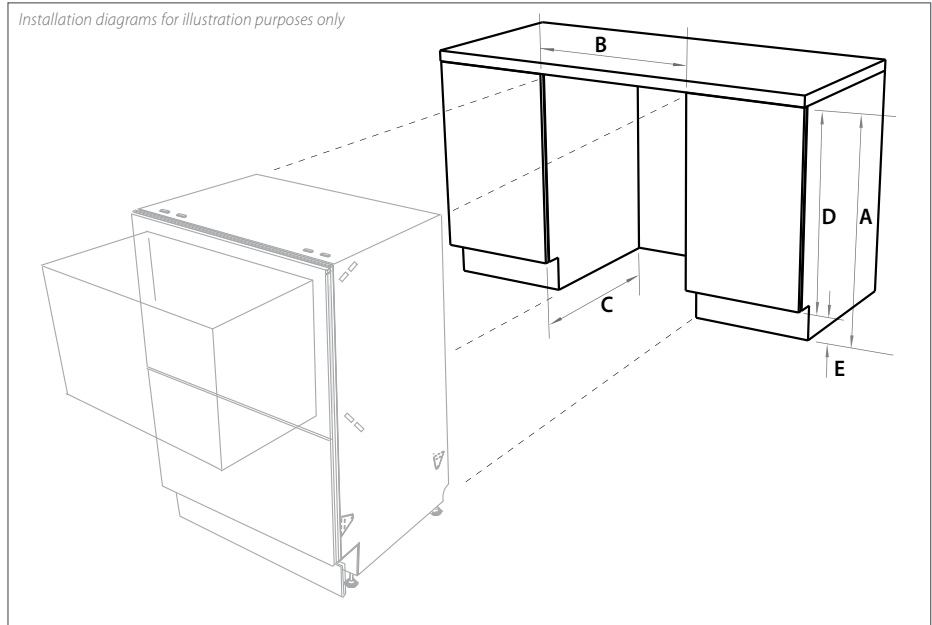
* Chassis heights include bracket slots

** less the Toe Kick Panel thickness (Minimum Panel thickness using the supplied screws is 3/8" (9 mm)).

Note: for Prefinished Flat door models, height from top of handle to top of drawer - 2 1/2" (64 mm).

③ CABINERY DIMENSIONS

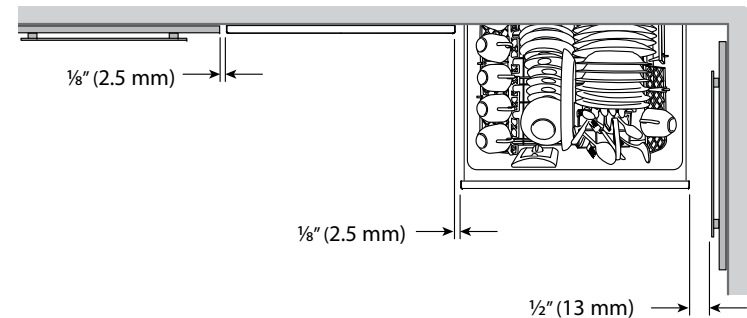
Installation diagrams for illustration purposes only




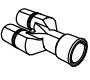



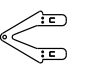


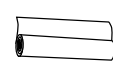

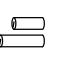
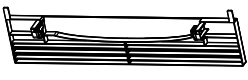
Cabinetry dimensions (inches (mm))

	Prefinished LCD DD24DT	Prefinished Flat door DD24DT	Integrated DD24DT
A inside height of cavity	34 - 36 1/2" (864 - 926.5)	34 - 36 1/2" (864 - 926.5)	34 - 36 1/2" (864 - 926.5)
B inside width of cavity	23 5/8" (600)	23 5/8" (600)	23 5/8" (600)
C inside depth of cavity (inside)	22 7/8" (580)	22 7/8" (580)	22 7/8" (580)
D height of adjacent cabinetry	30" (762)	30" (762)	min. 30" (762)
E height of toe kick space	3 15/16" - 6 5/16" (100-160)	3 15/16" - 6 5/16" (100-160)	3 15/16" - 6 5/16" (100-160)

Minimum clearances (inches (mm))



4 PARTS SUPPLIED

											
Drain hose support (1)	Drain hose joiner (1)	Wire clip (2)	Clamp (1)	Side mounting bracket kit (A and B) (2) OPTIONAL	Top mounting brackets (2)	Phillips 16 mm screws (9)	Washer (1)	Moisture protection tape (1) (to prevent moisture damage)	Edge protector (1) (if services hole partition is metal)	Hexagonal socket (2) (long & short)	Prefinished toe kick (1) white or black

If the Drain hose(s) supplied are not long enough to reach your services, you **must** use a Drain Hose Extension Kit P/N 525798 which will extend the drain hose(s) by 11' 10" (3.6 m). The kit is available from the nearest Fisher & Paykel Authorized Service Agent, or Toll free 1.888.936.7872 or www.fisherpaykel.com.

5 CAVITY PREPARATION

Important!

Be sure the edges of the services hole are smooth or covered. If the services hole is through a metal partition the hole must be protected with the Edge protector supplied to prevent damage to the power cord or hoses.

- ◆ These marks indicate mounting bracket screw locations
- * Preferred position. If adequate clearance, services hole can be higher to clear toe kick space. If hole is higher, ensure drain hose(s) are routed straight into the waste connection.

Water Connection

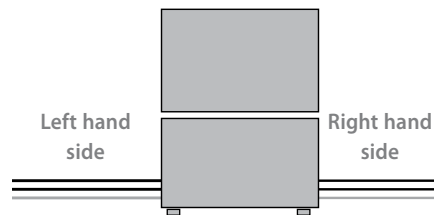
Recommended **HOT** (Maximum 140°F/60°C).
Supplied hose to suit 3/8" (9 mm) male compression fitting.

Water Pressure

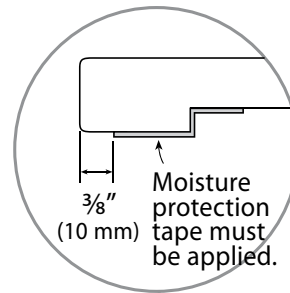
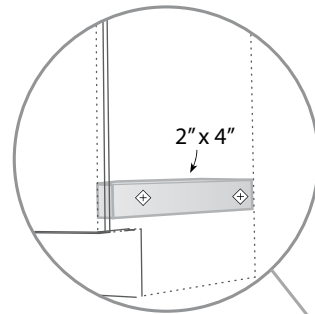
	Max	Min
Water softener models	1 MPa (145 psi)	0.1 MPa (14.5 psi)
Other models	1 MPa (145 psi)	0.03 MPa (4.3 psi)

- Drains will need to be separated to satisfy kosher requirements. We suggest you confirm acceptability with your local rabbi in respect to kosher installations.

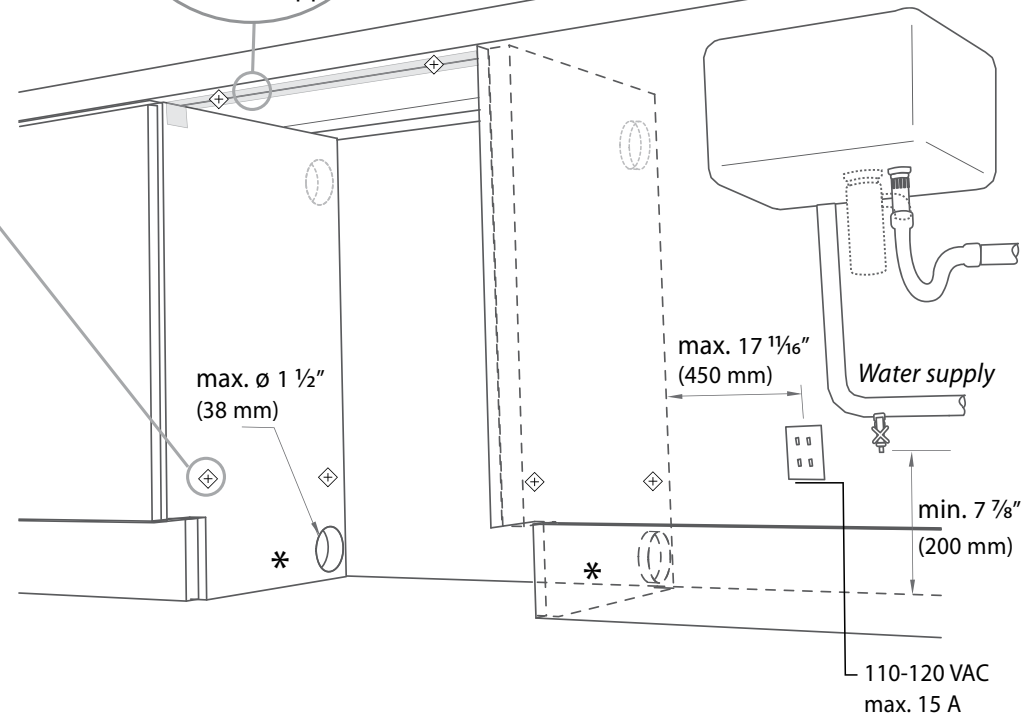
Max. distance of hoses and cord from chassis edge	Left hand side	Right hand side
Drain hose	78 1/2" (2000 mm)	70 1/2" (1800 mm)
Inlet hose	64 3/4" (1650 mm)	49" (1250 mm)
Power cord (excl. plug)	29 1/2" (750 mm)	27 1/2" (700 mm)



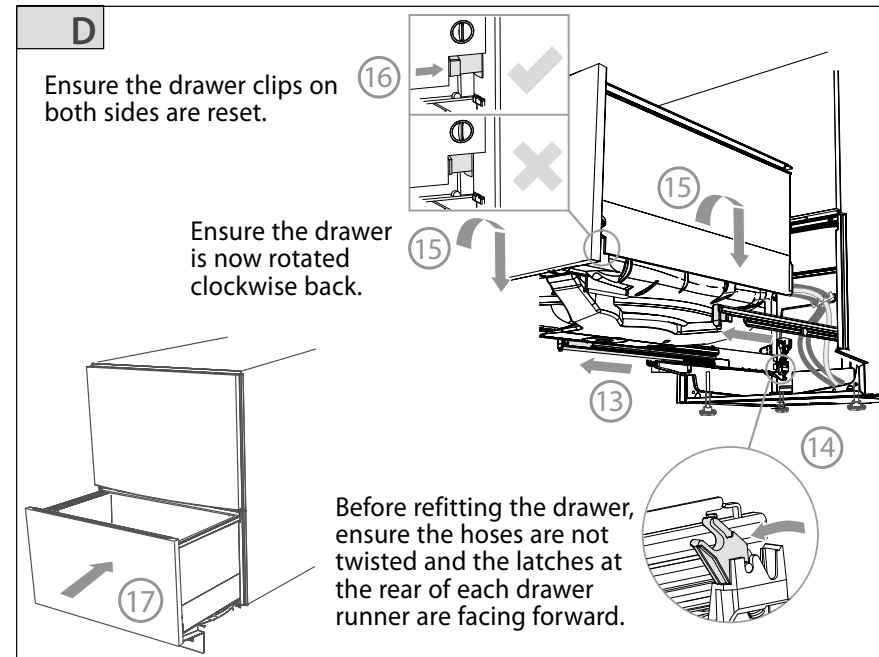
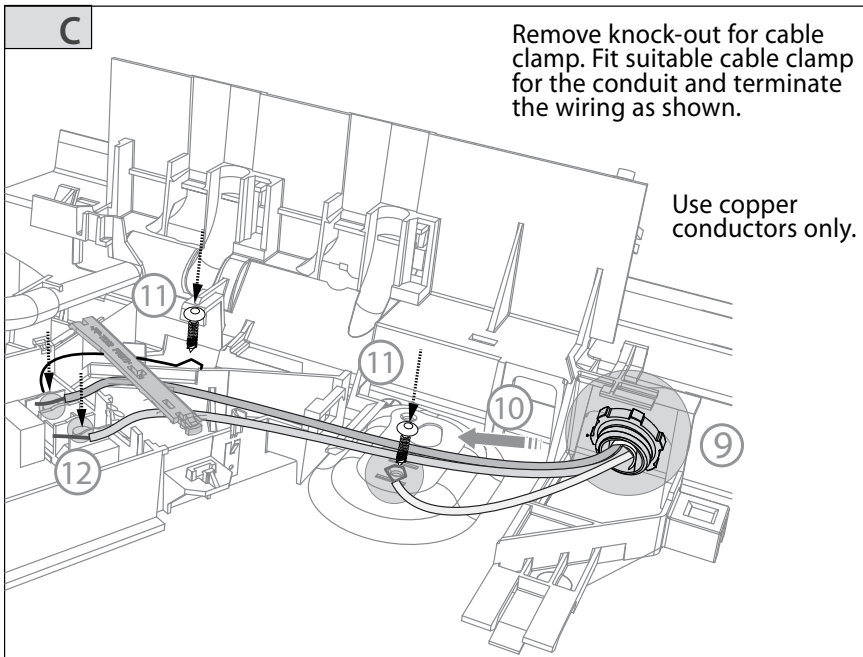
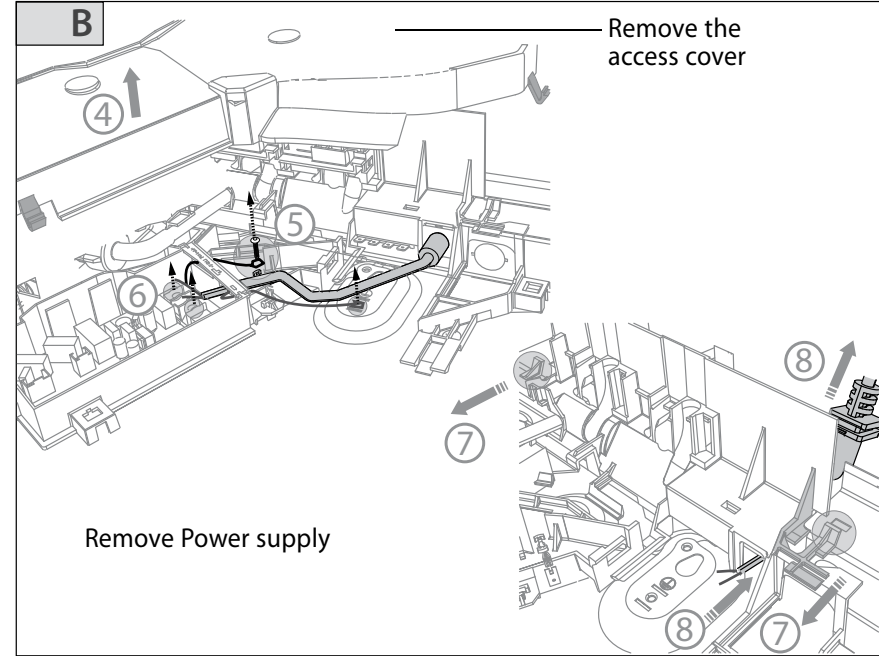
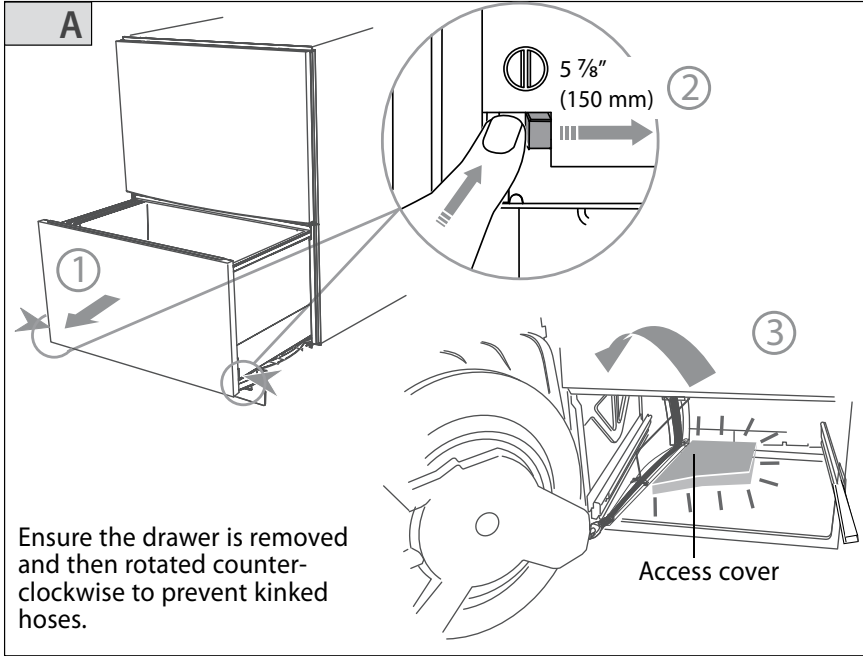
If no side partition, use a brace for securing.



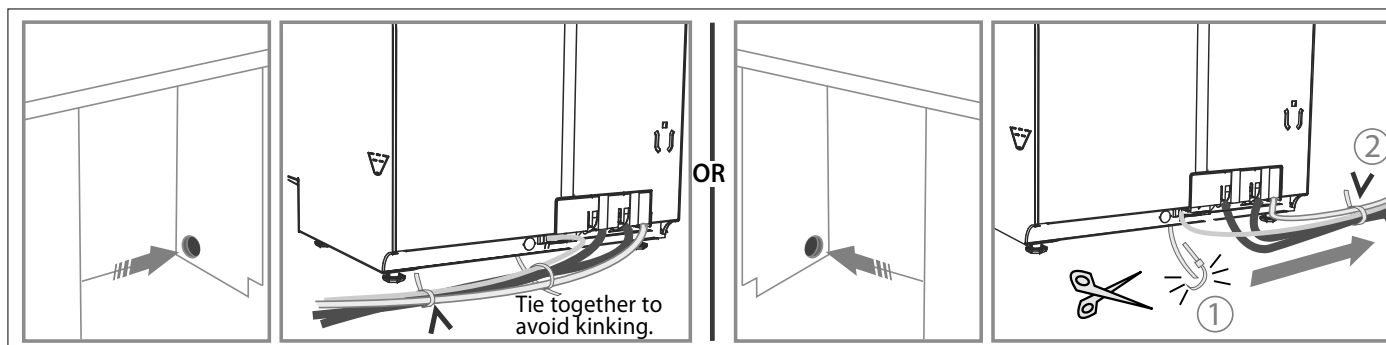
Note: Services can be located either side of DishDrawer®.



6 OPTIONALLY HARD WIRING THE PRODUCT

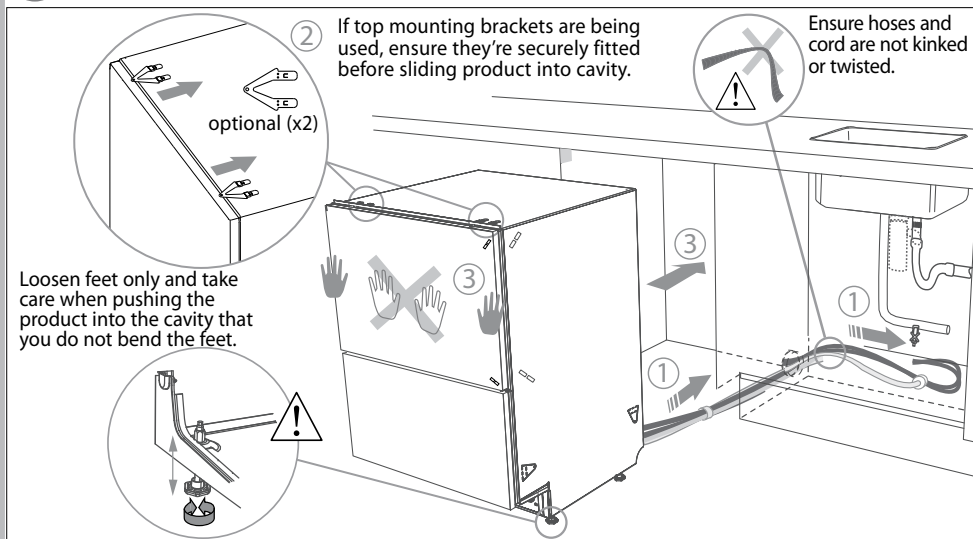


⑦ ROUTE THE HOSES

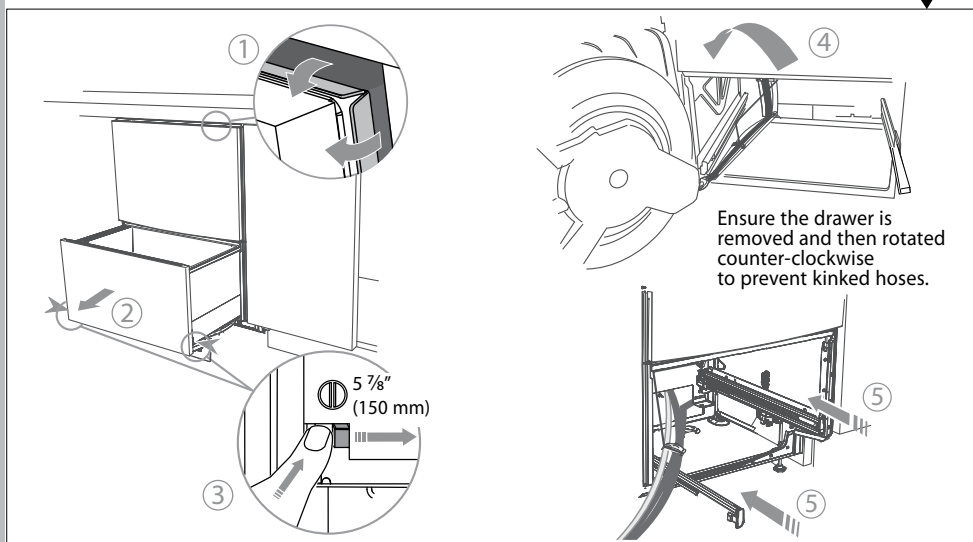


SECURE BY DRAWER REMOVAL

8 MOVE INTO THE CAVITY

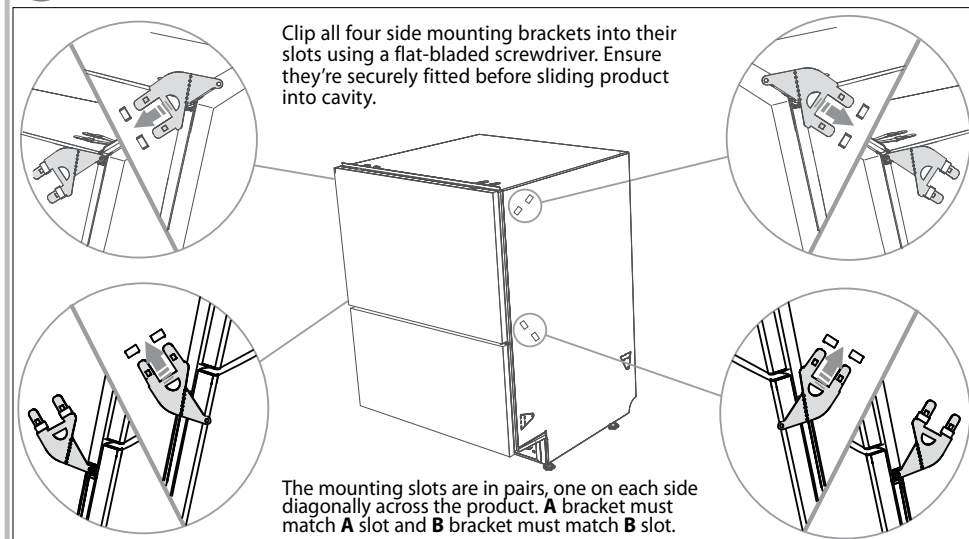


9 REMOVE THE DRAWER

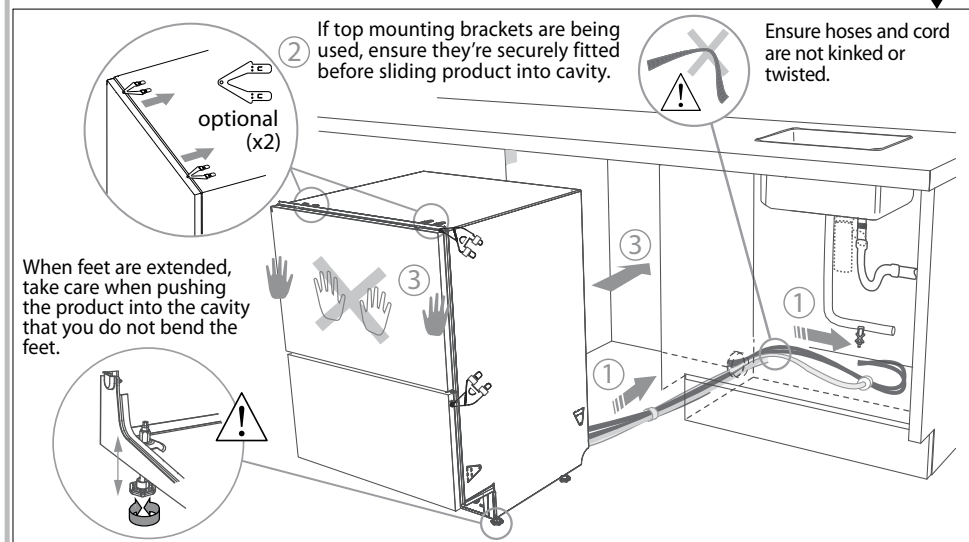


SECURE WITHOUT DRAWER REMOVAL (FRAMELESS CABINETRY ONLY)

8 ATTACH SIDE MOUNTING BRACKETS



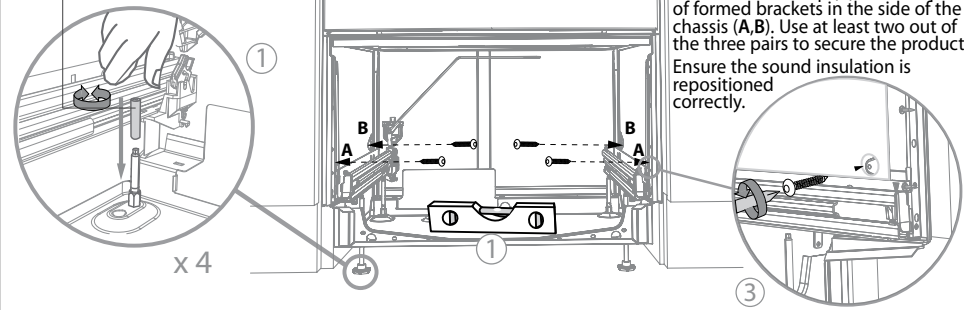
9 MOVE INTO THE CAVITY



10 LEVEL AND SECURE THE PRODUCT

Ensure product is level and aligning with cabinetry. Using the most appropriate length Hexagonal socket supplied, fully extend levelling feet up to required distance by hand.

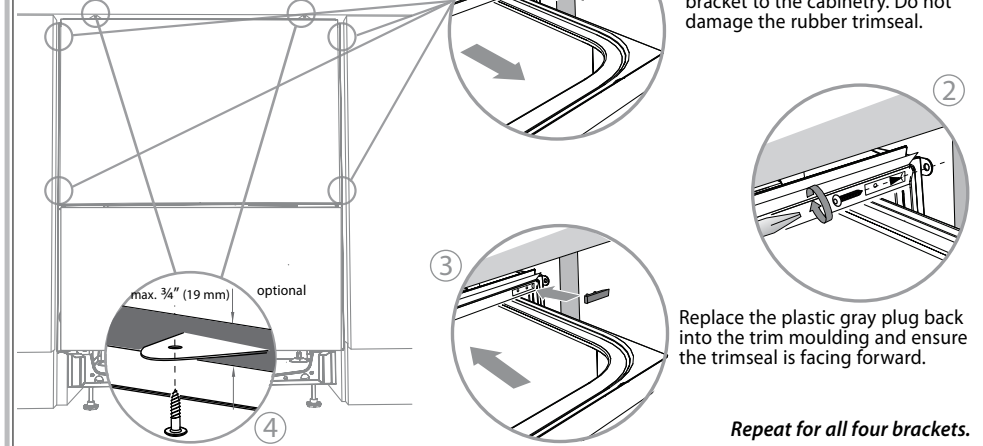
Hexagonal socket



The product has three pairs of mounting brackets: a pair of optional brackets on the top (C) and two pairs of formed brackets in the side of the chassis (A,B). Use at least two out of the three pairs to secure the product. Ensure the sound insulation is repositioned correctly.

10 SECURE THE PRODUCT

Open the upper drawer halfway. Using a flat-bladed screwdriver, prize the plastic gray plug out of the trim moulding.



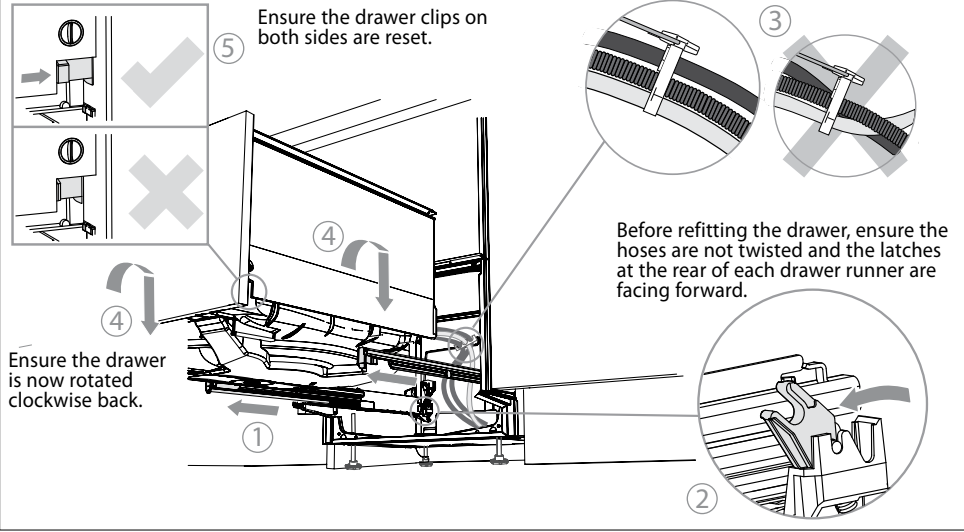
Using a small Philips screwdriver, screw through the trim moulding, securing the side mounting bracket to the cabinetry. Do not damage the rubber trimseal.

Replace the plastic gray plug back into the trim moulding and ensure the trimseal is facing forward.

Repeat for all four brackets.

11 REFIT THE DRAWER

Ensure the drawer clips on both sides are reset.

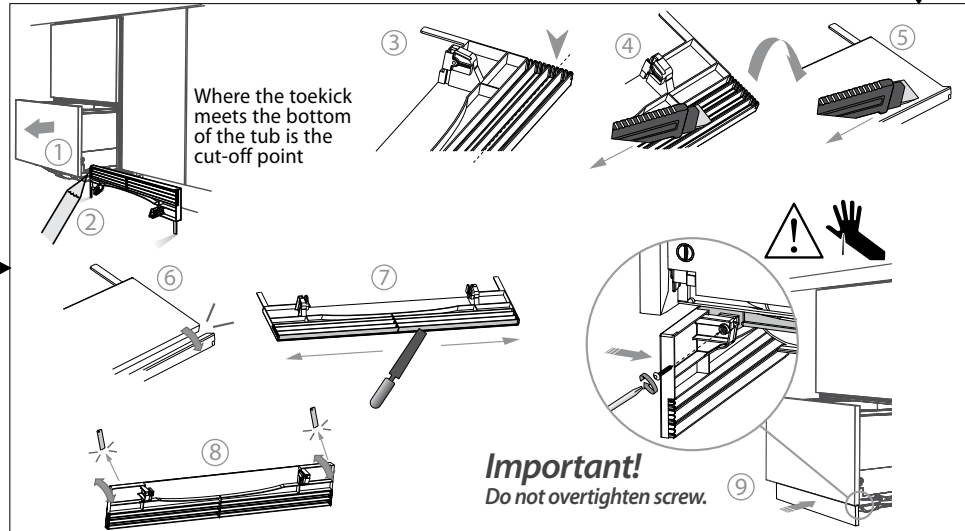


Ensure the drawer is now rotated clockwise back.

Before refitting the drawer, ensure the hoses are not twisted and the latches at the rear of each drawer runner are facing forward.

FINALLY, FOR BOTH METHODS, FIT THE TOEKICK

Where the toekick meets the bottom of the tub is the cut-off point



Important!
Do not overtighten screw.

12 PLUMBING AND DRAINAGE OPTIONS

A DishDrawer® with Waste Disposal ②

If space is limited for fixing, push hose through drain hose support to required height

29 1/2" - 34 3/4" (750 - 882.5 mm)

HIGHLOOP min. 6" (150 mm)

min. R 8" (200 mm)

Supplied drain hose joiner (Ø 3/4" (19 mm)) waste tee

③

B DishDrawer® using Air Break with Drain Hose Joiner ①

Supplied drain hose joiner (Ø 3/4" (19 mm)) waste tee

Air Break

37 3/8" (950 mm) Max. height to top of Air Break (countertop or wall mounted)

C DishDrawer® and Standpipe ②

Ø 1 1/2" (38 mm)

If space is limited for fixing, push hose through drain hose support to required height

29 1/2" - 34 3/4" (750 - 882.5 mm)

max. 4 3/4" (120 mm)

Ø 1 1/2" (38 mm)

Waste Disposal (optional)

min. R 8" (200 mm)

Fit supplied washer

Ensure hoses are routed straight to joiner. Remove excess hose material if necessary.

④

⑤

⑥

⑦

Fit supplied washer

Ensure hoses are routed straight to joiner. Remove excess hose material if necessary.

④

⑤

⑥

⑦

Fit supplied washer

④

⑤

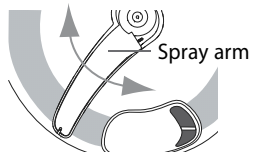
⑥

⑦

13 FINAL CHECKLIST



- Check all parts are installed.
- Ensure product is level, securely fastened to the cabinetry and opens and closes freely. The DishDrawer® must be free to fully close with no resistance from the cabinetry.
- Ensure inlet hose to water supply has rubber washer fitted and is tightened a further half turn after seal contact.
- Ensure any knockouts or plugs in drain connection have been drilled out and drain connection has been made.
- The drain hose joiner must not support the weight of excess hoses. Keep hoses as fully extended as possible to prevent sagging. Any excess length of hose should be kept on the dishwasher side of the high loop.
- If using Plumbing and Drainage OPTION A, ensure the Highloop is a minimum 6" (150 mm) higher than the drain hose joiner.
- Turn on the power and water supply. Then press the Power (⏻) button to turn the DishDrawer® on. The DishDrawer® should beep and Wash Programme lights light up.
- Check the spray arm is in place and free to rotate.



- Add three cups of water into the DishDrawer®. On the Wash Programme Selector Panel press Rinse and close the drawer(s). Start the programme by pressing the Start/Pause (▶||) button.
- After the Rinse programme has finished, ensure machine has run and drained correctly.
- Check water supply and drainage connection for leakage.

Repeat for each drawer.

14 TROUBLESHOOTING

- **Excessive water remaining above the filter plate, after the rinse cycle**
Check for kinked drain hoses or blocked waste connection, high loop not properly installed or drain hoses not routed correctly.
- **No water supply (⊗ shows on display-models with LCD only)**
Check water is connected, turned on and the spray arm(s) are correctly fitted and free to rotate.
- **No lights come on when the drawer is opened**
Ensure power is connected and is switched on. Check if Auto Power option is on.
- **Water around water supply and drainage connections**
Check connections, existing plumbing and hoses for leaks. Check washer and hose clamps are correctly fitted.
- **If product is tipping**
Ensure the product is secured to the cabinetry.
- **If front panels are misaligned**
Check and relevel product. Check the cabinetry is square.
- **Drawer(s) don't close properly**
Ensure nothing is obstructing the drawer(s) from closing properly eg sound insulation, hoses or drawer latches.
- If a problem occurs, consult the Troubleshooting section of the User Guide.
- If after checking these points you still need assistance, please refer to the Service & Warranty book for warranty details and your nearest Authorized Service Centre, or contact us through our website, www.fisherpaykel.com.

Free Manuals Download Website

<http://myh66.com>

<http://usermanuals.us>

<http://www.somanuals.com>

<http://www.4manuals.cc>

<http://www.manual-lib.com>

<http://www.404manual.com>

<http://www.luxmanual.com>

<http://aubethermostatmanual.com>

Golf course search by state

<http://golfingnear.com>

Email search by domain

<http://emailbydomain.com>

Auto manuals search

<http://auto.somanuals.com>

TV manuals search

<http://tv.somanuals.com>