

Important!

SAVE THESE INSTRUCTIONS

The models shown in this document may not be available in all markets and are subject to change at any time. For current details about model and specification availability in your country, please visit our local website listed at the end of this document or contact your local Fisher & Paykel dealer.

1 SAFETY AND WARNINGS

⚠ WARNING!

Electrical hazard

Before installing the DishDrawer®, remove the house fuse or open the circuit breaker.

If permanently connecting the DishDrawer®, be sure the power is isolated and the DishDrawer® unplugged.

GROUNDING INSTRUCTIONS

This appliance must be grounded. In the event of a malfunction or breakdown, grounding will reduce the risk of electric shock by providing a path of least resistance for electric current. This appliance is equipped with a cord having an equipment-grounding conductor and a grounding plug. The plug must be plugged into an appropriate outlet that is installed and grounded in accordance with all local codes and ordinances. **WARNING** - Improper connection of the equipment-grounding conductor can result in a risk of electric shock. Check with a qualified electrician or service representative if you are in doubt as to whether the appliance is properly grounded.

If the DishDrawer is installed as a permanently connected appliance: **GROUNDING INSTRUCTIONS** - This appliance must be connected to a grounded metal, permanent wiring system, or an equipment-grounding conductor must be run with the circuit conductors and connected to the equipment-grounding terminal or lead on the appliance.

Do not modify the power supply plug provided with the appliance - if it will not fit the outlet, have a proper outlet installed by a qualified electrician. Do not use an extension cord, adapter plug or multiple outlet box.

Failure to follow this advice may result in electrical shock or death.



Important safety instructions!

- Installation of this DishDrawer® requires basic mechanical and electrical skills.
- Be sure to leave these Instructions with the Customer.
- Installation must comply with your local building and electricity regulations.
- At the completion of the DishDrawer® installation, the Installer must perform the Final Checklist.
- Remove all packaging materials supplied with the DishDrawer®.
- This DishDrawer® is manufactured for indoor use only.
- Ensure all water connections are turned OFF. It is the responsibility of the plumber and electrician to ensure that each installation complies with all Codes and Regulations.
- The DishDrawer® MUST be installed to allow for future removal from the enclosure if service is required.
- The switched power outlet must be outside the DishDrawer® cavity, so that it is accessible after installation.
- Care should be taken when the appliance is installed or removed to reduce the likelihood of damage to the power supply cord.
- If the DishDrawer® is to be relocated from one installation to another it must be kept upright to avoid damage from water spillage.
- Make sure only new hoses are used for connection (supplied with DishDrawer®). Old hoses should not be reused.
- Failure to install the DishDrawer® correctly could invalidate any warranty or liability claims.
- If the product is installed in a motor vehicle, boat or similar mobile facility, you must bring the vehicle, boat or mobile facility containing the product to the service shop at your expense or pay the service technician's travel to the location of the product.

⚠ WARNING!

Cut hazard

Take care - panel edges are sharp.

Failure to use caution could result in injury or cuts.



⚠ WARNING!

Very Heavy

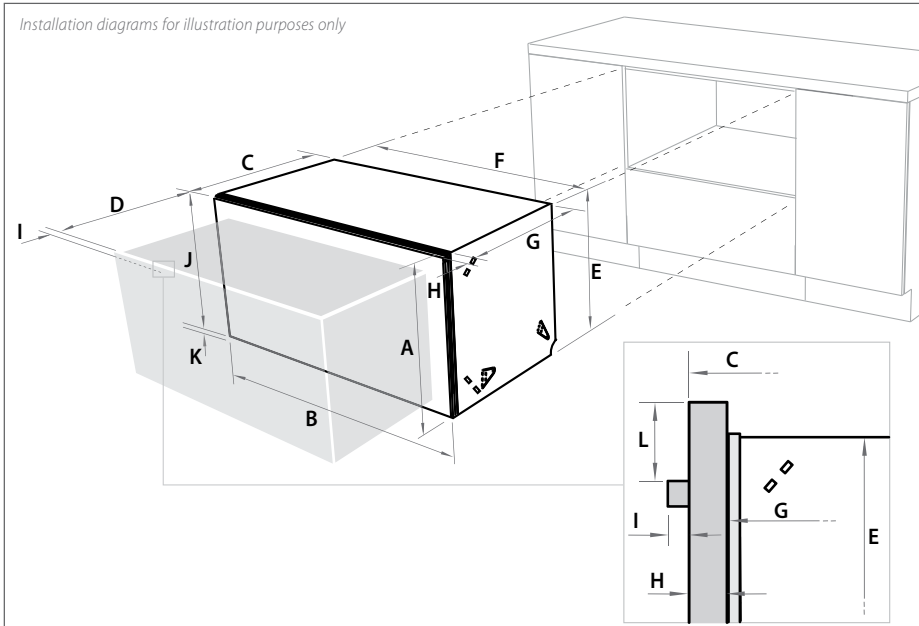
Do not attempt to lift this product unassisted.

Lifting unassisted may cause serious injury.



2) PRODUCT DIMENSIONS

Installation diagrams for illustration purposes only

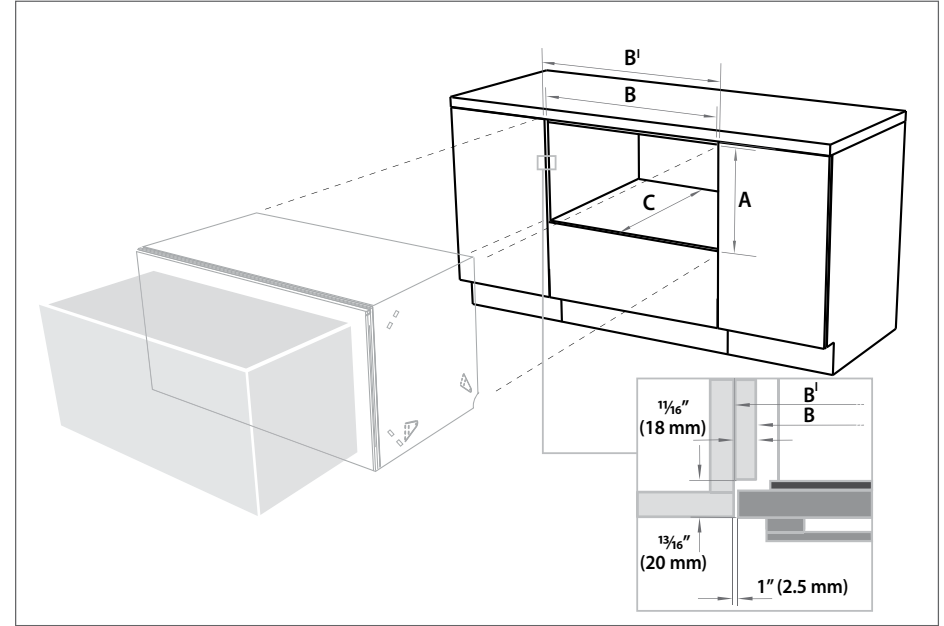


Product dimensions (inches (mm))

	Prefinished DD365DFTX	Integrated DD365TI	
A	overall height of product (incl. front panel height)	18 13/16" (478)	min. 18 1/16" (458)
B	overall width of product (incl. front panel)	35 1/4" (895)	min. 33 1/16" (855)
C	overall depth of product (excl. handle)	22 1/2" (571)	min. 22 1/2" (571) ¹
D	depth of drawer (open) (excl. handle)	21 3/16" (538)	min. 21 3/16" (538) ¹
E	height of chassis	18 1/16" (458)	18 1/16" (458)
F	width of chassis	33 1/16" (855)	33 1/16" (855)
G	depth of chassis (incl. trimseal)	21 15/16" (558)	21 15/16" (558)
H	depth of front panel (excl. handle)	1 1/16" (18)	min. 1 1/16" (18)
I	depth of handle	1 5/8" (41)	n/a
J	height of front panel	18 1/2" (470)	18 1/2" (470) ²
K	height of venting area at base of product	5/16" (8)	min. 5/16" (8)
L	height from top of handle to top of front panel	2 1/2" (64)	n/a

¹Includes minimum panel thickness (1/16" (18 mm)) ²Recommended

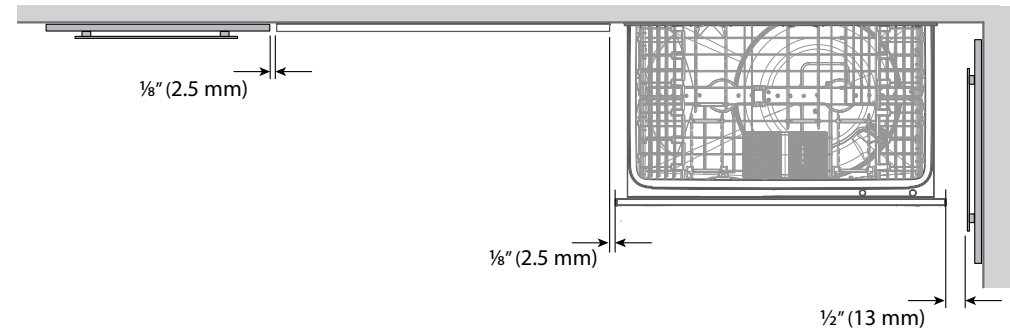
3) CABINETRY DIMENSIONS



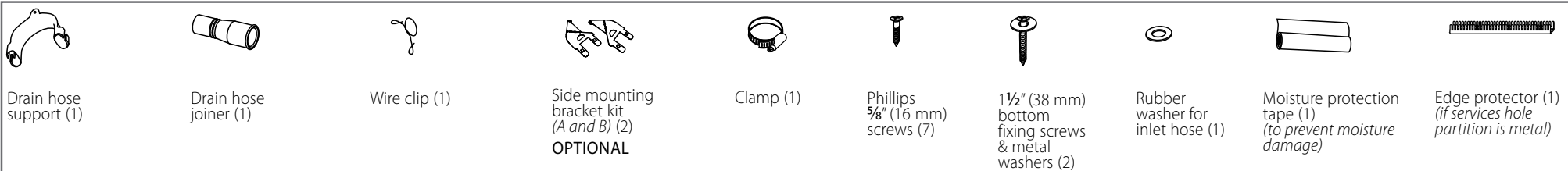
Cabinetry dimensions (inches (mm))

	Prefinished DD365DFTX	Integrated DD365TI	
A	inside height of cavity (from support surface to underside of countertop)	18 7/8" (480)	min. 18 1/8" (460)
B	inside width of cavity	34" (864)	34" (864)
B'	overall width of cabinetry	35 7/16" (900)	35 7/16" (900)
C	inside depth of cavity	22 13/16" (580)	22 13/16" (580)

Minimum clearances (inches (mm))



4 PARTS SUPPLIED



If the Drain hose supplied is not long enough to reach your services, you **must** use a Drain Hose Extension Kit P/N 525798 which will extend the drain hose by 11' 10" (3.6m). The kit is available from the nearest Fisher & Paykel Authorized Service Agent, or Toll free 1.888.936.7872 or www.fisherpaykel.com.

5 CAVITY PREPARATION

Important!

Be sure the edges of the services hole are smooth or covered. If the services hole is through a metal partition the hole must be protected with the Edge protector supplied to prevent damage to the power cord or hoses.

◆ These marks indicate formed bracket screw locations.

* Preferred position. If adequate clearance, services hole can be higher. If hole is higher, ensure drain hose(s) are routed straight into the waste connection.

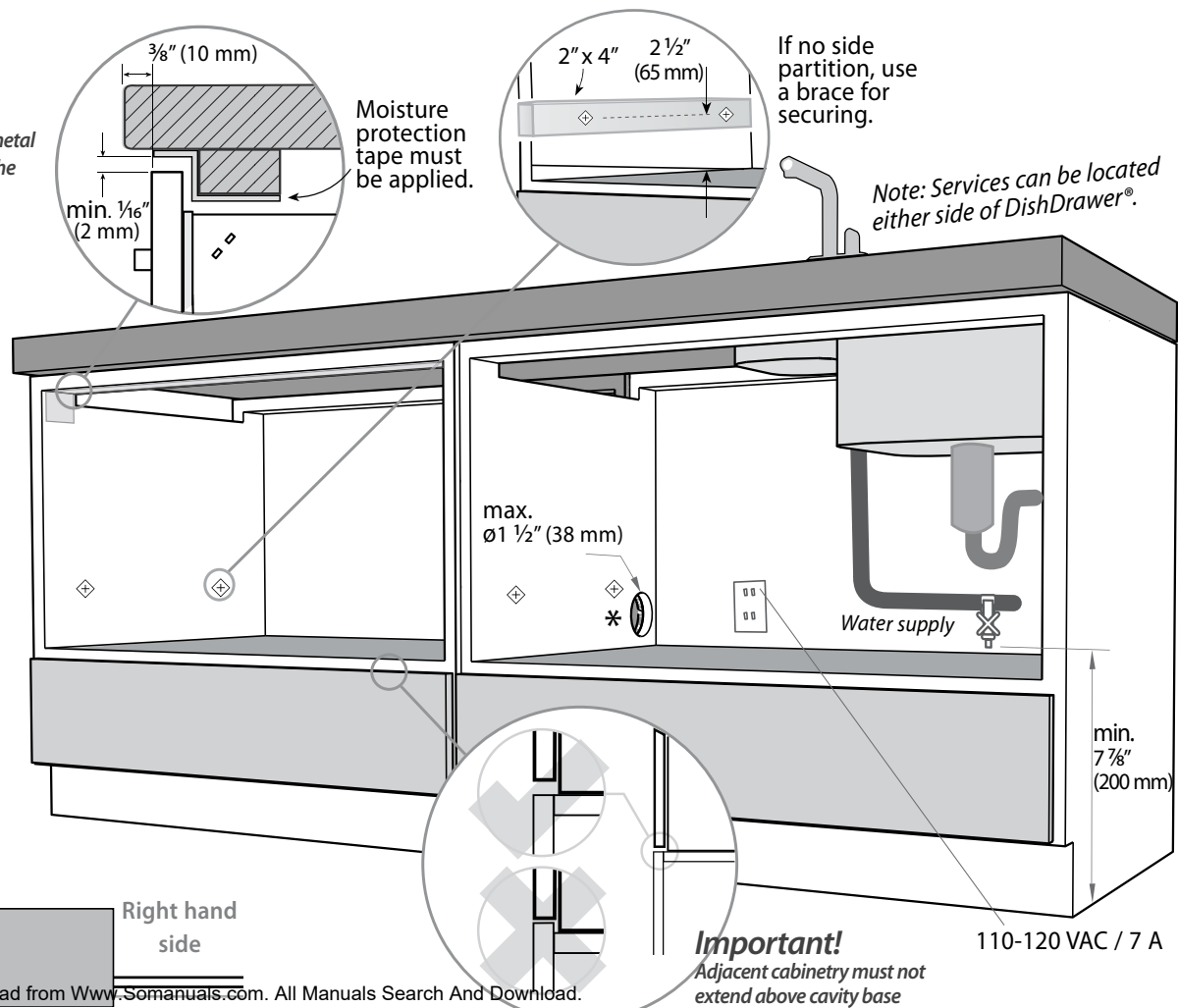
Water Connection

Recommended HOT (Maximum 140°F/60°C).
Supplied hose to suit 3/8" (9 mm) male compression fitting.

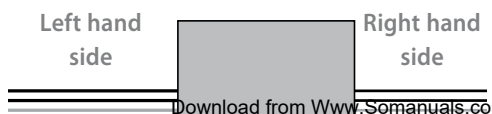
Water Pressure	Max	Min
Water softener models	1 MPa (145 psi)	0.1 MPa (14.5 psi)
Other models	1 MPa (145 psi)	0.03 MPa (4.3 psi)

Important!

The power outlet must be located in a cabinet adjacent to the DishDrawer cavity.



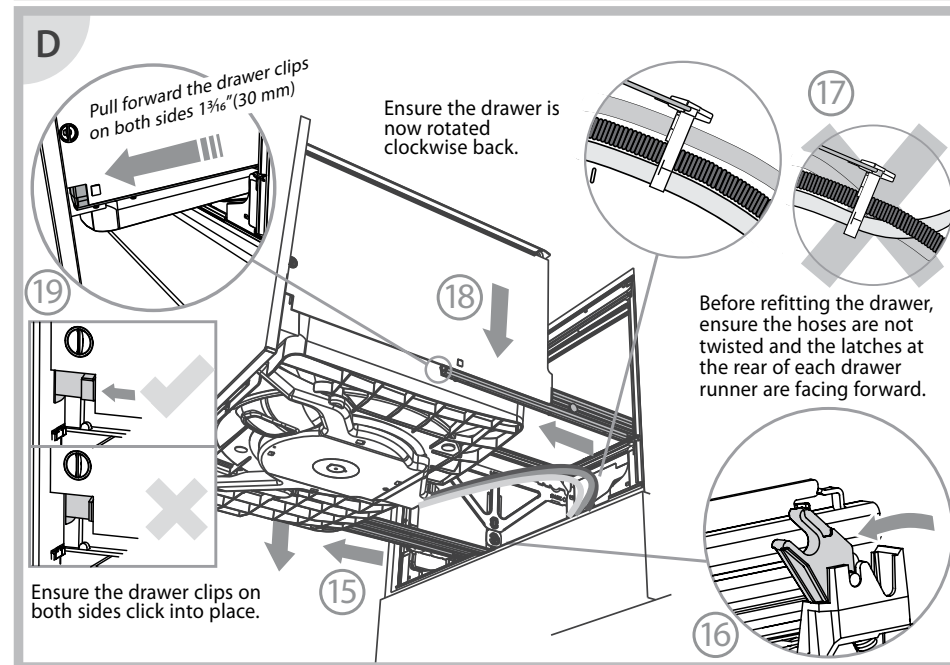
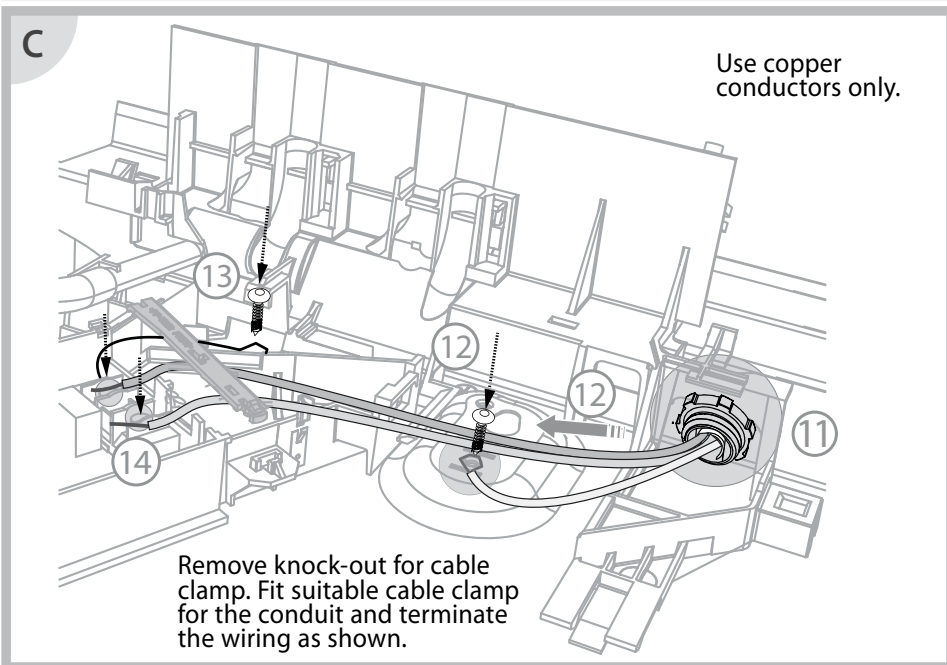
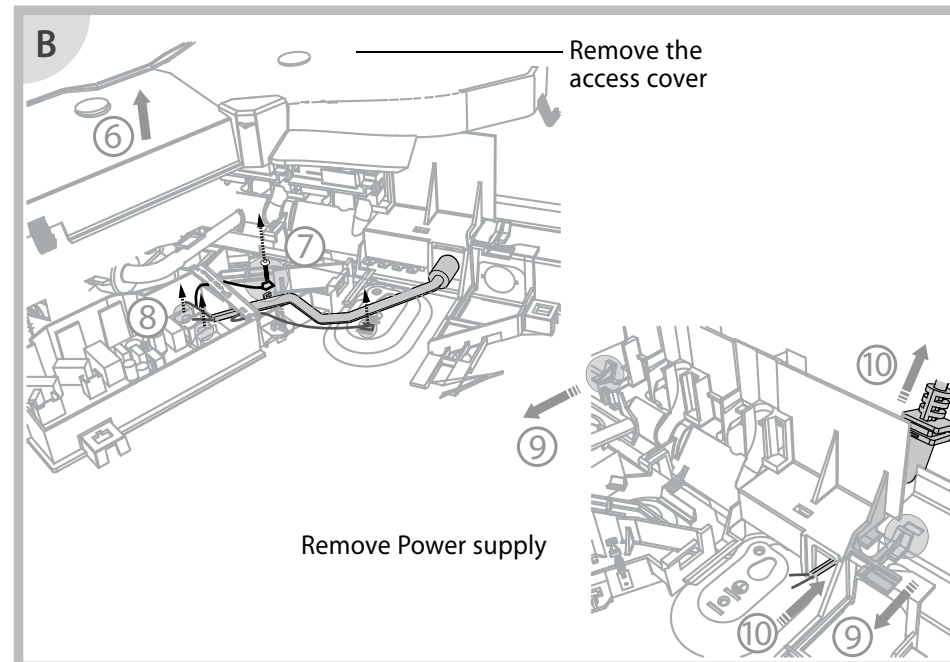
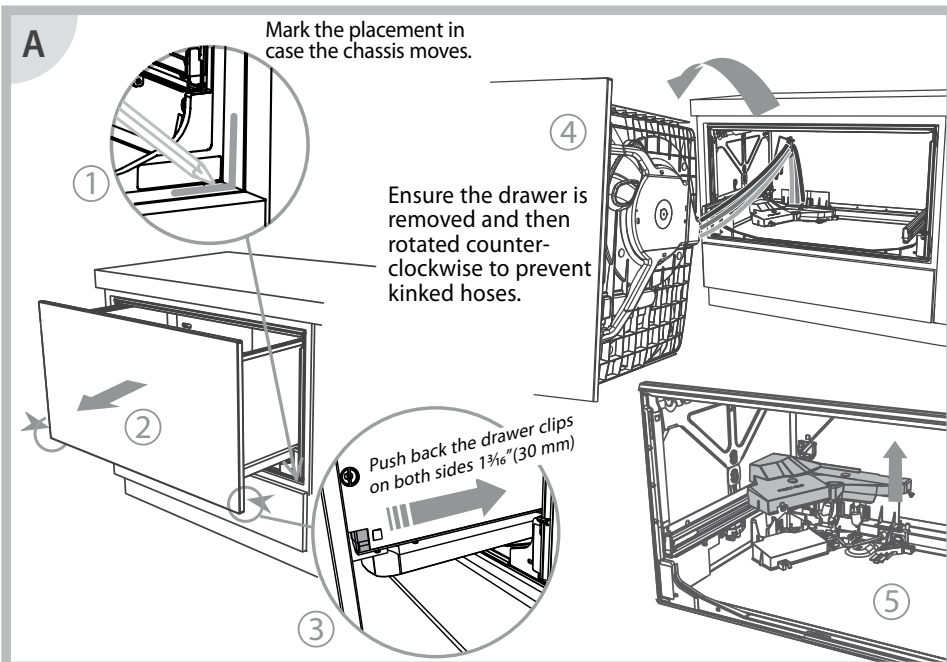
Max. distance of hoses and cord from chassis edge	Left hand side	Right hand side
Drain hose	78 1/2" (2000 mm)	59 1/16" (1500 mm)
Inlet hose	64 3/4" (1650 mm)	37 3/8" (950 mm)
Power cord (excl. plug)	29 1/2" (750 mm)	15 3/4" (400 mm)



Important!
Adjacent cabinetry must not extend above cavity base

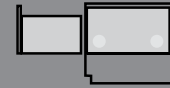
110-120 VAC / 7 A

6 OPTIONALLY HARD WIRING THE PRODUCT



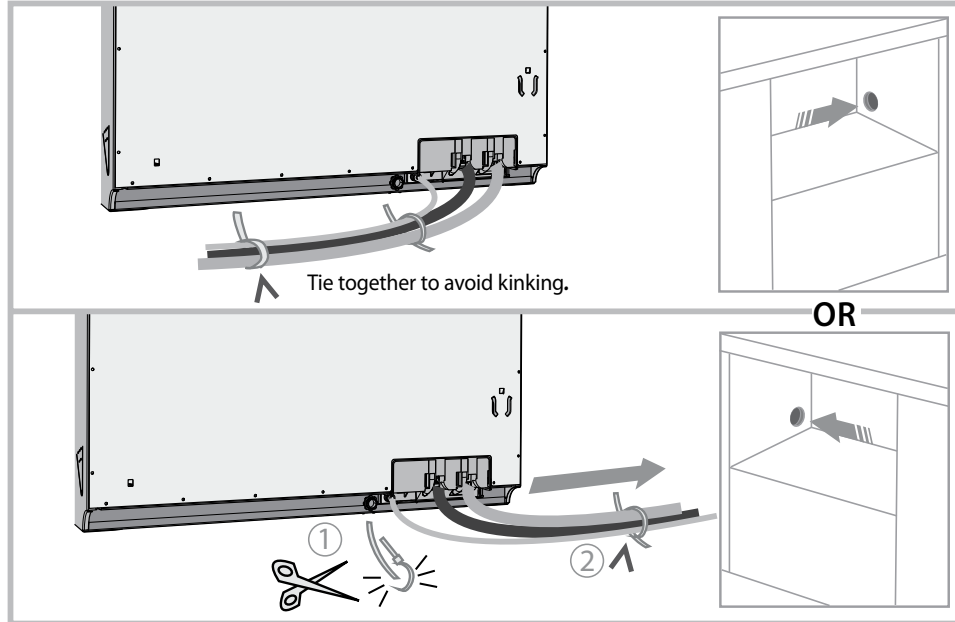


RECOMMENDED METHOD - SECURE WITHOUT DRAWER REMOVAL (FRAMELESS CABINETRY ONLY)

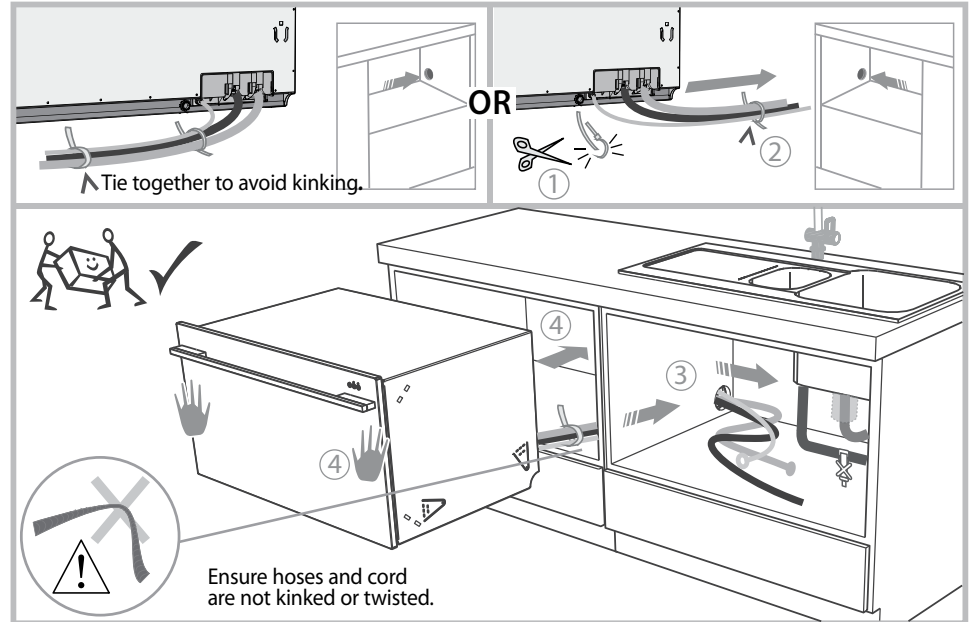


ALTERNATIVE METHOD - SECURE BY DRAWER REMOVAL

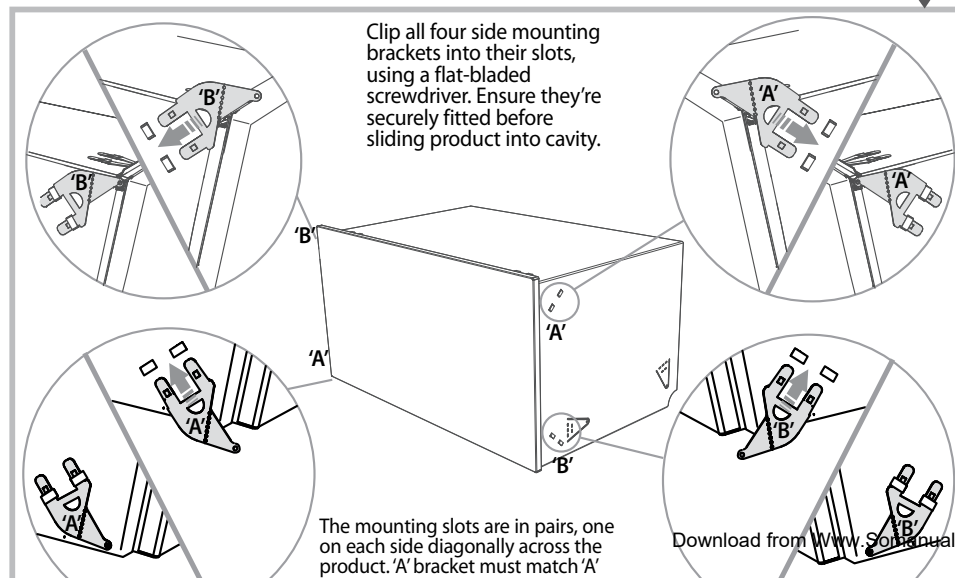
7 ROUTE HOSES & POWER CORD



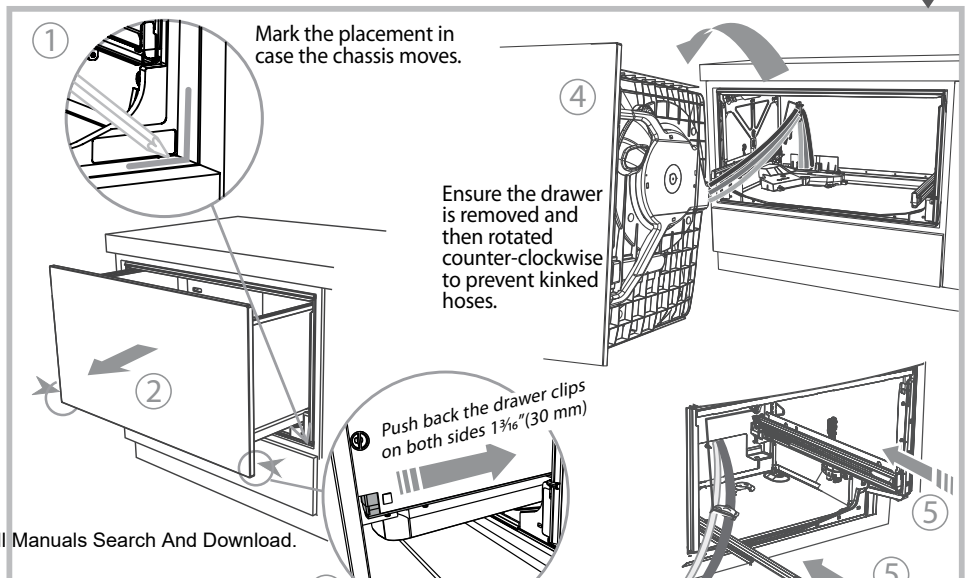
7 ROUTE HOSES & POWER CORD & MOVE INTO CAVITY



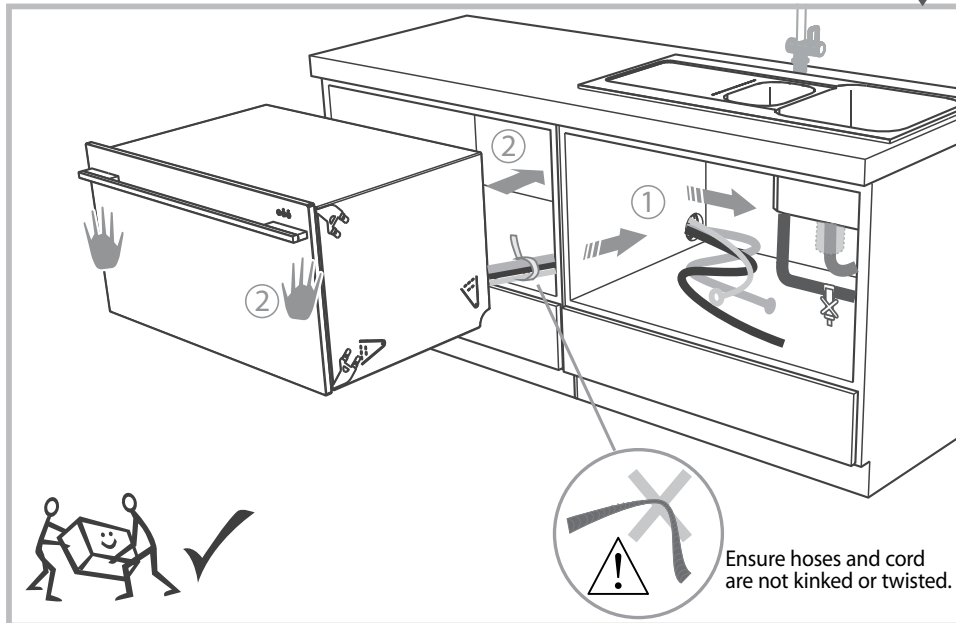
8 ATTACH SIDE MOUNTING BRACKETS



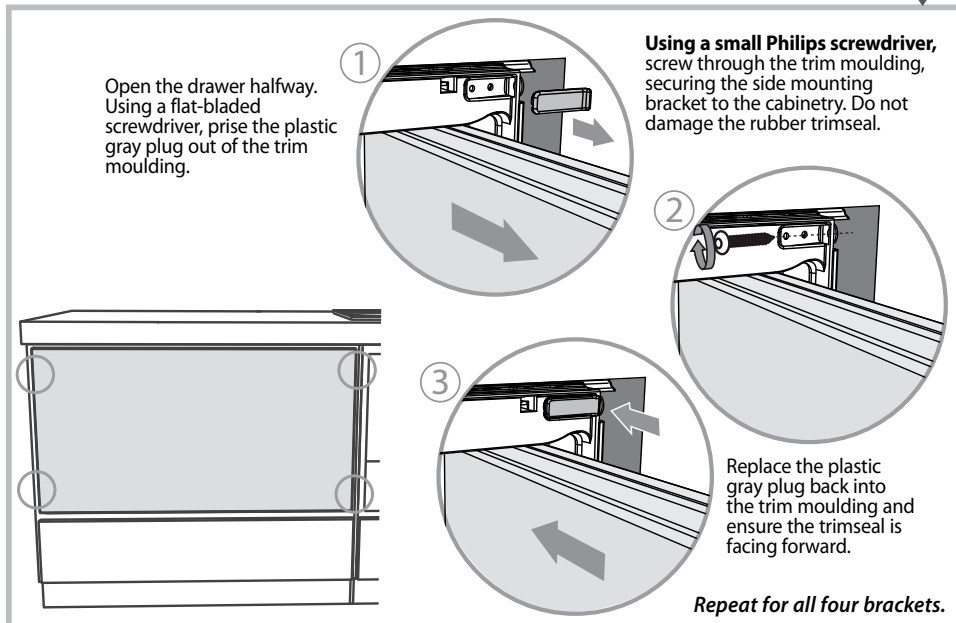
8 REMOVE DRAWER



9 MOVE INTO THE CAVITY



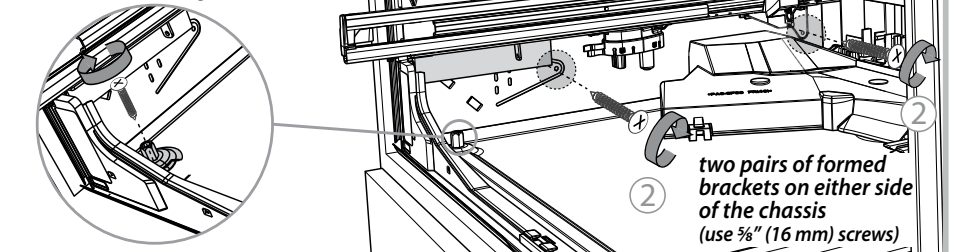
10 SECURE THE DRAWER



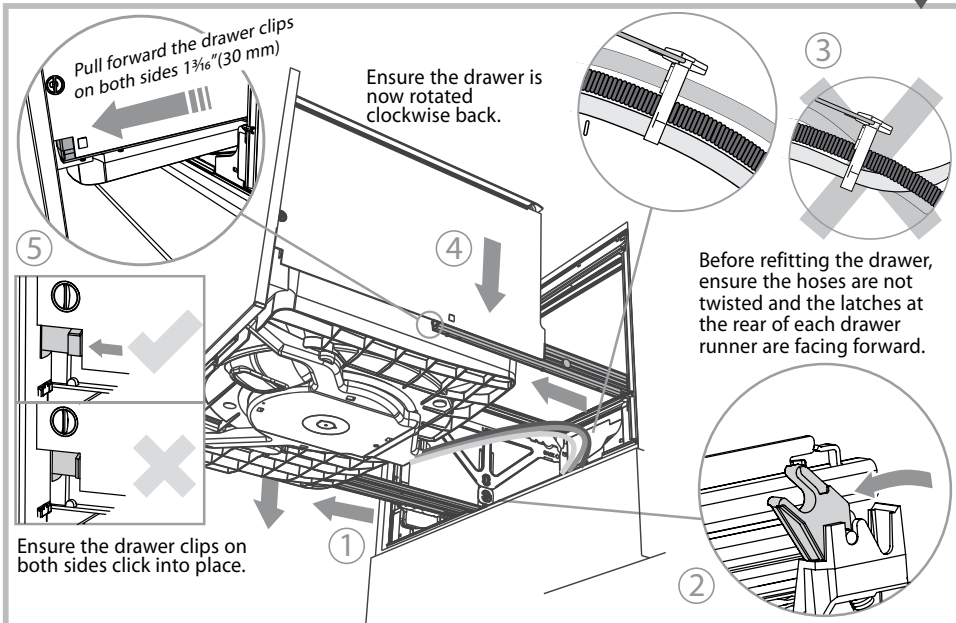
9 SECURE THE DRAWER

The product has three pairs of fixing points:
(Refer to 4 for relevant parts)

a pair of fixing holes either side on the bottom
(use 1½" (38 mm) fixing screws & washers)



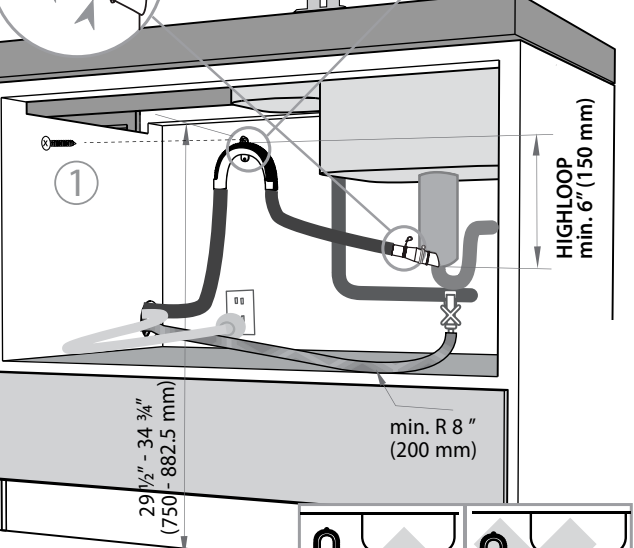
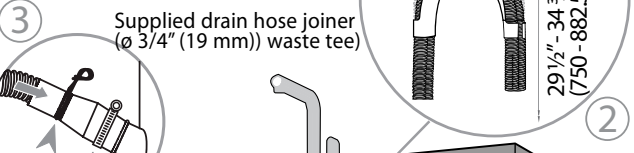
10 REFIT THE DRAWER



11 PLUMBING AND DRAINAGE OPTIONS

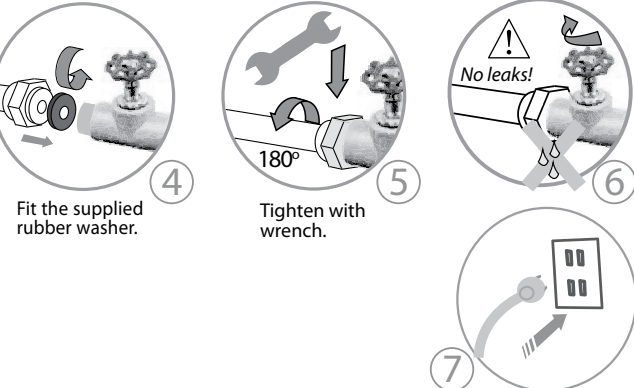
A DishDrawer® with Waste Disposal

If space is limited for fixing, push hose through drain hose support to required height



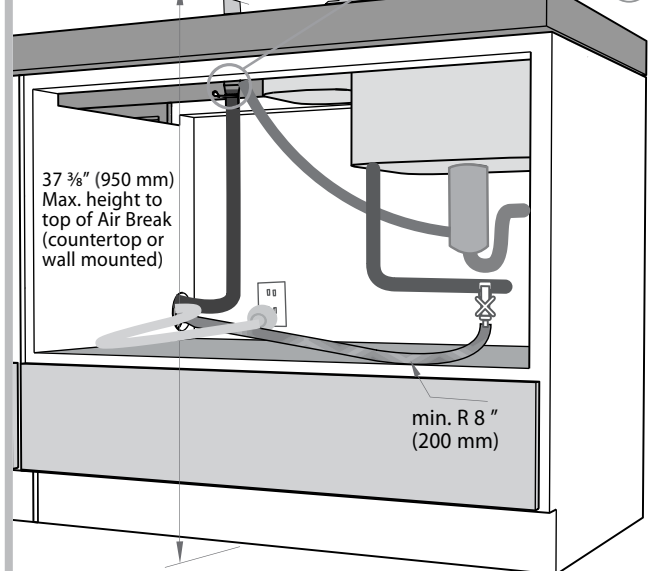
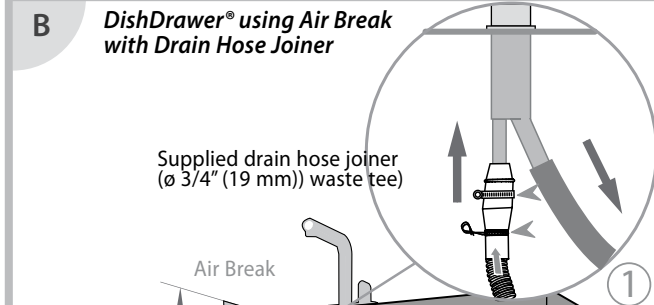
Ensure drain hose is routed straight to joiner. Remove excess drain hose material if necessary. Do not shorten the inlet hose.

Connect the Inlet Hose



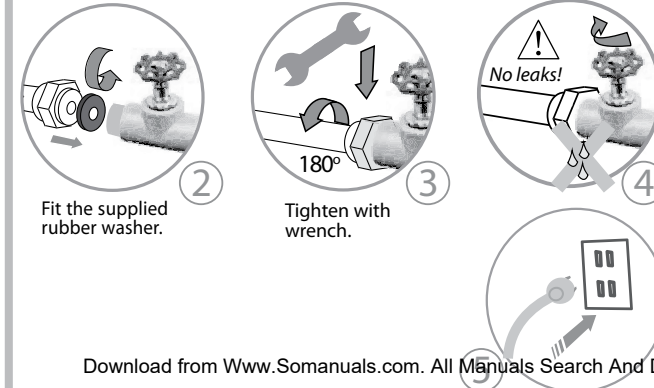
B DishDrawer® using Air Break with Drain Hose Joiner

Supplied drain hose joiner (ø 3/4" (19 mm)) waste tee



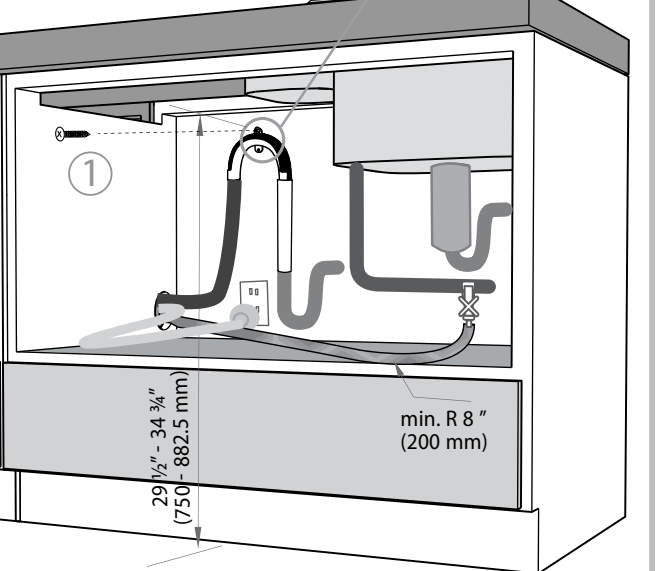
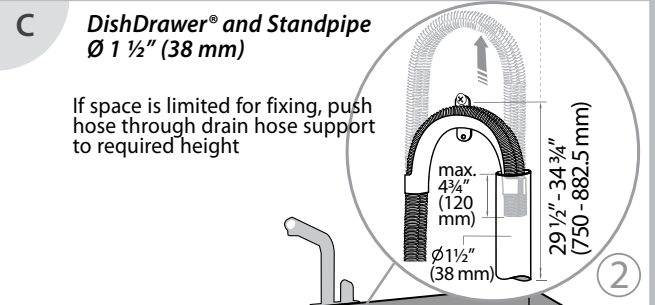
Ensure drain hose is routed straight to joiner. Remove excess drain hose material if necessary. Do not shorten the inlet hose.

Connect the Inlet Hose

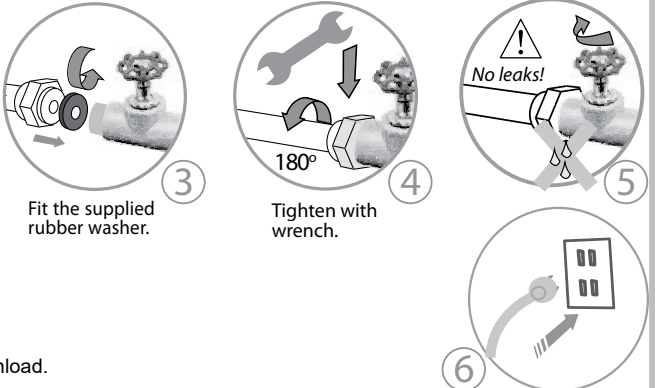


C DishDrawer® and Standpipe Ø 1 1/2" (38 mm)

If space is limited for fixing, push hose through drain hose support to required height



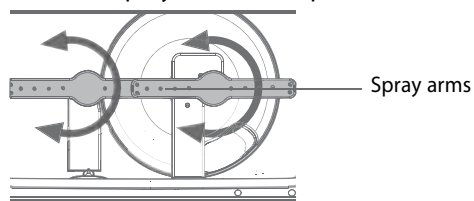
Connect the Inlet Hose



12 FINAL CHECKLIST



- Check all parts are installed.
- Ensure product is level, securely fastened to the cabinetry and opens and closes freely. The DishDrawer® must be free to fully close with no resistance from the cabinetry.
- Ensure inlet hose to water supply has supplied rubber washer fitted, and that it's tightened a further half turn after seal contact.
- Ensure any knockouts or plugs in drain connection have been drilled out and drain connection has been made.
- The drain hose joiner must not support the weight of excess hose material. Keep drain hose as fully extended as possible to prevent sagging. Any excess length of drain hose should be kept on the DishDrawer® side of the highloop.
- If using Plumbing and Drainage OPTION A, ensure the Highloop is a minimum 6" (150 mm) higher than the drain hose joiner.
- Turn on the power and water supply. Then press the Power (⏻) button to turn the DishDrawer® on. The DishDrawer® should beep and Wash Programme lights light up.
- Check the spray arms are in place and free to rotate.



- Add three cups of water into the DishDrawer®. On the Wash Programme Selector Panel press Rinse and close the drawer. Start the programme by pressing the Start/Pause (▶||) button.
- After the Rinse programme has finished, ensure machine has run and drained correctly.
- Check water supply and drainage connection for leakage.

13 TROUBLESHOOTING

- **Excessive water remaining above the filter plate, after the rinse cycle**
Check for a kinked drain hose or blocked waste connection, highloop not properly installed or drain hose not routed correctly.
- **No water supply**
Check water is connected, turned on and the spray arms are correctly fitted and free to rotate.
- **No lights come on when the drawer is opened**
Ensure power is connected and is switched on. Check if Auto Power option is on. See the user guide for information.
- **Water around water supply and drainage connections**
Check connections, existing plumbing and hoses for leaks. Check rubber washer and hose clamp are correctly fitted.
- **If product is tipping**
Ensure the product is secured to the cabinetry.
- **If front panel is misaligned with front of adjacent cabinetry**
Check and relevel product. Check the cabinetry is square. If front panel is still misaligned, see separate sheet (supplied) for instructions on adjusting it (Prefinished models only).
- **Drawer doesn't close properly**
Ensure nothing is obstructing the drawer from closing properly eg sound insulation, hoses or drawer latches.
- If a problem occurs, consult the Troubleshooting section of the User guide.
- If after checking these points you still need assistance, please refer to the Service & Warranty book for warranty details and your nearest Authorized Service Center, or contact us through our website, listed below.

Free Manuals Download Website

<http://myh66.com>

<http://usermanuals.us>

<http://www.somanuals.com>

<http://www.4manuals.cc>

<http://www.manual-lib.com>

<http://www.404manual.com>

<http://www.luxmanual.com>

<http://aubethermostatmanual.com>

Golf course search by state

<http://golfingnear.com>

Email search by domain

<http://emailbydomain.com>

Auto manuals search

<http://auto.somanuals.com>

TV manuals search

<http://tv.somanuals.com>